

## LM833 Dual Audio Operational Amplifier

### General Description

The LM833 is a dual general purpose operational amplifier designed with particular emphasis on performance in audio systems.

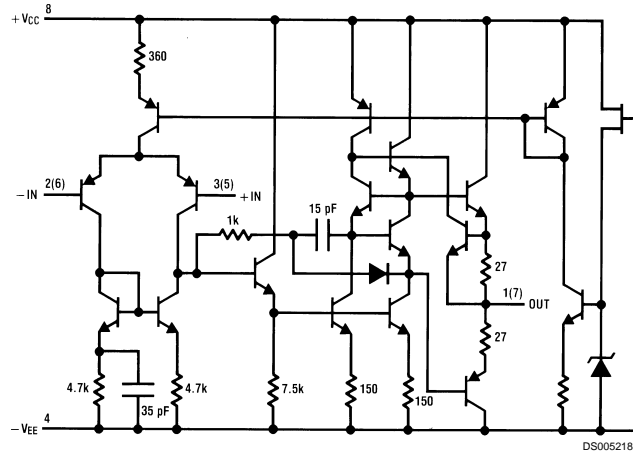
This dual amplifier IC utilizes new circuit and processing techniques to deliver low noise, high speed and wide bandwidth without increasing external components or decreasing stability. The LM833 is internally compensated for all closed loop gains and is therefore optimized for all preamp and high level stages in PCM and HiFi systems.

The LM833 is pin-for-pin compatible with industry standard dual operational amplifiers.

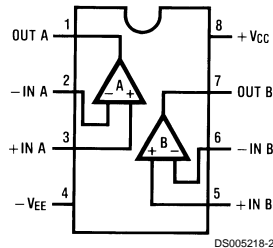
### Features

- Wide dynamic range: 140dB
- Low input noise voltage: 4.5nV/√Hz
- High slew rate: 7 V/μs (typ); 5V/μs (min)
- High gain bandwidth: 15MHz (typ); 10MHz (min)
- Wide power bandwidth: 120KHz
- Low distortion: 0.002%
- Low offset voltage: 0.3mV
- Large phase margin: 60°
- Available in 8 pin MSOP package

### Schematic Diagram (1/2 LM833)



### Connection Diagram



Order Number LM833M, LM833N or LM833MM  
See NS Package Number  
M08A, N08E or MUA08A

### Absolute Maximum Ratings (Note 1)

If Military/Aerospace specified devices are required, please contact the National Semiconductor Sales Office/Distributors for availability and specifications.

Supply Voltage $V_{CC}-V_{EE}$	36V
Differential Input Voltage (Note 3) $V_I$	$\pm 30V$
Input Voltage Range (Note 3) $V_{IC}$	$\pm 15V$
Power Dissipation (Note 4) $P_D$	500 mW
Operating Temperature Range $T_{OPR}$	$-40 \sim 85^\circ C$
Storage Temperature Range $T_{STG}$	$-60 \sim 150^\circ C$

### Soldering Information

Dual-In-Line Package Soldering (10 seconds)	260°C
Small Outline Package (SOIC and MSOP)	
Vapor Phase (60 seconds)	215°C
Infrared (15 seconds)	220°C
See AN-450 "Surface Mounting Methods and Their Effect on Product Reliability" for other methods of soldering surface mount devices.	
ESD tolerance (Note 5)	1600V

### DC Electrical Characteristics (Notes 1, 2)

( $T_A = 25^\circ C$ ,  $V_S = \pm 15V$ )

Symbol	Parameter	Conditions	Min	Typ	Max	Units
$V_{OS}$	Input Offset Voltage	$R_S = 10\Omega$		0.3	5	mV
$I_{OS}$	Input Offset Current			10	200	nA
$I_B$	Input Bias Current			500	1000	nA
$A_V$	Voltage Gain	$R_L = 2\text{ k}\Omega$ , $V_O = \pm 10V$	90	110		dB
$V_{OM}$	Output Voltage Swing	$R_L = 10\text{ k}\Omega$ $R_L = 2\text{ k}\Omega$	$\pm 12$ $\pm 10$	$\pm 13.5$ $\pm 13.4$		V
$V_{CM}$	Input Common-Mode Range		$\pm 12$	$\pm 14.0$		V
CMRR	Common-Mode Rejection Ratio	$V_{IN} = \pm 12V$	80	100		dB
PSRR	Power Supply Rejection Ratio	$V_S = 15 \sim 5V$ , $-15 \sim -5V$	80	100		dB
$I_Q$	Supply Current	$V_O = 0V$ , Both Amps		5	8	mA

### AC Electrical Characteristics

( $T_A = 25^\circ C$ ,  $V_S = \pm 15V$ ,  $R_L = 2\text{ k}\Omega$ )

Symbol	Parameter	Conditions	Min	Typ	Max	Units
SR	Slew Rate	$R_L = 2\text{ k}\Omega$	5	7		V/ $\mu s$
GBW	Gain Bandwidth Product	$f = 100\text{ kHz}$	10	15		MHz

### Design Electrical Characteristics

( $T_A = 25^\circ C$ ,  $V_S = \pm 15V$ )

The following parameters are not tested or guaranteed.

Symbol	Parameter	Conditions	Typ	Units
$\Delta V_{OS}/\Delta T$	Average Temperature Coefficient of Input Offset Voltage		2	$\mu V/^\circ C$
THD	Distortion	$R_L = 2\text{ k}\Omega$ , $f = 20 \sim 20\text{ kHz}$ $V_{OUT} = 3\text{ V}_{rms}$ , $A_V = 1$	0.002	%
$e_n$	Input Referred Noise Voltage	$R_S = 100\Omega$ , $f = 1\text{ kHz}$	4.5	$nV/\sqrt{Hz}$
$i_n$	Input Referred Noise Current	$f = 1\text{ kHz}$	0.7	$pA/\sqrt{Hz}$
PBW	Power Bandwidth	$V_O = 27\text{ V}_{pp}$ , $R_L = 2\text{ k}\Omega$ , THD $\leq 1\%$	120	kHz
$f_U$	Unity Gain Frequency	Open Loop	9	MHz
$\phi_M$	Phase Margin	Open Loop	60	deg
	Input Referred Cross Talk	$f = 20 \sim 20\text{ kHz}$	-120	dB

## Design Electrical Characteristics (Continued)

**Note 1:** *Absolute Maximum Ratings* indicate limits beyond which damage to the device may occur. *Operating Ratings* indicate conditions for which the device is functional, but do not guarantee specific performance limits. *Electrical Characteristics* state DC and AC electrical specifications under particular test conditions which guarantee specific performance limits. This assumes that the device is within the Operating Ratings. Specifications are not guaranteed for parameters where no limit is given, however, the typical value is a good indication of device performance.

**Note 2:** All voltages are measured with respect to the ground pin, unless otherwise specified.

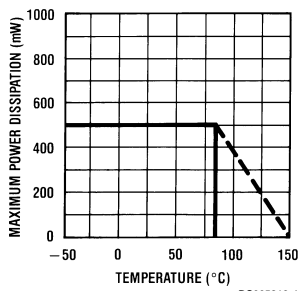
**Note 3:** If supply voltage is less than  $\pm 15V$ , it is equal to supply voltage.

**Note 4:** This is the permissible value at  $T_A \leq 85^\circ C$ .

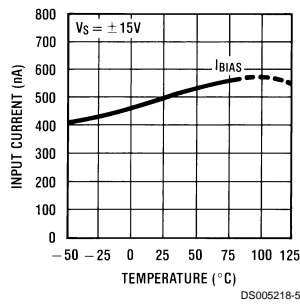
**Note 5:** Human body model, 1.5 k $\Omega$  in series with 100 pF.

## Typical Performance Characteristics

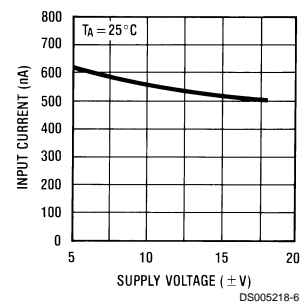
**Maximum Power Dissipation vs Ambient Temperature**



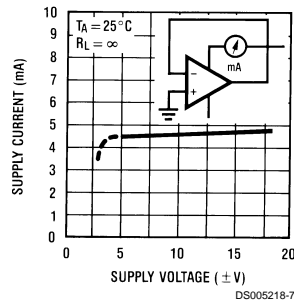
**Input Bias Current vs Ambient Temperature**



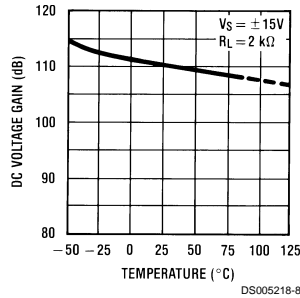
**Input Bias Current vs Supply Voltage**



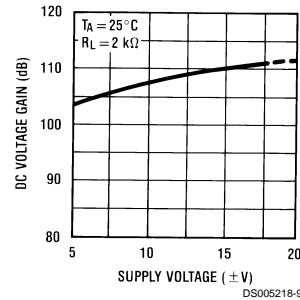
**Supply Current vs Supply Voltage**



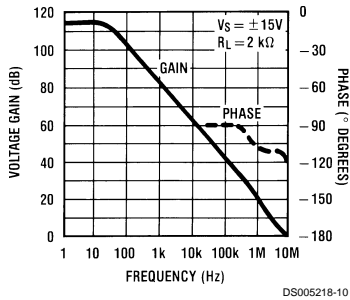
**DC Voltage Gain vs Ambient Temperature**



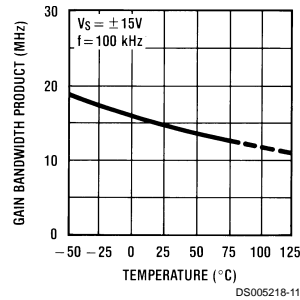
**DC Voltage Gain vs Supply Voltage**



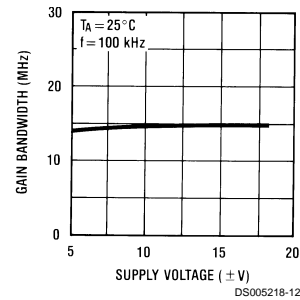
**Voltage Gain & Phase vs Frequency**



**Gain Bandwidth Product vs Ambient Temperature**

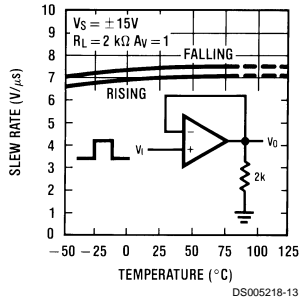


**Gain Bandwidth vs Supply Voltage**

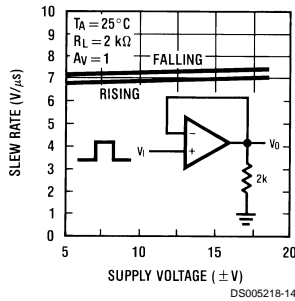


## Typical Performance Characteristics (Continued)

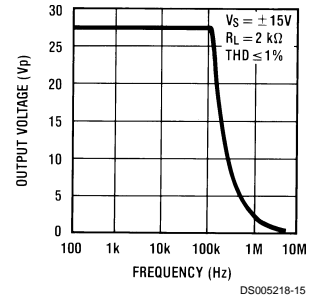
**Slew Rate vs Ambient Temperature**



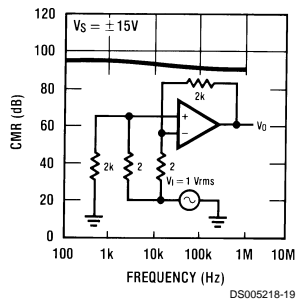
**Slew Rate vs Supply Voltage**



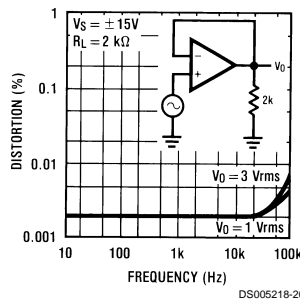
**Power Bandwidth**



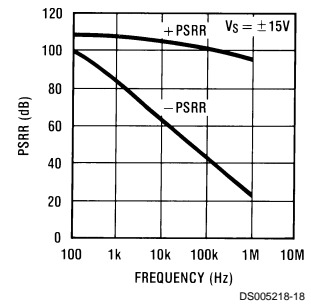
**CMR vs Frequency**



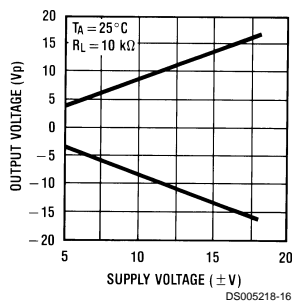
**Distortion vs Frequency**



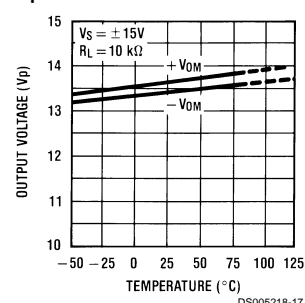
**PSRR vs Frequency**



**Maximum Output Voltage vs Supply Voltage**

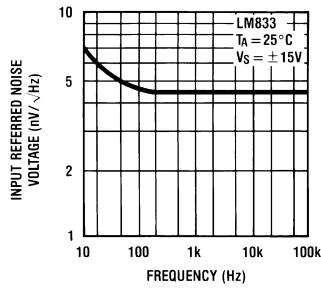


**Maximum Output Voltage vs Ambient Temperature**



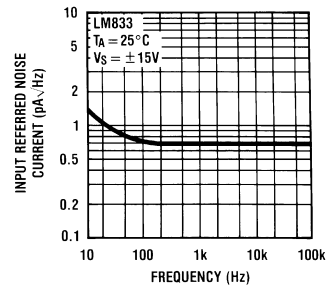
## Typical Performance Characteristics (Continued)

**Spot Noise Voltage vs Frequency**



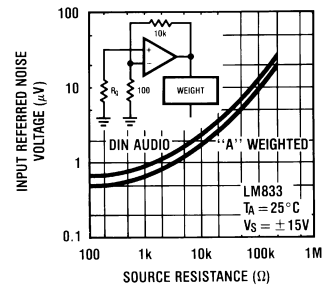
DS005218-21

**Spot Noise Current vs Frequency**



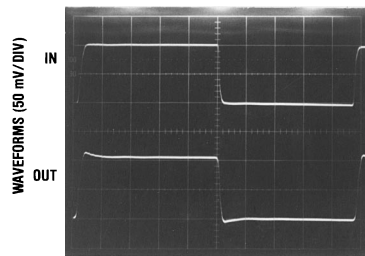
DS005218-22

**Input Referred Noise Voltage vs Source Resistance**



DS005218-23

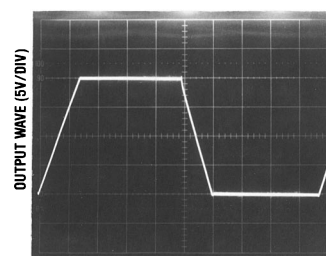
**Noninverting Amp**



TIME (0.2  $\mu$ s/DIV)

DS005218-24

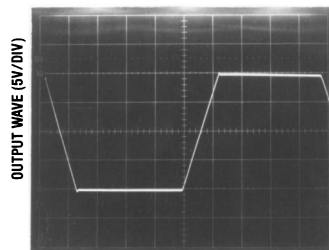
**Noninverting Amp**



TIME (2  $\mu$ s/DIV)

DS005218-25

**Inverting Amp**



TIME (2  $\mu$ s/DIV)

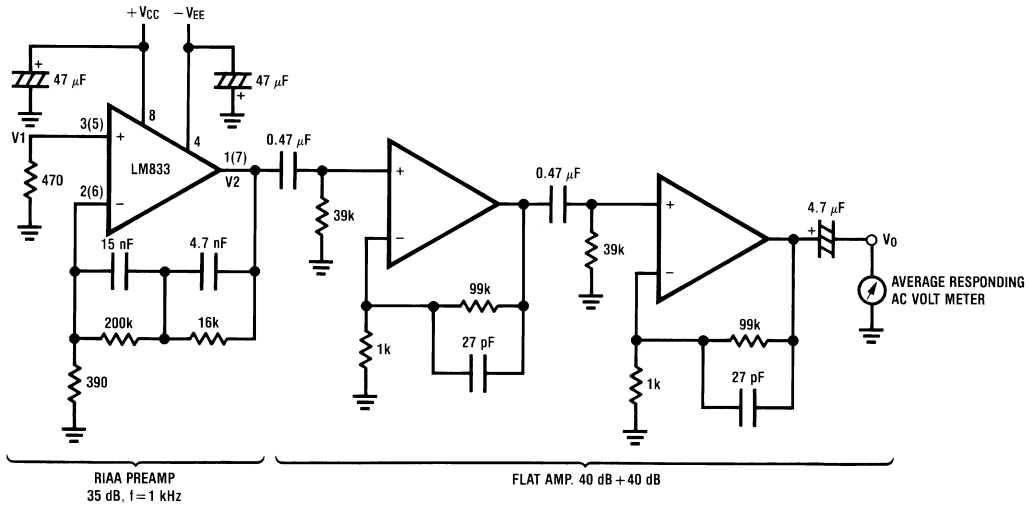
DS005218-26

## Application Hints

The LM833 is a high speed op amp with excellent phase margin and stability. Capacitive loads up to 50 pF will cause little change in the phase characteristics of the amplifiers and are therefore allowable.

Capacitive loads greater than 50 pF must be isolated from the output. The most straightforward way to do this is to put a resistor in series with the output. This resistor will also prevent excess power dissipation if the output is accidentally shorted.

## Noise Measurement Circuit

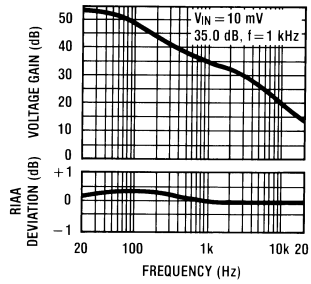


DS005218-27

Complete shielding is required to prevent induced pick up from external sources. Always check with oscilloscope for power line noise.

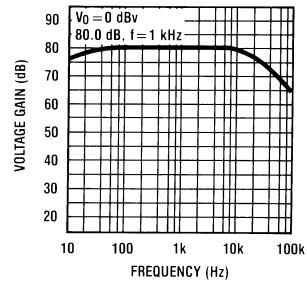
**Total Gain: 115 dB @f = 1 kHz**  
**Input Referred Noise Voltage:  $e_n = V_0/560,000$  (V)**

**RIAA Preamp Voltage Gain, RIAA Deviation vs Frequency**



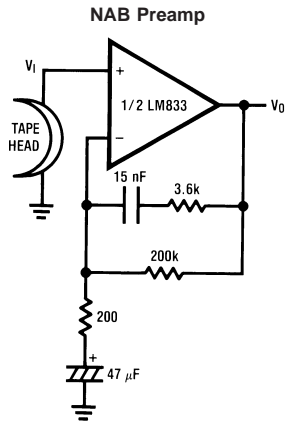
DS005218-28

**Flat Amp Voltage Gain vs Frequency**



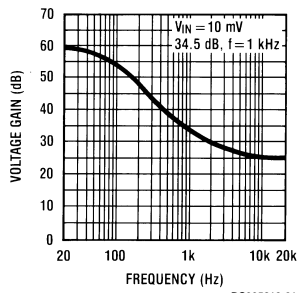
DS005218-29

## Typical Applications

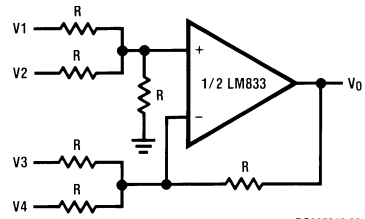


$A_V = 34.5$   
 $F = 1 \text{ kHz}$   
 $E_n = 0.38 \mu\text{V}$   
 A Weighted

**NAB Preamp Voltage Gain vs Frequency**

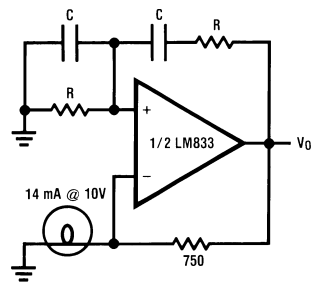


**Adder/Subtractor**



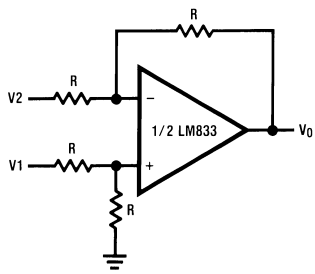
$$V_O = V_1 + V_2 - V_3 - V_4$$

**Sine Wave Oscillator**



$$f_o = \frac{1}{2\pi RC}$$

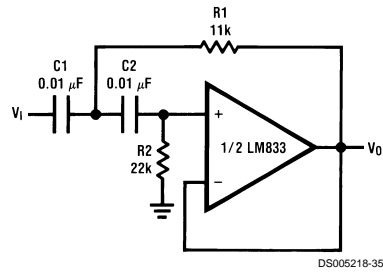
**Balanced to Single Ended Converter**



$$V_O = V_1 - V_2$$

## Typical Applications (Continued)

**Second Order High Pass Filter  
(Butterworth)**



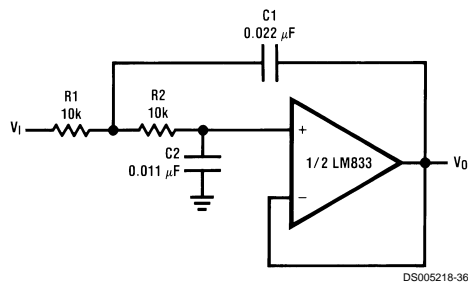
if  $C1 = C2 = C$

$$R1 = \frac{\sqrt{2}}{2\omega_0 C}$$

$$R2 = 2 \cdot R1$$

Illustration is  $f_0 = 1 \text{ kHz}$

**Second Order Low Pass Filter  
(Butterworth)**



if  $R1 = R2 = R$

$$C1 = \frac{\sqrt{2}}{\omega_0 R}$$

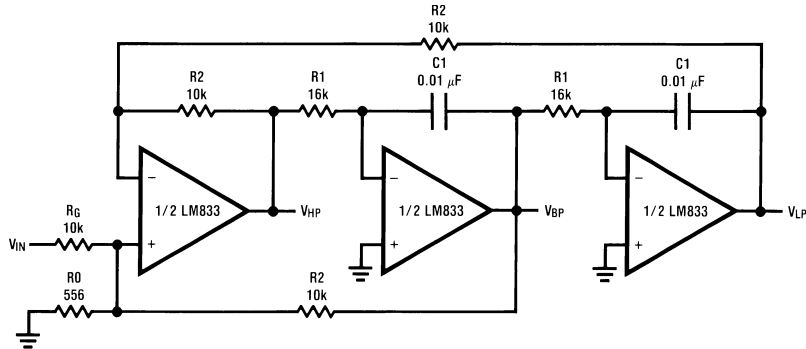
$$C2 = \frac{C1}{2}$$

Illustration is  $f_0 = 1 \text{ kHz}$



## Typical Applications (Continued)

### State Variable Filter

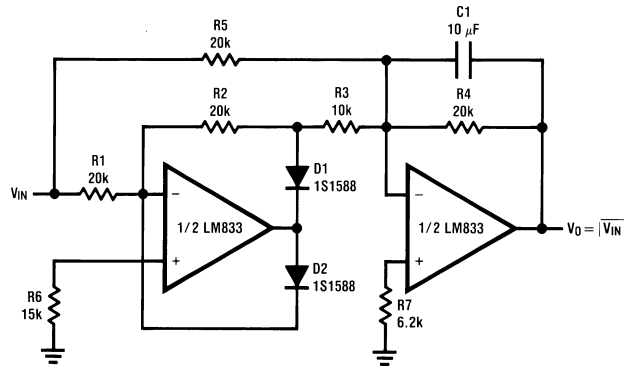


DS005218-37

$$f_0 = \frac{1}{2\pi C_1 R_1}, Q = \frac{1}{2} \left( 1 + \frac{R_2}{R_0} + \frac{R_2}{R_G} \right), A_{BP} = Q A_{LP} = Q A_{LH} = \frac{R_2}{R_G}$$

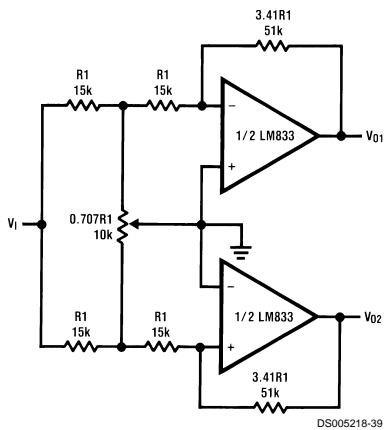
Illustration is  $f_0 = 1$  kHz,  $Q = 10$ ,  $A_{BP} = 1$

### AC/DC Converter



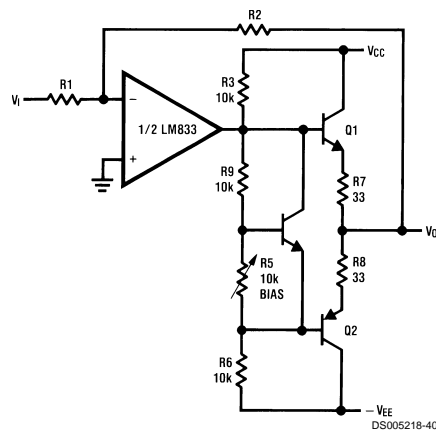
DS005218-38

### 2 Channel Panning Circuit (Pan Pot)



DS005218-39

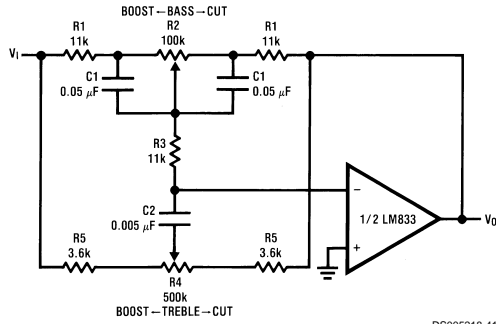
### Line Driver



DS005218-40

## Typical Applications (Continued)

### Tone Control



DS005218-41

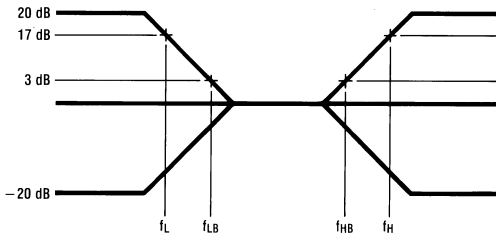
$$f_L = \frac{1}{2\pi R_2 C_1}, f_{LB} = \frac{1}{2\pi R_1 C_1}$$

$$f_H = \frac{1}{2\pi R_5 C_2}, f_{HB} = \frac{1}{2\pi(R_1 + R_5 + 2R_3)C_2}$$

Illustration is:

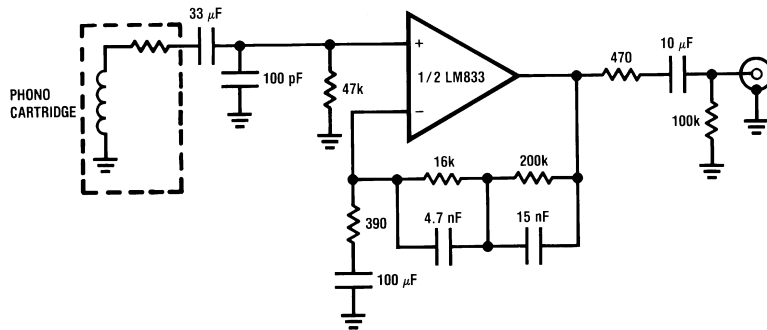
$$f_L = 32 \text{ Hz}, f_{LB} = 320 \text{ Hz}$$

$$f_H = 11 \text{ kHz}, f_{HB} = 1.1 \text{ kHz}$$



DS005218-42

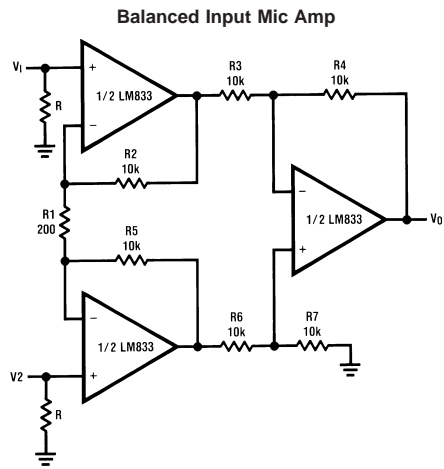
### RIAA Preamp



DS005218-3

$A_v = 35 \text{ dB}$   
 $E_n = 0.33 \mu\text{V}$   
 $S/N = 90 \text{ dB}$   
 $f = 1 \text{ kHz}$   
 A Weighted  
 A Weighted,  $V_{IN} = 10 \text{ mV}$   
 $@f = 1 \text{ kHz}$

## Typical Applications (Continued)



DS005218-43

If  $R2 = R5, R3 = R6, R4 = R7$

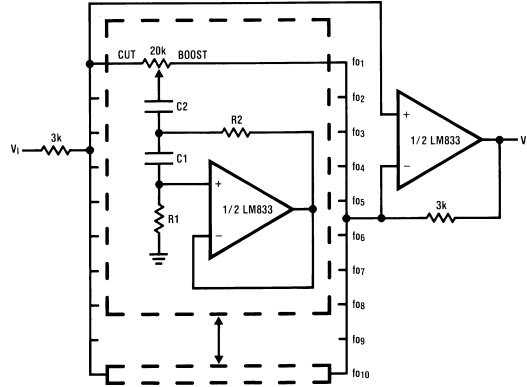
$$V_0 = \left(1 + \frac{2R_2}{R_1}\right) \frac{R_4}{R_3} (V_2 - V_1)$$

Illustration is:

$$V_0 = 101(V_2 - V_1)$$

## Typical Applications (Continued)

### 10 Band Graphic Equalizer



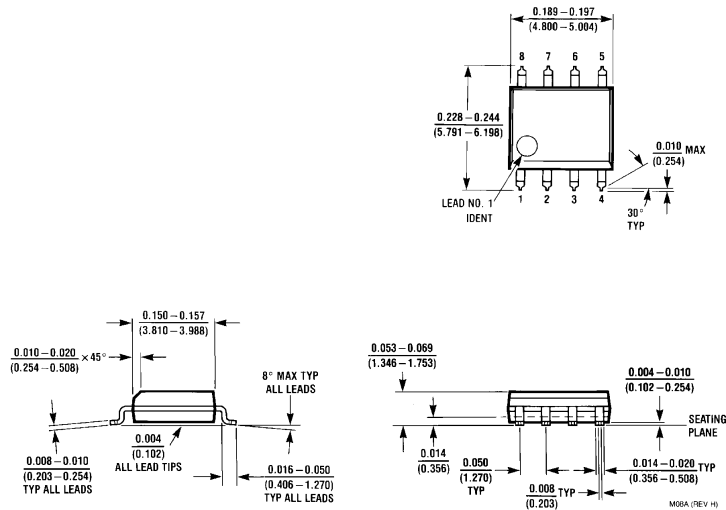
DS005218-44

fo(Hz)	C <sub>1</sub>	C <sub>2</sub>	R <sub>1</sub>	R <sub>2</sub>
32	0.12μF	4.7μF	75kΩ	500Ω
64	0.056μF	3.3μF	68kΩ	510Ω
125	0.033μF	1.5μF	62kΩ	510Ω
250	0.015μF	0.82μF	68kΩ	470Ω
500	8200pF	0.39μF	62kΩ	470Ω
1k	3900pF	0.22μF	68kΩ	470Ω
2k	2000pF	0.1μF	68kΩ	470Ω
4k	1100pF	0.056μF	62kΩ	470Ω
8k	510pF	0.022μF	68kΩ	510Ω
16k	330pF	0.012μF	51kΩ	510Ω

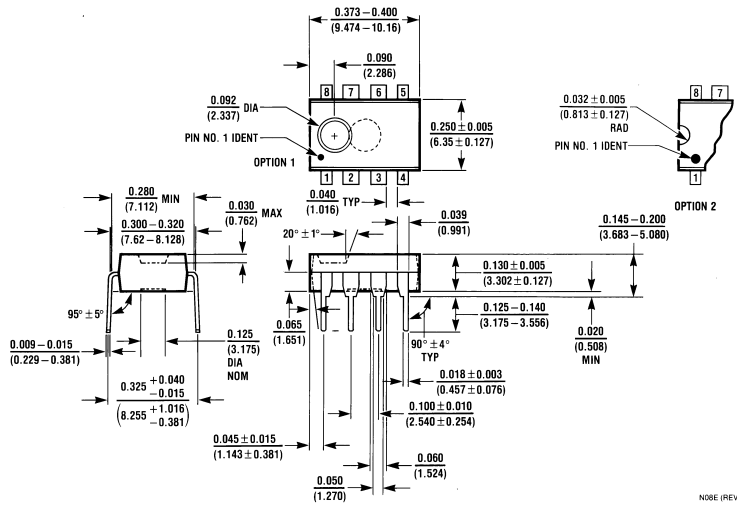
**Note 6:** At volume of change = ±12 dB  
Q = 1.7

Reference: "AUDIO/RADIO HANDBOOK", National Semiconductor, 1980, Page 2-61

**Physical Dimensions** inches (millimeters) unless otherwise noted

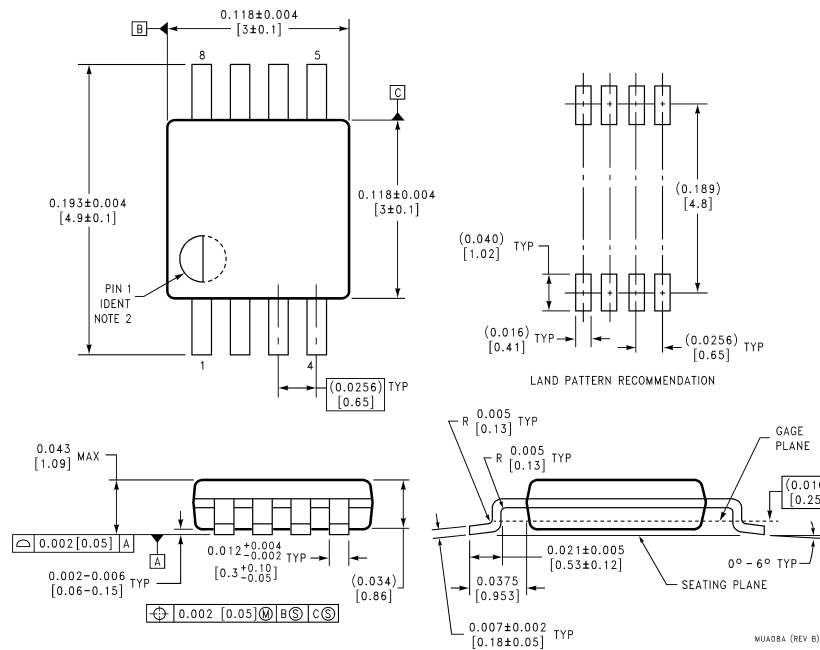


**Molded Small Outline Package (M)**  
**Order Number LM833M**  
**NS Package Number M08A**



**Molded Dual-In-Line Package (N)**  
**Order Number LM833N**  
**NS Package Number N08E**

**Physical Dimensions** inches (millimeters) unless otherwise noted (Continued)



**8-Lead (0.118" Wide) Molded Mini Small Outline Package**  
**Order Number LM833MM**  
**NS Package Number MUA08A**

**LIFE SUPPORT POLICY**

NATIONAL'S PRODUCTS ARE NOT AUTHORIZED FOR USE AS CRITICAL COMPONENTS IN LIFE SUPPORT DEVICES OR SYSTEMS WITHOUT THE EXPRESS WRITTEN APPROVAL OF THE PRESIDENT AND GENERAL COUNSEL OF NATIONAL SEMICONDUCTOR CORPORATION. As used herein:

1. Life support devices or systems are devices or systems which, (a) are intended for surgical implant into the body, or (b) support or sustain life, and whose failure to perform when properly used in accordance with instructions for use provided in the labeling, can be reasonably expected to result in a significant injury to the user.
2. A critical component is any component of a life support device or system whose failure to perform can be reasonably expected to cause the failure of the life support device or system, or to affect its safety or effectiveness.



**National Semiconductor Corporation**  
 Americas  
 Tel: 1-800-272-9959  
 Fax: 1-800-737-7018  
 Email: support@nsc.com

**National Semiconductor Europe**  
 Fax: +49 (0) 1 80-530 85 86  
 Email: europe.support@nsc.com  
 Deutsch Tel: +49 (0) 1 80-530 85 85  
 English Tel: +49 (0) 1 80-532 78 32  
 Français Tel: +49 (0) 1 80-532 93 58  
 Italiano Tel: +49 (0) 1 80-534 16 80

**National Semiconductor Asia Pacific Customer Response Group**  
 Tel: 65-2544466  
 Fax: 65-2504466  
 Email: sea.support@nsc.com

**National Semiconductor Japan Ltd.**  
 Tel: 81-3-5639-7560  
 Fax: 81-3-5639-7507

www.national.com