



## Software Chip Erase (for AT29 Series Flash Family)

The entire device can be erased at one time by using a 6-byte software code. The software chip erase code consists of 6-byte load commands to specific address locations with specific data patterns. Once the code has been entered, the device will set each byte to the high state (FFH). After the software chip erase has been initiated, the device will

internally time the erase operation so that no external clocks are required. The maximum time required to erase the whole chip is  $t_{EC}$  (20 ms). The software data protection is still enabled even after the software chip erase is performed. If the boot block lockout feature has been enabled, the 6-byte software chip erase algorithm will not function.

### Flash Programmable Erasable ROM

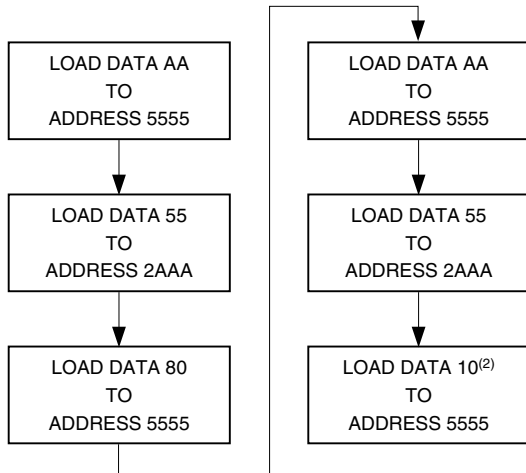
### Application Note (AN-2)

#### Chip Erase Cycle Characteristics

Symbol	Parameter	
$t_{EC}$	Chip Erase Cycle Time	20 ms Max

Note: 1. Please refer to individual data sheets for the minimum and maximum values of the  $t_{AS}$ ,  $t_{AH}$ ,  $t_{DS}$ ,  $t_{DH}$ ,  $t_{WP}$ ,  $t_{BLC}$ , and  $t_{WPH}$  parameters.

#### Chip Erase Software Algorithm<sup>(1)(3)</sup>

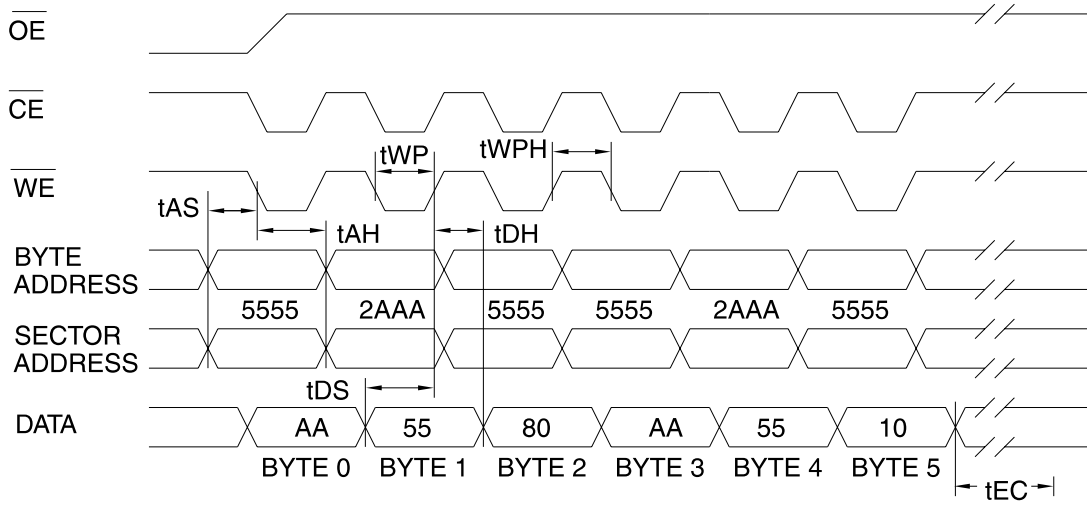


Notes for software program code:

1. Data Format: (Hex);  
Address Format: (Hex).
2. After loading the 6-byte code, no byte loads are allowed until the completion of the erase cycle. The erase cycle will time itself to completion in 20 ms (max).
3. The flow diagram shown is for a x8 part. For a x16 part, the data should be 16 bits long (e.g., the data to be loaded should be AAAA for step 1 in the algorithm).



## Chip Erase Cycle Waveforms



Note: 1.  $\overline{OE}$  must be high only when  $\overline{WE}$  and  $\overline{CE}$  are both low.



## **Atmel Headquarters**

### *Corporate Headquarters*

2325 Orchard Parkway  
San Jose, CA 95131  
TEL (408) 441-0311  
FAX (408) 487-2600

### *Europe*

Atmel U.K., Ltd.  
Coliseum Business Centre  
Riverside Way  
Camberley, Surrey GU15 3YL  
England  
TEL (44) 1276-686677  
FAX (44) 1276-686697

### *Asia*

Atmel Asia, Ltd.  
Room 1219  
Chinachem Golden Plaza  
77 Mody Road  
Tsimshatsui East  
Kowloon, Hong Kong  
TEL (852) 27219778  
FAX (852) 27221369

### *Japan*

Atmel Japan K.K.  
Tonetsu Shinkawa Bldg., 9F  
1-24-8 Shinkawa  
Chuo-ku, Tokyo 104-0033  
Japan  
TEL (81) 3-3523-3551  
FAX (81) 3-3523-7581

## **Atmel Operations**

### *Atmel Colorado Springs*

1150 E. Cheyenne Mtn. Blvd.  
Colorado Springs, CO 80906  
TEL (719) 576-3300  
FAX (719) 540-1759

### *Atmel Rousset*

Zone Industrielle  
13106 Rousset Cedex, France  
TEL (33) 4 42 53 60 00  
FAX (33) 4 42 53 60 01

---

### *Fax-on-Demand*

North America:  
1-(800) 292-8635  
International:  
1-(408) 441-0732

### *e-mail*

[literature@atmel.com](mailto:literature@atmel.com)

### *Web Site*

<http://www.atmel.com>

### *BBS*

1-(408) 436-4309

### **© Atmel Corporation 1998.**

Atmel Corporation makes no warranty for the use of its products, other than those expressly contained in the Company's standard warranty which is detailed in Atmel's Terms and Conditions located on the Company's website. The Company assumes no responsibility for any errors which may appear in this document, reserves the right to change devices or specifications detailed herein at any time without notice, and does not make any commitment to update the information contained herein. No licenses to patents or other intellectual property of Atmel are granted by the Company in connection with the sale of Atmel products, expressly or by implication. Atmel's products are not authorized for use as critical components in life support devices or systems.

Marks bearing ® and/or ™ are registered trademarks and trademarks of Atmel Corporation.

Terms and product names in this document may be trademarks of others.



Printed on recycled paper.

0550B-10/98/xM