

## LM555/LM555C Timer

### General Description

The LM555 is a highly stable device for generating accurate time delays or oscillation. Additional terminals are provided for triggering or resetting if desired. In the time delay mode of operation, the time is precisely controlled by one external resistor and capacitor. For astable operation as an oscillator, the free running frequency and duty cycle are accurately controlled with two external resistors and one capacitor. The circuit may be triggered and reset on falling waveforms, and the output circuit can source or sink up to 200 mA or drive TTL circuits.

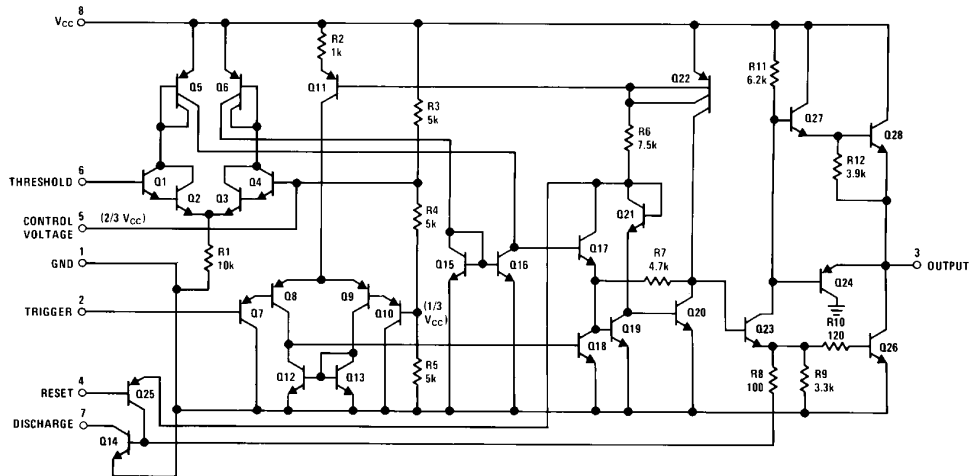
### Features

- Direct replacement for SE555/NE555
- Timing from microseconds through hours
- Operates in both astable and monostable modes
- Adjustable duty cycle
- Output can source or sink 200 mA
- Output and supply TTL compatible
- Temperature stability better than 0.005% per °C
- Normally on and normally off output
- Available in 8 pin MSOP package

### Applications

- Precision timing
- Pulse generation
- Sequential timing
- Time delay generation
- Pulse width modulation
- Pulse position modulation
- Linear ramp generator

### Schematic Diagram



DS007851-1

## Absolute Maximum Ratings (Note 2)

If Military/Aerospace specified devices are required, please contact the National Semiconductor Sales Office/Distributors for availability and specifications.

Supply Voltage	+18V
Power Dissipation (Note 3)	
LM555H, LM555CH	760 mW
LM555, LM555CN	1180 mW
LM555CMM	613 mW
Operating Temperature Ranges	
LM555C	0°C to +70°C
LM555	-55°C to +125°C

Storage Temperature Range -65°C to +150°C

### Soldering Information

Dual-In-Line Package	
Soldering (10 Seconds)	260°C
Small Outline Packages (SOIC and MSOP)	
Vapor Phase (60 Seconds)	215°C
Infrared (15 Seconds)	220°C

See AN-450 "Surface Mounting Methods and Their Effect on Product Reliability" for other methods of soldering surface mount devices.

## Electrical Characteristics (Notes 1, 2)

( $T_A = 25^\circ\text{C}$ ,  $V_{CC} = +5\text{V}$  to  $+15\text{V}$ , unless otherwise specified)

Parameter	Conditions	Limits						Units
		LM555			LM555C			
		Min	Typ	Max	Min	Typ	Max	
Supply Voltage		4.5		18	4.5		16	V
Supply Current	$V_{CC} = 5\text{V}$ , $R_L = \infty$ $V_{CC} = 15\text{V}$ , $R_L = \infty$ (Low State) (Note 4)		3 10	5 12		3 10	6 15	mA mA
Timing Error, Monostable								
Initial Accuracy	$R_A = 1\text{k}$ to $100\text{k}\Omega$ , $C = 0.1\ \mu\text{F}$ , (Note 5)		0.5			1		%
Drift with Temperature			30			50		ppm/°C
Accuracy over Temperature			1.5			1.5		%
Drift with Supply		0.05			0.1		%/V	
Timing Error, Astable								
Initial Accuracy	$R_A, R_B = 1\text{k}$ to $100\text{k}\Omega$ , $C = 0.1\ \mu\text{F}$ , (Note 5)		1.5			2.25		%
Drift with Temperature			90			150		ppm/°C
Accuracy over Temperature			2.5			3.0		%
Drift with Supply		0.15			0.30		%/V	
Threshold Voltage			0.667			0.667		$\times V_{CC}$
Trigger Voltage	$V_{CC} = 15\text{V}$ $V_{CC} = 5\text{V}$	4.8 1.45	5 1.67	5.2 1.9		5 1.67		V V
Trigger Current			0.01	0.5		0.5	0.9	$\mu\text{A}$
Reset Voltage		0.4	0.5	1	0.4	0.5	1	V
Reset Current			0.1	0.4		0.1	0.4	mA
Threshold Current	(Note 6)		0.1	0.25		0.1	0.25	$\mu\text{A}$
Control Voltage Level	$V_{CC} = 15\text{V}$ $V_{CC} = 5\text{V}$	9.6 2.9	10 3.33	10.4 3.8	9 2.6	10 3.33	11 4	V V
Pin 7 Leakage Output High			1	100		1	100	nA
Pin 7 Sat (Note 7)								
Output Low	$V_{CC} = 15\text{V}$ , $I_Z = 15\text{mA}$		150			180		mV
Output Low	$V_{CC} = 4.5\text{V}$ , $I_Z = 4.5\text{mA}$		70	100		80	200	mV

## Electrical Characteristics (Notes 1, 2) (Continued)

( $T_A = 25^\circ\text{C}$ ,  $V_{CC} = +5\text{V}$  to  $+15\text{V}$ , unless otherwise specified)

Parameter	Conditions	Limits						Units
		LM555			LM555C			
		Min	Typ	Max	Min	Typ	Max	
Output Voltage Drop (Low)	$V_{CC} = 15\text{V}$							
	$I_{\text{SINK}} = 10\text{ mA}$		0.1	0.15		0.1	0.25	V
	$I_{\text{SINK}} = 50\text{ mA}$		0.4	0.5		0.4	0.75	V
	$I_{\text{SINK}} = 100\text{ mA}$		2	2.2		2	2.5	V
	$I_{\text{SINK}} = 200\text{ mA}$		2.5			2.5		V
	$V_{CC} = 5\text{V}$							
	$I_{\text{SINK}} = 8\text{ mA}$		0.1	0.25				V
Output Voltage Drop (High)	$I_{\text{SOURCE}} = 200\text{ mA}$ , $V_{CC} = 15\text{V}$		12.5			12.5		V
	$I_{\text{SOURCE}} = 100\text{ mA}$ , $V_{CC} = 15\text{V}$	13	13.3		12.75	13.3		V
	$V_{CC} = 5\text{V}$	3	3.3		2.75	3.3		V
Rise Time of Output			100			100		ns
Fall Time of Output			100			100		ns

**Note 1:** All voltages are measured with respect to the ground pin, unless otherwise specified.

**Note 2:** Absolute Maximum Ratings indicate limits beyond which damage to the device may occur. Operating Ratings indicate conditions for which the device is functional, but do not guarantee specific performance limits. Electrical Characteristics state DC and AC electrical specifications under particular test conditions which guarantee specific performance limits. This assumes that the device is within the Operating Ratings. Specifications are not guaranteed for parameters where no limit is given, however, the typical value is a good indication of device performance.

**Note 3:** For operating at elevated temperatures the device must be derated above  $25^\circ\text{C}$  based on a  $+150^\circ\text{C}$  maximum junction temperature and a thermal resistance of  $164^\circ\text{C/W}$  (T0-5),  $106^\circ\text{C/W}$  (DIP),  $170^\circ\text{C/W}$  (S0-8), and  $204^\circ\text{C/W}$  (MSOP) junction to ambient.

**Note 4:** Supply current when output high typically 1 mA less at  $V_{CC} = 5\text{V}$ .

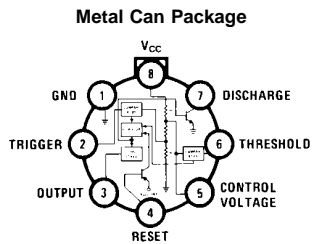
**Note 5:** Tested at  $V_{CC} = 5\text{V}$  and  $V_{CC} = 15\text{V}$ .

**Note 6:** This will determine the maximum value of  $R_A + R_B$  for 15V operation. The maximum total ( $R_A + R_B$ ) is 20 M $\Omega$ .

**Note 7:** No protection against excessive pin 7 current is necessary providing the package dissipation rating will not be exceeded.

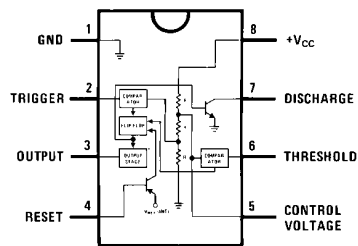
**Note 8:** Refer to RETS555X drawing of military LM555H and LM555J versions for specifications.

## Connection Diagrams



**Top View**  
Order Number LM555H or LM555CH  
See NS Package Number H08C

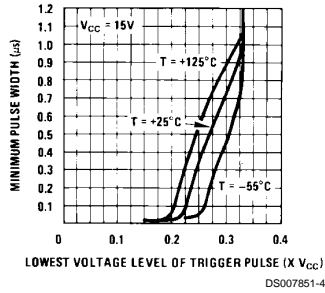
**Dual-In-Line, Small Outline and Molded Mini Small Outline Packages**



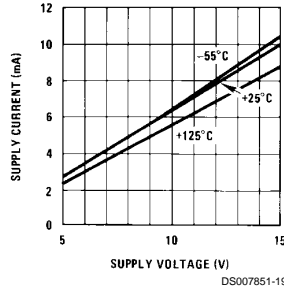
**Top View**  
Order Number LM555J, LM555CJ,  
LM555CM, LM555CMM or LM555CN  
See NS Package Number J08A, M08A, MUA08A or  
N08E

# Typical Performance Characteristics

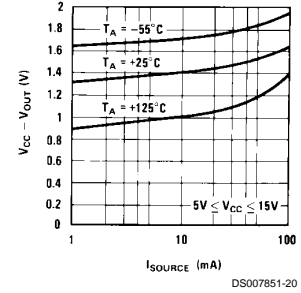
**Minimum Pulse Width Required for Triggering**



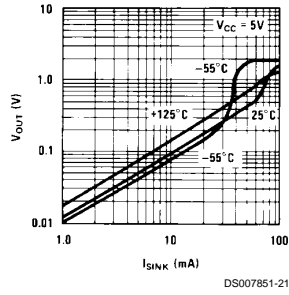
**Supply Current vs Supply Voltage**



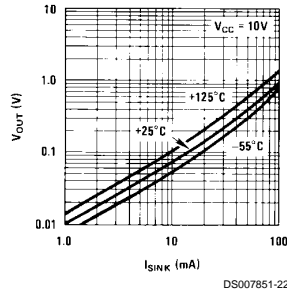
**High Output Voltage vs Output Source Current**



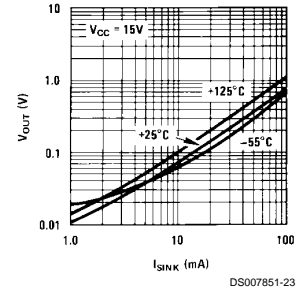
**Low Output Voltage vs Output Sink Current**



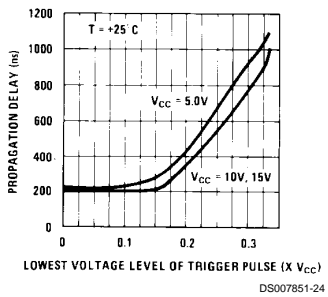
**Low Output Voltage vs Output Sink Current**



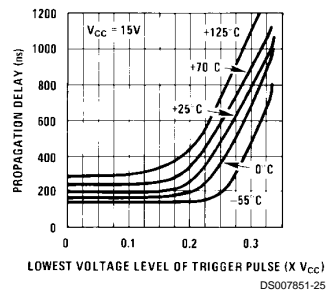
**Low Output Voltage vs Output Sink Current**



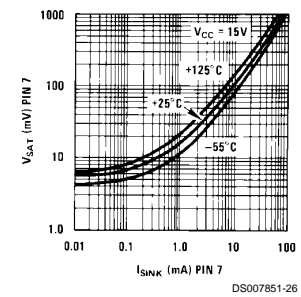
**Output Propagation Delay vs Voltage Level of Trigger Pulse**



**Output Propagation Delay vs Voltage Level of Trigger Pulse**

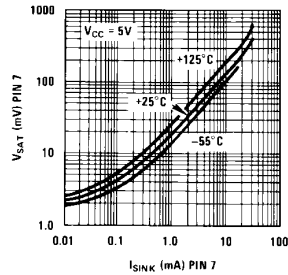


**Discharge Transistor (Pin 7) Voltage vs Sink Current**



## Typical Performance Characteristics (Continued)

**Discharge Transistor (Pin 7)  
Voltage vs Sink Current**

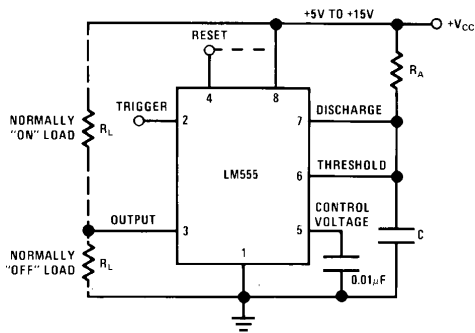


DS007851-27

## Applications Information

### MONOSTABLE OPERATION

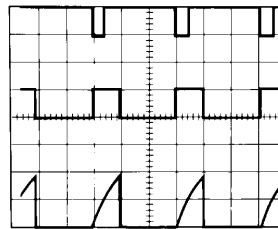
In this mode of operation, the timer functions as a one-shot (*Figure 1*). The external capacitor is initially held discharged by a transistor inside the timer. Upon application of a negative trigger pulse of less than  $1/3 V_{CC}$  to pin 2, the flip-flop is set which both releases the short circuit across the capacitor and drives the output high.



**FIGURE 1. Monostable**

DS007851-5

The voltage across the capacitor then increases exponentially for a period of  $t = 1.1 R_A C$ , at the end of which time the voltage equals  $2/3 V_{CC}$ . The comparator then resets the flip-flop which in turn discharges the capacitor and drives the output to its low state. *Figure 2* shows the waveforms generated in this mode of operation. Since the charge and the threshold level of the comparator are both directly proportional to supply voltage, the timing interval is independent of supply.



DS007851-6

$V_{CC} = 5V$   
 TIME = 0.1 ms/DIV.  
 $R_A = 9.1 k\Omega$   
 $C = 0.01 \mu F$

Top Trace: Input 5V/Div.  
 Middle Trace: Output 5V/Div.  
 Bottom Trace: Capacitor Voltage 2V/Div.

**FIGURE 2. Monostable Waveforms**

During the timing cycle when the output is high, the further application of a trigger pulse will not effect the circuit so long as the trigger input is returned high at least  $10 \mu s$  before the end of the timing interval. However the circuit can be reset during this time by the application of a negative pulse to the reset terminal (pin 4). The output will then remain in the low state until a trigger pulse is again applied.

When the reset function is not in use, it is recommended that it be connected to  $V_{CC}$  to avoid any possibility of false triggering.

*Figure 3* is a nomograph for easy determination of  $R, C$  values for various time delays.

**NOTE:** In monostable operation, the trigger should be driven high before the end of timing cycle.

## Applications Information (Continued)

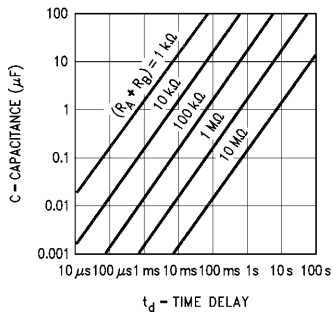


FIGURE 3. Time Delay

### ASTABLE OPERATION

If the circuit is connected as shown in *Figure 4* (pins 2 and 6 connected) it will trigger itself and free run as a multivibrator. The external capacitor charges through  $R_A + R_B$  and discharges through  $R_B$ . Thus the duty cycle may be precisely set by the ratio of these two resistors.

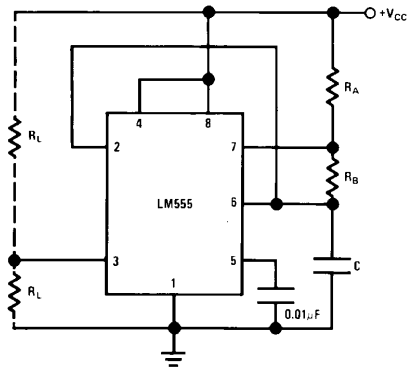
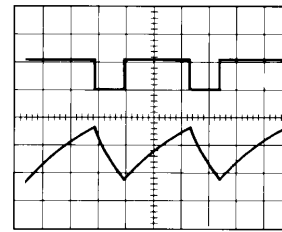


FIGURE 4. Astable

In this mode of operation, the capacitor charges and discharges between  $1/3 V_{CC}$  and  $2/3 V_{CC}$ . As in the triggered mode, the charge and discharge times, and therefore the frequency are independent of the supply voltage.

*Figure 5* shows the waveforms generated in this mode of operation.



$V_{CC} = 5V$   
 TIME = 20  $\mu s$ /DIV.  
 $R_A = 3.9 k\Omega$   
 $R_B = 3 k\Omega$   
 $C = 0.01 \mu F$

FIGURE 5. Astable Waveforms

The charge time (output high) is given by:

$$t_1 = 0.693 (R_A + R_B) C$$

And the discharge time (output low) by:

$$t_2 = 0.693 (R_B) C$$

Thus the total period is:

$$T = t_1 + t_2 = 0.693 (R_A + 2R_B) C$$

The frequency of oscillation is:

$$f = \frac{1}{T} = \frac{1.44}{(R_A + 2R_B) C}$$

*Figure 6* may be used for quick determination of these RC values.

The duty cycle is:

$$D = \frac{R_B}{R_A + 2R_B}$$

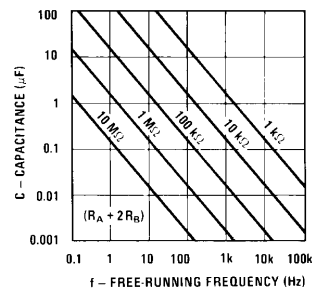
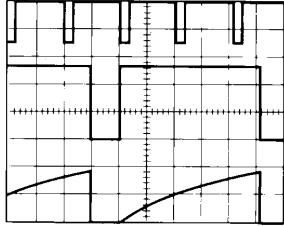


FIGURE 6. Free Running Frequency

### FREQUENCY DIVIDER

The monostable circuit of *Figure 1* can be used as a frequency divider by adjusting the length of the timing cycle. *Figure 7* shows the waveforms generated in a divide by three circuit.

## Applications Information (Continued)



DS007851-11

$V_{CC} = 5V$   
 TIME = 20  $\mu s$ /DIV. Top Trace: Input 4V/Div.  
 $R_A = 9.1 k\Omega$  Middle Trace: Output 2V/Div.  
 $C = 0.01 \mu F$  Bottom Trace: Capacitor 2V/Div.

FIGURE 7. Frequency Divider

### PULSE WIDTH MODULATOR

When the timer is connected in the monostable mode and triggered with a continuous pulse train, the output pulse width can be modulated by a signal applied to pin 5. Figure 8 shows the circuit, and in Figure 9 are some waveform examples.

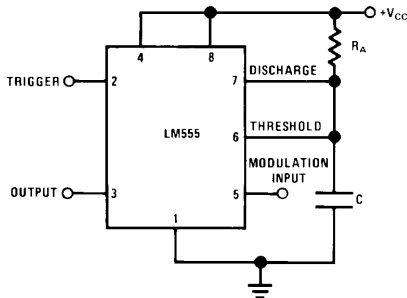
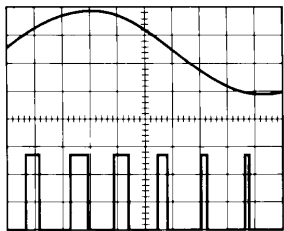


FIGURE 8. Pulse Width Modulator



DS007851-13

$V_{CC} = 5V$   
 TIME = 0.2 ms/DIV. Top Trace: Modulation 1V/Div.  
 $R_A = 9.1 k\Omega$  Bottom Trace: Output Voltage 2V/Div.  
 $C = 0.01 \mu F$

FIGURE 9. Pulse Width Modulator

### PULSE POSITION MODULATOR

This application uses the timer connected for astable operation, as in Figure 10, with a modulating signal again applied to the control voltage terminal. The pulse position varies with

the modulating signal, since the threshold voltage and hence the time delay is varied. Figure 11 shows the waveforms generated for a triangle wave modulation signal.

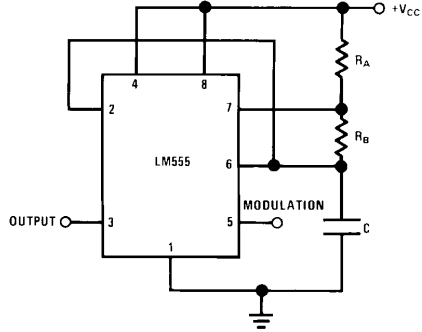
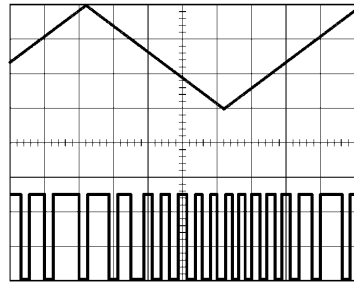


FIGURE 10. Pulse Position Modulator



DS007851-15

$V_{CC} = 5V$   
 TIME = 0.1 ms/DIV. Top Trace: Modulation Input 1V/Div.  
 $R_A = 3.9 k\Omega$  Bottom Trace: Output 2V/Div.  
 $R_B = 3 k\Omega$   
 $C = 0.01 \mu F$

FIGURE 11. Pulse Position Modulator

### LINEAR RAMP

When the pullup resistor,  $R_A$ , in the monostable circuit is replaced by a constant current source, a linear ramp is generated. Figure 12 shows a circuit configuration that will perform this function.

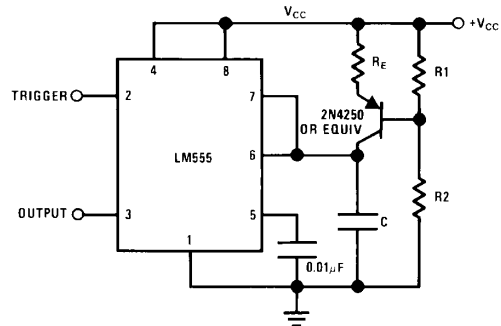


FIGURE 12.

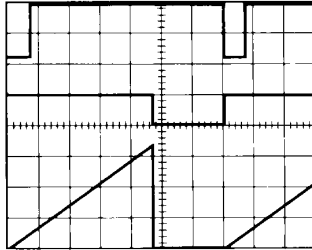
## Applications Information (Continued)

Figure 13 shows waveforms generated by the linear ramp. The time interval is given by:

$$T = \frac{2/3 V_{CC} R_E (R_1 + R_2) C}{R_1 V_{CC} - V_{BE} (R_1 + R_2)}$$

$$V_{BE} \cong 0.6V$$

$$V_{BE} \cong 0.6V$$



DS007851-17

$V_{CC} = 5V$  Top Trace: Input 3V/Div.  
 TIME = 20  $\mu$ s/DIV. Middle Trace: Output 5V/Div.  
 $R_1 = 47 k\Omega$  Bottom Trace: Capacitor Voltage 1V/Div.  
 $R_2 = 100 k\Omega$   
 $R_E = 2.7 k\Omega$   
 $C = 0.01 \mu F$

FIGURE 13. Linear Ramp

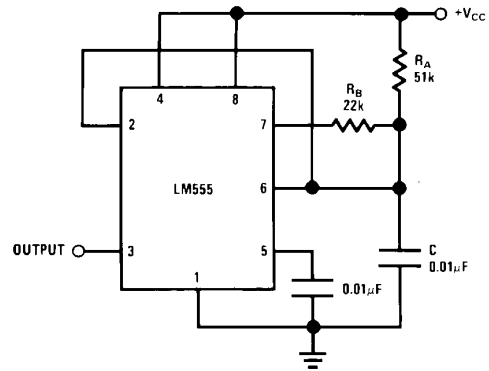
### 50% DUTY CYCLE OSCILLATOR

For a 50% duty cycle, the resistors  $R_A$  and  $R_B$  may be connected as in Figure 14. The time period for the output high is the same as previous,  $t_1 = 0.693 R_A C$ . For the output low it is  $t_2 =$

$$\left[ (R_A R_B) / (R_A + R_B) \right] C \ln \left[ \frac{R_B - 2R_A}{2R_B - R_A} \right]$$

Thus the frequency of oscillation is

$$f = \frac{1}{t_1 + t_2}$$



DS007851-18

FIGURE 14. 50% Duty Cycle Oscillator

Note that this circuit will not oscillate if  $R_B$  is greater than  $1/2 R_A$  because the junction of  $R_A$  and  $R_B$  cannot bring pin 2 down to  $1/3 V_{CC}$  and trigger the lower comparator.

### ADDITIONAL INFORMATION

Adequate power supply bypassing is necessary to protect associated circuitry. Minimum recommended is  $0.1 \mu F$  in parallel with  $1 \mu F$  electrolytic.

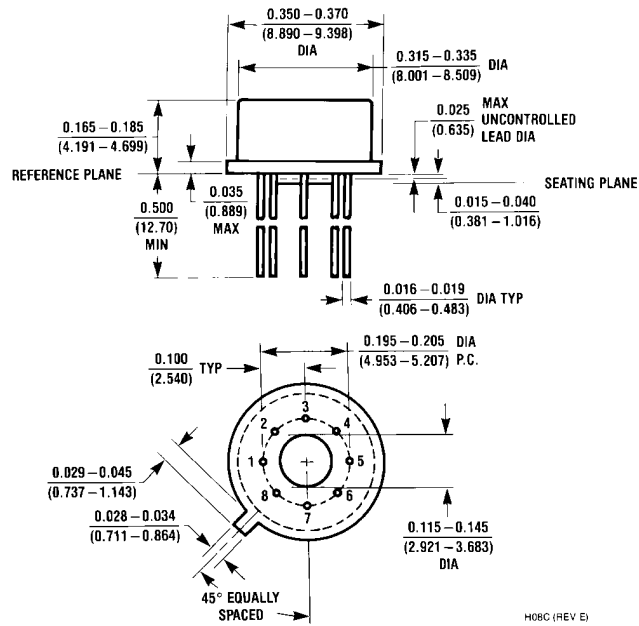
Lower comparator storage time can be as long as  $10 \mu s$  when pin 2 is driven fully to ground for triggering. This limits the monostable pulse width to  $10 \mu s$  minimum.

Delay time reset to output is  $0.47 \mu s$  typical. Minimum reset pulse width must be  $0.3 \mu s$ , typical.

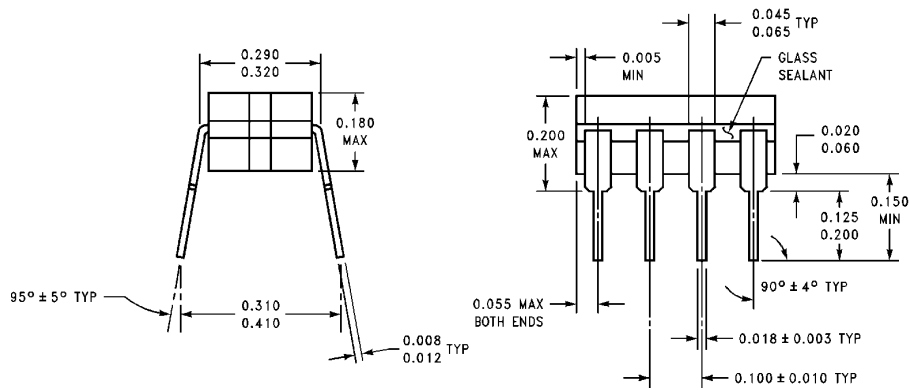
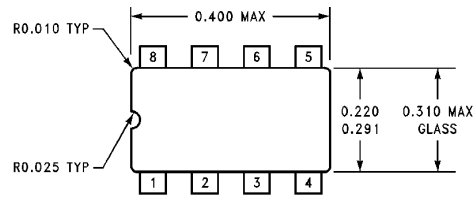
Pin 7 current switches within  $30 ns$  of the output (pin 3) voltage.



**Physical Dimensions** inches (millimeters)

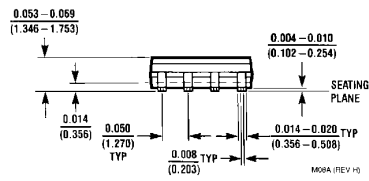
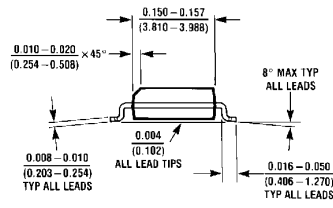
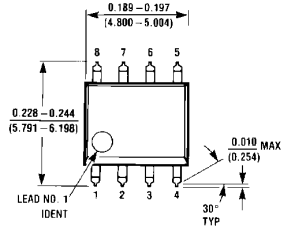


**Metal Can Package (H)**  
 Order Number LM555H or LM555CH  
 NS Package Number H08C



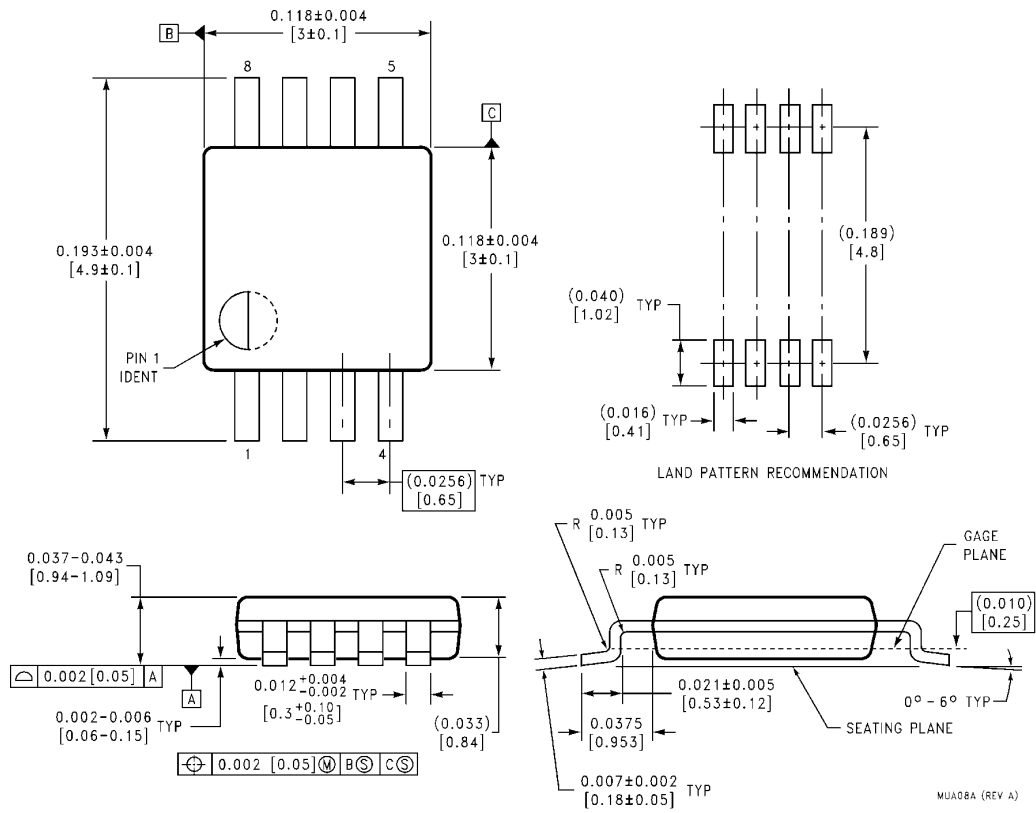
**Ceramic Dual-In-Line Package (J)**  
 Order Number LM555J or LM555CJ  
 NS Package Number J08A

**Physical Dimensions** inches (millimeters) (Continued)



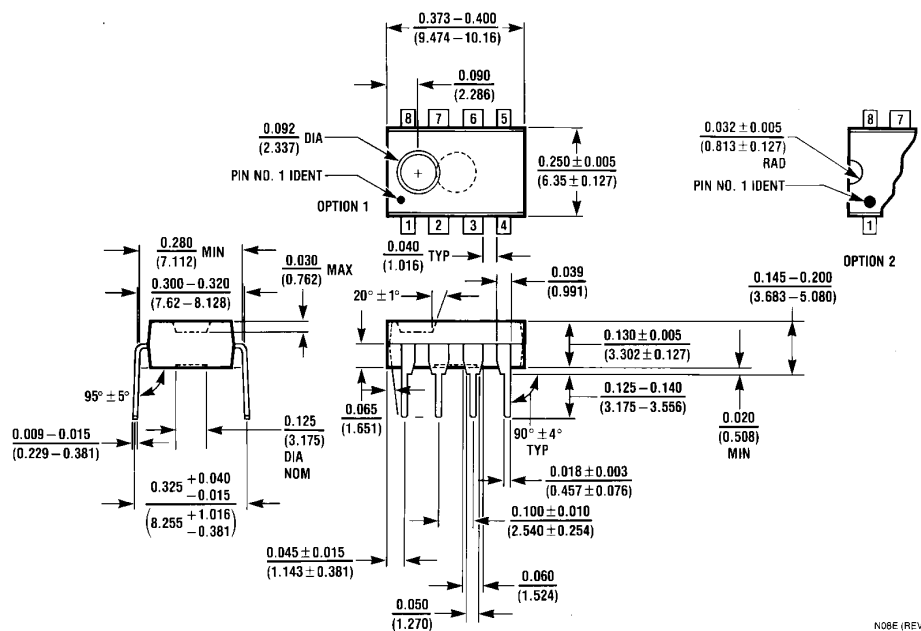
**Small Outline Package (M)**  
**Order Number LM555CM**  
**NS Package Number M08A**

**Physical Dimensions** inches (millimeters) (Continued)



**8-Lead (0.118" Wide) Molded Mini Small Outline Package**  
**Order Number LM555CMM**  
**NS Package Number MUA08A**

**Physical Dimensions** inches (millimeters) (Continued)



**Molded Dual-In-Line Package (N)**  
**Order Number LM555CN**  
**NS Package Number N08E**

N08E (REV F)

**LIFE SUPPORT POLICY**

NATIONAL'S PRODUCTS ARE NOT AUTHORIZED FOR USE AS CRITICAL COMPONENTS IN LIFE SUPPORT DEVICES OR SYSTEMS WITHOUT THE EXPRESS WRITTEN APPROVAL OF THE PRESIDENT OF NATIONAL SEMICONDUCTOR CORPORATION. As used herein:

1. Life support devices or systems are devices or systems which, (a) are intended for surgical implant into the body, or (b) support or sustain life, and whose failure to perform when properly used in accordance with instructions for use provided in the labeling, can be reasonably expected to result in a significant injury to the user.
2. A critical component in any component of a life support device or system whose failure to perform can be reasonably expected to cause the failure of the life support device or system, or to affect its safety or effectiveness.



**National Semiconductor Corporation**  
 1111 West Bardin Road  
 Arlington, TX 76017  
 Tel: 1(800) 272-9959  
 Fax: 1(800) 737-7018

www.national.com

**National Semiconductor Europe**  
 Fax: (+49) 0-180-530 85 86  
 Email: crnjwge@tevm2.nsc.com  
 Deutsch Tel: (+49) 0-180-530 85 85  
 English Tel: (+49) 0-180-532 78 32  
 Français Tel: (+49) 0-180-532 93 58  
 Italiano Tel: (+49) 0-180-534 16 80

**National Semiconductor Hong Kong Ltd.**  
 13th Floor, Straight Block,  
 Ocean Centre, 5 Canton Rd.  
 Tsimshatsui, Kowloon  
 Hong Kong  
 Tel: (852) 2737-1600  
 Fax: (852) 2736-9960

**National Semiconductor Japan Ltd.**  
 Tel: 81-043-299-2308  
 Fax: 81-043-299-2408