

Intel® Server Board SAI2 with SCSI Adapter Quick Start User Guide

Start Here

Thank you for buying an Intel® Server Board. The following information will help you prepare your server board for integration with your selected server chassis. This Guide is for technically qualified persons. Expanded installation instructions and complete product information are available in the *Intel® Server Board SAI2 with SCSI Adapter Product Guide* located on the Resource CD.

Translations of the *Intel Server Board Product Guide* are available at:
 您可在下列网站上查閱到 Intel 服务器母板产品指南的译文。
 La traducción de la Guía del Producto Intel Server Board se encuentra disponible en:
<http://support.intel.com/support/motherboards/server/SAI2>

Minimum Hardware Requirements:

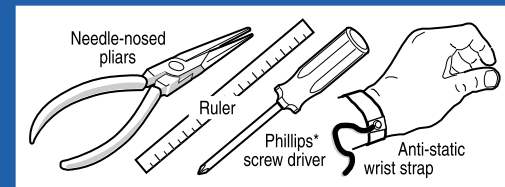
To avoid integration difficulties and possible board damage, your system must meet the following minimum requirements:

- **Processor:** Minimum of one 1.0 GHz Intel® Pentium® III processor with 256K cache support.
- **Memory:** Minimum of 64 MB of 133MHz, 3.3 V, ECC, PC133 compliant registered SDRAM on 168 pin gold DIMMs.
- **Power Supply:** Minimum of 250 W with 0.8 A +5 V standby current.

For a list of qualified memory and chassis components, see:
<http://support.intel.com/support/motherboards/server/SAI2>

Before you begin

You will need the following tools and equipment:



See the *Intel Server Board SAI2 with SCSI Adapter Product Guide* for product Safety and EMC regulatory compliance information.

If you are not familiar with ESD [Electro-Static Discharge] Procedures to be used during system assembly, complete ESD Procedures are described in your *Intel Server Board SAI2 with SCSI Adapter Product Guide*.

Additional resources and support for your server board, including specifications and software updates, can be found at:
<http://support.intel.com/support/motherboards/server/SAI2>

Build Value with Intel

Server Products, Programs and Support
 Get the high-value server solutions you need by taking advantage of the outstanding value Intel provides to system integrators:

- High-quality server building blocks
- Extensive breadth of server building blocks
- Solutions and tools to enable e-Business
- Intel® Server Management
- Comprehensive training services†
- Worldwide 24x7 technical support (AT&T Country Code + 866-655-6565)†
- World-class service, including a three-year limited warranty and Advanced Warranty Replacement†

For more information on Intel's added-value server offerings, visit the Intel® ServerBuilder website at:
www.intel.com/go/serverbuilder

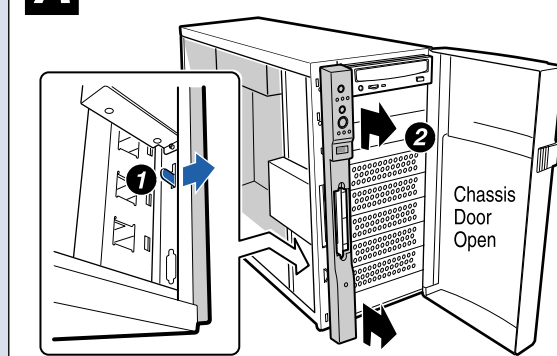
Intel ServerBuilder is your one-stop shop for information about all of Intel's Server Building Blocks such as:

- Product information including product briefs and technical product specifications
- Sales tools such as videos and presentations
- Configurator Tools to help you build complete solutions
- Training information such as the Intel® Online Learning Center
- Support Information and much more

†Available only to Intel® Channel Program Members, part of Intel® e-Business Network.

1 Installing the Front Panel USB Port Filler

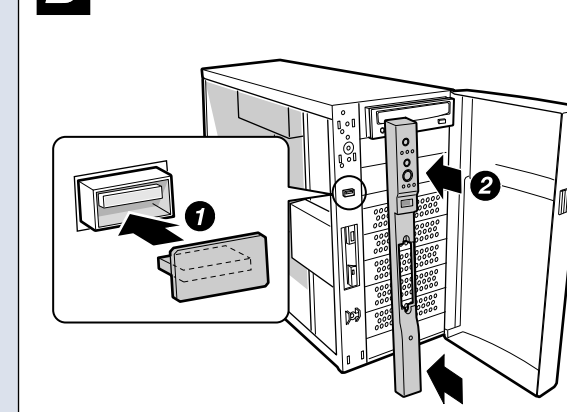
A Removing the Bezel



With the Intel® SC5100 chassis, you must remove the bezel and insert the Front Panel USB Port Filler included with your server board.

1. To release the bezel, insert fingertip behind plastic tab and pull outward.
2. While holding the plastic tab, push the bezel upward then pull it outward as shown.

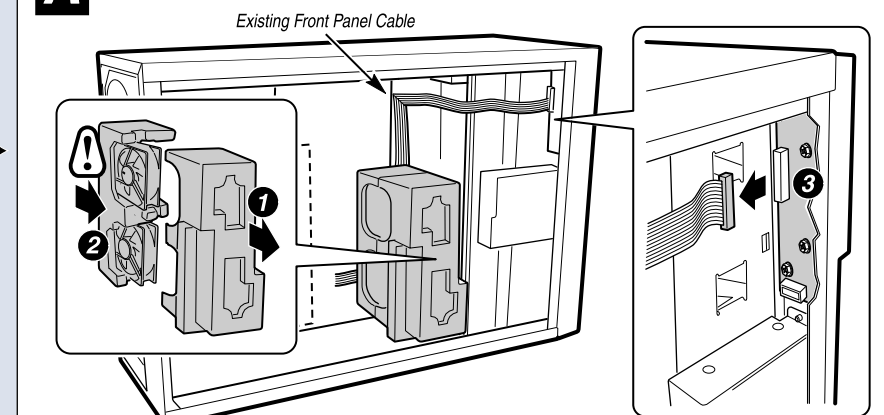
B Inserting the USB Port Filler



1. Install Front Panel USB Port Filler into USB socket as shown.
2. Replace the bezel.

2 Replacing the Front Panel Cable

A Removing the Existing Front Panel Cable



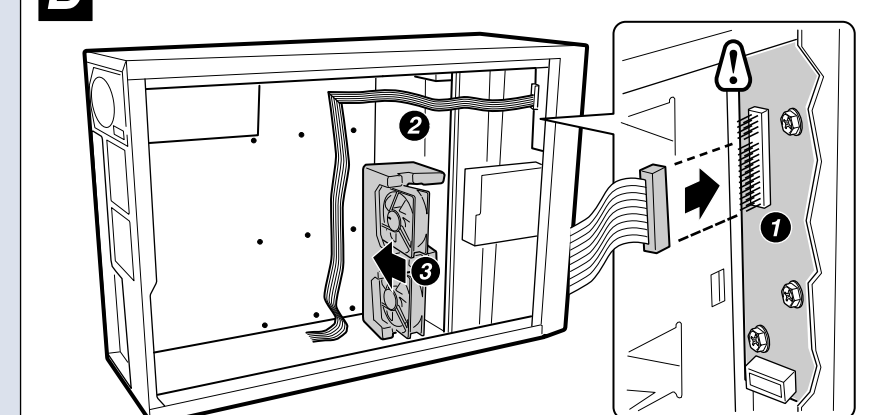
Use the 24-pin front panel cable included with your server board. With the Intel SC5100 chassis, you must remove the 34-pin cable that was included with your chassis.

1. Remove the top half of the foam epic and set aside.
2. Remove the bottom half of the epic containing the fans by carefully pulling outward to disengage the four foam tabs located on the back side.

Caution: Damaging the four foam tabs can result in misalignment of the epic and improper air flow to the Server Board.

3. Unplug the 34-pin front panel cable from the Front Panel and remove it from the chassis.

B Installing the SAI2 Front Panel Cable

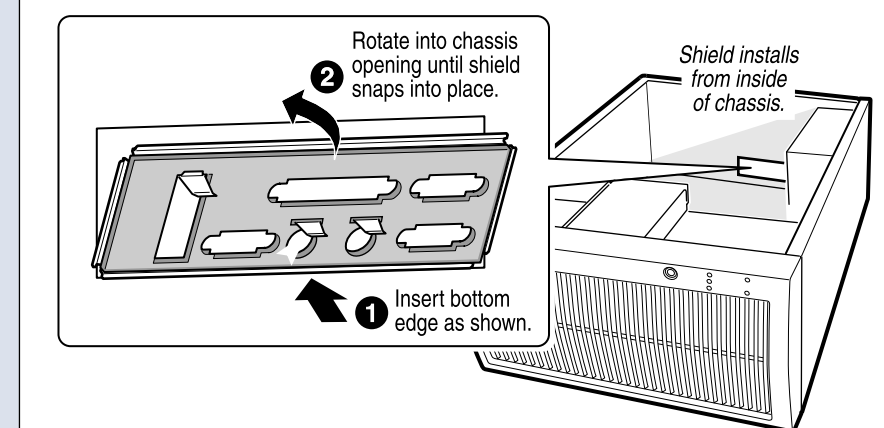


1. Attach one end of the 24-pin front panel cable included with your server board to the chassis front panel board as shown. Both ends of the cable have identical connectors.

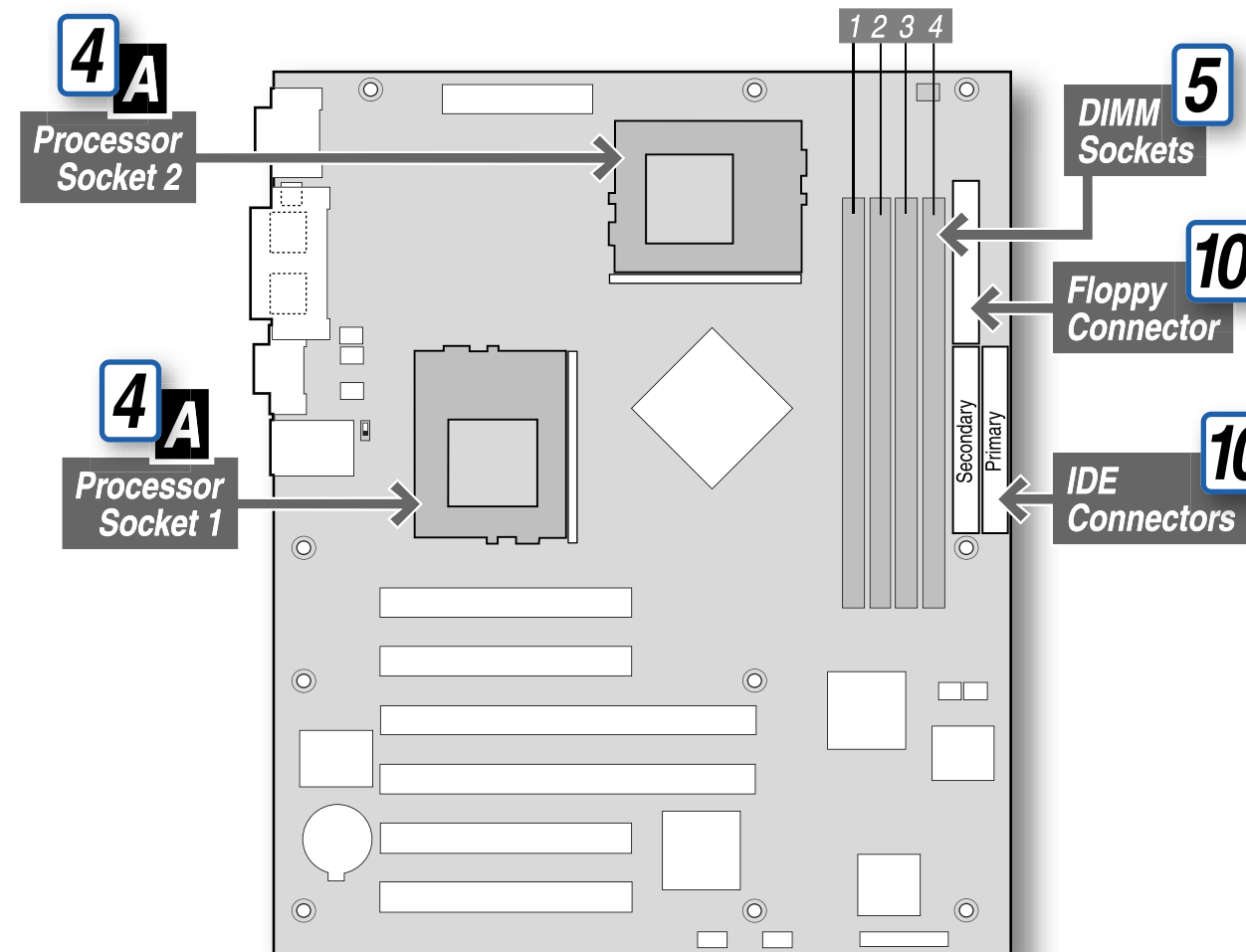
Caution: Note that the cable connector is shorter than the mating socket on the Front Panel Board and has one "plugged hole" for proper connector/socket alignment. Use care to avoid bending pins when installing.

2. Route cable as shown, utilizing square corner folds where necessary.
3. Re-install the half of the epic containing the fans.

3 Installing the I/O Shield



Go to Step 4A



DID YOU KNOW?

You can use the bag from your server board as an anti-static pad while installing and configuring components.

Go to SIDE 2

5 Installing Memory

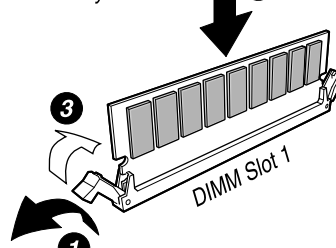
DIMM Memory Modules

DIMM Slot #1 MUST contain a DIMM. Empty memory slots between DIMMs are not allowed.

Step #1: Open both DIMM Socket Levers.

Step #2: Insert DIMM making sure the connector edge of the DIMM aligns correctly with the slot.

Step #3: Check that socket levers are securely latched.



Avoid touching gold contacts when handling or installing DIMMs.

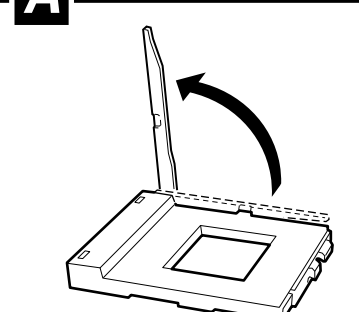
Note: See "Minimum Hardware Requirements" in the Start Here box above left for correct DIMM specifications.

4 Installing the Processor[s]

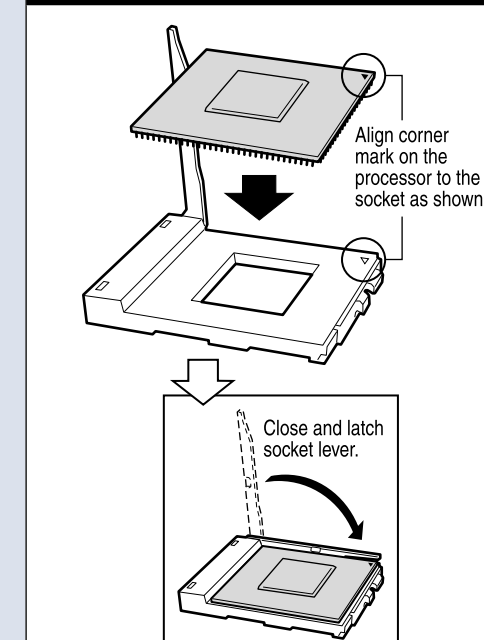
Notes and Cautions:

1. If only ONE processor is to be used, it must be installed in the Processor Socket 1.
2. Do not mix processors of different types or frequencies.
3. When unpacking a processor, hold by the edges only to avoid touching the pins.
4. This server board has "zero-insertion force" sockets. If processor does not drop easily into socket holes, make sure lever is in the full-up position.

A Open the Socket Lever

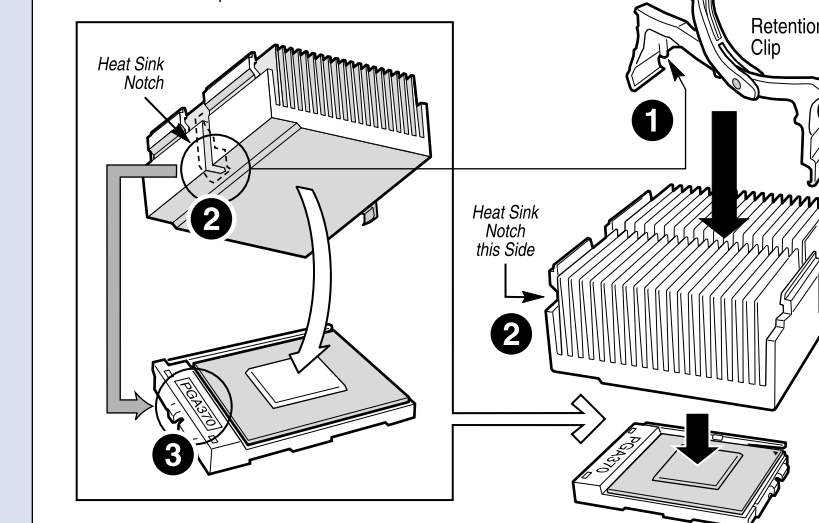


B Attaching the Processor to the Socket



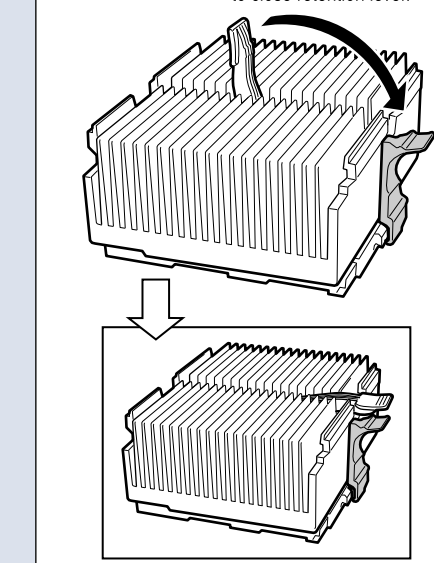
C Installing the Heat Sink and Retention Clip

- Before inserting the retention clip into the heatsink slot, make sure the plastic pin located at 1 is aligned with the heat sink notch at 2.
- Align the notched side of the heat sink 2 with the edge of the socket containing the PGA370 designation 3 and place onto the processor as shown.



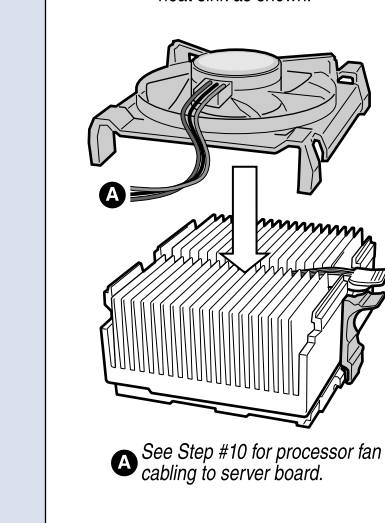
D Locking the Heat Sink Retention Clip

Use slow, constant pressure to close retention lever.



E Attaching the Fan

Install the heat sink fan by snapping it onto the top of the heat sink as shown.



intel®

