

Intel® SRSH4 Server Platform Quick Start User's Guide

Build Value with Intel

Server Products, Programs and Support

Get the high-value server solutions you need by taking advantage of the outstanding value Intel provides to system integrators:

- High-quality server building blocks
- Extensive breadth of server building blocks
- Solutions and tools to enable e-Business
- Comprehensive training services*
- Worldwide 24x7 technical support [AT&T Country Code + 866-655-6565]*
- World-class service, including a three-year warranty and Advanced Warranty Replacement*

For more information on Intel's added-value server offerings, visit the Intel® Server Builder website at: <http://www.intel.com/go/serverbuilder>

*Available only to Intel® Channel Program Members, part of Intel® e-Business Network.

Start Here

Thank you for buying an Intel® Server. The following information will help you set up your server.

This Guide is for technically qualified persons. Expanded installation instructions and complete product information are available in the *SRSH4 Server Platform Product Guide* located on the system resource CD.

Minimum Hardware Requirements:

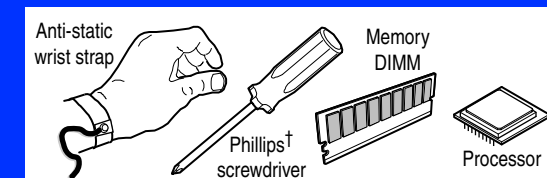
- **Processor:** Minimum of one Intel® Xeon™ processor.
- **Memory:** Four PC-200 DDR DIMMs, minimum 128 MB each.

For technical information, including qualified memory and processors, see:

<http://support.intel.com/support/motherboards/server/ssh4/srsh4/>

Before you begin:

You will need the following tools and equipment...

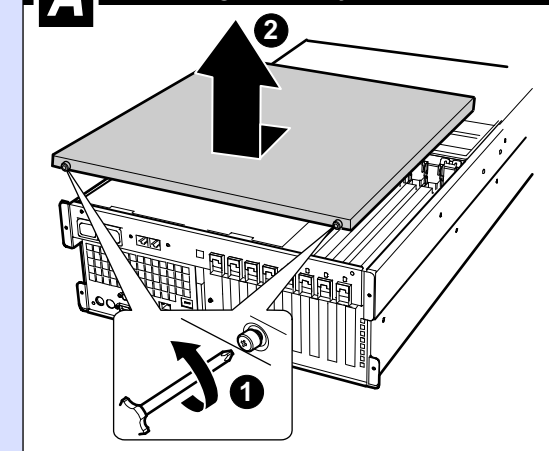


⚠ See the *SRSH4 Server Platform Product Guide* for product Safety and EMC regulatory compliance information.

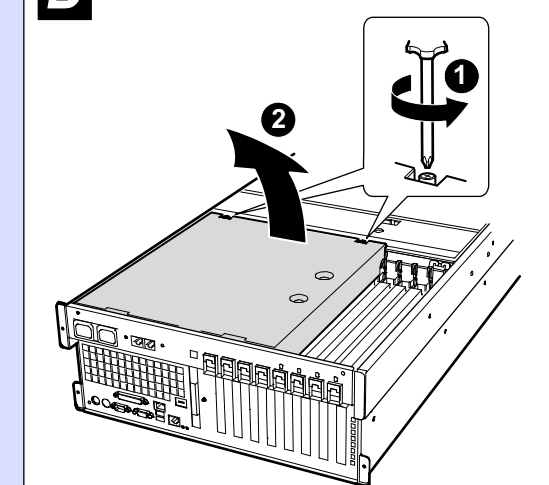
⚠ If you are not familiar with ESD (Electrostatic Discharge) procedures to be used during system assembly, complete ESD procedures are described in the *SRSH4 Server Platform Product Guide*.

1 Removing Covers

A Removing the E-Bay Cover

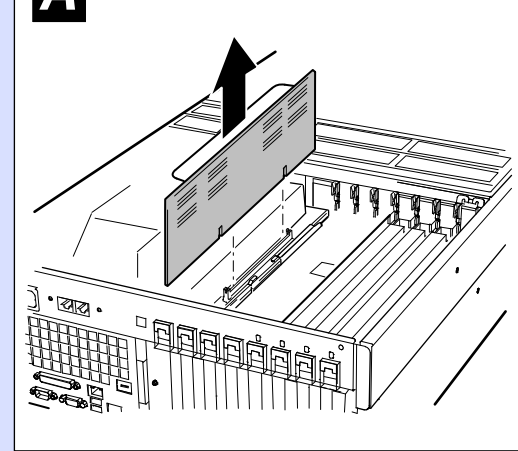


B Removing the Access Cover

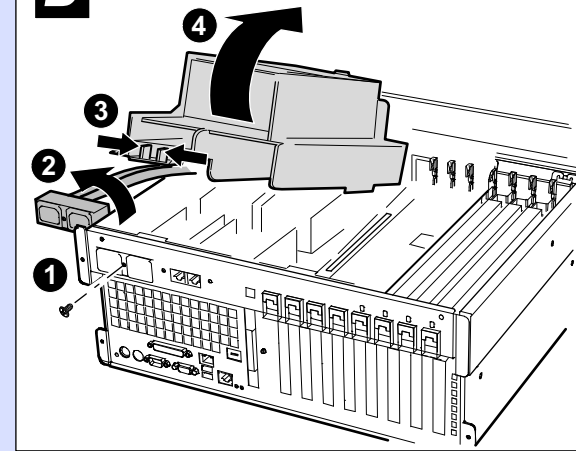


2 Removing the Memory and Processor Boards

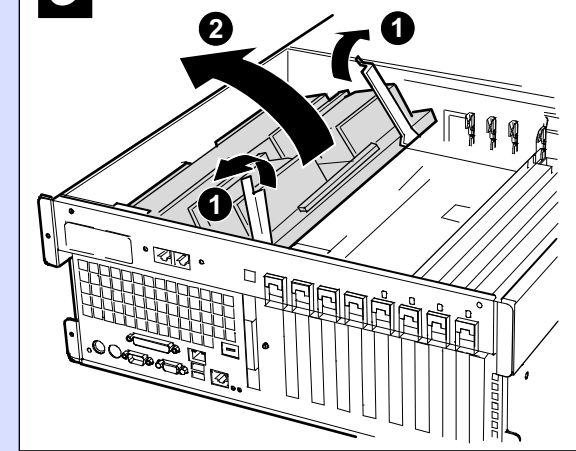
A Removing the Memory Board



B Removing the Air Baffle

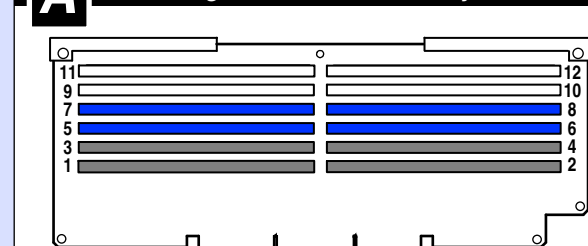


C Removing the Processor Board



3 Installing Memory and Processors

A Installing DIMMs in the Memory Board



Load DIMMs in the following order:

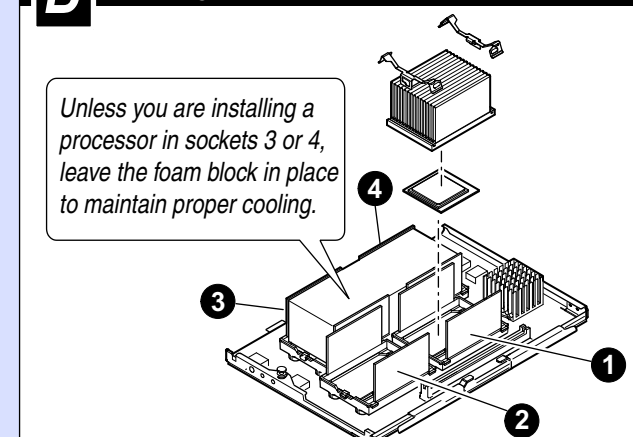
Bank 1 = DIMMs 1, 2, 3, 4

Bank 2 = DIMMs 5, 6, 7, 8

Bank 3 = DIMMs 9, 10, 11, 12

All four slots in a bank should be filled.

B Installing Processors on the Processor Board



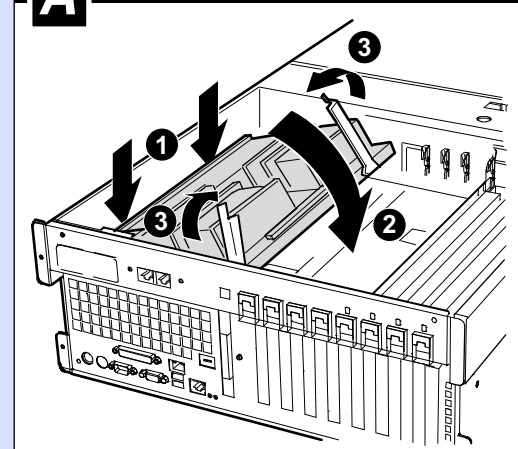
4 If you are installing ...

... an ICMB board,
do that now.

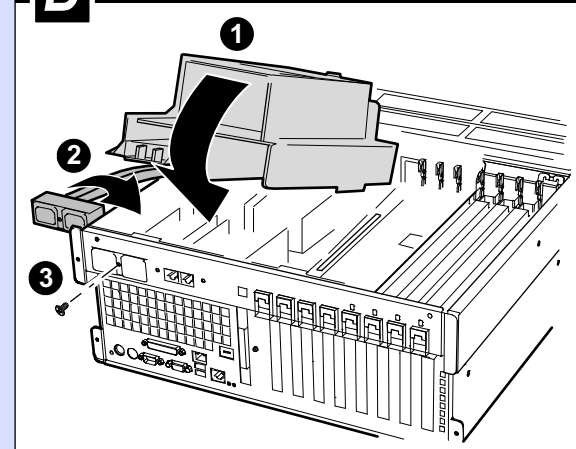
For more information,
see the *SRSH4 Server Platform Product Guide*.

5 Installing the Processor and Memory Boards

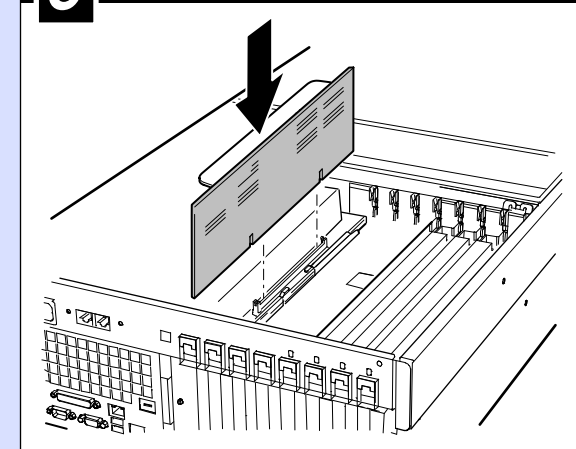
A Installing the Processor Board



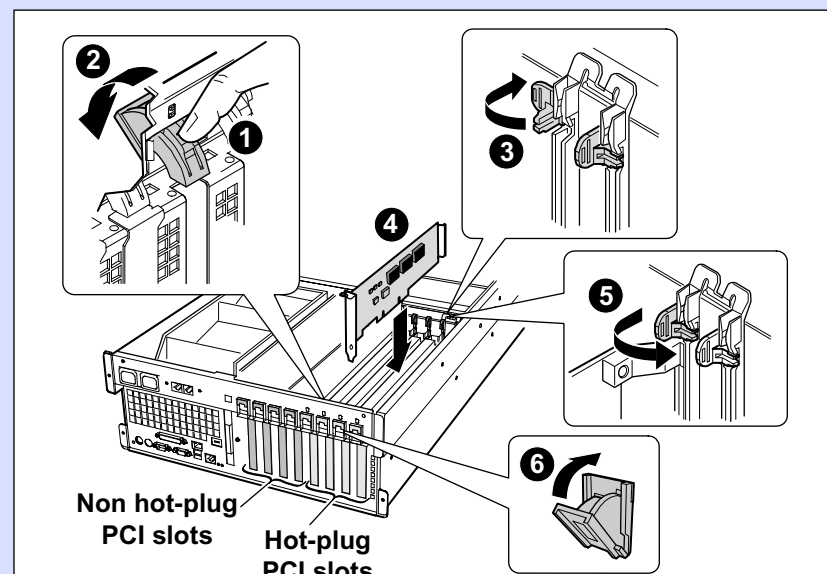
B Installing the Air Baffle



C Installing the Memory Board

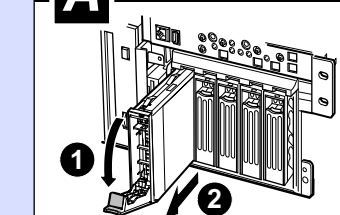


6 Installing PCI Adapter Cards

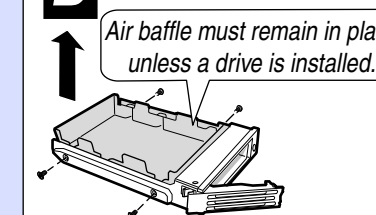


7 Installing Hard Disk Drives

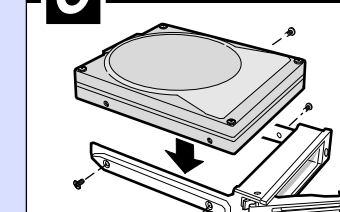
A Remove Blank



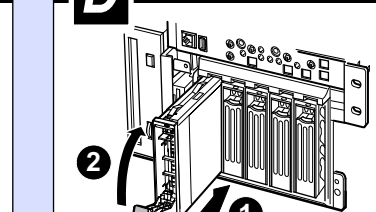
B Remove Air Baffle



C Attach Hard Disk Drive



D Install Hard Disk Drive



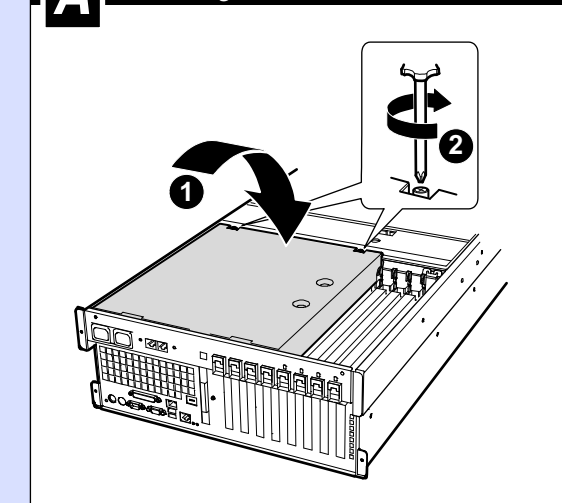
8 If you are installing ...

... an additional power supply or
additional peripherals, do that now.

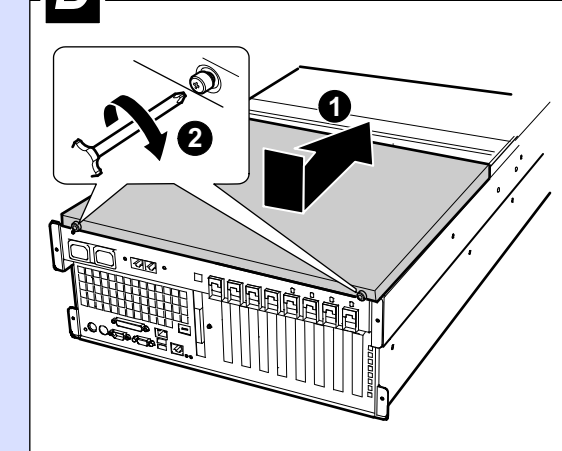
For more information, see the
SRSH4 Server Platform Product Guide.

9 Installing Covers

A Installing the Access Cover



B Installing the E-Bay Cover



10 Configuring your System

1. Recommended: Update BMC, FRU/SDR, HSC, and BIOS with the latest versions from:

<http://support.intel.com/support/motherboards/server/ssh4/srsh4/>

2. Required: Boot from the System Resource CD.

3. Required: Run FRU/SDR to recognize and configure installed hardware.

4. Recommended: Create a service partition.

For more information, see the *SRSH4 Server Platform Product Guide*.

For rack mounting instructions,
see side 2.



