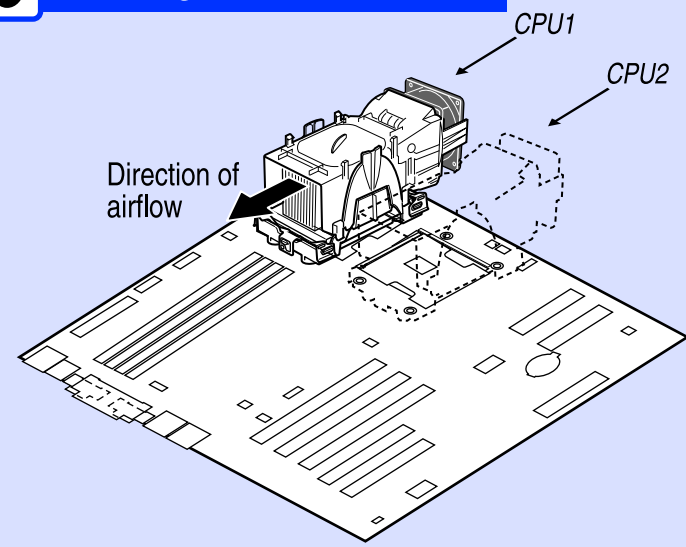
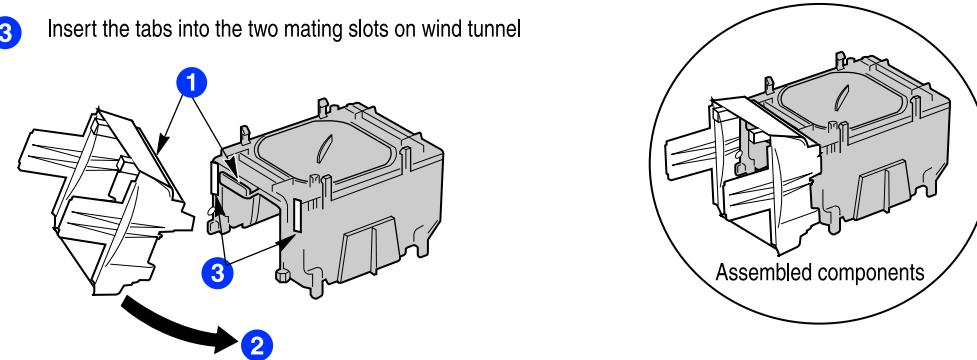


6 Installing the Wind Tunnel

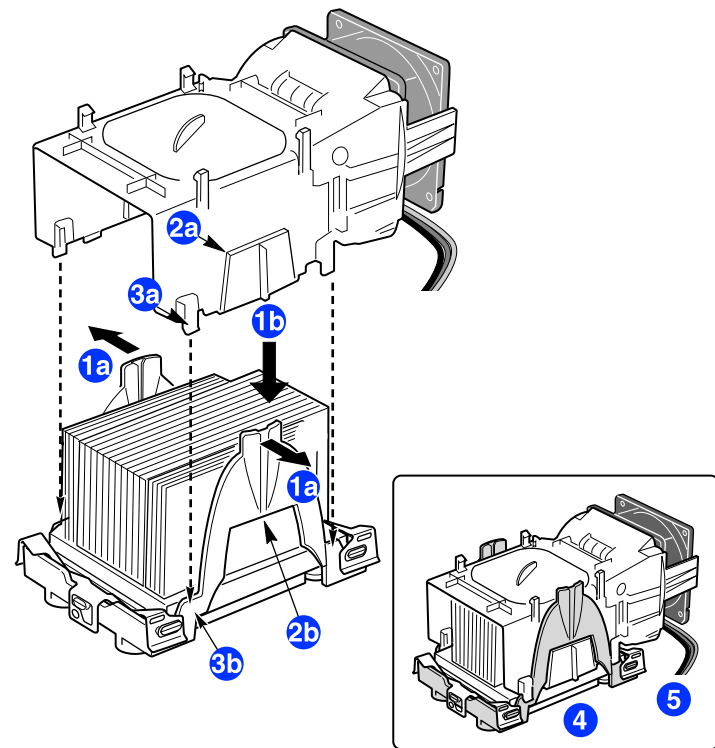


A Attaching the Fan Case to the Heat Sink Case

- 1 Hold fan case at approximately 45° and engage the clip at top of tunnel as shown.
- 2 Rotate fan case downward.
- 3 Insert the tabs into the two mating slots on wind tunnel



C Attaching the Wind Tunnel

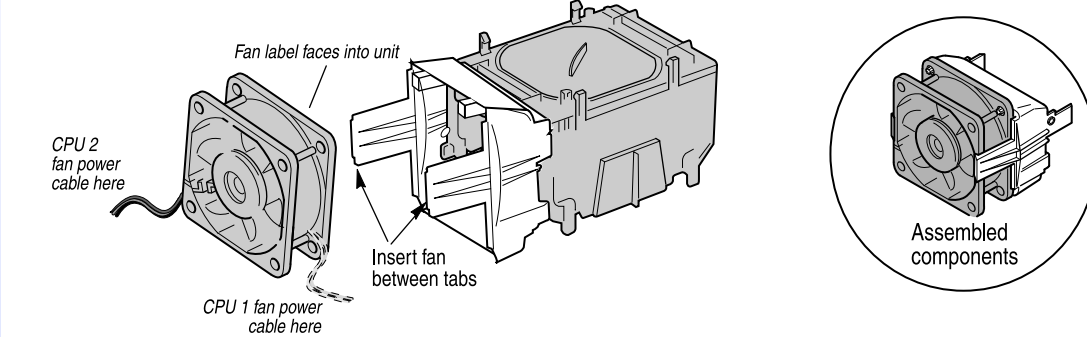


B Attaching the Fan

Insert one side of fan, then pull out slightly on the tab at the other side of the fan case to insert the fan between the tabs. *The fan label must face into the unit for the air to flow in the correct direction.*

Note: Although the fan can be mounted at the top of the wind tunnel, for adequate DIMM cooling only the diagrammed installation is recommended.

When you are facing the fan and looking at the completed assembly, the fan cable should be coming out from the right side for processor 1 and from the left side for processor 2.



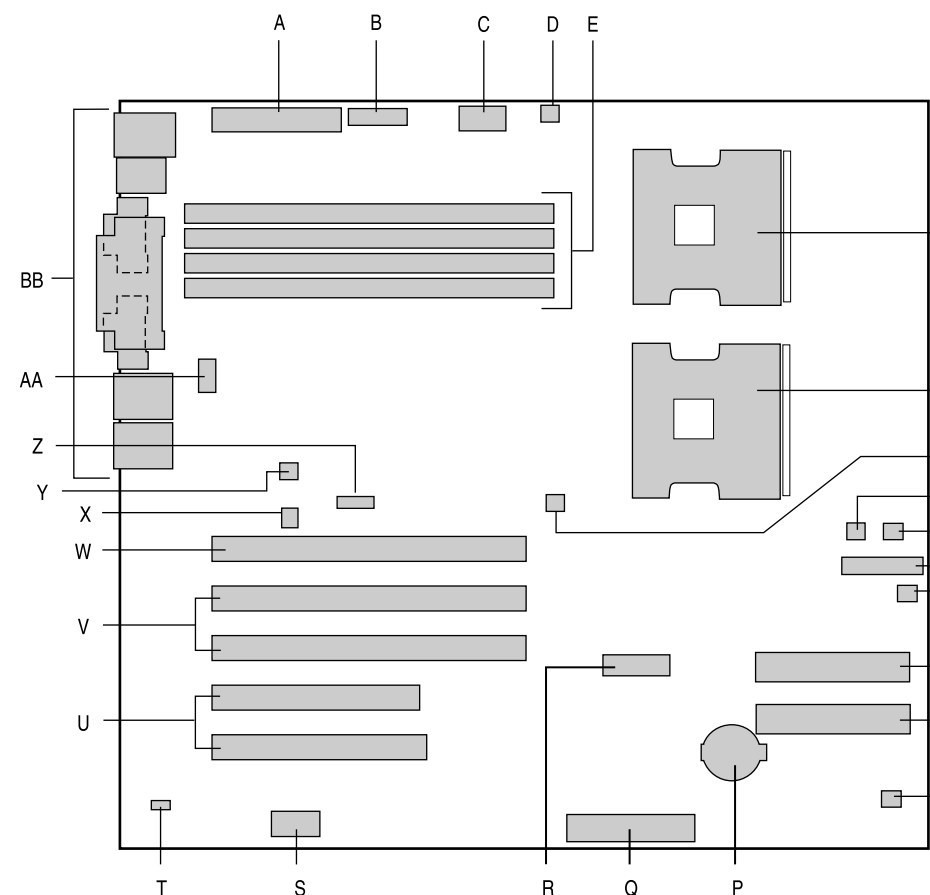
- 1 Spread tabs outward slightly (1a). Lower wind tunnel assembly onto retention mechanism (1b).
- 2 The tabs on fan assembly (2a) slide into slots (2b) on retention mechanism.
- 3 The tabs on fan assembly (3a) connect to the outside surface of retention mechanism (3b).
- 4 Correct assembly should look like this.
- 5 Attach fan power cable to corresponding server board CPU fan connector. See Reference section for fan connector locations.

Reference

Server Board Component Layout

Component Descriptions:

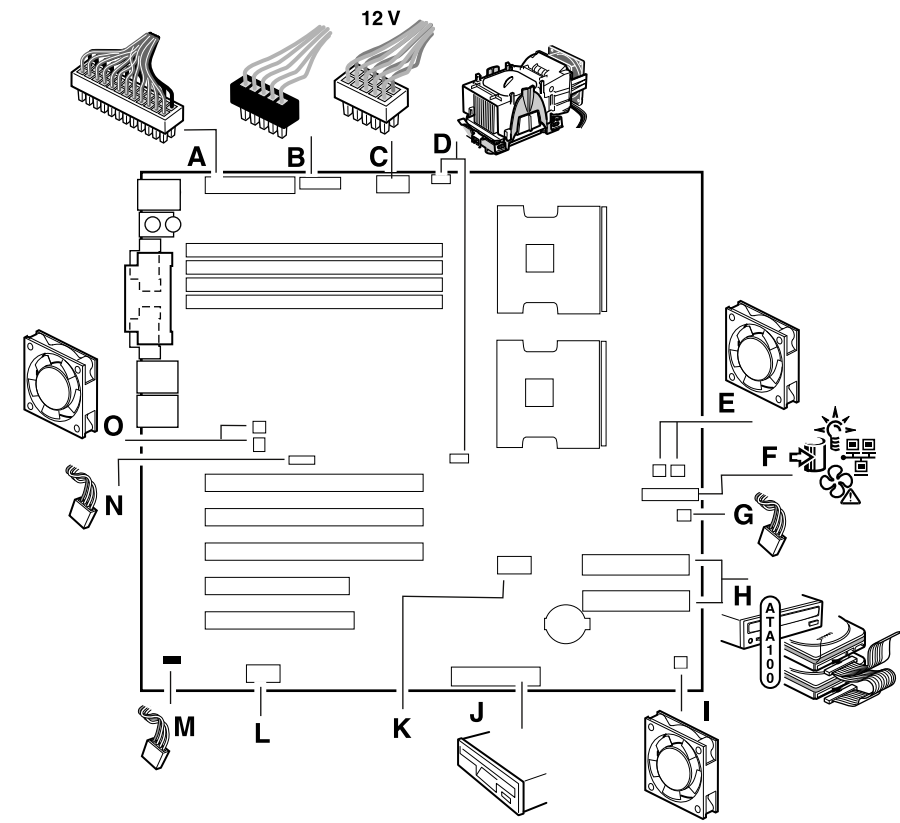
- | | | | |
|-------------------------------|------------------------------|--------------------------------|--------------------------|
| A. Main Power Connector | H. CPU2 Fan Header | O. SysFan5 Header | V. PCI-X 64/100 Slots |
| B. Auxiliary Signal Connector | I. SysFan2 Header | P. Battery | W. PCI-X 64/133 Slot |
| C. +12V CPU Power Connector | J. SysFan1 Header | Q. Floppy Disk Drive Connector | X. SysFan4 Header |
| D. CPU1 Fan Header | K. Front Panel Connector | R. Front USB Header | Y. SysFan3 Header |
| E. DIMM Sockets | L. Hot-swap Backplane Header | S. Serial B Header | Z. I2C Header |
| F. Processor 1 Socket | M. Secondary IDE Connector | T. Chassis Intrusion Header | AA. Jumper Block |
| G. Processor 2 Socket | N. Primary IDE Connector | U. PCI 32/33 slots | BB. Back Panel I/O Ports |



7 Making Connections to the Server Board

Server Board Connection Quick Reference

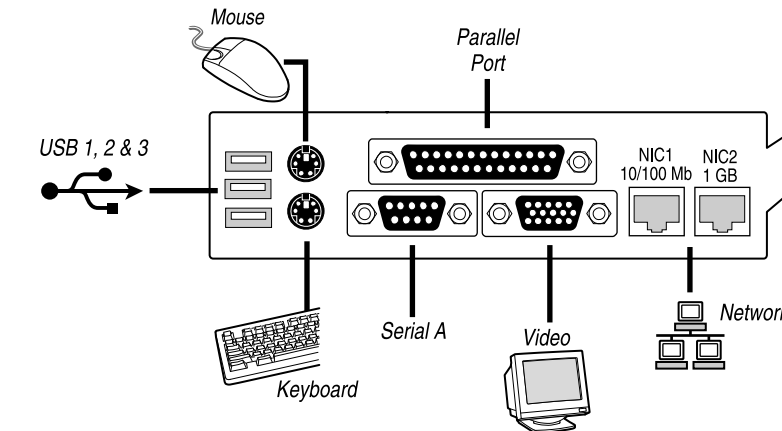
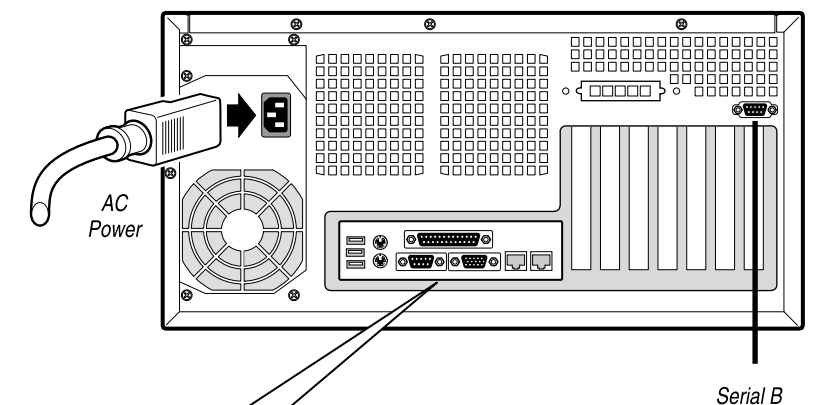
- A. Main Power Connector
- B. Auxiliary Signal Connector
- C. +12V CPU Power Connector
- D. CPU1 Fan Header (top)
- D. CPU2 Fan Header (bottom)
- E. System Fan 1 Header (right)
- E. System Fan 2 Header (left)
- F. Front Panel Connector
- G. Hot-swap Backplane Header
- H. Secondary IDE Connector (top, white connector)
- H. Primary IDE Connector (bottom, black connector)
- I. System Fan 5 Header
- J. Floppy Connector
- K. Front USB Header
- L. Serial B Header
- M. Chassis Intrusion Header
- N. I2C Header
- O. System Fan 3 Header (top)
- O. System Fan 4 Header (bottom)



8 Finishing Up

Before installing your operating system, you must finish your chassis installation and connect I/O connectors and AC power.

1. Replace the chassis cover.
2. See your chassis documentation to complete rack or pedestal installation.
3. Connect your keyboard, mouse, video, and other I/O cables as shown.
4. Connect the AC power cable last.



Common Problems and Solutions

For a list of hardware components that have been tested with this system, see <http://support.intel.com/support/motherboards/server/SE7501CW2>

The system does not boot or show video at power on.

- Check that +12V CPU power connector is plugged in. Without this cable the processors will not have any power.
- If configuring with only one processor verify that the processor is in the Primary Processor socket (CPU 1).
- Beep code 4-3-2-1 means you have unrecognized or bad memory. Remove and replace DIMMs one bank at a time to isolate which one is causing problems.
- Remember, all DIMMs must be:
 - Registered DDR266 compliant (DDR200 DIMMS can be used if a 400 MHz Intel® Xeon™ processor is installed)
 - The same speed
 - From the same manufacturer
 - Installed beginning with DIMM 1A
 - Installed with no empty sockets in between filled sockets
- Your power supply must provide minimum of 450W with 2A standby current, which meets the SSI EPS 12V specification.

The system sometimes works, but is exhibiting erratic behavior.

- This is typically the result of using an under-rated power supply. Make sure you are using at least a 450W power supply.

Accessories and Order Codes

Item	Product Code
Intel® Server Board SE7501CW2	SE7501CW2
Intel® Server Chassis SC5200 Base	KHD3BASE450
Intel® Server Chassis SC5200 Base Redundant Power	KHD3RP450
Intel® Server Chassis SC5250-E (Beige)	KPTBASE450
Intel® Server Chassis SC5250-E (Black)	KPTBASE450BLK
Intel® Server Chassis SC5200 Rack Conversion Kit	AHD2RACK or AHD3RACK
Intel® Server Chassis Hot-Swap SCSI Drive Bay Upgrade Kit	AXX2HSDRVUG
Intel® RAID Controller SRCU42L	SRCU42L
Intel® RAID Controller SRCU32U	SRCU32U
Intel® RAID Controller SRC14L	SRC14L