

Installing the Rail Kit and Racking the LB440GX System

The rail kit that comes with your system allows you to install it into a four-post, network server cabinet (e.g. APC Netshester). If the cabinet is not of this general type, you will have to purchase a separate rail kit that is specific to your cabinet.

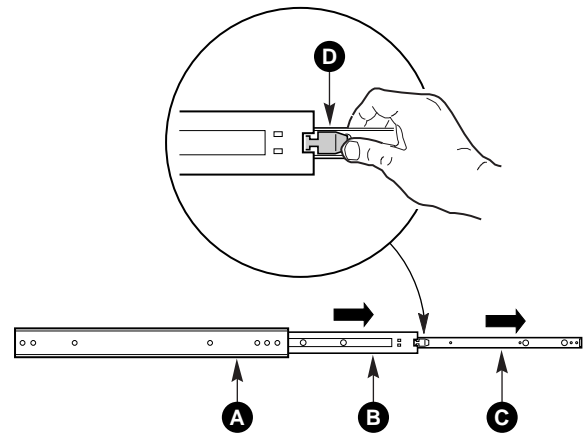
Follow these steps to install the rail kit and place your system into the cabinet.

1. Assemble tools and miscellaneous parts.
You will need a Phillips screwdriver and assorted lock washers and nuts.
2. Remove the inside piece (C) from both sides of the rail system. To remove an inside piece of the rail system, slide the part as far out as you can. This action reveals a brass colored finger tab (D) that when depressed allows you to completely separate the inside rail piece from the outer (A) and middle (B) rail pieces.
3. Align each inside rail (A) to a side of the chassis. Be sure that the flat end of the inside rail is toward the front of the chassis and that the brass colored finger tab (D) is facing outward. With the holes in the chassis (C) aligned with the holes in the rail, fasten the rail using the small (M4x5*) pan head phillips screws (B) supplied with the rail kit.

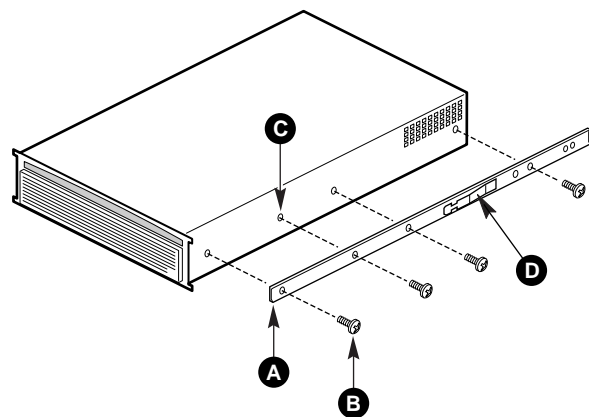
*M4x5 indicates 4 mm diameter, 5 mm length.

CAUTION

Before installing your system into the cabinet rack, refer to the rack-mounting precautions as well as the other safety information found in the *LB440GX 2U Rack Server Platform Quick Start Guide*.



OM09132



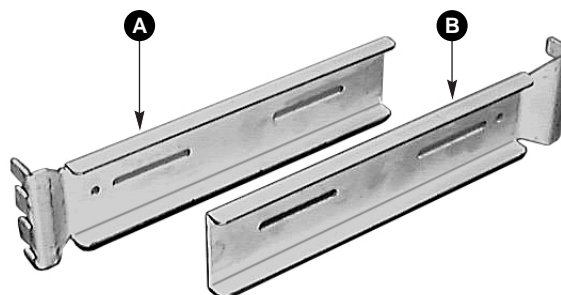
OM09133

Installing the Rail Kit and Racking the LB440GX System (Cont.)

4. Here is a combination side and rear view of the chassis after the right inside rail has been attached.

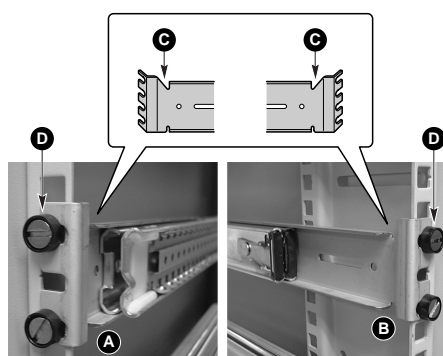


5. Locate the front and rear rail brackets for one side of the rail kit. One pair (A and B) exists for each side of the cabinet rack.



OM09145

6. Attach all four rail brackets to the cabinet rack. Be sure that the sharper angled side of each bracket is facing up (C). Use eight mounting screws (D) provided by the manufacturer or either the large (M5x8*) pan head philips screws or the M5x8* flat head screw. In the illustration to the right, the left photo (A) shows the left-front bracket attached to the cabinet, while the right photo (B) shows the left-rear bracket. (The photo shows the rails inside the brackets. You should not have the rails attached inside the brackets yet.)



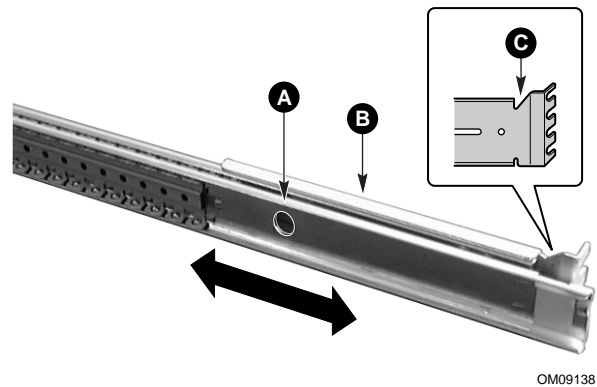
OM09142

*M5x8 indicates 5 mm diameter, 8 mm length.

Installing the Rail Kit and Racking the LB440GX System (Cont.)

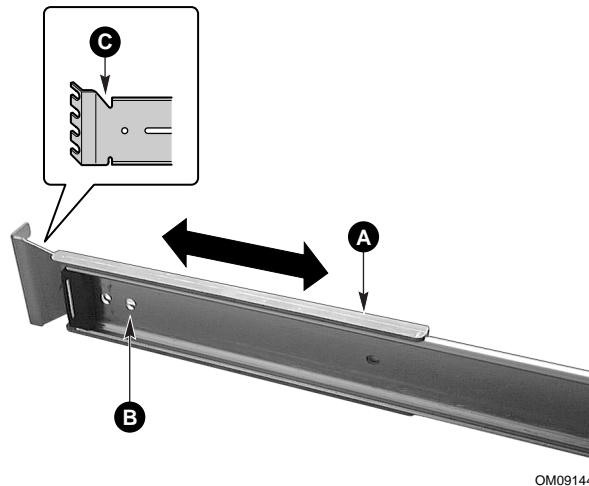
7. Attach the side rail system's outer pieces (total of two) to the rail brackets you installed in step six.

To attach the front part of an outer piece to a rail bracket, you must reveal the access hole (A) by sliding the innermost piece toward the back. Once you see the access hole, align it with the slot in the rail bracket such that you can secure it using the medium (M4x8*) pan head phillips screw and the M4 hex nut. Do not tighten the nut and screw until you have aligned the rear portion of the rail system (see the next step).



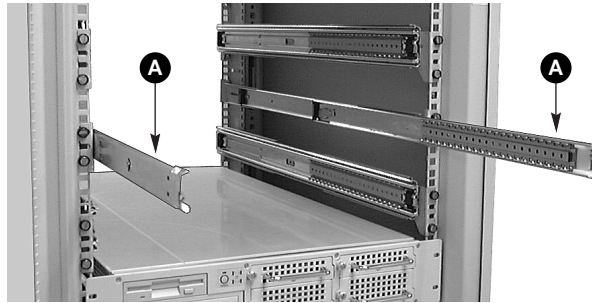
*M4x8 indicates 4 mm diameter, 8 mm length.

8. To attach the rear part of the rail system to the rear rail bracket (A), slide the rail system within the rail brackets such that you can place a screw through the rail's hole (B) and into the rail bracket's slot. Loosely tighten the screw and nut. You should be able to slide the entire rail system back and forth in the rail brackets. When you have centered the rails in the bracket, tighten the fastening screws and nuts.



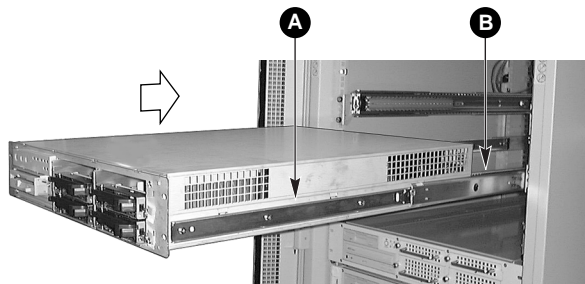
Installing the Rail Kit and Racking the LB440GX System (Cont.)

9. Extend the right and left rails (A) so they fully extend in front of the cabinet rack. The rail system is now ready to receive the chassis.



OM09141

10. Lift the chassis with its front facing you and carefully guide the inner rail (A), which is mounted to the chassis system, into the outer pieces (B) you attached in previous steps. Gently move the system evenly towards the rear of the cabinet. Be sure to depress the brass colored finger tabs located in the center of each inner side rail piece as you slide the chassis back.



OM09143

11. With the chassis fully inserted into the cabinet rack, you can easily access both the front and rear of the system. The photo to the right shows the system from the rear fully inserted into the cabinet.

