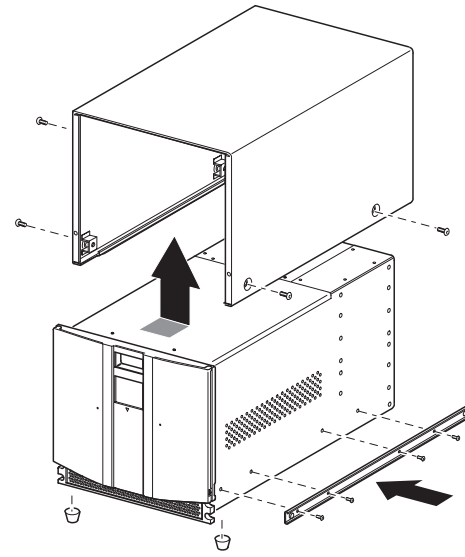


StorageWorks by Compaq

MSL5000 Series Library 7000/9000 Rack Mount Conversion Kit

**Open Card Completely Before
Beginning Installation Procedures**

1 Tabletop to Rackmount Conversion

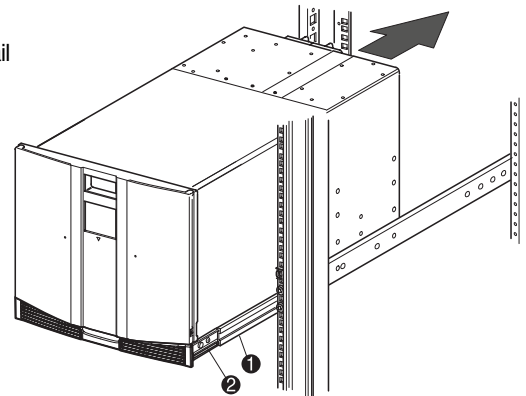


To make the library ready for storage cabinet installation:

- Remove four rubber feet.
- Remove cover.
- Attach the inner rails to the library using the supplied allen wrench and screws. Tighten the screws until snug.

4 Installing the Library

- ① Intermediate Rail
- ② Inner Rail



WARNING: A storage cabinet might become unstable if more than one component is extended for any reason. Extend only one component at a time.

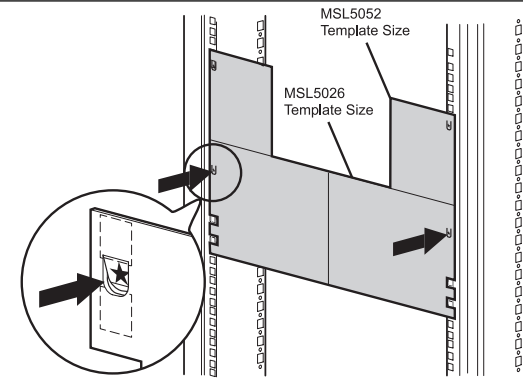


WARNING: Two people are required to perform the next step. Make certain that when the library is fully extended the storage cabinet's weight does not cause the storage cabinet to overbalance.

- Using two people, raise the library and visually align the inner and intermediate slide rails.
- Carefully insert the library's inner slide rails into the extended intermediate slide rails.
- Slide the library completely into the storage cabinet until the front panel touches it.
- Level the rear of the library and then fully tighten the rear rail screws.

2 Using the Rack Template

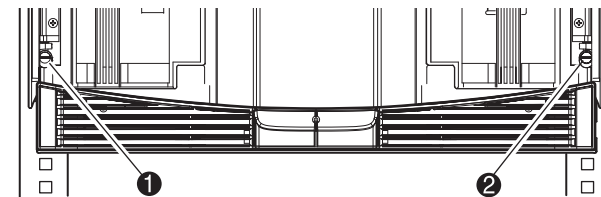
IMPORTANT: When installing an MSL5000 Series Library into a Compaq H9A rack an H9A Rack Rail Adapter Kit part number 254795-001 is required.



Use the template shipped with the library to mark the location of the mounting hardware on the mounting rails of the storage cabinet.

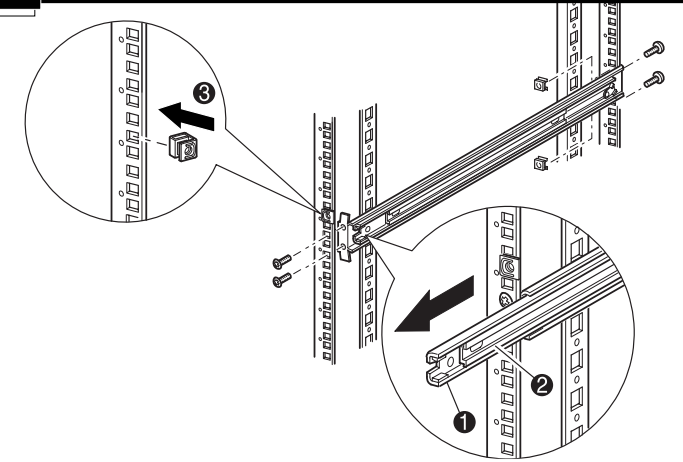
- Push back the tabs in the top of the template and place them in the holes of the mounting rails. Match up the hole pattern printed on the sides of the template with the hole pattern in the mounting rails.
- Make sure to begin measuring in the correct place. If a component is already installed immediately below the planned position of the new component, place the template against the front mounting rails and rest it on top of the previously installed component.
- Use the front of the template to mark the attachment points for mounting brackets, rails, components, or clip nuts on the front of the storage cabinet.
- Use the back of the template to mark the attachment points for mounting brackets, rails, components, or cage nuts on the back of the storage cabinet.

5 Securing the Library



With the doors open, secure the front panel to the storage cabinet using the two retaining screws.

3 Installing the Rails



- Remove the template, then attach the rails using the supplied fasteners. Rail front brackets are threaded to directly accept screws. Rear brackets are not threaded and require installation of cage nuts in the storage cabinet's rear vertical rails. Refer to the *Compaq Rack Products Reference Guide* for detailed cage nut installation instructions.

IMPORTANT: Fully tighten the front rail screws. Leave the rear rail screws "loose" to allow the library to be leveled before it is full secured.

- Fully extend the slide rails ① on both sides of the storage cabinet until they lock.
- Slide the inner bearing race ② as far as possible to the front of the rail assembly.
- Install the two slide-on clip nuts in positions marked ③.

