

## Compaq 10000 Series Racks

The 10000 series racks are a family of 1000mm deep racks which are available in 22U, 36U, 42U and 47U 600mm widths. Compaq 10000 Series Racks provides a common, integrated platform for mounting all Compaq enterprise hardware, including Compaq ProLiant, Compaq Alpha, and Himalaya servers, as well as workstations, networking and Compaq StorageWorks storage products. Many cable management features have been incorporated into this product such as split rear doors with a removable access panel, cable egress in rack roof, cut outs in mounting rails for cabling between racks and straps for bundling cables in addition to increased loading capacity and graphite metallic color.

### **10647 (600mm, 47U)**

**Standard Flat Pallet** 245160-B21

**Crated** 245160-B23

The 10647 rack is a 19" industry-standard rack that provides an enclosure for rack-mountable products with a height capacity of 47U. Perforated front and back doors included. 47U side panels optional.

#### **Dimensions (HxDxW)**

Total Cabinet Area 89.96x 39.69 x 24 in/ 2,285 x 1,008.17 x 612.77 mm

Shipping 95.47x 48 x 32 in/ 2,425 x 1,219.2 x 812.8 mm

#### **Weight**

Operating 245lbs/111kg

Shipping 284lbs/129kg

#### **Color**

Graphite Metallic

**THE 47U RACK CAN NOT BE SHIPPED WITH EQUIPMENT INSTALLED.**



### **10642 (600mm, 42U)**

**Standard Flat Pallet** 245161-B21

**Shock Pallet** 245161-B22

**Crated** 245161-B23

The 10642 rack is a 19" industry-standard rack that provides an enclosure for rack-mountable products with a height capacity of 42U. Perforated front and back doors included. 42U side panels optional.

#### **Dimensions (HxDxW)**

Total Cabinet Area 78.7 x 39.69 x 24 in/ 2,000 x 1,008.17 x 612.77 mm

Shipping 86.22 x 48 x 32 in/ 2,190 x 1,219.2 x 812.8 mm

#### **Weight**

Operating 253 lbs/114.84 kg

Shipping 325 lbs/147.52 kg

#### **Color**

Graphite Metallic



### **10636 (600mm, 36U)**

**Standard Flat Pallet** 245162-B21

**Shock Pallet** 245162-B22

**Crated** 245162-B23

The 10636 rack is a 19" industry-standard rack that provides an enclosure for rack-mountable products with a height capacity of 36U. Perforated front and back doors included. 36U side panels optional.

#### **Dimensions (HxDxW)**

Total Cabinet Area 68.6 x 39.69 x 24 in/ 1,742 x 1008.17 x 612.77 mm

A "U" is the measuring unit for racks and rack-mountable components. 1U = 1.75" or 44.45 mm.



For more information on how to purchase these Compaq Racks, Options, and Accessories contact a Compaq Representative at 1-800-AT-COMPAQ.

Shipping	75.25x 48 x 32 in/ 1,911x 1,219.2 x 812.8 mm
<b>Weight</b>	
Operating	220 lbs/100 kg
Shipping	272 lbs/123 kg
<b>Color</b>	Graphite Metallic

---

### **10622 (600mm, 22U)**

<b>Standard Flat Pallet</b>	<b>245163-B21</b>
<b>Shock Pallet</b>	<b>245163-B22</b>
<b>Crated</b>	<b>245163-B23</b>

The Rack 10622 a 19" industry-standard rack that provides an enclosure for rack-mountable products with a height capacity of 22U. Perforated front and back doors, side panels, and stabilizer come standard.



#### **Dimensions (HxDxW)**

Total Cabinet Area	43 x 39.691 x 24 in/ 1,092 x 1,008.17 x 612.77 mm
Shipping	52.25 x 48 x 32 in / 1,327.15 x 1,219.2 x 812.8 mm

#### **Weight**

Operating	176 lbs/ 79.89 kg
Shipping	225 lbs/102.13 kg

#### **Color**

Graphite Metallic

---

### **10842 (800mm, 42U)**

<b>Standard Flat Pallet</b>	<b>245415-B21</b>
<b>Shock Pallet</b>	<b>245415-B22**available in EMEA only</b>

The Rack 10842 19" is an industry-standard rack that provides an enclosure for rack-mountable products with a height capacity of 42U. It is designed to be used exclusively as a switching rack or IT with additional room for cable management on the outside of the mounting rails. Perforated front and back doors and cable conduit on the sides of the rails ship standard on this rack.

#### **Dimensions (HxDxW)**

Total Cabinet Area	78.7 x 39.391 x 31.5 in / 2,000 x 1,008.17 x 800 mm
Shipping	85 x 48 x 43.5 in / 2,159 x 1,219.2 x 1,104.9 mm

#### **Weight**

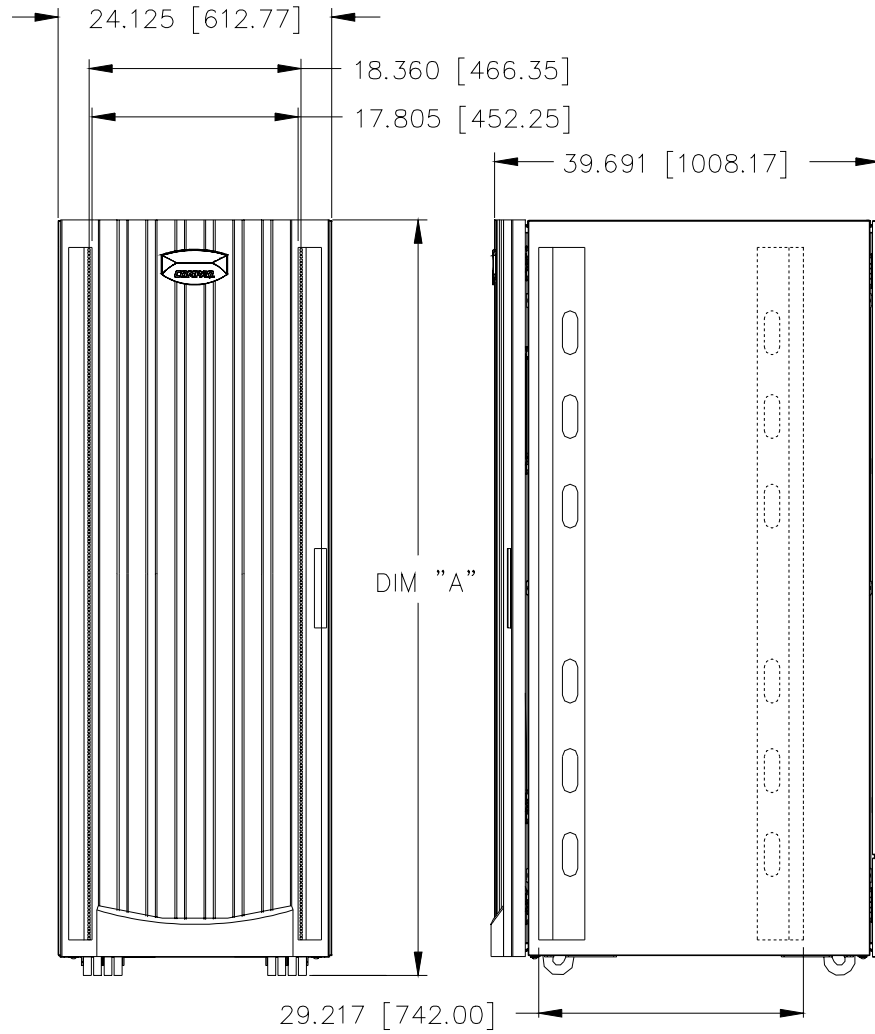
Operating	295 lbs/ 133.8 kg
Shipping	335 lbs/ 151.95 kg

#### **Color**

Graphite Metallic

A "U" is the measuring unit for racks and rack-mountable components. 1U = 1.75" or 44.45 mm.

For more information on how to purchase these Compaq Racks, Options, and Accessories contact a Compaq Representative at 1-800-AT-COMPAQ.



10647  
DIM "A" 89.96 in / 2,285 mm

10642  
DIM "A" 78.7 in / 2,000 mm

10636  
DIM "A" 68.6 in / 1,742 mm

10622  
DIM "A" 43 in / 1,092 mm

10842  
DIM "A" 78.7 in / 2,000 mm

A "U" is the measuring unit for racks and rack-mountable components. 1U = 1.75" or 44.45 mm.

For more information on how to purchase these Compaq Racks, Options, and Accessories contact a Compaq Representative at 1-800-AT-COMPAQ.

## Compaq 10000 Series Racks Options

Several options are available exclusively for the 10000 series racks. The 10000 series rack will accommodate other rack accessories such as KVM switches, monitors, keyboards, integrated keyboard/monitors, CMC, PDUs and UPS offered by Compaq.

### Shelving, Mounting and Grounding Kits

#### 10000 Baying Kit (carbon)

**Worldwide 248929-B21**

The baying kit is used to join two or more racks together in minutes to create a multi-bay configuration. The baying kit supports 24" and 600mm floor tile spacing. Sides of adjacent rack frames are joined together and optional side panels are then placed on the two ends of the multi-bay configuration.

---

#### 9000/10000 Offset Baying Kit

**42U 248931-B21**

This baying kit is used to connect 9000 and 10000 series racks of the same U heights together. The kit includes the baying kit hardware in addition to a 100mm deep, graphite metallic panel to cover up the gap on the side of the 10000 series rack.

---

#### Side Panel (graphite metallic)

**47U – Graphite Metallic 255486-B21**

**42U – Graphite Metallic 246099-B21**

**36U – Graphite Metallic 246102-B21**

Locking side panels for the 47U, 42U and 36U models of the 10000 series racks. Two side panels included in kit and no tools are required to install.

NOTE: The 10622 rack ships with side panels installed.

---

#### Grounding Option Kit

**9000/10000 260457-B21**

This kit can be used with both the 9000 and 10000 series racks. This product essentially reduces the electromagnetic emissions that may be given off by electronic components operating within the rack cabinet. The grounding kit ties all the conductive structural components the Rack together with conductive cables and is designed to be attached to a ground bonding point on the cables and is designed to be attached to a ground bonding point on the Rack's AC Power Distribution Device. This option will be used predominately by the Compaq Custom Systems Organization to configure Compaq Racks with the Alpha Server products.



## Stabilization

#### Ballast Option Kit

**Worldwide 120672-B21**

This kit can be used on both the 9000 and 10000 series racks. The Ballast Kit is designed to provide additional stability and support when used with the Stabilizer Kit. It is typically used when very heavy equipment is routinely installed, removed or accessed within the rack.



A "U" is the measuring unit for racks and rack-mountable components. 1U = 1.75" or 44.45 mm.

For more information on how to purchase these Compaq Racks, Options, and Accessories contact a Compaq Representative at 1-800-AT-COMPAQ.

---

**Stabilizer Option Kit (graphite)****600mm wide                    246107-B21****800mm wide                    255488-B21**

An anti-tip stabilizer provides stability and support when equipment is installed, removed or accessed within the rack. It is recommend you use a stabilizer option kit with a stand-alone rack.

---

**Thermal Management****Roof Mounted Fan Kit (graphite)****110V                                257413-B21****220V                                257414-B21**

Roof-mounted extractor fan kit enhances natural convection cooling by increasing the airflow in the rack. This option mounts on the top of the 9000 Series rack and is available in both a low voltage and high voltage model.

---

**Blanking Panel Kit (graphite)****10 each 1U                        253214-B21****10 each 2U                        253214-B22****10 each 3U                        253214-B23****10 each 4U                        253214-B24****10 each 5U                        253214-B25****Multi                                253214-B26**

Blanking Panels are sheet metal plates used to cover any unused area within the rack. This helps facilitate proper airflow to the rack components and prevents the short-circuiting of the cool air within the rack.

---

A "U" is the measuring unit for racks and rack-mountable components. 1U = 1.75" or 44.45 mm.

For more information on how to purchase these Compaq Racks, Options, and Accessories contact a Compaq Representative at 1-800-AT-COMPAQ.