

COMPAQ

KZPEA

User's Guide

Order Number: EK-KZPEA-UG. A01

This guide is intended for use by customer service engineers and self-maintenance customers installing a KZPEA adapter in *Compaq AlphaServer* systems or workstations.

Compaq Computer Corporation

First Printing, April 2000

The information in this publication is subject to change without notice.

COMPAQ COMPUTER CORPORATION SHALL NOT BE LIABLE FOR TECHNICAL OR EDITORIAL ERRORS OR OMISSIONS CONTAINED HEREIN, NOR FOR INCIDENTAL OR CONSEQUENTIAL DAMAGES RESULTING FROM THE FURNISHING, PERFORMANCE, OR USE OF THIS MATERIAL.

This publication contains information protected by copyright. No part of this publication may be photocopied or reproduced in any form without prior written consent from Compaq Computer Corporation.

The software described in this guide is furnished under a license agreement or nondisclosure agreement. The software may be used or copied only in accordance with the terms of the agreement.

© 2000 Compaq Computer Corporation.

All rights reserved. Printed in the U.S.A.

Alpha, AlphaServer, OpenVMS, and StorageWorks are registered in the U.S. Patent and COMPAQ, the Compaq logo, and Tru64 are copyrighted and are trademarks of Compaq Computer Trademark Office. Linux is a registered trademark of Linus Torvalds in several countries. Microsoft, Windows, and Windows NT are registered trademarks of Microsoft Corporation. UNIX is a registered trademark in the U.S. and other countries, licensed exclusively through X/Open Company Ltd. Other product names mentioned herein may be the trademarks of their respective companies.

FCC Notice: The equipment described in this manual generates, uses, and may emit radio frequency energy. The equipment has been type tested and found to comply with the limits for a Class A digital device pursuant to Part 15 of FCC rules, which are designed to provide reasonable protection against such radio frequency interference. Operation of this equipment in a residential area may cause interference in which case the user at his own expense will be required to take whatever measures may be required to correct the interference. Any modifications to this device—unless expressly approved by the manufacturer—can void the user's authority to operate this equipment under part 15 of the FCC rules.

Shielded Cables: If shielded cables have been supplied or specified, they must be used on the system in order to maintain international regulatory compliance.

Warning! This is a Class A product. In a domestic environment this product may cause radio interference in which case the user may be required to take adequate measures.

Achtung! Dieses ist ein Gerät der Funkstörgrenzwertklasse A. In Wohnbereichen können bei Betrieb dieses Gerätes Rundfunkstörungen auftreten, in welchen Fällen der Benutzer für entsprechende Gegenmaßnahmen verantwortlich ist.

Attention! Ceci est un produit de Classe A. Dans un environnement domestique, ce produit risque de créer des interférences radioélectriques, il appartiendra alors à l'utilisateur de prendre les mesures spécifiques appropriées.

警告使用者:

這是甲類的資訊產品，在居住的環境中使用時，可能會造成射頻干擾，在這種情況下，使用者會被要求採取某些適當的對策。

に基づくクラスA情報技術装置です。この装置を家庭環境で使用すると電波妨害を引き起こすことがあります。この場合には使用者が適切な対策を講ずるよう要求されることがあります。

Contents

Preface	vii
----------------------	-----

Chapter 1 Introduction

1.1	Physical Description	1-2
1.2	Specifications	1-4
1.3	Wide Ultra3 SCSI Support.....	1-5
1.3.1	SCSI Channel Assignments.....	1-6
1.3.2	SCSI IDs	1-6
1.3.3	Multiple Adapter Installation.....	1-7
1.3.4	SCSI Termination.....	1-7
1.3.5	SCSI Cables	1-8
1.3.6	SCSI Cable Connectors.....	1-9

Chapter 2 Installing the KZPEA Adapter

2.1	Installation Preparation	2-2
2.1.1	System Requirements.....	2-2
2.1.2	Prepare the KZPEA for Installation.....	2-3
2.1.3	Prepare the System.....	2-4
2.2	Install the KZPEA.....	2-5
2.3	Cable the KZPEA.....	2-8
2.3.1	Internal SCSI Connections.....	2-9
2.3.2	Completing the Installation.....	2-10

Chapter 3 Using the SCSI Configuration Utility

3.1	SCSI Configuration Utility	3-2
3.1.1	Starting Configuration Utility on BIOS Supported Systems	3-4
3.1.2	Starting Configuration Utility on Non-BIOS Supported Systems ..	3-5

Chapter 4 Troubleshooting

4.1	System Power-On Problems.....	4-2
4.2	SCSI Device Problems.....	4-3
4.3	Console Diagnostics	4-4

Appendix A Electrostatic Discharge

Index

Examples

2-1	Show Configuration Command.....	2-11
3-1	Show BIOS and Run BIOS Commands.....	3-4
3-2	Invoking SCSI Configuration Utility with AlphaBIOS	3-5
4-1	Show Configuration Command.....	4-4
4-2	Show Device Command.....	4-8

Figures

1-1	KZPEA Adapter	1-2
1-2	SCSI Cable Connectors	1-9
2-1	Installing the KZPEA.....	2-5
2-2	Connecting the LED Connector	2-6
2-3	J3 and J5 Jumpers.....	2-7
2-4	SCSI Cables.....	2-8

Tables

1-1	KZPEA Specifications	1-4
1-2	External Cable Part Numbers	1-8
2-1	KZPEA Requirements.....	2-2
2-2	KZPEA Adapter Kit Contents.....	2-3
2-3	SCSI Cabling.....	2-8
3-1	SCSI Options.....	3-2
4-1	Troubleshooting Power-On Problems	4-2
4-2	Troubleshooting SCSI Devices	4-3

Preface

Intended Audience

This manual is written for customer service engineers and self-maintenance customers who require information to install a KZPEA adapter in *Compaq Alpha* systems or workstations.

Document Structure

This manual uses a structured documentation design. Topics are organized into small sections, usually consisting of two facing pages. Most topics begin with an abstract that provides an overview of the section, followed by an illustration or example. The facing page contains descriptions, procedures, and syntax definitions.

This manual has four chapters and one appendix.

- **Chapter 1, Introduction**, describes the KZPEA adapter, gives its physical description, and provides cable information.
- **Chapter 2, Installing the KZPEA Adapter**, shows how to install the adapter in an *AlphaServer* system or workstation.
- **Chapter 3, Using the SCSI Configuration Utility**, shows how to use the SCSI configuration utility.
- **Chapter 4, Troubleshooting**, explains how to troubleshoot system power-on and SCSI device problems and how to use console commands to aid in troubleshooting.
- **Appendix A, Electrostatic Discharge**, summarizes some of the considerations to be aware of when handling adapters and working on systems.

Conventions Used in This Document

This document uses the following conventions to distinguish elements of text:

Keys	Keys appear in boldface. A plus sign (+) between two keys indicates that they should be pressed simultaneously.
USER INPUT	User input appears in a different typeface and in uppercase.
<i>FILENAMES</i>	File names appear in uppercase italics.
Menu Options, Command Names, Dialog Box Names	These elements appear in initial capital letters.
COMMANDS, DIRECTORY NAMES, DRIVE NAMES	These elements appear in uppercase.
Type	When you are instructed to <i>type</i> information, type the information without pressing the Enter key.
Enter	When you are instructed to <i>enter</i> information, type the information and then press the Enter key.

Information on the Internet

Visit the Compaq Web site at www.compaq.com for service tools and more information about *AlphaServer* systems and workstations.

Chapter 1

Introduction

The *Compaq* KZPEA adapter is a 64-bit/66 MHz PCI, dual-channel Ultra3 SCSI controller that interfaces directly with a Peripheral Component Interface (PCI) local bus. It supports both external *Compaq* StorageWorks or internal storage devices on *AlphaServers* and workstations, per LVD Ultra3 SCSI channels. The adapter supports no more than 15 SCSI drives per channel or 30 SCSI drives per adapter. The SCSI buses can be connected to disk drives, CD-ROM drives, tape drives, and other SCSI devices. More than one host adapter can be installed in the same host computer.

The SCSI processor negotiates with each device on the SCSI bus to establish the maximum data transfer rate, based on the SCSI specifications, between the host adapter and the device. It also automates SCSI command processing and significantly reduces the number of interrupts and command overhead. The host adapter supports multi-threaded I/O operations, thereby allowing simultaneous operations on multiple SCSI targets or Logical Unit Numbers (LUNs). In systems with multiple targets, the Disconnect/Reconnect feature optimizes SCSI bus usage. In systems that support fragmented memory buffers, the Scatter/Gather feature provides high performance.

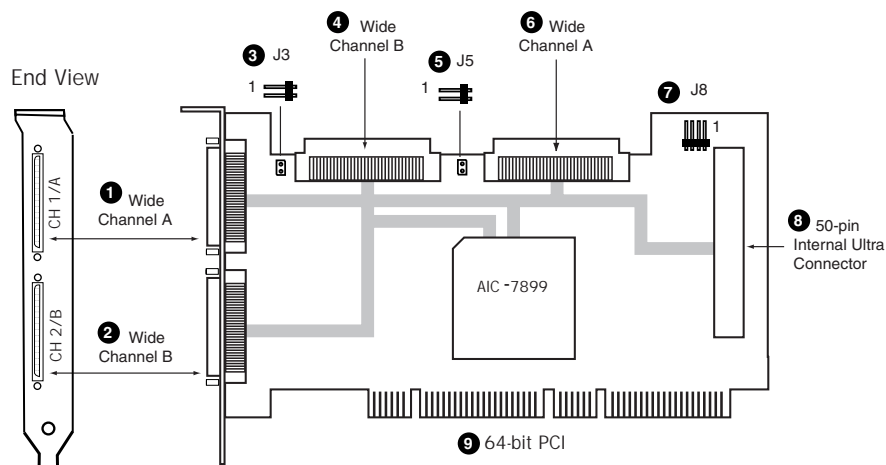
Sections in this chapter include:

- Physical Description
- Specifications
- Wide Ultra3 SCSI Support

1.1 Physical Description

The KZPEA adapter components are mounted on a 4-inch by 7-inch printed circuit board that is inserted in a PCI expansion slot on the host computer motherboard.

Figure 1-1 KZPEA Adapter



- ① 68-pin VHDCI external connector, Channel 1/A
- ② 68-pin VHDCI external connector, Channel 2/B
- ③ J3 termination jumper, SCSI Channel 2/B
- ④ 68-pin HD internal SCSI connector, Channel B
- ⑤ J5 termination jumper, SCSI Channel 1/A
- ⑥ 68-pin HD internal SCSI connector, Channel 1/A
- ⑦ J8, SCSI activity LED (SCSI Channel 1/A, 2/B)
- ⑧ 50-pin internal SCSI connector (CD-ROM and/or tapes), Channel 1/A
- ⑨ 64-bit PCI connector

The KZPEA adapter has the following features:

- Self-resetting term power.
- Multiple Logical Unit Numbers (LUNs) for robotics control commands.
- Onboard NVRAM and SCSI Utility.
- PCI 2.2 compliant.
- Supports universal 32-bit PCI and universal 64-bit PCI.
- Supports 33 MHz and 66 MHz PCI.
- Contains one 50-pin narrow SCSI internal connector to support legacy devices such as CD-ROMs. This cable supports up to seven devices.
- Automatically detects and communicates with Wide Ultra3, Wide Ultra2, Wide Ultra SCSI-3, Fast Wide SCSI-2, or Fast SCSI-2 devices.
- Supports Wide Ultra3 SCSI, a 16-bit 40 MHz bus that provides a 160 Mbytes/sec data transfer rate.
- Contains two 68-pin HD wide SCSI internal connectors that support Wide Ultra3 SCSI, Wide Ultra2 SCSI, Wide Ultra SCSI-3, and Fast SCSI-2 devices.
- Contains two Very High-Density Cable Interconnect (VHDCI) external connectors that support Wide Ultra3 SCSI, Wide Ultra2 SCSI, Wide Ultra SCSI-3, and Fast Wide SCSI-2 devices.

NOTE: *Double Transition (DT) clocking doubles data throughput to 160 megabytes per second. This is done by sending two pieces of data per clock pulse instead of one, thereby doubling the throughput without increasing the processor's clock speed.*

NOTE: *Devices may be connected to the 50-pin connector or Channel 1/A LVDs, but not to both.*

1.2 Specifications

Table 1-1 lists the KZPEA adapter electrical and environmental specifications.

Table 1-1 KZPEA Specifications

Electrical	Specification
Voltage	+ 5V DC (+/- 5%) at 1.1A
Power consumption	5.5 watts
Environmental (operating)	Specification
Temperature	0°C – 50° (32°F – 122°F)
Relative humidity	20% – 80%
Altitude	3048 meters (10,000 feet)

NOTE: *Maximum operating temperature reduced by a factor not more than 1.8°C per 1000-meter increase in altitude.*

1.3 Wide Ultra3 SCSI Support

The KZPEA adapter provides 64-bit PCI bus master operation and SCSI data transfer rates of up to 160 MB/s, provided all components are Wide Ultra3 capable.

This combination allows high throughput in many network application environments, including resource-sharing, database-servicing, and high-performance backup solutions.

The adapter also supports tagged command queuing, which allows SCSI hard drives to queue and sort multiple commands, then execute those commands simultaneously.

The KZPEA adapter complies with ANSI SCSI-3 standards, supporting Wide Ultra3 SCSI, Wide Ultra2 SCSI, Wide-Ultra SCSI-3, Fast-Wide SCSI-2, and Fast-SCSI-2 devices. The KZPEA adapter can support several different SCSI devices at one time.

The KZPEA adapter interface to the server processor is the PCI local bus. The PCI bus is a high-performance, 64-bit bus with multiplexed address and data lines. The PCI bus provides a high-speed (up to 528 MB/s) path between the system unit and peripherals. Peripheral devices, such as Wide Ultra3 SCSI adapters, benefit the most from the high I/O performance of the PCI bus.

The KZPEA adapter is compatible in a 32-bit/33 MHz, 64-bit/33 MHz, or 64-bit/66 MHz PCI slot.

The 64-Bit/66 MHz Wide Ultra3 SCSI adapter is a PCI bus master device and conforms to Rev. 2.1 and 2.2 of the PCI Local Bus Specification.

1.3.1 SCSI Channel Assignments

SCSI channel 1/A and SCSI channel 2/B of the KZPEA adapter each support one external VHDCI connector or internal 68-pin HD SCSI connector. SCSI channel 1/A also has a 50-pin SCSI connector for CD-ROMs and tape support. Only a single cable (internal or external) may be attached to each channel at a time.

CAUTION: *Do not connect SCSI cables to the internal connector and external connectors at the same time. Only the external VHDCI connector or the internal 68-pin connector is supported.*

1.3.2 SCSI IDs

The KZPEA adapter contains two SCSI buses (SCSI channel 1/A and SCSI channel 2/B) that support up to 15 peripherals each. Each SCSI bus has both an internal and an external connector. The peripherals on each bus must have a unique SCSI ID ranging from 6 to 0, then 15 to 8, with 6 being the highest priority and 8 being the lowest priority. SCSI IDs on all peripherals must be either set manually with switches or jumpers on the device itself, or set automatically by Compaq products that support warm-swappable drives. The SCSI IDs determine the priority of the peripheral device when it attempts to access the SCSI bus. Your *AlphaServer* or *Alpha* workstation assigns the SCSI adapter to the highest priority by setting the ID of the adapter to 7.

1.3.3 Multiple Adapter Installation

The following considerations apply when you install more than one KZPEA adapter:

- Each adapter has two independent SCSI channels. Each channel supports up to 15 drives.
- Each SCSI channel has its own set of unique SCSI IDs (from 0 to 6 and 8 to 15). Each drive on a bus must be assigned its own unique ID.

1.3.4 SCSI Termination

Both SCSI buses require termination at both ends of the bus to prevent signal degradation. The KZPEA adapter supplies the termination power at the adapter end of the SCSI bus.

To obtain Ultra3 and Ultra2 performance, the bus must have multi-mode or LVD-only terminators. Ultra and Fast-Wide SCSI are SE and have multi-mode or SE termination.

CAUTION: *To prevent error messages, an integrated SCSI controller on the system board of an AlphaServer or workstation must be terminated at all times. Mid-bus configurations are not supported.*

External SCSI buses must also be terminated. This termination is supplied in Compaq internal and external storage systems. Individual SCSI devices in Compaq storage systems should not contain bus termination.

1.3.5 SCSI Cables

Cables are provided with most Compaq server products that require cabling. If you find that you need an additional cable or that one was not provided with your server product, you can order the necessary cables from your local Compaq Reseller or authorized Compaq Service Provider. See Table 1-2 for external cable part numbers.

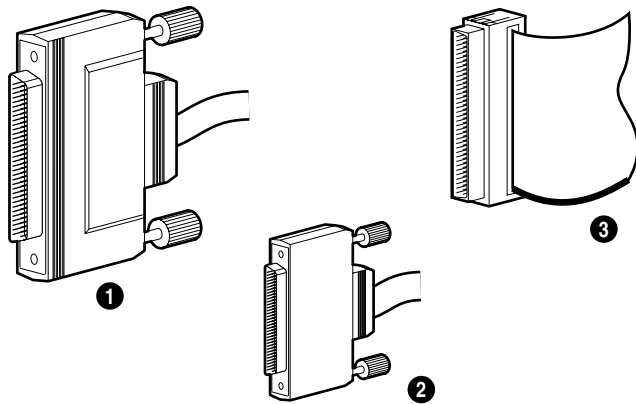
Table 1-2 External Cable Part Numbers

VHDCI to VHDCI Cable Length	Part Number	Alternate Part Number
0.5 meter (1.64 feet)	BN37A-0E	400984-001
1 meter (3.28 feet)	BN37A-01	N/A
2 meter (6.6 feet)	BN37A-02	400982-002
3 meter (9.8 feet)	BN37A-03	189505-B21
3.7 meter (12 feet)	3R-A0457-AA	341175-B21
5 meter (16.4 feet)	BN37A-05	400983-005
10 meter (32.8 feet)	BN37A-10	400985-010
15 meter (49.2 feet)	BN37A-15	400986-015
20 meter (65.6 feet)	BN37A-20	400987-020
25 meter (82.0 feet)	BN37A-25	N/A

1.3.6 SCSI Cable Connectors

To identify the various SCSI cables required for installing a KZPEA adapter in various configurations of *Compaq AlphaServers* and workstations, see Figure 1-2.

Figure 1-2 SCSI Cable Connectors



- ❶ External 68-pin wide SCSI connector (Not used on KZPEA)
- ❷ External VHDCI SCSI connector
- ❸ Internal 68-pin HD SCSI connector

Keep these characteristics of SCSI cables in mind:

- External VHDCI cables are round and have thumbscrews on the connectors. These connector heads are smaller than the 68-pin internal wide SCSI connector heads.
- Internal SCSI cables are flat ribbon cables with push-on connectors.
- Internal 68-pin wide SCSI ribbon cables (Wide-Ultra SCSI-3 and Fast-Wide SCSI-2) are narrower than 50-pin SCSI (Fast-SCSI-2) cables.
- Compaq SCSI cables are keyed so they cannot be installed incorrectly.

Chapter 2

Installing the KZPEA Adapter

This chapter describes installing the KZPEA adapter in *AlphaServer* systems or workstations. This chapter covers the following topics:

- Installation Preparation
- Install the KZPEA
- Cable the KZPEA



WARNING: Many servers are capable of producing energy levels that are considered hazardous and are only intended to be serviced by qualified personnel trained in dealing with these hazards. Do not remove enclosures or attempt to bypass any interlocks that may be provided for the purpose of removing these hazardous conditions.

To reduce the risk of personal injury or damage to the equipment, see the documentation supplied with your *AlphaServer* or workstation, and observe the appropriate safety precautions and option installation instructions.

2.1 Installation Preparation

Check system requirements and verify that you have received all items in the KZPEA adapter kit. Perform an orderly shutdown of the system. Prepare the system and adapter for installation. Install and cable the adapter.

2.1.1 System Requirements

Table 2-1 KZPEA Requirements

Item	Requirements
System Hardware	<i>AlphaServer</i> system or workstation with a PCI local bus, an available PCI slot, hard drive space to load software drivers as necessary, and system documentation.
Cables	SCSI cables necessary to connect SCSI devices to the KZPEA.
Operating System	<i>OpenVMS</i> . Your version may require a TIMA kit, which may be obtained from your authorized service representative, or from: http://www.compaq.com/support/ <i>Tru64 UNIX</i> . Your version may require a driver, which may be obtained from your authorized service representative, or from: http://www.compaq.com/support/
Firmware	Alpha firmware upgrade CD 5.7 or higher.
Other	Supported internal/external drive enclosure, when used.

2.1.2 Prepare the KZPEA for Installation

Table 2-2 KZPEA Adapter Kit Contents

Part Number	Description
3X-KZPEA-DB	Dual-Channel PCI-to-Ultra3 SCSI Host Bus Adapter
EK-KZPEA-UG	<i>KZPEA User's Guide</i>
EK-KZPEA-RN	<i>KZPEA Release Notes</i>

SCSI Termination

The KZPEA host adapter has dual-SCSI channel capability, and each bus must be terminated at both ends of the bus. The adapter can be located only at the beginning of the bus; consequently, termination on the host adapter itself must be enabled. Verify that the termination jumpers, J3 and J5, on the host adapter (see Figure 1-1) are installed to enable termination on both channels.

Furthermore, only the wide- or narrow-SCSI connectors on the 1/A-channel may be used, but not both.

SCSI IDs

Each device and host adapter on the SCSI bus must have a unique SCSI ID. It is recommended that the KZPEA adapter be left at its default ID of 7. If it is necessary to change the KZPEA adapter ID, refer to Table 3-1, SCSI Options.

On all *AlphaServers* and workstations, AlphaBIOS may be used to access the on-board SCSI Configuration Utility.

On most *AlphaServers* and workstations, the on-board SCSI Configuration Utility can be accessed via the special SRM console command.

On a 16-bit SCSI bus, each device must have a unique SCSI ID from 0 to 15. Since the KZPEA default ID is 7, all other devices on the bus should be given IDs from 6 to 0 and 15 to 8, with 6 being the highest priority and 8 being the lowest priority. SCSI IDs on all peripherals must be either manually set with switches or jumpers on the device itself, or automatically set on Compaq products that support hot-pluggable drives. The SCSI IDs determine the priority of the peripheral device when attempting to access the SCSI bus. The server assigns the SCSI adapter to the highest priority by setting the ID of the adapter to 7. For maximum performance, connect low-throughput peripheral devices, such as tape drives, on a SCSI bus separate from high-throughput devices, such as hard drives. If both low- and high-throughput devices must be connected to the same bus, assign the lower-throughput devices a higher SCSI ID priority. This allows the low-throughput devices access to the bus. Refer to the device documentation for instructions on setting the SCSI ID for that device (not all operating system versions support SCSI IDs above 7).

2.1.3 Prepare the System

To prepare your *AlphaServer* or workstation:

- Back up your *AlphaServer* or workstation data files.
- Perform an orderly shutdown of the system.
- Turn off all peripheral devices attached to the system.
- Unplug the system AC power cord from the outlet and then unplug the cord from the system.
- Disconnect all peripheral devices attached to the system that are connected to other systems during the KZPEA installation.
- Open the system cabinet for access to the PCI.

For instructions on opening your system cabinet, refer to the documentation that came with your *AlphaServer* or workstation.

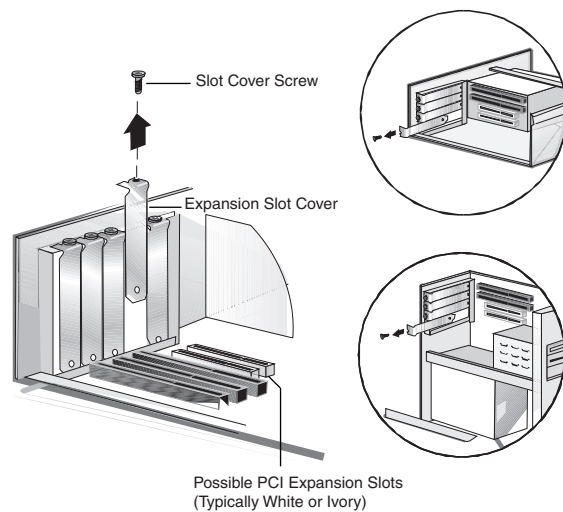


WARNING: To reduce the risk of personal injury from hot surfaces, allow the internal system components to cool before touching them. When working with rackmounted systems, make certain the equipment rack is stable before continuing.

2.2 Install the KZPEA

Install the KZPEA adapter in the AlphaServer or workstation PCI slot as shown in Figure 2-1.

Figure 2-1 Installing the KZPEA



Install the KZPEA adapter as follows:

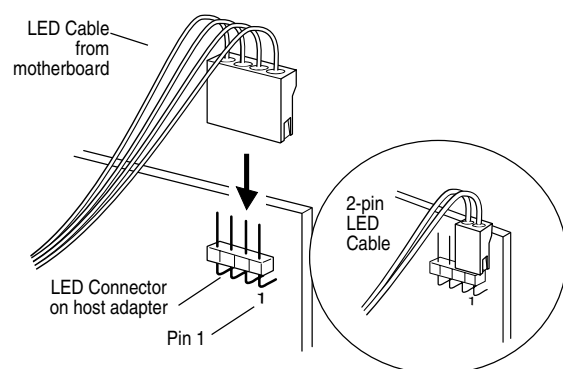
1. Use an ESD ground strap when handling the adapter module.
2. Locate an available PCI bus expansion slot. Make certain there are no restrictions for the PCI slot into which you will install the KZPEA. See the documentation that came with your *AlphaServer* or workstation for the location.
3. Depending on your *AlphaServer* or workstation model, remove the retaining screw (see Figure 2-1) or open the expansion slot latches that secure the PCI slots.
4. Remove the slot cover (see Figure 2-1) from the PCI slot. Save this protective cover for future use.

5. Install the KZPEA adapter into the PCI slot and press it firmly into place. The contacts on the adapter edge should be fully seated in the system board connector.
6. Depending on your *AlphaServer* or workstation model, secure the adapter by replacing the retaining screw or by closing the slot latch.
7. Do not install the computer cover or reconnect power until all the SCSI devices are connected.
8. Connect the (optional feature) LED connector, as shown in Figure 2-2.
9. J3 and J5 should have jumpers factory-installed across pins 1 and 2, that must remain installed for all applications as shown in Figure 2-3.

Connecting the LED Connector

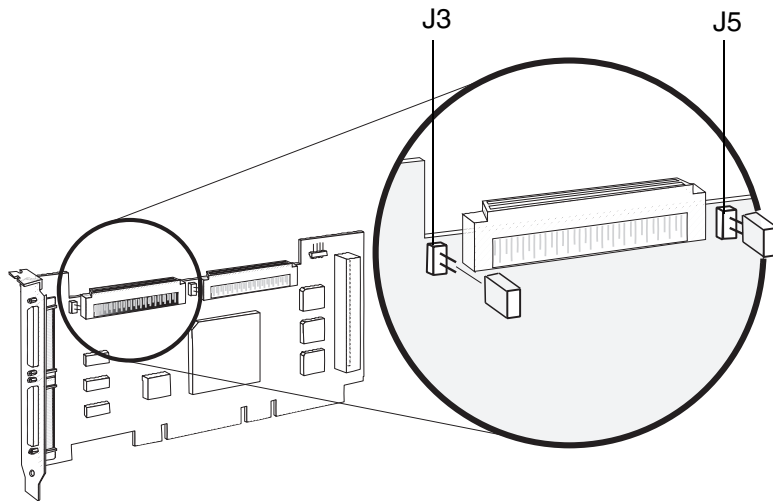
Most computers have a disk activity LED on the front panel of the system cabinet. If you choose to disconnect the cable from the LED connector on the motherboard and connect it to the LED connector on the SCSI card, as shown in Figure 2-2, the LED on the front panel of the computer will light whenever there is activity on the SCSI bus. Pins 2,3 are for the LED cathode and pins 1,4 for the LED anode.

Figure 2-2 Connecting the LED Connector



NOTE: *With the LED cable connected to the SCSI card, the LED disk activity light may not indicate disk activity on non-SCSI disk drives.*

Figure 2-3 J3 and J5 Jumpers



2.3 Cable the KZPEA

Each KZPEA adapter channel can be connected to external SCSI devices (located in outside units) or to internal SCSI devices (located in the server).

Figure 2-4 SCSI Cables

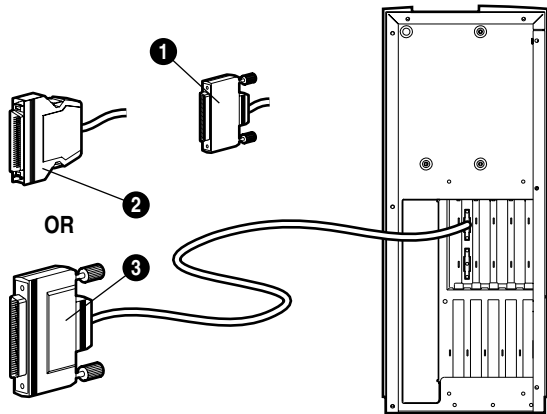


Table 2-3 SCSI Cabling

Connector	Description
❶	VHDCI - VHDCI cable
❷	VHDCI - to - narrow SCSI cable
❸	VHDCI - to - wide SCSI cable

NOTE: *In order to run in wide Ultra3 mode, all components, including the cable, must be Ultra3-capable.*

2.3.1 Internal SCSI Connections

NOTE: *Do not connect SCSI cables to both internal and external connectors from the same port. If you have both SE and LVD devices on your server, use a separate port for each.*

Placing Hard Drives or Other Devices on a Separate SCSI Bus

To add a separate SCSI bus, you may need an internal SCSI cable designed specifically for your *AlphaServer* model. Refer to your *AlphaServer* or workstation documentation to determine if you need an additional cable. If the cable was not provided with your system, you can obtain it from your local Compaq reseller or service personnel.

Proceed as follows:

1. Remove any devices that are to be moved to the new SCSI bus, from the existing SCSI bus.
2. Install any new SCSI devices.
3. Locate the new SCSI cable. Plug one end of the cable into the appropriate connector on the KZPEA adapter.
4. Attach one or more connectors on the cable to the SCSI device(s) or backplane connector.
5. Proceed to Section 2.3.2.

Replacing the Integrated SCSI Controller

If you are replacing the integrated SCSI controller with the KZPEA adapter, proceed as follows:

1. Unplug the original SCSI cable from the system board or original SCSI adapter.
2. Plug the SCSI cable into the proper KZPEA connector.
3. Depending on your server model, you may need to secure the cable by clipping it to another component in the server (refer to your server documentation for specific internal cabling instructions).
4. Proceed to Section 2.3.2.

2.3.2 Completing the Installation



WARNING: To reduce the risk of electrical shock or damage to the equipment, do not disable the power cord grounding plug. The grounding plug is an important safety feature. Plug the power cord into a grounded (earthed) electrical outlet that is easily accessible at all times. Disconnect power from your AlphaServer or workstation by unplugging the power cord from either the electrical outlet or the server.

After the cabling and connections are complete, reassemble your *AlphaServer* or workstation as follows:

1. Make certain all cables are routed properly and are not restricted or pinched by other components. Refer to your system documentation for proper routing of cables.
2. Reconnect any peripheral devices to your *AlphaServer* or workstation.
3. Plug the AC power cord into the server and then into a grounded AC outlet.
4. Turn on any peripheral devices attached to the *AlphaServer* or workstation.
5. Turn on the *AlphaServer* or workstation.
6. To verify your internal/external SCSI devices are available at the console, enter the **show config** command at the SRM console prompt.

Example 2-1 shows a typical **show configuration** command. See Chapter 4 for a description of the command output.

Example 2-1 Show Configuration Command

```
>>> show config
```

```
COMPAQ AlphaServer DS10 466 MHz
```

```
SRM Console: V5.7-7
```

```
PALcode: OpenVMS PALcode V1.79-66, Tru64 UNIX PALcode V1.72-59
```

Processors

```
CPU 0 Alpha 21264-4 466 MHz SROM Revision: V1.11.208  
Bcache size: 2 MB
```

Core Logic

```
Cchip DECchip 21272-CA Rev 2
```

```
Dchip DECchip 21272-DA Rev 2
```

```
Pchip 0 DECchip 21272-EA Rev 2
```

```
TIG Rev 2.1
```

```
Arbiter Rev 7.30 (0xfe)
```

MEMORY

Array #	Size	Base Addr
0	128 MB	000000000

```
Total Bad Pages = 0
```

```
Total Good Memory = 128 MBytes
```

PCI Hose 00

```
Bus 00 Slot 01: Acer Labs M1543C USB
```

```
Bus 00 Slot 07: Acer Labs M1543C
```

Bridge to Bus 1, ISA

```
Bus 00 Slot 09: DE500-BA Network Controller  
ewa0.0.0.9.0 08-00-2B-86-71-0E
```

```
Bus 00 Slot 11: DE500-BA Network Controller  
ewb0.0.0.11.0 08-00-2B-86-71-42
```

```
Bus 00 Slot 13: Acer Labs M1543C IDE  
dqa.0.0.13.0  
dqa0.0.0.13.0 COMPAQ CDR-8435
```

Example 2-1 Show Configuration Command (Continued)

```
Bus 00 Slot 14: ELSA GLoria Synergy
Bus 00 Slot 15: DECchip 21152-AA

Bridge to Bus 2, PCI
Bus 00 Slot 16/0: Adaptec AIC-7899
                  pkc0.7.0.16.0          SCSI Bus ID 7
                  dkc0.0.0.16.0
COMPAQ BB00921B91
Bus 00 Slot 16/1: Adaptec AIC-7899
                  pkd0.7.0.116.0         SCSI Bus ID 7
                  dkd300.3.0.116.0
COMPAQ BD01812579
Bus 02 Slot 00: NCR 53C875
                  pka0.7.0.2000.0        SCSI Bus ID 7
Bus 02 Slot 01: NCR 53C875
                  pkb0.7.0.2001.0        SCSI Bus ID 7
Bus 02 Slot 02: DE500-AA Network Controller
                  ewc0.0.0.2002.0        00-06-2B-00-58-C6
```

ISA Slot	Device	Name	Type	Enabled	BaseAddr
	IRQ	DMA			
0	0	MOUSE	Embedded	Yes	60 12
	1	KBD	Embedded	Yes	60 1
	2	COM1	Embedded	Yes	3f8 4
	3	COM2	Embedded	Yes	2f8 3
	4	LPT1	Embedded	Yes	3bc 7
	5	FLOPPY	Embedded	Yes	3f0 6 2

NOTE: *SRM console firmware will need to be installed if your system's version is earlier than V5.7. If so, you must upgrade to the latest version (see your system documentation). In addition, you may need to install software drivers to enable communication between the processor and the KZPEA adapter.*

Chapter 3

Using the SCSI Configuration Utility

Your KZPEA adapter has default settings that will allow the proper operation in your *AlphaServer* or workstation. However, under some conditions you may want to configure your KZPEA adapter using the on-board configuration utility. This chapter provides the procedures to guide you through the steps.

NOTE: *The KZPEA must be installed in PCI hose 0 in order to use the Configuration Utility. If your configuration requires having the KZPEA in another PCI hose, install and configure the adapter on hose 0 and then move it to the final PCI position. A video monitor is required to run the utility.*

3.1 SCSI Configuration Utility

Table 3-1 lists the available and default settings appropriate for most systems. Use the Configuration Utility if you need to view or change current settings or if you need to use the SCSI disk utilities.

Table 3-1 SCSI Options

SCSI Utility Options	Available Settings	Default Setting
SCSI Bus Interface Definitions:		
Host Adapter SCSI ID	0-15	7
SCSI Parity Checking	Enabled/Disabled	Enabled ¹
Host Adapter SCSI Termination: Ch.A	Automatic	Automatic ²
	Low On/High On Low Off/High Off Low Off/High On	
Ch.B	Automatic Enabled, Disabled	Automatic
Boot Device Options:		
Boot Channel [Auto-sync]	A First, B First	A First
Boot SCSI ID	0-15	0
Boot LUN Number ³	0-7	0
SCSI Device Configuration:		
Sync Transfer Rate (Mbytes/sec)	160, 80, 53.4, 40, 32, 26.8, 20, 16, 13.4, 10	160
Initiate Wide Negotiation	Yes, No	Yes (Enabled)
Enable Disconnection	Yes, No	Yes (Enabled)
Send Start Unit Command	Yes, No	Yes (Enabled)
Enable Write Back Cache ⁴	Yes, No, N/C (No Change)	N/C (No Change)
BIOS Multiple LUN Support ⁴	Yes, No	No (Disabled)
Include in BIOS Scan ⁴	Yes, No	Yes (Enabled)

¹ Do not change.

² No effect.

³ Setting is valid only if Multiple LUN Support is enabled.

⁴ Settings are valid only if host adapter BIOS is enabled.

Table 3-1 SCSI Options (Continued)

SCSI Utility Options	Available Settings	Default Setting
Advanced Configuration Options:		
Reset SCSI Bus at IC Initialization	Enabled, Disabled	Enabled
Display <Ctrl><A> Message during BIOS Initialization [Auto-sync]	Enabled, Disabled	Enabled
Extended BIOS Translation for DOS Drives > 1 Gbyte	Enabled, Disabled	Enabled
Verbose/Silent Mode [Auto-sync]	Verbose, Silent	Verbose
Host Adapter BIOS [Auto-sync] ⁴	Enabled Disabled: Scan Bus Disabled: Not Scan	Enabled
Domain Validation ⁴	Enabled, Disabled	Enabled
Support Removable Disks Under BIOS as Fixed Disks ⁴	Disabled Boot Only, All Disks	Disabled
BIOS Support for Bootable CD-ROM ⁴	Enabled, Disabled	Enabled
BIOS Support for Int 13 Extensions ⁴	Enabled, Disabled	Enabled ²
<F6>	Reset to Host Adapter Defaults.	

3.1.1 Starting Configuration Utility on BIOS Supported Systems

Example 3-1 Show BIOS and Run BIOS Commands

```
>>> show bios
Hose Bus Slot Function Type
  0   0  14     0      ELSA GLoria Synergy
  0   0  16     0      Adaptec AIC-7899
  0   0  16     1      Adaptec AIC-7899
  0   2   0     0      NCR 53C875
  0   2   1     0      NCR 53C875
```

Resetting I/O buses...

```
>>>run bios 00 00 16
```

Adaptec SCSI Card 39160 BIOS V2.55.0

Press <Ctrl><A>

```
Ch A, SCSI ID: 0      COMPAQ BB00921B91  3B05
Ch B, SCSI ID: 3      COMPAQ BD01812579  BCJC
```

Starting Configuration Utility on BIOS Supported Systems

When you have connected the internal and external devices and have configured the termination of the SCSI bus correctly, you are ready to reassemble the computer enclosure. After assembly, reconnect all peripherals that you disconnected, and turn on the power to all external enclosures and peripherals. Then turn on the computer. Depending on your system and firmware version, after the computer completes the Power On Self-Tests (POST) and you are at the SRM console prompt (>>>), you can invoke the SCSI Configuration Utility. Use the **show bios** command (see Example 3-1) to determine in which hose, bus, and slot your KZPEA is installed.

Hold the Ctrl key and press the letter A key to activate the built-in configuration utility. The Configuration Utility Main Menu appears. Follow the on-screen instructions. The descriptions for all entries to configure host adapters and connected devices are in the Description of SCSI Configuration Utility settings.

Exiting the Configuration Utility

When all required changes have been made, pressing the **Esc** key moves you back through the menus. Once you have exited from the menu, you may return to the SRM console by cycling the power on the system, if necessary for your system.

3.1.2 Starting Configuration Utility on Non-BIOS Supported Systems

Example 3-2 Invoking SCSCI Configuration Utility with AlphaBIOS

```
>>> alphabios
```

```
Adaptec SCSI Card 39160 BIOS V2.55.0  
Press <ctrl><A>
```

```
Ch A, SCSI ID: 0      COMPAQ BB00921B91  3B05  
Ch B, SCSI ID: 3      COMPAQ BD01812579  BCJC
```

Configuration Utility on Non-BIOS Supported Systems

For systems or firmware versions that do not support the **run bios** command, you will need to do the following to get into the utility:

Turn on the power to all external enclosures and peripherals. Turn on the computer. After the computer completes the Power On Self-Tests (POST) and you are at the SRM prompt (>>>), you may invoke the AlphaBIOS by entering the **ARC** command. If you are on an *Alpha* workstation, as opposed to an *AlphaServer*, this may not work and you must type:

```
>>> alphabios
```

You must then reboot to the AlphaBIOS console.

Hold the **Ctrl** key and press the letter **A** key to activate the built-in configuration utility. The Configuration Utility Main Menu appears. Follow the on-screen instructions. The descriptions for all entries to configure host adapters and connected devices are in the Description of SCSI Configuration Utility settings.

Exiting the Configuration Utility

When all required changes have been made, pressing the Esc key moves you back through the menus. Once you have exited from the menu, you may return to the SRM console by cycling the power on the system.

Chapter 4

Troubleshooting

This chapter provides some common solutions to problems that can occur when installing the KZPEA adapter. If you experience difficulty in installing or verifying the KZPEA, use the information in this chapter to isolate and diagnose the problem.

The troubleshooting techniques described in this chapter do not identify all possible problems with your KZPEA adapter, nor will the actions suggested remedy all problems. If you encounter a problem that is not described, or if the actions suggested do not solve the problem, call your authorized service representative. For problems that might be related to the host, refer to your host system documentation. Sections include:

- System Power-On Problems
- SCSI Device Problems
- Console Diagnostics

4.1 System Power-On Problems

When the host system is powered on, the processor performs a series of self-tests or enters console mode. Table 4-1 lists some problems that might occur when self-tests are running, gives the probable cause, and provides corrective action.

Table 4-1 Troubleshooting Power-On Problems

Symptom	Probable Cause	Corrective Action
Self-test halts with an error message or an error summary appears on the console terminal	An error was detected during self-test.	Check that the KZPEA and system boards are firmly seated in their respective connectors. Check all connections to external devices. Take actions listed in Section 4.3, Console Diagnostics. Record the error message and call your authorized service representative.
System fails to boot and returns to console.	The latest required driver has not been installed.	If the KZPEA adapter has been installed before, upgrade to the latest version of the operating system or driver for that version of the operating system. Power down the system. Boot the system and then install the latest operating system (OS) version or driver. If your OS requires it, install the driver before installing the adapter.

4.2 SCSI Device Problems

If a SCSI drive is not shown in the configuration, refer to Table 4-2 for possible causes and suggested corrective actions for each cause.

Table 4-2 Troubleshooting SCSI Devices

Symptom	Probable Cause	Corrective Action
A SCSI drive does not appear in the configuration display.	Duplicate SCSI IDs	Make sure each SCSI drive has a unique SCSI ID.
	Cable is not connected to SCSI drive.	Check cable connection.
	SCSI drive is not plugged in and turned on before system power-up.	Power up the devices first; then power up the system.
	SCSI bus is not properly terminated.	Make sure each end of the SCSI bus is terminated. Make sure drives in the middle of the SCSI bus are <i>not</i> terminated.
	Drive is defective.	Mid-bus configurations not allowed. Note that the 50-pin CD/Tape connector is Channel 1/A. Replace the drive.

4.3 Console Diagnostics

The **show configuration** console command is useful to obtain information about the system configuration, in case you need to replace a module. The **show device** command displays device information for any disk/tape adapter or group of adapters.

Example 4-1 Show Configuration Command

```
>>> show config
                                COMPAQ AlphaServer DS10 466 MHz

SRM Console: V5.7-7
PALcode:      OpenVMS PALcode V1.79-66, Tru64 UNIX PALcode V1.72-59

Processors
CPU 0         Alpha 21264-4 466 MHz   SROM Revision: V1.11.208
              Bcache size: 2 MB

Core Logic
Cchip        DECchip 21272-CA Rev 2
Dchip        DECchip 21272-DA Rev 2
Pchip 0      DECchip 21272-EA Rev 2
TIG          Rev 2.1
Arbiter      Rev 7.30 (0xfe)

MEMORY
Array #      Size      Base Addr
-----
0            128 MB    000000000

Total Bad Pages = 0
Total Good Memory = 128 Mbytes
```

❶

❷

❸

❹

Continued

The SRM console command **show config** displays system configuration information detailing the I/O adapter connected to your system and its status.

- ❶ Version numbers of the SRM console and PALcode
- ❷ **Processors.** Processors present, processor version and clock speed, and amount of backup cache
- ❸ **Core Logic.** Version numbers of the chips that form the interconnect on the system board
- ❹ **MEMORY.** Memory arrays and memory size

Example 4-1 Show Configuration Command (Continued)

```

PCI Hose 00
Bus 00 Slot 01: Acer Labs M1543C USB
Bus 00 Slot 07: Acer Labs M1543C Bridge to Bus 1, ISA
Bus 00 Slot 09: DE500-BA Network Controller
                  ewa0.0.0.9.0 08-00-2B-86-71-0E
Bus 00 Slot 11: DE500-BA Network Controller
                  ewb0.0.0.11.0 08-00-2B-86-71-42
Bus 00 Slot 13: Acer Labs M1543C IDE
                  dqa.0.0.13.0
                  dqa0.0.0.13.0 COMPAQ CDR-8435
Bus 00 Slot 14: ELSA GLoria Synergy
Bus 00 Slot 15: DECchip 21152-AA
                  Bridge to Bus 2, PCI

Bus 00 Slot 16/0: Adaptec AIC-7899
                  pkc0.7.0.16.0 SCSI Bus ID 7
                  dkc0.0.0.16.0 COMPAQ BB00921B91
Bus 00 Slot 16/1: Adaptec AIC-7899
                  pkd0.7.0.116.0 SCSI Bus ID 7
                  dkd300.3.0.116.0 COMPAQ BD01812579
Bus 02 Slot 00: NCR 53C875
                  pka0.7.0.2000.0 SCSI Bus ID 7
Bus 02 Slot 01: NCR 53C875
                  pkb0.7.0.2001.0 SCSI Bus ID 7
Bus 02 Slot 02: DE500-AA Network Controller
                  ewc0.0.0.2002.0 00-06-2B-00-58-C6

```

```

ISA
Slot Device Name Type Enabled BaseAddr IRQ DMA
0
0 MOUSE Embedded Yes 60 12
1 KBD Embedded Yes 60 1
2 COM1 Embedded Yes 3f8 4
3 COM2 Embedded Yes 2f8 3
4 LPT1 Embedded Yes 3bc 7
5 FLOPPY Embedded Yes 3f0 6 2

```

- ⑤ **PCI Hose.** The following information is provided: PCI Hose, Bus, Slot, and device information.

The "Slot" column lists the logical slots seen by the system. These are not necessarily the physical slots into which devices are installed.

The Adaptec AIC-7899 is the device used on the KZPEA.

Refer to your system documentation for device specifics.

Depending on the host system type and configuration, the SCSI ports are given different designations. The designations are in the following format:

SCSI ports - *pk**n*0, where *pk* is the type of storage port and *n* is the controller letter, starting at *a* (usually the onboard device).

Disk drives - *dk**n*0, where *dk* is the type of disk device and *n* is the controller letter, starting at *a*.

Example 4-2 Show Device Command

```
>>> show dev
dkc0.0.0.16.0          DKC0          COMPAQ BB00921B91    3B05
dkd300.3.0.116.0      DKD300       COMPAQ BD01812579    BCJC
dqa0.0.0.13.0         DQA0         COMPAQ CDR-8435      0013

dva0.0.0.0.0          DVA0
ewa0.0.0.9.0          EWA0          08-00-2B-86-71-0E
ewb0.0.0.11.0         EWB0          08-00-2B-86-71-42
ewc0.0.0.2002.0       EWC0          00-06-2B-00-58-C6
pka0.7.0.2000.0       PKA0          SCSI Bus ID 7
pkb0.7.0.2001.0       PKB0          SCSI Bus ID 7
pkc0.7.0.16.0         PKC0          SCSI Bus ID 7
pkd0.7.0.116.0        PKD0          SCSI Bus ID 7
```

Note that one of the entries, Hose 0, Bus 0, slot 16, consists of two AIC-7899 devices. This entry is the KZPEA host adapter in this system. For later identification of the module, write down the SCSI port names (in this example pkc0 and pkd0). After you have identified the SCSI ports, you can test them, as described in the following sections.

Determining the KZPEA Host SCSI ID

Use the **show device** console command to list all of the devices in the system and identify the related port entries (in this example pkc0 and pkd0). The **show device** command will list all devices in the system. In the following examples only the relevant devices are shown.

```
>>> show dev pk
pka0.7.0.2000.0       PKA0          SCSI Bus ID 7
pkb0.7.0.2001.0       PKB0          SCSI Bus ID 7
pkc0.7.0.16.0         PKC0          SCSI Bus ID 7
pkd0.7.0.116.0        PKD0          SCSI Bus ID 7
```

Note that in this example both ports are set to SCSI ID 7.

Determining Which Drives are Connected to the KZPEA Host Adapter

Issue the **show device dk** command and identify all devices on the KZPEA controller. The format for disks is `dkcn`, where `c` = controller letter matching `pkc0` port, and `n` = the SCSI ID times 100. For example: `DKC0`, SCSI DISK on controller port C at SCSI ID 0 and `DKD300`, SCSI DISK on controller port D.

```
>>> show dev dk
dkc0.0.0.16.0          DKC0          COMPAQ BB00921B91    3B05
dkd300.3.0.116.0      DKD300       COMPAQ BD01812579    BCJC
```

Locating SCSI Device ID Conflicts

The most common SCSI configuration problem is an ID conflict. Each SCSI device on a port must have a unique ID from 0 – 15, which cannot be the same as the host ID or that of any other drive.

NOTE: *By default and convention the host is always at ID 7 and disks start at ID 0. Some versions of your operating system may not support drives with IDs from 8 – 15.*

Two Disk Drives with the Same ID

The most common result of having two disk drives with the same ID is that **neither** of them shows up at the **show dev** command.

Disk Drives with the Same ID as the Host

The most common result of having disk drives with the same ID as the host is that **none** of the disk drives shows up at the **show dev** command.

```
>>> show dev
dkb0.0.0.16.0      DKB0          RZ1CB-CS 0656
dkb100.1.0.16.0   DKB100       RZ1CB-CS 0656
dkb200.2.0.16.0   DKB200       RZ1CB-CS 0656
dkb300.3.0.16.0   DKB300       RZ1CB-CS 0656
dkb400.4.0.16.0   DKB400       RZ1CB-CS 0656
dkb500.5.0.16.0   DKB500       RZ1CB-CS 0656
dkb600.6.0.16.0   DKB600       RZ1CB-CS 0656
```

In this example, a disk drive was set to the host ID of 7. There is actually only one disk drive on the bus, but it responds at each ID.

Testing the SCSI Ports

Exer, a built-in test at the SRM console of most systems, can be used to determine if the SCSI ports and disks are functioning correctly.

```
>>> exer dkb*&
```

This command instructs **exer** to test all disks (**dk**) on the **b** channel (**dkb***). The **&** instructs the console to run the command as a background process. Issue the **show_status** command to diagnose the port:

```
>>> show_status
```

ID	Program	Device	Pass	Hard/Soft	Bytes Written	Bytes Read
00000001	idle	system	0	0 0	0	0
000001b9	exer_kid	dkb0.0.0.300	0	0 0	0	502272

Exer will run until it is interrupted with the **kill_diag** command.

```
>>> kill_diag
```

```
>>> show_status
```

ID	Program	Device	Pass	Hard/Soft	Bytes Written	Bytes Read
00000001	idle	system	0	0 0	0	0

Observe the Hard/Soft error counts from the tests. Hard errors should always be 0. Soft errors are usually 0, and if non-zero, usually indicate a bus that is incorrectly terminated.

If the **exer** command does not exist, then start:

```
>>> test
```

This command will test all devices in the configuration.

Ctrl/C will end testing.

Appendix A

Electrostatic Discharge

To prevent damaging the system, be aware of the precautions you need to follow when setting up the system or handling parts. A discharge of static electricity from a finger or other conductor may damage system boards or other static-sensitive devices. This type of damage may reduce the life expectancy of the device.

To prevent electrostatic damage, observe the following precautions:

- Avoid hand contact by transporting and storing products in static-safe containers.
- Keep electrostatic-sensitive parts in their containers until they arrive at static-free workstations.
- Place parts on a grounded surface before removing them from their containers.
- Avoid touching pins, leads, or circuitry.
- Always be properly grounded when touching a static-sensitive component or assembly.

Grounding Methods

Use one or more of the following grounding methods when handling or installing electrostatic-sensitive parts:

- Use a wrist strap connected by a ground cord to a grounded workstation or computer chassis. Wrist straps are flexible straps with a minimum of 1 megaohm \pm 10 percent resistance in the ground cords. To provide proper ground, wear the strap snug against the skin.
- Use heel straps, toe straps, or boot straps at standing workstations. Wear the straps on both feet when standing on conductive floors or dissipating floor mats.
- Use conductive field service tools.
- Use a portable field service kit with a folding static-dissipating work mat.

If you do not have any of the suggested equipment for proper grounding, have an Authorized Compaq Reseller install the part.

NOTE: *For more information on static electricity, or assistance with product installation, contact your Authorized Compaq Reseller.*

Index

A

AlphaBIOS, 2-3
alphabios command, 3-5
Altitude, 1-4
ARC command, 3-5

B

BIOS commands, 3-4
Boot device SCSI ID, 3-2
Boot device settings, 3-2
Boot or toe straps, using, A-2
Bootable CD-ROM, 3-3

C

Cable
 connectors, 1-9
 ordering, 1-8
 part numbers, 1-8
 requirements, 1-8
CD-ROM connector, 1-2
Characteristics,
 SCSI cable, 1-9
Completing the installation, 2-10
Configuration utility,
 SCSI, 3-2
Conventions, document, viii

D

Determining drives connected to the
 KZPEA, 4-7
Determining the KZPEA host SCSI ID,
 4-7
Disconnect/Reconnect, 1-1
Disconnect enable, 3-2
Disk activity LED, 2-6

Disk drive designations, 4-7
Document conventions, viii
Domain validation, 3-3
Double transition (DT) clocking, 1-3

E

Electrical shock, 2-10
Electrical specifications, 1-4
Electrostatic discharge, A-1
 precautions, A-1
 preventing, A-1
 storing products, A-1
 transporting products, A-1
 types of damage from, A-1
Enable disconnection, 3-2
Environmental specifications, 1-4
Escape (**Esc**) key, 3-4
ESD, 2-5, A-1
exer command, 4-11
Extended BIOS translation, 3-3

F

Fast-Wide SCSI, 1-7, 1-9
Firmware requirements, 2-2, 2-12

G

Grounding methods, A-2
Grounding strap
 specifications, A-2
 wearing, 2-5, A-2
Grounding,
 suggested equipment for, A-2

H

Hard errors, 4-11
Hardware requirements, 2-2, 3-1

Heel straps, using, A-2
Hose,
 PCI, 4-7
Host adapter SCSI ID, 3-2

I

IDs
 SCSI, 1-6, 3-2
Installation,
 multiple adapter, 1-7
Installation preparation, 2-2
Installing the KZPEA, 2-5
Internal SCSI connections, 2-9
Internet, information on, viii

J

J3 & J5 jumpers, 1-2, 2-3, 2-7

K

kill_diag command, 4-11
KZPEA adapter kit contents, 2-3

L

LED connector, 2-6
Locating SCSI device ID conflicts, 4-3
Logical unit numbers (LUNs), 1-1,
 1-3, 3-2
LVD devices, 1-3, 1-7, 2-9

M

Maximum data transfer rate, 1-5
Mid-bus configurations, 1-7, 4-3
Multiple adapter installation, 1-7
Multiple LUN support, 3-2

N

NVRAM, 1-3

O

Operating system requirements, 2-2
Operating temperature, 1-4
Ordering cables, 1-8

P

Parity checking, 3-2
Part numbers
 cable, 1-8
Parts
 proper handling, A-1
 storing, A-1
 transporting, A-1
PCI bus, 1-5
PCI bus master, 1-5
PCI local bus, 1-5
Physical description, 1-2
Power consumption, 1-4
Power On Self-Tests
 (POST), 3-4, 3-5
Precautions, 2-1, 2-4, 2-10
Preparing system for adapter
 installation, 2-4
Priority, SCSI ID, 1-6

R

Rackmounted systems, 2-4
Relative humidity, 1-4
run bios command, 3-4

S

SCSI
 cable characteristics, 1-9
 cable connectors, 1-9
 cabling, 2-8
 channel assignments, 1-6
 configuration utility, 2-3, 3-2
 controller, 1-7
 device problems, 4-3
 IDs, 1-6, 2-3
 options, 3-2
 port designation, 4-7
 termination, 1-7, 2-3
Self-test, 4-2
Send Start Unit command, 3-2
show bios command, 3-4
show configuration command,
 2-11, 4-4
show device command, 4-8, 4-10
show_status command, 4-11

- Slot numbering, 4-7
- Soft errors, 4-11
- Specifications, KZPEA, 1-4
- SRM console, 2-3
- SRM console prompt, 2-10, 3-4
- Static-safe containers
 - storing products in, A-1
 - transporting products in, A-1
- Synchronous data transfer, 3-2
- System power-on problems, 4-2
- System requirements, 2-2
- System, preventing electrostatic damage to, A-1

T

- Tagged command queuing, 1-5
- Temperature, operating, 1-4
- Terminating jumpers, 2-7
- Termination, SCSI, 1-7, 2-3
- Termination jumpers, 2-3
- Testing the SCSI ports, 4-11
- Tools, conductive field service type, A-2
- Troubleshooting, 4-1
 - power-on problems, 4-2
 - SCSI devices, 4-3

U

- Ultra2, 1-3
- Ultra3, 1-1, 1-3, 2-8

V

- Very High Density Cable Interconnect (VHDCI), 1-3, 1-8, 2-8
- Voltage specifications, 1-4

W

- Warnings
 - installation instruction, 2-1, 2-4
- Wrist strap use and specifications, A-2
- Write back cache, 3-2

