



Intel® Storage System SSR212PP-Series

Based on EMC AX150® Technology

Tested Hardware and Operating System List (THOL)

Revision 1.1

November, 2006

Storage Group Technical Marketing

Revision History

Date	Revision Number	Modifications
May, 2006	1.0	Release copy.
November, 2006	1.1	Q4 updates

Disclaimers

Information in this document is provided in connection with Intel® products. No license, express or implied, by estoppel or otherwise, to any intellectual property rights is granted by this document. Except as provided in Intel's Terms and Conditions of Sale for such products, Intel assumes no liability whatsoever, and Intel disclaims any express or implied warranty, relating to sale and/or use of Intel® products including liability or warranties relating to fitness for a particular purpose, merchantability, or infringement of any patent, copyright or other intellectual property right. Intel products are not designed, intended or authorized for use in any medical, life saving, or life sustaining applications or for any other application in which the failure of the Intel product could create a situation where personal injury or death may occur. Intel may make changes to specifications and product descriptions at any time, without notice.

Intel® server boards contain a number of high-density VLSI and power delivery components that need adequate airflow for cooling. Intel's own chassis are designed and tested to meet the intended thermal requirements of these components when the fully integrated system is used together. It is the responsibility of the system integrator that chooses not to use Intel developed server building blocks to consult vendor datasheets and operating parameters to determine the amount of airflow required for their specific application and environmental conditions. Intel Corporation can not be held responsible if components fail or the server board does not operate correctly when used outside any of their published operating or non-operating limits.

Copyright © 2006, Intel Corporation. All Rights Reserved

Copyright© 2005-6 EMC Corporation. All Rights Reserved.

Trademark Information

Intel, Intel Pentium, and Intel Xeon are trademarks or registered trademarks of Intel Corporation or its subsidiaries in the United States and other countries.

EMC2, EMC, CLARiiON, Navisphere, and PowerPath are registered trademarks and Access Logix,

FLARE, MirrorView, SAN Copy, and SnapView are trademarks of EMC Corporation.

*All other trademarks mentioned herein are the property of their respective owners.

Table of Contents

Introduction	7
Test Overview	7
Intel Adapter / Peripheral Compatibility and Stress Testing	7
SSR212PPf / SSR212PP2f Configuration Rules	8
Supported Client Operating Systems	10
Fibre Channel Base Connectivity	11
Microsoft Windows 2003 [x64]	11
Microsoft Windows 2003 [x86]	27
Microsoft Windows 2000*	59
Red Hat* Linux (EM64T)	76
Red Hat* Linux (32-Bit)	99
SuSE* Linux (32-Bit)	130
SuSE* Linux (EM64T)	137
VMware ESX Server	143
Microsoft Windows* Cluster Software	154
Windows 2000	154
Windows 2003 (X64)	155
Windows 2003 (X86)	155
Red Hat* Linux Cluster Software	155
Red Hat RHEL (32-Bit)	155
Red Hat RHEL (EM64T)	155
Red Hat RHEL [IA64]	156
Fibre Channel Switch Connectivity	157
Fibre Switches: Windows 2000	157
Fibre Switches: Windows 2003 (X64)	158
Fibre Switches: Windows 2003 (X86)	160
Fibre Switches: Red Hat Linux RHEL* (32-Bit)	163
Fibre Switches: Red Hat Linux RHEL (EM64T)	165
Fibre Switches: SuSE Linux SLES* (32-Bit)	167
Fibre Switches: SuSE Linux SLES* (EM64T)	169
Fibre Switches: VMware ESX* Server	170
Switched Fabric Topology Parameters	172
iSCSI Support Matrix	177

SSR212PPi / SSR212PP2i Configuration Rules 177

Native iSCSI 178

 Microsoft Windows 2000 178

 Microsoft Windows 2003 [x64] 179

iSCSI Clusters 186

Installation Diagrams..... 188

 Fibre Channel User Installation Diagrams 188

 Recommended Professional FC Installation Diagrams 194

 iSCSI Configuration Diagrams 196

Introduction

This document is intended to provide users of the Intel® Storage System SSR212PP with a guide to the different client operating systems, adapter cards, and peripherals tested by Intel® and / or EMC* on this platform.

This document will continue to be updated as new adapters, peripherals, and client operating systems are tested or until the Intel® Storage System SSR212PP is no longer in production. Each new release of the document will present updated information as well as continue to provide the information from previous releases.

Intel will only provide support for those adapters and peripherals under the specified system configuration (System BIOS and Firmware revisions) and client operating systems versions with which they were tested.

Test Overview

Testing performed on the Intel® Storage System SSR212PP is classified as Adapter / Peripheral Compatibility and Stress Testing.



The latest version of the embedded operating system signifies the latest supported version at the time of the actual test run. Each new release of this document may have a newly supported release of a given operating system. Previous releases of a supported operating system may not be tested beyond the basic installation test process.

Intel Adapter / Peripheral Compatibility and Stress Testing

Adapter / Peripheral Compatibility and Stress testing is performed only on the most current release of the supported embedded operating system at the time of a given validation run. The Adapter / Peripheral Compatibility and Stress testing process consists of three areas: Platform, Adapter Compatibility, and Stress.

Platform: Each platform will successfully install the embedded operating system, successfully run a disk stress test, and successfully run a network stress test.

Adapter Compatibility: Adapter compatibility validation (CV) testing uses test suites to gain an accurate view of how the platform performs with adapters under the embedded operating system. These tests are designed to show hardware compatibility between the cards and the server platform and include functional testing only. No heavy stressing of the systems or the cards is performed for CV testing.

Stress Testing: This test sequence uses configurations that include Ethernet add-in adapters in the one available slot, or a minimum 24-hour test run without injecting errors. Each configuration passes an installation test, a Network/Disk Stress test. Any fatal errors that occur will require a complete test restart.

Intel's Support Commitment for Adapter / Peripheral Compatibility and Stress Testing

Intel commits to provide the following level of customer support for client operating systems that receive Adapter / Peripheral Compatibility and Stress testing:

- Intel will provide support for customer issues with the embedded operating system involving installation and/or functionality of the server board with or without the

adapters and peripherals listed in this document as having been tested under the particular embedded operating system.

- Support is defined as assistance in root causing issues, and determining a customer acceptable resolution to the issue associated with the client operating system. The resolution may include, but is not limited to, on-board controller driver changes, engaging the vendor for resolution, BIOS changes, firmware changes, or determining a customer acceptable workaround for the issue.
- Intel will go through some of the steps to achieve certification to ensure its customers do not run across any problems, but the actual certification is the responsibility of the individual customer.



For embedded operating systems, client operating systems, adapter cards, and peripherals not listed in this document, there is no support commitment. Intel will consider support requests on a case-by-case basis.

SSR212PPf / SSR212PP2f Configuration Rules

Note: In this document, array means storage system; SP means Storage Processor.

- A total of 10 servers are supported per storage system.
- A total of 10 Host Bus Adapters (HBAs) are supported on single-SP storage systems.
- A total of 20 HBAs are supported on dual-SP storage systems.
- A total of 4 storage systems per server are supported.
- A total of 256 virtual disks per storage system are supported.
- User installable HBAs are limited to the Emulex* and the QLogic* E models.
- HBAs from different manufacturers cannot be mixed in the same server.
- User installable switches are limited to the Qlogic SB3050-08A-E and the Brocade* DS-220B-FF-D. Pre-configured zoning or the Zoning Wizard must be used with these switches to be user installable. All other supported switches are not user installable and require professional installation.
- Switches from different manufacturers cannot be mixed in the same SAN.
- If an SSR212PP series system is connected to a server, no other type of storage system can be connected to that server. A server must be connected to a storage system either directly or through a switch. A server CANNOT be connected to the SAME storage system both directly and through a switch.
- All direct connect configurations are user installable. For example, figures 1 and 2.
- Any switch configuration utilizing an Inter Switch Link (ISL) is not user installable. No more than 2 switches can be connected with an ISL. For example, figures 14 and 15.
- In any supported multiple-server configuration, the servers can run the same operating system or any combination of supported operating systems. The snapshot feature requires that the source and secondary servers are connected to the same SP. As a result, the snapshot feature is not supported for figures 4 and 5.
- PowerPath* must be installed on all attached servers for all configurations.
- A clustered configuration requires one or more HBAs per server and a single-SP or dual-SP storage system.
- 2 to 8 nodes are supported in a clustered configuration. All nodes in a cluster configuration must run the same operating system. Diagrams may show other operating systems, but dissimilar operating systems cannot be clustered.
- All nodes in a cluster configuration must be connected to the same SPs. For example, figures 2, 7 and 8.
- The installation of an operating system on a storage system for the purpose of booting the server from the storage system is not considered a user installable option.

- Boot from a storage system on clustered servers running Windows 2000 require a dedicated boot HBA.
- Boot from a storage system on clustered servers running Windows 2003 DO NOT require a dedicated boot HBA.

Backup Device Support

EMC's testing and qualification responsibilities only apply to SAN (switch) attached backup devices. SAN attached backup configurations include a backup device connected to a port on the switch. These configurations are not currently user installable. Please refer to the EMC ESM for SAN attached backup supported configurations.

For tape devices connected directly to a backup host, It is strongly recommends that the component vendors' supported configuration matrices are reviewed (host configuration matrix for compatibility with SCSI or Fibre Channel interface used to connect to tape device, tape device vendor for compatibility with selected SCSI or Fibre Channel interface and backup software vendor for compatibility with the tape device).

Path Definition

A path is a connection between an HBA port and a target an SP port in a storage system. Each HBA that is directly connect to, or zoned through, a switch to an SP port is considered an initiator of that SP port. An HBA port can be zoned through different switch ports to the same SP port or to different SP ports, resulting in multiple paths between the HBA port and an SP.

Supported Client Operating Systems

The following table provides a list of Intel supported client operating systems compatible with the Intel® Storage System SSR212PP. Each of the listed client operating systems was tested for compatibility with Intel® Storage System SSR212PP system configuration listed in Section 2 of this document. Client operating systems are supported only with the specified client system with which they were tested. Refer to the tables under specific operating systems for more details including service packs and updates supported.

Operating Systems
Microsoft* Windows* Server 2003 Enterprise Edition
Microsoft Windows 2000 Server
Red Hat* Enterprise Linux* AS 3.0
Red Hat* Enterprise Linux* AS 4.0
SuSe* Enterprise Server 9.0.

Fibre Channel Base Connectivity

Microsoft Windows 2003 [x64]

Microsoft Windows 2003 [x64]								
No.	Host System	Operating System	Host Bus	Host Bus Adapter	Topology	Storage Array	External Boot	Comments
1	HPQ Proliant: BL460c (404664-B21), BL465c (403433-B21), BL465c (403434-B21), BL465c (407234-B21), BL465c (407235-B21), BL480c (404704-B21)	Microsoft Windows 2003 [x64] Enterprise: Edition, Edition R211	PCI Express	HPQ Emulex LPe1105-HP 4Gb FC HBA for HP c-Class Bladesystem (403621-B21)4, 29, 32	FC-AL, FC-SW	Intel SSR212PPf	Y1	
2	HPQ Proliant: BL460c (404664-B21), BL465c (403433-B21), BL465c (403434-B21), BL465c (407234-B21), BL465c (407235-B21), BL480c (404704-B21)	Microsoft Windows 2003 [x64] Enterprise: Edition, Edition R211	PCI Express	HPQ QLogic QMH2462 4Gb FC HBA for HP c-Class Bladesystem (403619-B21)28, 52	FC-AL, FC-SW	Intel SSR212PPf	Y	
3	Fujitsu Siemens Primergy BX620: S2F57, S257, S3; Fujitsu Siemens Primergy BX630: (2-way), (4-way)	Microsoft Windows 2003 [x64] Enterprise: Edition, Edition R211; Microsoft Windows 2003 [x64] Standard: Edition, Edition R211	PCI	Emulex LP1050-E4, 8, 9, 33	FC-AL, FC-SW	Intel SSR212PPf	Y1, 15	See14
4	Fujitsu Siemens Primergy BX620: S2F57, S257, S3; Fujitsu Siemens Primergy BX630: (2-way), (4-way), (8-way)	Microsoft Windows 2003 [x64] Enterprise: Edition, Edition R211; Microsoft Windows 2003 [x64] Standard: Edition, Edition R211	PCI	Fujitsu Siemens BX600-FC22Q6, 19, 56, 58	FC-AL, FC-SW	Intel SSR212PPf	Y1	
5	Fujitsu Siemens Primergy: RX200 S2, RX600 S2, TX600 S2	Microsoft Windows 2003 [x64] Enterprise: Edition, Edition R211; Microsoft Windows 2003 [x64] Standard: Edition, Edition R211	PCI Express	Emulex LP1050Ex-E4, 6, 8, 9, 33	FC-AL, FC-SW	Intel SSR212PPf	Y1, 2, 15, Y1, 15	See14
6	Samsung: ZSS230, ZSS230D	Microsoft Windows 2003 [x64] Enterprise: Edition, Edition R211; Microsoft Windows 2003 [x64] Standard: Edition, Edition R211	PCI Express	Emulex LP1150-E4, 6, 7, 8, 9, 16	FC-AL, FC-SW	Intel SSR212PPf	Y1, 15	See14
7	Dell PowerEdge: 1800, 1950, 2850, 6800, 6850; Digital Henge INNO: HR-4850, HR-6850; Fujitsu Siemens Primergy RX300 S3; HPQ Proliant: DL360(G4)3, DL380(G4)3, DL580(G3)3; IBM xSeries x3455 (7984); LangChao: NC3000, NC3500, NF500, NF520; Samsung: ZSS230, ZSS230D	Microsoft Windows 2003 [x64] Enterprise: Edition, Edition R211; Microsoft Windows 2003 [x64] Standard: Edition, Edition R211	PCI Express	Emulex LPe111-E4, 6, 7, 9, 29	FC-AL, FC-SW	Intel SSR212PPf	Y1, 2, 15	See14
8	Dell PowerEdge: 1850, 1950, 2800; Digital Henge INNO: HR-4850, HR-6850; Digital Henge Revo: JS1400, JS2400; Fujitsu Siemens Primergy RX300 S3; HPQ Proliant: DL360(G4)3, DL380(G4)3, DL580(G3)3; IBM xSeries x3455 (7984); LangChao: NC3000, NC3500, NF500, NF520; Samsung: ZSS150, ZSS230, ZSS230D	Microsoft Windows 2003 [x64] Enterprise: Edition, Edition R211; Microsoft Windows 2003 [x64] Standard: Edition, Edition R211	PCI Express	Emulex LPe111-E4, 6, 7, 9, 29	FC-AL, FC-SW	Intel SSR212PPf	Y1, 15	See14
9	Fujitsu Siemens Primergy RX300 S3	Microsoft Windows 2003 [x64] Enterprise: Edition, Edition R211; Microsoft Windows 2003 [x64] Standard: Edition, Edition R211	PCI Express	Emulex LPe1150-E4, 6, 8, 9, 59	FC-AL, FC-SW	Intel SSR212PPf	Y1, 2, 15, Y1, 15	See14
10	Samsung: ZSS230, ZSS230D	Microsoft Windows 2003 [x64] Enterprise: Edition, Edition R211;	PCI Express	Emulex: LP1050-E4, 7, 8, 9, 34, LP1150-E4, 6, 7, 8, 9, 16, LP982-E4, 7, 8, 9, 34	FC-AL, FC-SW	Intel SSR212PPf	Y1, 15, 20	See14

		Microsoft Windows 2003 [x64] Standard: Edition, Edition R211						
11	Dell PowerEdge 1950; Samsung: ZSS230, ZSS230D	Microsoft Windows 2003 [x64] Enterprise: Edition, Edition R211; Microsoft Windows 2003 [x64] Standard: Edition, Edition R211	PCI Express	Emulex: LP1050-E4, 7, 8, 9, 34, LP982-E4, 7, 8, 9, 34	FC-AL, FC-SW	Intel SSR212PPf	Y1, 15	See14
12	Digital Henge INNO: HR-4850, HR-6850; Digital Henge Revo: JS1400, JS2400; HPQ Proliant: DL360(G4)3, DL380(G4)3, DL580(G3)3; IBM xSeries x3455 (7984); LangChao: NC3000, NC3500, NF500, NF520; Samsung: ZSS150, ZSS230, ZSS230D	Microsoft Windows 2003 [x64] Enterprise: Edition, Edition R211; Microsoft Windows 2003 [x64] Standard: Edition, Edition R211	PCI Express	Emulex: LP1050Ex-E4, 6, 7, 8, 9, 34, LPe1150-E4, 5, 6, 7, 8, 9	FC-AL, FC-SW	Intel SSR212PPf	Y1, 15	See14
Microsoft Windows 2003 [x64]								
No.	Host System	Operating System	Host Bus	Host Bus Adapter	Topology	Storage Array	External Boot	Comments
13	Digital Henge INNO: HR-4850, HR-6850; HPQ Proliant: DL360(G4)3, DL380(G4)3, DL580(G3)3; IBM xSeries x3455 (7984); LangChao: NC3000, NC3500, NF500, NF520; Samsung: ZSS230, ZSS230D	Microsoft Windows 2003 [x64] Enterprise: Edition, Edition R211; Microsoft Windows 2003 [x64] Standard: Edition, Edition R211	PCI Express	Emulex: LP1050Ex-E4, 6, 7, 8, 9, 34, LPe1150-E4, 5, 6, 7, 8, 9	FC-AL, FC-SW	Intel SSR212PPf	Y1, 2, 15	See14
14	Dell PowerEdge: 1800, 1950, 2850, 6800, 6850	Microsoft Windows 2003 [x64] Enterprise: Edition, Edition R211; Microsoft Windows 2003 [x64] Standard: Edition, Edition R211	PCI Express	Emulex: LP1050Ex-E4, 6, 7, 9, 34, LPe1150-E4, 5, 6, 7, 9	FC-AL, FC-SW	Intel SSR212PPf	Y1, 2, 15	See14
15	Dell PowerEdge: 1850, 1950, 2800	Microsoft Windows 2003 [x64] Enterprise: Edition, Edition R211; Microsoft Windows 2003 [x64] Standard: Edition, Edition R211	PCI Express	Emulex: LP1050Ex-E4, 6, 7, 9, 34, LPe1150-E4, 5, 6, 7, 9	FC-AL, FC-SW	Intel SSR212PPf	Y1, 15	See14
16	HPQ Proliant DL360(G4)3	Microsoft Windows 2003 [x64] Enterprise: Edition, Edition R211; Microsoft Windows 2003 [x64] Standard: Edition, Edition R211	PCI Express	HPQ A7560A (LP1050Ex)4, 6, 7, 8, 9	FC-AL, FC-SW	Intel SSR212PPf	Y1, Y1, 2	
17	HPQ Proliant: DL360(G4)3, DL380(G4)3, DL580(G3)3	Microsoft Windows 2003 [x64] Enterprise: Edition, Edition R211; Microsoft Windows 2003 [x64] Standard: Edition, Edition R211	PCI Express	HPQ A8002A/FC2142SR (LPe1150)4, 5, 6, 7, 8	FC-AL, FC-SW	Intel SSR212PPf	Y1, Y1, 2	
18	HPQ Proliant: DL360(G4)3, DL380(G4)3	Microsoft Windows 2003 [x64] Enterprise: Edition, Edition R211; Microsoft Windows 2003 [x64] Standard: Edition, Edition R211	PCI Express	HPQ AE311A/FC1142SR (QLE2460)6, 9, 12, 18, 36	FC-AL, FC-SW	Intel SSR212PPf	Y1, Y1, 2	
19	NEC Express 5800: 120Li, 120Rg-1, 120Ri-2	Microsoft Windows 2003 [x64] Enterprise: Edition, Edition R211; Microsoft Windows 2003 [x64] Standard: Edition, Edition R211	PCI Express	NEC N8190-127 (LPe1150)4, 5, 32, 53, 54	FC-AL, FC-SW	Intel SSR212PPf	Y1, 15	See14
20	NEC Express 5800: 140He, 140Rd-4	Microsoft Windows 2003 [x64] Enterprise: Edition, Edition R211; Microsoft Windows 2003 [x64] Standard: Edition, Edition R211	PCI Express	NEC N8190-127 (LPe1150)4, 5, 32, 53, 54	FC-AL, FC-SW	Intel SSR212PPf	Y1, 15, 55	See14, 26
21	Dell PowerEdge 1950	Microsoft Windows 2003 [x64] Enterprise: Edition, Edition R211;	PCI Express	QLogic QLA2340-E-SP9, 12, 19	FC-AL, FC-SW	Intel SSR212PPf	Y1, 15	See26

		Microsoft Windows 2003 [x64] Standard: Edition, Edition R211							
22	Dell PowerEdge: 1800, 1950, 2850, 6800, 6850; Digital Henge INNO: HR-4850, HR-6850; IBM xSeries x3455 (7984); LangChao: NC3000, NC3500, NF500, NF520; Samsung: ZSS230, ZSS230D	Microsoft Windows 2003 [x64] Enterprise: Edition, Edition R211; Microsoft Windows 2003 [x64] Standard: Edition, Edition R211	PCI Express	QLogic QLE220-E-SP6, 9, 27, 28	FC-AL, FC-SW	Intel SSR212PPf	Y1, 2, 15	See26	
23	Dell PowerEdge: 1850, 1950, 2800; Digital Henge INNO: HR-4850, HR-6850; Digital Henge Revo: JS1400, JS2400; IBM xSeries x3455 (7984); LangChao: NC3000, NC3500, NF500, NF520; Samsung: ZSS150, ZSS230, ZSS230D	Microsoft Windows 2003 [x64] Enterprise: Edition, Edition R211; Microsoft Windows 2003 [x64] Standard: Edition, Edition R211	PCI Express	QLogic QLE220-E-SP6, 9, 27, 28	FC-AL, FC-SW	Intel SSR212PPf	Y1, 15	See26	
24	Samsung: ZSS230, ZSS230D	Microsoft Windows 2003 [x64] Enterprise: Edition, Edition R211; Microsoft Windows 2003 [x64] Standard: Edition, Edition R211	PCI Express	QLogic: QLA2340-E-SP9, 12, 18, 19, QLA2460-E-SP6, 9, 12, 18, 36	FC-AL, FC-SW	Intel SSR212PPf	Y1, 15	See26	
Microsoft Windows 2003 [x64]									
No.	Host System	Operating System	Host Bus	Host Bus Adapter	Topology	Storage Array	External Boot	Comments	
25	Digital Henge INNO: HR-4850, HR-6850; LangChao: NC3000, NC3500, NF500, NF520; Samsung: ZSS230, ZSS230D	Microsoft Windows 2003 [x64] Enterprise: Edition, Edition R211; Microsoft Windows 2003 [x64] Standard: Edition, Edition R211	PCI Express	QLogic: QLE220-E-SP6, 9, 27, 28, QLE2360-E-SP9, 12, 18, 35, QLE2460-E-SP6, 9, 12, 18, 36	FC-AL, FC-SW	Intel SSR212PPf	Y1, 15, 20	See26	
26	Digital Henge INNO: HR-4850, HR-6850; Digital Henge Revo: JS1400, JS2400; IBM xSeries x3455 (7984); LangChao: NC3000, NC3500, NF500, NF520; Samsung: ZSS150, ZSS230, ZSS230D	Microsoft Windows 2003 [x64] Enterprise: Edition, Edition R211; Microsoft Windows 2003 [x64] Standard: Edition, Edition R211	PCI Express	QLogic: QLE2360-E-SP9, 12, 18, 35, QLE2460-E-SP6, 9, 12, 18, 36	FC-AL, FC-SW	Intel SSR212PPf	Y1, 15	See26	
27	Digital Henge INNO: HR-4850, HR-6850; IBM xSeries x3455 (7984); LangChao: NC3000, NC3500, NF500, NF520; Samsung: ZSS230, ZSS230D	Microsoft Windows 2003 [x64] Enterprise: Edition, Edition R211; Microsoft Windows 2003 [x64] Standard: Edition, Edition R211	PCI Express	QLogic: QLE2360-E-SP9, 12, 18, 35, QLE2460-E-SP6, 9, 12, 18, 36	FC-AL, FC-SW	Intel SSR212PPf	Y1, 2, 15	See26	
28	Dell PowerEdge: 1800, 1950, 2850, 6800, 6850	Microsoft Windows 2003 [x64] Enterprise: Edition, Edition R211; Microsoft Windows 2003 [x64] Standard: Edition, Edition R211	PCI Express	QLogic: QLE2360-E-SP9, 12, 35, QLE2460-E-SP6, 9, 12, 36	FC-AL, FC-SW	Intel SSR212PPf	Y1, 2, 15	See26	
29	Dell PowerEdge: 1850, 1950, 2800	Microsoft Windows 2003 [x64] Enterprise: Edition, Edition R211; Microsoft Windows 2003 [x64] Standard: Edition, Edition R211	PCI Express	QLogic: QLE2360-E-SP9, 12, 35, QLE2460-E-SP6, 9, 12, 36	FC-AL, FC-SW	Intel SSR212PPf	Y1, 15	See26	
30	Fujitsu Siemens Primergy: RX220, RX600 S3, TX600 S3	Microsoft Windows 2003 [x64] Enterprise: Edition, Edition R211; Microsoft Windows 2003 [x64] Standard: Edition, Edition R211	PCI Express, PCI-X	Emulex LP1050Ex-E4, 6, 8, 9, 33	FC-AL, FC-SW	Intel SSR212PPf	Y1, 2, 15, Y1, 15	See14	
31	IBM: eServer 326m (Model 7969), xSeries x3550 (7978), xSeries x3650 (7979), xSeries x3755 (8877)	Microsoft Windows 2003 [x64] Enterprise: Edition, Edition R211; Microsoft Windows 2003 [x64] Standard: Edition, Edition R211	PCI Express, PCI-X	Emulex LP1050Ex-E4, 6, 8, 9, 34	FC-AL, FC-SW	Intel SSR212PPf	Y1, 2, 15, Y1, 15	See14	

32	Digital Henge INNO: HR-4850T, HR-6850T; Intel: SC5300AF2, SE7520BB2, SR1400/SE7520JR2, SR2400/SE7520JR2, SR4850HW4-M/SR6850HW4-M, SR4850HW4/SR6850HW4; Lenovo SureServer: R630 G5, R650, R650 G5, T650	Microsoft Windows 2003 [x64] Enterprise: Edition, Edition R211; Microsoft Windows 2003 [x64] Standard: Edition, Edition R211	PCI Express, PCI-X	Emulex LP1150-E4, 6, 7, 8, 9, 16	FC-AL, FC-SW	Intel SSR212PPf	Y1, 15, Y1, 15, 20	See14
33	Dell PowerEdge: 1900, 2900, 2950, 6950; Digital Henge INNO: HR-4850T, HR-6850T; Digital Henge Rev0: AS1500, AS1550, AS2500; Fujitsu Siemens Primergy: RX200 S3, RX220, RX600 S3, TX300 S3, TX600 S3; IBM: eServer 326m (Model 7969), xSeries x3550 (7978), xSeries x3650 (7979), xSeries x3755 (8877); Intel: SC5300AF2, SE7520BB2, SR1400/SE7520JR2, SR1500/S5000PAL, SR2400/SE7520JR2, SR2500/S5000PAL, SR4850HW4-M/SR6850HW4-M, SR4850HW4/SR6850HW4; Lenovo SureServer: R630 G5, R650, R650 G5, T650; Samsung ZSS132	Microsoft Windows 2003 [x64] Enterprise: Edition, Edition R211; Microsoft Windows 2003 [x64] Standard: Edition, Edition R211	PCI Express, PCI-X	Emulex LPe111-E4, 6, 7, 9, 29	FC-AL, FC-SW	Intel SSR212PPf	Y1, 15	See14

Microsoft Windows 2003 [x64]

No.	Host System	Operating System	Host Bus	Host Bus Adapter	Topology	Storage Array	External Boot	Comments
34	Dell PowerEdge: 1900, 2900, 2950, 6950; Digital Henge INNO: HR-4850T, HR-6850T; Digital Henge Rev0: AS1500, AS1550, AS2500; Fujitsu Siemens Primergy: RX200 S3, RX220, RX600 S3, TX300 S3, TX600 S3; IBM: eServer 326m (Model 7969), xSeries x3550 (7978), xSeries x3650 (7979), xSeries x3755 (8877); Intel: SR1500/S5000PAL, SR2500/S5000PAL, SR4850HW4-M/SR6850HW4-M, SR4850HW4/SR6850HW4; Lenovo SureServer: R630 G5, R650, R650 G5, T650; Samsung ZSS132	Microsoft Windows 2003 [x64] Enterprise: Edition, Edition R211; Microsoft Windows 2003 [x64] Standard: Edition, Edition R211	PCI Express, PCI-X	Emulex LPe111-E4, 6, 7, 9, 29	FC-AL, FC-SW	Intel SSR212PPf	Y1, 2, 15	See14
35	IBM xSeries: x3550 (7978), x3650 (7979), x3755 (8877)	Microsoft Windows 2003 [x64] Enterprise: Edition, Edition R211; Microsoft Windows 2003 [x64] Standard: Edition, Edition R211	PCI Express, PCI-X	Emulex LPe1150-E4, 5, 6, 8, 9	FC-AL, FC-SW	Intel SSR212PPf	Y1, 2, 15	See14
36	Fujitsu Siemens Primergy: RX200 S3, RX220, RX600 S3, TX300 S3, TX600 S3	Microsoft Windows 2003 [x64] Enterprise: Edition, Edition R211; Microsoft Windows 2003 [x64] Standard: Edition, Edition R211	PCI Express, PCI-X	Emulex LPe1150-E4, 6, 8, 9, 59	FC-AL, FC-SW	Intel SSR212PPf	Y1, 2, 15, Y1, 15	See14
37	Dell PowerEdge: 1900, 2900, 2950, 6950; Digital Henge INNO: HR-4850T, HR-6850T; Digital Henge Rev0: AS1500, AS1550, AS2500; IBM xSeries: x3550 (7978), x3650 (7979), x3755 (8877); Intel: SC5300AF2, SE7520BB2, SR1400/SE7520JR2, SR1500/S5000PAL, SR2400/SE7520JR2, SR2500/S5000PAL, SR4850HW4-M/SR6850HW4-M, SR4850HW4/SR6850HW4; Lenovo SureServer: R630 G5, R650, R650 G5, T650; Samsung ZSS132	Microsoft Windows 2003 [x64] Enterprise: Edition, Edition R211; Microsoft Windows 2003 [x64] Standard: Edition, Edition R211	PCI Express, PCI-X	Emulex: LP1050-E4, 7, 8, 9, 34, LP982-E4, 7, 8, 9, 34	FC-AL, FC-SW	Intel SSR212PPf	Y1, 15	See14

38	Digital Henge INNO: HR-4850T, HR-6850T; IBM xSeries: x3550 (7978), x3650 (7979), x3755 (8877); Intel: SC5300AF2, SE7520BB2, SR1400/SE7520JR2, SR2400/SE7520JR2, SR4850HW4-M/SR6850HW4-M, SR4850HW4/SR6850HW4; Lenovo SureServer: R630 G5, R650, R650 G5, T650	Microsoft Windows 2003 [x64] Enterprise: Edition, Edition R211; Microsoft Windows 2003 [x64] Standard: Edition, Edition R211	PCI Express, PCI-X	Emulex: LP1050-E4, 7, 8, 9, 34, LP982-E4, 7, 8, 9, 34	FC-AL, FC-SW	Intel SSR212PPf	Y1, 15, 20	See14
39	IBM xSeries: x3550 (7978), x3650 (7979), x3755 (8877)	Microsoft Windows 2003 [x64] Enterprise: Edition, Edition R211; Microsoft Windows 2003 [x64] Standard: Edition, Edition R211	PCI Express, PCI-X	Emulex: LP1050-E4, 8, 9, 34, LP1150-E4, 6, 8, 9, 16, LP982-E4, 8, 9, 34, LPe1150-E4, 5, 6, 8, 9	FC-AL, FC-SW	Intel SSR212PPf	Y1, 15	See14
40	Digital Henge INNO: HR-4850T, HR-6850T; IBM eServer 326m (Model 7969); Intel: SC5300AF2, SE7520BB2, SR1400/SE7520JR2, SR2400/SE7520JR2, SR4850HW4-M/SR6850HW4-M, SR4850HW4/SR6850HW4; Lenovo SureServer: R630 G5, R650, R650 G5, T650	Microsoft Windows 2003 [x64] Enterprise: Edition, Edition R211; Microsoft Windows 2003 [x64] Standard: Edition, Edition R211	PCI Express, PCI-X	Emulex: LP1050Ex-E4, 6, 7, 8, 9, 34, LPe1150-E4, 5, 6, 7, 8, 9	FC-AL, FC-SW	Intel SSR212PPf	Y1, 15	See14
41	Digital Henge INNO: HR-4850T, HR-6850T; IBM eServer 326m (Model 7969); Intel: SR4850HW4-M/SR6850HW4-M, SR4850HW4/SR6850HW4; Lenovo SureServer: R630 G5, R650, R650 G5, T650	Microsoft Windows 2003 [x64] Enterprise: Edition, Edition R211; Microsoft Windows 2003 [x64] Standard: Edition, Edition R211	PCI Express, PCI-X	Emulex: LP1050Ex-E4, 6, 7, 8, 9, 34, LPe1150-E4, 5, 6, 7, 8, 9	FC-AL, FC-SW	Intel SSR212PPf	Y1, 2, 15	See14
42	Dell PowerEdge: 1900, 2900, 2950, 6950; Digital Henge Rev0: AS1500, AS1550, AS2500; Intel: SR1500/S5000PAL, SR2500/S5000PAL; Samsung ZSS132	Microsoft Windows 2003 [x64] Enterprise: Edition, Edition R211; Microsoft Windows 2003 [x64] Standard: Edition, Edition R211	PCI Express, PCI-X	Emulex: LP1050Ex-E4, 6, 7, 9, 34, LPe1150-E4, 5, 6, 7, 9	FC-AL, FC-SW	Intel SSR212PPf	Y1, 2, 15, Y1, 15	See14

Microsoft Windows 2003 [x64]

No.	Host System	Operating System	Host Bus	Host Bus Adapter	Topology	Storage Array	External Boot	Comments
43	HPQ Proliant ML350(G4)3	Microsoft Windows 2003 [x64] Enterprise: Edition, Edition R211; Microsoft Windows 2003 [x64] Standard: Edition, Edition R211	PCI Express, PCI-X	HPQ: AB429A/FC1143 (QLA2460)6, 9, 12, 36, AE369A/FC1243 (QLA2462)6, 9, 12, 36	FC-AL, FC-SW	Intel SSR212PPf	Y1, 15	See26
44	IBM xSeries: x3550 (7978), x3650 (7979)	Microsoft Windows 2003 [x64] Enterprise: Edition, Edition R211; Microsoft Windows 2003 [x64] Standard: Edition, Edition R211	PCI Express, PCI-X	IBM 19K1246 (QLA2310)9, 12, 17, 18, 19	FC-AL, FC-SW	Intel SSR212PPf	Y1, 20	
45	IBM xSeries: x346 (8840)75, x3550 (7978), x3650 (7979)	Microsoft Windows 2003 [x64] Enterprise: Edition, Edition R211; Microsoft Windows 2003 [x64] Standard: Edition, Edition R211	PCI Express, PCI-X	IBM 24P0960 (QLA2340)9, 12, 18, 19, 37	FC-AL, FC-SW	Intel SSR212PPf	Y1	
46	IBM xSeries: x3550 (7978), x3650 (7979)	Microsoft Windows 2003 [x64] Enterprise: Edition, Edition R211; Microsoft Windows 2003 [x64] Standard: Edition, Edition R211	PCI Express, PCI-X	IBM 24P8053 (QLA2342)6, 9, 12, 18, 19	FC-AL, FC-SW	Intel SSR212PPf	N, Y1, 2, 15, Y1, 15, Y1, 15, 20	See26
47	IBM xSeries: x3550 (7978), x3650 (7979)	Microsoft Windows 2003 [x64] Enterprise: Edition, Edition R211; Microsoft Windows 2003 [x64] Standard: Edition, Edition R211	PCI Express, PCI-X	IBM 24P8053 (QLA2342)6, 9, 12, 18, 19	FC-AL, FC-SW	Intel SSR212PPf	Y1, 2, 15, Y1, 15, Y1, 15, 20	See14
48	IBM xSeries: x3550 (7978), x3650 (7979)	Microsoft Windows 2003 [x64] Enterprise: Edition, Edition R211;	PCI Express, PCI-X	IBM: 19K1246 (QLA2310)9, 12, 17, 18, 19, 24P8053 (QLA2342)6, 9, 12, 18, 19	FC-AL, FC-SW	Intel SSR212PPf	Y1	

		Microsoft Windows 2003 [x64] Standard: Edition, Edition R211							
49	IBM xSeries: x3550 (7978), x3650 (7979), x3755 (8877)	Microsoft Windows 2003 [x64] Enterprise: Edition, Edition R211; Microsoft Windows 2003 [x64] Standard: Edition, Edition R211	PCI Express, PCI-X	IBM: 39M5894 (QLA2460)6, 9, 36, 60, 39M5895 (QLA2462)6, 9, 36, 60; QLogic: QLA2340-E-SP9, 18, 19, QLA2460-E-SP6, 9, 18, 36, QLE2460-E-SP6, 9, 18, 36	FC-AL, FC-SW	Intel SSR212PPf	Y1, 15	See26	
50	Digital Henge INNO: HR-4850T, HR-6850T; IBM xSeries: x3550 (7978), x3650 (7979), x3755 (8877); Intel: SC5300AF2, SE7520BB2, SR1400/SE7520JR2, SR2400/SE7520JR2, SR4850HW4-M/SR6850HW4-M, SR4850HW4/SR6850HW4; Lenovo SureServer: R630 G5, R650, R650 G5, T650	Microsoft Windows 2003 [x64] Enterprise: Edition, Edition R211; Microsoft Windows 2003 [x64] Standard: Edition, Edition R211	PCI Express, PCI-X	QLogic QLA2340-E-SP9, 12, 18, 19	FC-AL, FC-SW	Intel SSR212PPf	Y1, 15	See26	
51	IBM xSeries: x3550 (7978), x3650 (7979), x3755 (8877)	Microsoft Windows 2003 [x64] Enterprise: Edition, Edition R211; Microsoft Windows 2003 [x64] Standard: Edition, Edition R211	PCI Express, PCI-X	QLogic QLA2340-E-SP9, 12, 18, 19	FC-AL, FC-SW	Intel SSR212PPf	Y1, 15, 20	See26	
52	Digital Henge INNO: HR-4850T, HR-6850T; Intel: SC5300AF2, SE7520BB2, SR1400/SE7520JR2, SR2400/SE7520JR2, SR4850HW4-M/SR6850HW4-M, SR4850HW4/SR6850HW4; Lenovo SureServer: R630 G5, R650, R650 G5, T650	Microsoft Windows 2003 [x64] Enterprise: Edition, Edition R211; Microsoft Windows 2003 [x64] Standard: Edition, Edition R211	PCI Express, PCI-X	QLogic QLA2460-E-SP6, 9, 12, 18, 36	FC-AL, FC-SW	Intel SSR212PPf	Y1, 15	See26	
53	Dell PowerEdge: 1900, 2900, 2950, 6950; Digital Henge INNO: HR-4850T, HR-6850T; Digital Henge Rev0: AS1500, AS1550, AS2500; IBM: eServer 326m (Model 7969), xSeries x3550 (7978), xSeries x3650 (7979), xSeries x3755 (8877); Intel: SC5300AF2, SE7520BB2, SR1400/SE7520JR2, SR1500/S5000PAL, SR2400/SE7520JR2, SR2500/S5000PAL, SR4850HW4-M/SR6850HW4-M, SR4850HW4/SR6850HW4; Lenovo SureServer: R630 G5, R650, R650 G5, T650; Samsung ZSS132	Microsoft Windows 2003 [x64] Enterprise: Edition, Edition R211; Microsoft Windows 2003 [x64] Standard: Edition, Edition R211	PCI Express, PCI-X	QLogic QLE220-E-SP6, 9, 27, 28	FC-AL, FC-SW	Intel SSR212PPf	Y1, 15	See26	
Microsoft Windows 2003 [x64]									
No.	Host System	Operating System	Host Bus	Host Bus Adapter	Topology	Storage Array	External Boot	Comments	
54	Dell PowerEdge: 1900, 2900, 2950, 6950; Digital Henge INNO: HR-4850T, HR-6850T; Digital Henge Rev0: AS1500, AS1550, AS2500; IBM: eServer 326m (Model 7969), xSeries x3550 (7978), xSeries x3650 (7979), xSeries x3755 (8877); Intel: SR1500/S5000PAL, SR2500/S5000PAL, SR4850HW4-M/SR6850HW4-M, SR4850HW4/SR6850HW4; Lenovo SureServer: R630 G5, R650, R650 G5, T650; Samsung ZSS132	Microsoft Windows 2003 [x64] Enterprise: Edition, Edition R211; Microsoft Windows 2003 [x64] Standard: Edition, Edition R211	PCI Express, PCI-X	QLogic QLE220-E-SP6, 9, 27, 28	FC-AL, FC-SW	Intel SSR212PPf	Y1, 2, 15	See26	
55	Dell PowerEdge: 1900, 2900, 2950, 6950; Digital Henge Rev0: AS1500, AS1550, AS2500; Intel: SR1500/S5000PAL, SR2500/S5000PAL; Samsung ZSS132	Microsoft Windows 2003 [x64] Enterprise: Edition, Edition R211; Microsoft Windows 2003 [x64] Standard: Edition, Edition R211	PCI Express, PCI-X	QLogic QLE2360-E-SP9, 12, 35	FC-AL, FC-SW	Intel SSR212PPf	Y1, 2, 15	See26	
56	IBM xSeries: x346 (8840)75, x3550 (7978), x3650 (7979), x3755 (8877)	Microsoft Windows 2003 [x64] Enterprise: Edition,	PCI Express, PCI-X	QLogic QLE2360-E-SP9, 18, 35	FC-AL, FC-SW	Intel SSR212PPf	Y1, 2, 15, Y1, 15	See26	

		Edition R211; Microsoft Windows 2003 [x64] Standard: Edition, Edition R211						
57	Dell PowerEdge: 1900, 2900, 2950, 6950	Microsoft Windows 2003 [x64] Enterprise: Edition, Edition R211; Microsoft Windows 2003 [x64] Standard: Edition, Edition R211	PCI Express, PCI-X	QLogic QLE2460-E-SP6, 9, 12, 36	FC-AL, FC-SW	Intel SSR212PPf	Y1, 15	See26
58	IBM xSeries: x3550 (7978), x3650 (7979), x3755 (8877)	Microsoft Windows 2003 [x64] Enterprise: Edition, Edition R211; Microsoft Windows 2003 [x64] Standard: Edition, Edition R211	PCI Express, PCI-X	QLogic QLE2460-E-SP6, 9, 18, 36	FC-AL, FC-SW	Intel SSR212PPf	Y1, 2, 15	See26
59	Dell PowerEdge: 1900, 2900, 2950, 6950; Digital Henge Revo: AS1500, AS1550, AS2500; Intel: SR1500/S5000PAL, SR2500/S5000PAL; Samsung ZSS132	Microsoft Windows 2003 [x64] Enterprise: Edition, Edition R211; Microsoft Windows 2003 [x64] Standard: Edition, Edition R211	PCI Express, PCI-X	QLogic: QLA2340-E-SP9, 12, 19, QLE2360-E-SP9, 12, 35	FC-AL, FC-SW	Intel SSR212PPf	Y1, 15	See26
60	Digital Henge INNO: HR-4850T, HR-6850T; IBM eServer 326m (Model 7969); Intel: SR4850HW4-M/SR6850HW4-M, SR4850HW4/SR6850HW4; Lenovo SureServer: R630 G5, R650, R650 G5, T650	Microsoft Windows 2003 [x64] Enterprise: Edition, Edition R211; Microsoft Windows 2003 [x64] Standard: Edition, Edition R211	PCI Express, PCI-X	QLogic: QLE220-E-SP6, 9, 27, 28, QLE2360-E-SP9, 12, 18, 35, QLE2460-E-SP6, 9, 12, 18, 36	FC-AL, FC-SW	Intel SSR212PPf	Y1, 15, 20	See26
61	Digital Henge INNO: HR-4850T, HR-6850T; IBM eServer 326m (Model 7969); Intel: SC5300AF2, SE7520BB2, SR1400/SE7520JR2, SR2400/SE7520JR2, SR4850HW4-M/SR6850HW4-M, SR4850HW4/SR6850HW4; Lenovo SureServer: R630 G5, R650, R650 G5, T650	Microsoft Windows 2003 [x64] Enterprise: Edition, Edition R211; Microsoft Windows 2003 [x64] Standard: Edition, Edition R211	PCI Express, PCI-X	QLogic: QLE2360-E-SP9, 12, 18, 35, QLE2460-E-SP6, 9, 12, 18, 36	FC-AL, FC-SW	Intel SSR212PPf	Y1, 15	See26
62	Digital Henge INNO: HR-4850T, HR-6850T; IBM eServer 326m (Model 7969); Intel: SR4850HW4-M/SR6850HW4-M, SR4850HW4/SR6850HW4; Lenovo SureServer: R630 G5, R650, R650 G5, T650	Microsoft Windows 2003 [x64] Enterprise: Edition, Edition R211; Microsoft Windows 2003 [x64] Standard: Edition, Edition R211	PCI Express, PCI-X	QLogic: QLE2360-E-SP9, 12, 18, 35, QLE2460-E-SP6, 9, 12, 18, 36	FC-AL, FC-SW	Intel SSR212PPf	Y1, 2, 15	See26
63	Dell PowerEdge 6850	Microsoft Windows 2003 [x64] Enterprise: Edition, Edition R211; Microsoft Windows 2003 [x64] Standard: Edition, Edition R211	PCI-X	Dell 2362M9, 10, 12, 13	FC-AL, FC-SW	Intel SSR212PPf	Y1	
64	Dell PowerEdge 1855	Microsoft Windows 2003 [x64] Enterprise: Edition, Edition R211; Microsoft Windows 2003 [x64] Standard: Edition, Edition R211	PCI-X	Dell: 2342M9, 12, 19, LPe1105-M4, 5, 6, 7, QME24626, 12, 22	FC-AL, FC-SW	Intel SSR212PPf	Y1	
Microsoft Windows 2003 [x64]								
No.	Host System	Operating System	Host Bus	Host Bus Adapter	Topology	Storage Array	External Boot	Comments
65	Fujitsu Siemens Primergy: RX200 S2, RX300 S2, TX200 S2, TX300 S2	Microsoft Windows 2003 [x64] Enterprise: Edition, Edition R211; Microsoft Windows 2003 [x64] Standard: Edition, Edition R211	PCI-X	Emulex LP1050-E4, 8, 9, 33	FC-AL, FC-SW	Intel SSR212PPf	Y1, 15	See14
66	Digital Henge INNO: HR-4850, HR-6850; HPQ Proliant DL360(G4)3; LangChao: NC3000, NC3500, NF500, NF520; Samsung ZSS150; Sun: V20z, V40z, x4100, x4200	Microsoft Windows 2003 [x64] Enterprise: Edition, Edition R211; Microsoft Windows 2003 [x64] Standard: Edition, Edition R211	PCI-X	Emulex LP1150-E4, 6, 7, 8, 9, 16	FC-AL, FC-SW	Intel SSR212PPf	Y1, 15	See14

67	Digital Henge INNO: HR-4850, HR-6850; LangChao: NC3000, NC3500, NF500, NF520; Samsung ZSS150; Sun: x4100, x4200	Microsoft Windows 2003 [x64] Enterprise: Edition, Edition R211; Microsoft Windows 2003 [x64] Standard: Edition, Edition R211	PCI-X	Emulex LP1150-E4, 6, 7, 8, 9, 16	FC-AL, FC-SW	Intel SSR212PPf	Y1, 15, 20	See14
68	Sun: x4100, x4200	Microsoft Windows 2003 [x64] Enterprise: Edition, Edition R211; Microsoft Windows 2003 [x64] Standard: Edition, Edition R211	PCI-X	Emulex LP1150-E4, 6, 8, 9, 16	FC-AL, FC-SW	Intel SSR212PPf	Y1, 15	See14
69	Dell PowerEdge: 1800, 2800, 2850, 6800, 6850; Digital Henge INNO: HR-4850, HR-6850; HPQ Proliant DL360(G4)3; LangChao: NC3000, NC3500, NF500, NF520; Samsung ZSS150; Sun: V20z, V40z, x4100, x4200	Microsoft Windows 2003 [x64] Enterprise: Edition, Edition R211; Microsoft Windows 2003 [x64] Standard: Edition, Edition R211	PCI-X	Emulex: LP1050-E4, 7, 8, 9, 34, LP982-E4, 7, 8, 9, 34	FC-AL, FC-SW	Intel SSR212PPf	Y1, 15	See14
70	Digital Henge INNO: HR-4850, HR-6850; IBM xSeries x3850/x366 (8863)24, 25; LangChao: NC3000, NC3500, NF500, NF520; Samsung ZSS150	Microsoft Windows 2003 [x64] Enterprise: Edition, Edition R211; Microsoft Windows 2003 [x64] Standard: Edition, Edition R211	PCI-X	Emulex: LP1050-E4, 7, 8, 9, 34, LP982-E4, 7, 8, 9, 34	FC-AL, FC-SW	Intel SSR212PPf	Y1, 15, 20	See14
71	Fujitsu Siemens Primergy: RX600 S2, TX600 S2	Microsoft Windows 2003 [x64] Enterprise: Edition, Edition R211; Microsoft Windows 2003 [x64] Standard: Edition, Edition R211	PCI-X	Emulex: LPe111-E4, 6, 7, 9, 29, LPe1150-E4, 6, 8, 9, 59	FC-AL, FC-SW	Intel SSR212PPf	Y1, 2, 15, Y1, 15	See14
72	HPQ Proliant BL460c: (416653-B21), (416654-B21), (416655-B21), (416656-B21), (432636-B21); HPQ Proliant BL480c: (416666-B21), (416667-B21), (416668-B21), (416669-B21)	Microsoft Windows 2003 [x64] Enterprise: Edition, Edition R211; Microsoft Windows 2003 [x64] Standard: Edition, Edition R211	PCI-X	HPQ Emulex LPe1105-HP 4Gb FC HBA for HP c-Class Bladesystem (403621-B21)4, 29, 32	FC-AL, FC-SW	Intel SSR212PPf	Y1	
73	HPQ Proliant BL460c: (416653-B21), (416654-B21), (416655-B21), (416656-B21), (432636-B21); HPQ Proliant BL480c: (416666-B21), (416667-B21), (416668-B21), (416669-B21)	Microsoft Windows 2003 [x64] Enterprise: Edition, Edition R211; Microsoft Windows 2003 [x64] Standard: Edition, Edition R211	PCI-X	HPQ QLogic QMH2462 4Gb FC HBA for HP c-Class Bladesystem (403619-B21)28, 52	FC-AL, FC-SW	Intel SSR212PPf	Y	
74	HPQ Proliant DL360(G4)3	Microsoft Windows 2003 [x64] Enterprise: Edition, Edition R211; Microsoft Windows 2003 [x64] Standard: Edition, Edition R211	PCI-X	HPQ: A7298A (LP982)4, 7, 8, 9, 34, A7388A (LP1050)4, 7, 8, 9, 34, AD167A/FC2143 (LP1150)4, 6, 7, 8, 61, FCA2214 (QLA2340)9, 12, 18, 19, FCA2408 (LP982)4, 6, 7, 8, 9, 34	FC-AL, FC-SW	Intel SSR212PPf	Y1	
75	HPQ Proliant DL360(G4)3	Microsoft Windows 2003 [x64] Enterprise: Edition, Edition R211; Microsoft Windows 2003 [x64] Standard: Edition, Edition R211	PCI-X	HPQ: AB429A/FC1143 (QLA2460)6, 9, 12, 36, AE369A/FC1243 (QLA2462)6, 9, 12, 36	FC-AL, FC-SW	Intel SSR212PPf	Y1, 15	See26
76	HPQ Proliant BL45p	Microsoft Windows 2003 [x64] Enterprise: Edition, Edition R211; Microsoft Windows 2003 [x64] Standard: Edition, Edition R211	PCI-X	HPQ: Dual-port Fibre Channel Adapter for HP Proliant BL25p/BL45p 381881-B219, 12, 18, 73, Emulex-based BL25/30/35/45p Fibre Channel Mezzanine HBA - 394588-B214, 9, 40, 50	FC-AL, FC-SW	Intel SSR212PPf	Y1	
77	IBM xSeries x3850/x366 (8863)24, 25	Microsoft Windows 2003 [x64] Enterprise: Edition, Edition R211; Microsoft Windows 2003 [x64] Standard: Edition, Edition R211	PCI-X	IBM 19K1246 (QLA2310)9, 12, 17, 18, 19	FC-AL, FC-SW	Intel SSR212PPf	Y1, 20	

Microsoft Windows 2003 [x64]

No.	Host System	Operating System	Host Bus	Host Bus Adapter	Topology	Storage Array	External Boot	Comments
78	NEC Express 5800: 110Rg-1, 180Re-3	Microsoft Windows 2003 [x64] Enterprise: Edition, Edition R211;	PCI-X	NEC N8190-120 (LP1050)4, 7, 8, 9, 34, 53	FC-AL, FC-SW	Intel SSR212PPf	Y1	

		Microsoft Windows 2003 [x64] Standard: Edition, Edition R211							
79	NEC Express 5800: 120Li, 120Rg-1, 120Ri-2	Microsoft Windows 2003 [x64] Enterprise: Edition, Edition R211; Microsoft Windows 2003 [x64] Standard: Edition, Edition R211	PCI-X	NEC N8190-120 (LP1050)4, 7, 8, 9, 34, 53	FC-AL, FC-SW	Intel SSR212PP f	Y1, 15	See14	
80	NEC Express 5800: 120Rf-1, 120Rh-2	Microsoft Windows 2003 [x64] Enterprise: Edition, Edition R211; Microsoft Windows 2003 [x64] Standard: Edition, Edition R211	PCI-X	NEC N8190-120 (LP1050)4, 7, 8, 9, 34, 53	FC-AL, FC-SW	Intel SSR212PP f	Y1, 15		
81	IBM xSeries x3850/x366 (8863)24, 25	Microsoft Windows 2003 [x64] Enterprise: Edition, Edition R211; Microsoft Windows 2003 [x64] Standard: Edition, Edition R211	PCI-X	QLogic QLA2340-E-SP9, 12, 18, 19	FC-AL, FC-SW	Intel SSR212PP f	Y1, 15, 20	See26	
82	Dell PowerEdge: 1800, 2800, 2850, 6800, 6850	Microsoft Windows 2003 [x64] Enterprise: Edition, Edition R211; Microsoft Windows 2003 [x64] Standard: Edition, Edition R211	PCI-X	QLogic QLA2340-E-SP9, 12, 19	FC-AL, FC-SW	Intel SSR212PP f	Y1, 15	See26	
83	Sun: x4100, x4200	Microsoft Windows 2003 [x64] Enterprise: Edition, Edition R211; Microsoft Windows 2003 [x64] Standard: Edition, Edition R211	PCI-X	QLogic QLA2460-E-SP6, 9, 18, 36	FC-AL, FC-SW	Intel SSR212PP f	Y1, 15	See26	
84	Digital Henge INNO: HR-4850, HR-6850; HPQ Proliant DL360(G4)3; LangChao: NC3000, NC3500, NF500, NF520; Samsung ZSS150; Sun: V20z, V40z, x4100, x4200	Microsoft Windows 2003 [x64] Enterprise: Edition, Edition R211; Microsoft Windows 2003 [x64] Standard: Edition, Edition R211	PCI-X	QLogic: QLA2340-E-SP9, 12, 18, 19, QLA2460-E-SP6, 9, 12, 18, 36	FC-AL, FC-SW	Intel SSR212PP f	Y1, 15	See26	
85	Digital Henge Revco: JS1400, JS2400	Microsoft Windows 2003 [x64] Enterprise: Edition, Edition R211; Microsoft Windows 2003 [x64] Standard: Edition, Edition R211	PCI-X21	Emulex: LP1050-E4, 7, 8, 9, 34, LP1150-E4, 6, 7, 8, 9, 16, LP982-E4, 7, 8, 9, 34	FC-AL, FC-SW	Intel SSR212PP f	Y1, 15, Y1, 15, 20	See14	
86	Digital Henge Revco: JS1400, JS2400	Microsoft Windows 2003 [x64] Enterprise: Edition, Edition R211; Microsoft Windows 2003 [x64] Standard: Edition, Edition R211	PCI-X21	QLogic: QLA2340-E-SP9, 12, 18, 19, QLA2460-E-SP6, 9, 12, 18, 36	FC-AL, FC-SW	Intel SSR212PP f	Y1, 15	See26	
87	IBM xSeries x3800/x260 (8865)24	Microsoft Windows 2003 [x64] Enterprise: Edition, Edition R211; Microsoft Windows 2003 [x64] Standard: Edition, Edition R211	PCI-X23	Emulex: LP1050-E4, 7, 8, 9, 34, LP982-E4, 7, 8, 9, 34	FC-AL, FC-SW	Intel SSR212PP f	Y1, 15, 20	See14	
88	IBM xSeries: x3800/x260 (8865)24 , x3950/x3950E/x460 (8872, 8874)24	Microsoft Windows 2003 [x64] Enterprise: Edition, Edition R211; Microsoft Windows 2003 [x64] Standard: Edition, Edition R211	PCI-X23	Emulex: LP1050-E4, 7, 8, 9, 34, LP982-E4, 7, 8, 9, 34	FC-AL, FC-SW	Intel SSR212PP f	Y1, 15	See14	
89	IBM xSeries x3800/x260 (8865)24	Microsoft Windows 2003 [x64] Enterprise: Edition, Edition R211; Microsoft Windows 2003 [x64] Standard: Edition, Edition R211	PCI-X23	IBM 19K1246 (QLA2310)9, 12, 17, 18, 19	FC-AL, FC-SW	Intel SSR212PP f	Y1, 20		
90	IBM xSeries: x3800/x260 (8865)24 , x3950/x3950E/x460 (8872, 8874)24	Microsoft Windows 2003 [x64] Enterprise: Edition, Edition R211; Microsoft Windows 2003 [x64] Standard: Edition,	PCI-X23	IBM: 19K1246 (QLA2310)9, 12, 17, 18, 19, 24P0960 (QLA2340)9, 12, 18, 19, 37	FC-AL, FC-SW	Intel SSR212PP f	Y1		

No.	Host System	Operating System	Host Bus	Host Bus Adapter	Topology	Storage Array	External Boot	Comments
		Edition R211						
91	IBM xSeries x3800/x260 (8865)24	Microsoft Windows 2003 [x64] Enterprise: Edition, Edition R211; Microsoft Windows 2003 [x64] Standard: Edition, Edition R211	PCI-X23	QLogic QLA2340-E-SP9, 12, 18, 19	FC-AL, FC-SW	Intel SSR212PPf	Y1, 15, 20	See26
Microsoft Windows 2003 [x64]								
92	IBM xSeries: x3800/x260 (8865)24 , x3950/x3950E/x460 (8872, 8874)24	Microsoft Windows 2003 [x64] Enterprise: Edition, Edition R211; Microsoft Windows 2003 [x64] Standard: Edition, Edition R211	PCI-X23	QLogic QLA2340-E-SP9, 12, 18, 19	FC-AL, FC-SW	Intel SSR212PPf	Y1, 15	See26
93	HPQ Proliant BL25p	Microsoft Windows 2003 [x64] Enterprise: Edition, Edition R211; Microsoft Windows 2003 [x64] Standard: Edition, Edition R211	PCI-X39	HPQ Dual-port Fibre Channel Adapter for HP Proliant BL25p/BL45p 381881-B219, 12, 18, 73	FC-AL, FC-SW	Intel SSR212PPf	Y1	
94	HPQ Proliant BL25p	Microsoft Windows 2003 [x64] Enterprise: Edition, Edition R211; Microsoft Windows 2003 [x64] Standard: Edition, Edition R211	PCI-X39	HPQ Emulex-based BL25/30/35/45p Fibre Channel Mezzanine HBA - 394588-B214, 9, 40, 50	FC-AL, FC-SW	Intel SSR212PPf	N	
95	HPQ Proliant BL20p: (G3), (G4)	Microsoft Windows 2003 [x64] Enterprise: Edition, Edition R211; Microsoft Windows 2003 [x64] Standard: Edition, Edition R211	PCI-X39	HPQ: Dual-port Fibre Channel Adapter for HP Proliant BL20p (G3) 361426-B219, 12, 18, 38, Emulex-based BL20p (G3) Fibre Channel Mezzanine HBA - 394757-B214, 7, 8, 9, 40	FC-AL, FC-SW	Intel SSR212PPf	N	
96	Dell PowerEdge 1955	Microsoft Windows 2003 [x64] Enterprise: Edition, Edition R211; Microsoft Windows 2003 [x64] Standard: Edition, Edition R211	PCI, PCI Express, PCI-X	Dell: 2342M9, 12, 19, LPe1105-M4, 5, 6, 7, QME24626, 12, 22	FC-AL, FC-SW	Intel SSR212PPf	Y1	
97	HPQ Proliant DL380(G4)3	Microsoft Windows 2003 [x64] Enterprise: Edition, Edition R211; Microsoft Windows 2003 [x64] Standard: Edition, Edition R211	PCI, PCI Express, PCI-X	Emulex LP1050Ex-E4, 6, 7, 8, 9, 34	FC-AL, FC-SW	Intel SSR212PPf	Y1, 2, 15	See14
98	Fujitsu Siemens Primergy TX200 S3; HPQ Proliant DL380(G4)3	Microsoft Windows 2003 [x64] Enterprise: Edition, Edition R211; Microsoft Windows 2003 [x64] Standard: Edition, Edition R211	PCI, PCI Express, PCI-X	Emulex LPe111-E4, 6, 7, 9, 29	FC-AL, FC-SW	Intel SSR212PPf	Y1, 2, 15	See14
99	HPQ Proliant: DL380(G4)3, DL380(G5), DL580(G4)	Microsoft Windows 2003 [x64] Enterprise: Edition, Edition R211; Microsoft Windows 2003 [x64] Standard: Edition, Edition R211	PCI, PCI Express, PCI-X	Emulex LPe1150-E4, 5, 6, 7, 8, 9	FC-AL, FC-SW	Intel SSR212PPf	Y1, 2, 15	See14
100	Fujitsu Siemens Primergy TX200 S3	Microsoft Windows 2003 [x64] Enterprise: Edition, Edition R211; Microsoft Windows 2003 [x64] Standard: Edition, Edition R211	PCI, PCI Express, PCI-X	Emulex LPe1150-E4, 6, 8, 9, 59	FC-AL, FC-SW	Intel SSR212PPf	Y1, 2, 15	See14
101	HPQ Proliant: DL380(G5), DL580(G4)	Microsoft Windows 2003 [x64] Enterprise: Edition, Edition R211; Microsoft Windows 2003 [x64] Standard: Edition, Edition R211	PCI, PCI Express, PCI-X	Emulex LP1150-E4, 6, 7, 8, 9, 16, LPe1150-E4, 5, 6, 7, 8, 9	FC-AL, FC-SW	Intel SSR212PPf	Y1, 15	See14

102	Fujitsu Siemens Primergy TX200 S3	Microsoft Windows 2003 [x64] Enterprise: Edition, Edition R211; Microsoft Windows 2003 [x64] Standard: Edition, Edition R211	PCI, PCI Express, PCI-X	Emulex: LPe111-E4, 6, 7, 9, 29, LPe1150-E4, 6, 8, 9, 59	FC-AL, FC-SW	Intel SSR212PPf	Y1, 15	See14
103	HPQ Proliant: DL380(G5), DL580(G4)	Microsoft Windows 2003 [x64] Enterprise: Edition, Edition R211; Microsoft Windows 2003 [x64] Standard: Edition, Edition R211	PCI, PCI Express, PCI-X	HPQ: A8002A/FC2142SR (LPe1150)4, 5, 6, 7, 8, AD167A/FC2143 (LP1150)4, 6, 7, 8, 61, AE311A/FC1142SR (QLE2460)6, 9, 12, 18, 36	FC-AL, FC-SW	Intel SSR212PPf	Y1	
104	HPQ Proliant: DL380(G5), DL580(G4)	Microsoft Windows 2003 [x64] Enterprise: Edition, Edition R211; Microsoft Windows 2003 [x64] Standard: Edition, Edition R211	PCI, PCI Express, PCI-X	HPQ: A8002A/FC2142SR (LPe1150)4, 5, 6, 7, 8, AE311A/FC1142SR (QLE2460)6, 9, 12, 18, 36	FC-AL, FC-SW	Intel SSR212PPf	Y1, 2	
105	HPQ Proliant: DL380(G5), DL580(G4)	Microsoft Windows 2003 [x64] Enterprise: Edition, Edition R211; Microsoft Windows 2003 [x64] Standard: Edition, Edition R211	PCI, PCI Express, PCI-X	HPQ: AB429A/FC1143 (QLA2460)6, 9, 12, 36, AE369A/FC1243 (QLA2462)6, 9, 12, 36; QLogic QLA2460-E-SP6, 9, 12, 18, 36	FC-AL, FC-SW	Intel SSR212PPf	Y1, 15	See26

Microsoft Windows 2003 [x64]

No.	Host System	Operating System	Host Bus	Host Bus Adapter	Topology	Storage Array	External Boot	Comments
106	HPQ Proliant DL580(G3)3	Microsoft Windows 2003 [x64] Enterprise: Edition, Edition R211; Microsoft Windows 2003 [x64] Standard: Edition, Edition R211	PCI, PCI Express, PCI-X	QLogic QLE220-E-SP6, 9, 27, 28	FC-AL, FC-SW	Intel SSR212PPf	Y1, 2, 15	See26
107	HPQ Proliant: DL380(G4)3, DL580(G3)3	Microsoft Windows 2003 [x64] Enterprise: Edition, Edition R211; Microsoft Windows 2003 [x64] Standard: Edition, Edition R211	PCI, PCI Express, PCI-X	QLogic QLE2360-E-SP9, 12, 18, 35	FC-AL, FC-SW	Intel SSR212PPf	Y1, 2, 15	See26
108	HPQ Proliant: DL380(G4)3, DL380(G5), DL580(G3)3, DL580(G4)	Microsoft Windows 2003 [x64] Enterprise: Edition, Edition R211; Microsoft Windows 2003 [x64] Standard: Edition, Edition R211	PCI, PCI Express, PCI-X	QLogic QLE2460-E-SP6, 9, 12, 18, 36	FC-AL, FC-SW	Intel SSR212PPf	Y1, 2, 15	See26
109	Fujitsu Siemens Primergy RX800 S2	Microsoft Windows 2003 [x64] Enterprise: Edition, Edition R211; Microsoft Windows 2003 [x64] Standard: Edition, Edition R211	PCI, PCI-X	Emulex LP1050-E4, 8, 9, 33	FC-AL, FC-SW	Intel SSR212PPf	Y1, 15	See14
110	HPQ Proliant: DL380(G4)3, DL3853, DL580(G3)3, DL5853	Microsoft Windows 2003 [x64] Enterprise: Edition, Edition R211; Microsoft Windows 2003 [x64] Standard: Edition, Edition R211	PCI, PCI-X	Emulex LP1150-E4, 6, 7, 8, 9, 16	FC-AL, FC-SW	Intel SSR212PPf	Y1, 15	See14
111	Dell PowerEdge 1850; HPQ Proliant: DL380(G4)3, DL3853, DL580(G3)3, DL5853	Microsoft Windows 2003 [x64] Enterprise: Edition, Edition R211; Microsoft Windows 2003 [x64] Standard: Edition, Edition R211	PCI, PCI-X	Emulex: LP1050-E4, 7, 8, 9, 34, LP982-E4, 7, 8, 9, 34	FC-AL, FC-SW	Intel SSR212PPf	Y1, 15	See14
112	HPQ Proliant: DL380(G4)3, DL3853, DL5853	Microsoft Windows 2003 [x64] Enterprise: Edition, Edition R211; Microsoft Windows	PCI, PCI-X	HPQ: A7298A (LP982)4, 7, 8, 9, 34, A7388A (LP1050)4, 7, 8, 9, 34, AD167A/FC2143 (LP1150)4, 6, 7, 8, 61, FCA2214 (QLA2340)9, 12, 18, 19, FCA2408 (LP982)4, 6, 7, 8, 9, 34	FC-AL, FC-SW	Intel SSR212PPf	Y1	

		2003 [x64] Standard: Edition, Edition R211						
113	HPQ Proliant: DL380(G4)3, DL3853, DL5853	Microsoft Windows 2003 [x64] Enterprise: Edition, Edition R211; Microsoft Windows 2003 [x64] Standard: Edition, Edition R211	PCI, PCI-X	HPQ: AB429A/FC1143 (QLA2460)6, 9, 12, 36, AE369A/FC1243 (QLA2462)6, 9, 12, 36	FC-AL, FC-SW	Intel SSR212PPf	Y1, 15	See26
114	Dell PowerEdge 1850	Microsoft Windows 2003 [x64] Enterprise: Edition, Edition R211; Microsoft Windows 2003 [x64] Standard: Edition, Edition R211	PCI, PCI-X	QLogic QLA2340-E-SP9, 12, 19	FC-AL, FC-SW	Intel SSR212PPf	Y1, 15	See26
115	HPQ Proliant: DL380(G4)3, DL3853, DL580(G3)3, DL5853	Microsoft Windows 2003 [x64] Enterprise: Edition, Edition R211; Microsoft Windows 2003 [x64] Standard: Edition, Edition R211	PCI, PCI-X	QLogic: QLA2340-E-SP9, 12, 18, 19, QLA2460-E-SP6, 9, 12, 18, 36	FC-AL, FC-SW	Intel SSR212PPf	Y1, 15	See26
116	Dell PowerEdge 6950	Microsoft Windows 2003 [x64] Enterprise: Edition, Edition R211; Microsoft Windows 2003 [x64] Standard: Edition, Edition R211; Microsoft Windows 2003 [x64] Storage Server: Enterprise Edition R2, Standard Edition R2	PCI Express, PCI-X	QLogic QLE2460-E-SP6, 9, 12, 36	FC-AL, FC-SW	Intel SSR212PPf	Y1, 2, 15	See26
117	Unisys ES7000/one [Xeon]	Microsoft Windows 2003 [x64] Standard Edition R211	PCI-X	Unisys FCH752313-PCX: (LP1050)4, 7, 34, 41, 69, 70, (LP1050)4, 7, 34, 41, 70	FC-AL, FC-SW	Intel SSR212PPf	Y	
118	Unisys ES7000/600	Microsoft Windows 2003 [x64] Standard Edition R211	PCI, PCI-X	Unisys FCH752313-PCX (LP1050)4, 34, 47, 72	FC-AL, FC-SW	Intel SSR212PPf	Y1	
119	HPQ Proliant BL465c: (403433-B21), (403434-B21), (407234-B21), (407235-B21); HPQ Proliant BL480c (404704-B21)	Microsoft Windows 2003 [x64] Standard: Edition, Edition R211	PCI Express	HPQ Emulex LPe1105-HP 4Gb FC HBA for HP c-Class Bladesystem (403621-B21)4, 29, 32	FC-AL, FC-SW	Intel SSR212PPf	Y1	

Microsoft Windows 2003 [x64]

No.	Host System	Operating System	Host Bus	Host Bus Adapter	Topology	Storage Array	External Boot	Comments
120	HPQ Proliant BL465c: (403433-B21), (403434-B21), (407234-B21), (407235-B21); HPQ Proliant BL480c (404704-B21)	Microsoft Windows 2003 [x64] Standard: Edition, Edition R211	PCI Express	HPQ QLogic QMH2462 4Gb FC HBA for HP c-Class Bladesystem (403619-B21)28, 52	FC-AL, FC-SW	Intel SSR212PPf	Y	
121	Dell PowerEdge: 2900, 2950	Microsoft Windows 2003 [x64] Storage Server: Enterprise Edition R2, Standard Edition R2	PCI Express, PCI-X	Emulex: LP1050-E4, 7, 8, 9, 34, LP1050Ex-E4, 6, 7, 9, 34, LP982-E4, 7, 8, 9, 34, LPe111-E4, 6, 7, 9, 29, LPe1150-E4, 5, 6, 7, 9	FC-AL, FC-SW	Intel SSR212PPf	Y1, 15	See14
122	Dell PowerEdge: 2900, 2950, 6950	Microsoft Windows 2003 [x64] Storage Server: Enterprise Edition R2, Standard Edition R2	PCI Express, PCI-X	QLogic QLE2460-E-SP6, 9, 12, 36	FC-AL, FC-SW	Intel SSR212PPf	Y1, 15	See26
123	Dell PowerEdge: 2900, 2950	Microsoft Windows 2003 [x64] Storage Server: Enterprise Edition R2, Standard Edition R2	PCI Express, PCI-X	QLogic: QLA2340-E-SP9, 12, 19, QLE220-E-SP6, 9, 27, 28, QLE2360-E-SP9, 12, 35	FC-AL, FC-SW	Intel SSR212PPf	Y1, 15	See26
124	IBM xSeries x3950/x3950E/x460 (8872, 8874)24	Microsoft Windows 2003 [x64]: DataCenter, DataCenter R211	PCI-X23	Emulex: LP101-E4, 9, 34, 48, 51, LP1050-E4, 7, 8, 9, 34, LP1050-E4, 9, 34, 48, 49, 50, LP982-E4, 7, 8, 9, 34, LP982-E4, 9, 34, 48, 49, 50	FC-AL, FC-SW	Intel SSR212PPf	Y1, 15	See14

125	IBM xSeries x3950/x3950E/x460 (8872, 8874)24	Microsoft Windows 2003 [x64]: DataCenter, DataCenter R211	PCI-X23	IBM 19K1246: (QLA2310)9, 12, 17, 18, 19, (QLA2310)9, 17, 19, 43, 44, 45; IBM 24P0960: (QLA2340)9, 12, 18, 19, 37, (QLA2340)9, 19, 37, 43, 44, 45	FC-AL, FC-SW	Intel SSR212PPf	Y1	
126	IBM xSeries x3950/x3950E/x460 (8872, 8874)24	Microsoft Windows 2003 [x64]: DataCenter, DataCenter R211	PCI-X23	QLogic: QLA2340-E-SP9, 12, 18, 19, QLA2340-E-SP9, 19, 43, 45	FC-AL, FC-SW	Intel SSR212PPf	Y1, 15	See26
127	Unisys ES7000/one [Xeon]	Microsoft Windows 2003 [x64]: DataCenter, Enterprise Edition, Standard Edition	PCI-X	Unisys FCH752313-PCX (LP1050)4, 34, 41, 42	FC-AL, FC-SW	Intel SSR212PPf	Y	
128	Unisys ES7000/600	Microsoft Windows 2003 [x64]: DataCenter, Enterprise Edition, Standard Edition, Standard Edition R211	PCI, PCI-X	Unisys FCH752313-PCX (LP1050)4, 34, 46, 47	FC-AL, FC-SW	Intel SSR212PPf	N	
129	Digital Henge INNO: HR-4850, HR-6850	Microsoft Windows 2003 [x64] Enterprise: Edition, Edition R211; Microsoft Windows 2003 [x64] Standard: Edition, Edition R211	PCI Express	Digital Henge Intel (r) Fibre Channel Module AHWFCMOD6, 9, 10, 12, 13, 18	FC-SW	Intel SSR212PPf	Y1, 2, 15, Y1, 15	See14
130	Digital Henge INNO: HR-4850, HR-6850	Microsoft Windows 2003 [x64] Enterprise: Edition, Edition R211; Microsoft Windows 2003 [x64] Standard: Edition, Edition R211	PCI Express	Digital Henge Intel (r) Fibre Channel Module AHWFCMOD6, 9, 10, 12, 13, 18	FC-SW	Intel SSR212PPf	Y1, 2, 15, Y1, 15, Y1, 15, 20	See26
131	Samsung: ZSS230, ZSS230D	Microsoft Windows 2003 [x64] Enterprise: Edition, Edition R211; Microsoft Windows 2003 [x64] Standard: Edition, Edition R211	PCI Express	Samsung Intel (r) Fibre Channel Module AHWFCMOD6, 9, 10, 12, 13, 18	FC-SW	Intel SSR212PPf	Y1, 2, 15, Y1, 15, Y1, 15, 20	See14
132	Samsung: ZSS230, ZSS230D	Microsoft Windows 2003 [x64] Enterprise: Edition, Edition R211; Microsoft Windows 2003 [x64] Standard: Edition, Edition R211	PCI Express	Samsung Intel (r) Fibre Channel Module AHWFCMOD6, 9, 10, 12, 13, 18	FC-SW	Intel SSR212PPf	Y1, 2, 15, Y1, 15, Y1, 15, 20	See26
133	Digital Henge INNO: HR-4850T, HR-6850T; Intel: SR4850HW4-M/SR6850HW4-M, SR4850HW4/SR6850HW4; Lenovo SureServer: R630 G5, R650, R650 G5, T650	Microsoft Windows 2003 [x64] Enterprise: Edition, Edition R211; Microsoft Windows 2003 [x64] Standard: Edition, Edition R211	PCI Express, PCI-X	Digital Henge Intel (r) Fibre Channel Module AHWFCMOD6, 9, 10, 12, 13, 18	FC-SW	Intel SSR212PPf	Y1, 2, 15, Y1, 15, Y1, 15, 20	See14
134	Digital Henge INNO: HR-4850T, HR-6850T; Intel: SR4850HW4-M/SR6850HW4-M, SR4850HW4/SR6850HW4; Lenovo SureServer: R630 G5, R650, R650 G5, T650	Microsoft Windows 2003 [x64] Enterprise: Edition, Edition R211; Microsoft Windows 2003 [x64] Standard: Edition, Edition R211	PCI Express, PCI-X	Digital Henge Intel (r) Fibre Channel Module AHWFCMOD6, 9, 10, 12, 13, 18	FC-SW	Intel SSR212PPf	Y1, 2, 15, Y1, 15, Y1, 15, 20	See26
135	Bull NovaScale: 2021, 2320	Microsoft Windows 2003 [x64] Enterprise: Edition, Edition R211; Microsoft Windows 2003 [x64] Standard: Edition, Edition R211	PCI-X	Bull 2Gbps FC Mezzanine Card - Dual port: for NovaScale Blade Series CFSN202-11009, 12, 18, 31, mini for NovaScale Blade 2021 CFSN202-21009, 12, 18, 31; Bull: SBEFCM (SFF) Mezzanine HBA6, 9, 12, 18, 31, SBEFCM4 (SFF) 4Gb Mezzanine HBA6, 9, 12, 68, 74	FC-SW	Intel SSR212PPf	Y1	
136	Digital Henge INNO: HR-4850, HR-6850	Microsoft Windows 2003 [x64] Enterprise: Edition, Edition R211; Microsoft Windows 2003 [x64] Standard: Edition, Edition R211	PCI-X	Digital Henge Intel (r) Fibre Channel Module AHWFCMOD6, 9, 10, 12, 13, 18	FC-SW	Intel SSR212PPf	Y1, 15	See26
Microsoft Windows 2003 [x64]								

No.	Host System	Operating System	Host Bus	Host Bus Adapter	Topology	Storage Array	External Boot	Comments
137	Digital Henge INNO: HR-4850, HR-6850	Microsoft Windows 2003 [x64] Enterprise: Edition, Edition R211; Microsoft Windows 2003 [x64] Standard: Edition, Edition R211	PCI-X	Digital Henge Intel (r) Fibre Channel Module AHWFCMOD6, 9, 10, 12, 13, 18	FC-SW	Intel SSR212PPf	Y1, 15, Y1, 15, 20	See14
138	IBM BladeCenter: HS20 (Model 8843), HS21 (Model 8853)64, 71, HS21 (Model 8853)71, LS20 (Model 8850), LS21 (Model 7971)64, LS41 (Model 7972)64	Microsoft Windows 2003 [x64] Enterprise: Edition, Edition R211; Microsoft Windows 2003 [x64] Standard: Edition, Edition R211	PCI-X	IBM Emulex 4Gb SFF Fibre Channel Exp Card (39Y9186)6, 16, 32, 62	FC-SW	Intel SSR212PPf	Y1, 63	See30
139	IBM BladeCenter HS20 (Model: 8832-N1X), 8843); IBM BladeCenter LS20 (Model 8850)	Microsoft Windows 2003 [x64] Enterprise: Edition, Edition R211; Microsoft Windows 2003 [x64] Standard: Edition, Edition R211	PCI-X	IBM HS20 4GB Standard FC Exp Card (26R0884)6, 12, 18, 68	FC-SW	Intel SSR212PPf	Y1	See30
140	IBM BladeCenter HS20 (Model 8843)	Microsoft Windows 2003 [x64] Enterprise: Edition, Edition R211; Microsoft Windows 2003 [x64] Standard: Edition, Edition R211	PCI-X	IBM HS20 FC Exp Card (13N2203)9, 12, 18, 19, 65, 66, 67	FC-SW	Intel SSR212PPf	Y1	See30
141	IBM BladeCenter HS20 (Model 8832-N1X)	Microsoft Windows 2003 [x64] Enterprise: Edition, Edition R211; Microsoft Windows 2003 [x64] Standard: Edition, Edition R211	PCI-X	IBM HS20 FC Exp Card (13N2203)9, 12, 18, 19, 66, 67	FC-SW	Intel SSR212PPf	Y1	See30
142	IBM BladeCenter: HS20 (Model 8843), HS40 (Model 8839)	Microsoft Windows 2003 [x64] Enterprise: Edition, Edition R211; Microsoft Windows 2003 [x64] Standard: Edition, Edition R211	PCI-X	IBM HS20 FC Exp Card (48P7061)6, 9, 12, 18, 19	FC-SW	Intel SSR212PPf	Y1	See30
143	IBM BladeCenter: HS20 (Model 8843), HS21 (Model 8853)64, 71, LS20 (Model 8850), LS21 (Model 7971)64, LS41 (Model 7972)64	Microsoft Windows 2003 [x64] Enterprise: Edition, Edition R211; Microsoft Windows 2003 [x64] Standard: Edition, Edition R211	PCI-X	IBM HS20: 4GB SFF FC Exp Card (26R0890)6, 12, 18, 68, FC Exp Card (26K4841)9, 12, 18, 19, 65, 66, 67	FC-SW	Intel SSR212PPf	Y1	See30
144	Intel SBXD62 Blade Server	Microsoft Windows 2003 [x64] Enterprise: Edition, Edition R211; Microsoft Windows 2003 [x64] Standard: Edition, Edition R211	PCI-X	Intel: SBFCM (SFF) Mezzanine HBA6, 9, 12, 18, 31, SBFCM4 (SFF) 4Gb Mezzanine HBA6, 9, 12, 68, 74	FC-SW	Intel SSR212PPf	Y1	

- Powerpath is supported in boot from SAN configurations for Windows 2003 systems running STORPort drivers (QLogic & Emulex). Windows 2003 servers using STORPort drivers require a Microsoft STORPort hotfix installed to boot with Powerpath. Please see your driver's requirements for the STORPort hotfix (QFE) version.
- Legacy (x86) boot mode supported only for this server. EFI boot is not supported. EFI boot code should be removed from the HBA if installed.
- HPQ (Compaq) Proliant server models that are not listed in the ESM but are only differentiated from supported models by an "R" designator, are rack-mountable servers and are supported.
- BIOS 1.70a3
- Firmware Version 2.50a6
- SNIA HBA API Supported.
- Driver Version 1.20a3 Requires Microsoft STORPort hotfix Q916048. Please see [http://support.microsoft.com/default.aspx?scid=kb;\[LN\];916048](http://support.microsoft.com/default.aspx?scid=kb;[LN];916048). NOTE: Hotfix Q916048 currently requires Service Pack 1 (SP1) to be installed before the hotfix can be installed. STORPort Miniport Driver
- Driver Version 1.11a3 Requires Microsoft STORPort hotfix Q916048. Please see [http://support.microsoft.com/default.aspx?scid=kb;\[LN\];916048](http://support.microsoft.com/default.aspx?scid=kb;[LN];916048). NOTE: Hotfix Q916048 currently requires Service Pack 1 (SP1) to be installed before the hotfix can be installed. STORPort Miniport Driver
- EMC recommends upgrading to the most recent, EMC-Approved, HBA driver.
- This dual port HBA is only supported on DELL PE 6850 in the right-most slot (seen from the rear of the server chassis) marked "FC"
- VDS (Virtual Disk Service) is currently supported for Windows 2003 R2 operating systems. EMC Solutions Enabler 6.2 (minimum version) is required to support VDS for Windows 2003 R2.
- Driver Version 9.1.2.16 Requires Microsoft STORPort hotfix Q916048. Please see [http://support.microsoft.com/default.aspx?scid=kb;\[LN\];916048](http://support.microsoft.com/default.aspx?scid=kb;[LN];916048). NOTE: Hotfix Q916048 currently requires Service Pack 1 (SP1) to be installed before the hotfix can be installed. STORPort Miniport Driver
- BIOS 1.06
- EMC provides in-depth documentation for configurations with Emulex HBAs that contains helpful information for installing and configuring Emulex HBAs with EMC Storage. Visit the EMC driver page on the Emulex website

(<http://www.emulex.com/ts/docoem/emc/index.html>) and download part number 300-001-157 for guide "EMC Fibre Channel with Emulex Host Bus Adapters in the Windows Environment."

15. EMC provides documentation for boot configurations that contains helpful information for systems booting from EMC storage. Visit EMC Powerlink and download part number 300-000-603 for the Windows Host Connectivity Guide.

16. Firmware Version 2.10a10

17. **This HBA is equivalent to the QLogic QLA2310.**

18. Driver Version 9.1.2.15 Requires Microsoft STORPort hotfix Q916048. Please see

[http://support.microsoft.com/default.aspx?scid=kb;\[LN\];916048](http://support.microsoft.com/default.aspx?scid=kb;[LN];916048). NOTE: Hotfix Q916048 currently requires Service Pack 1 (SP1) to be installed before the hotfix can be installed. STORPort Miniport Driver

19. BIOS 1.47

20. When booting from an external storage array, press F1 during server POST and set BIOS Start Options to point to the bus slot containing the SAN boot adapter (Default is Planar SCSI.)

21. PCI-X slots in this server only support low-profile hbas with low-profile brackets. Please ensure your HBA vendor has included the proper bracket to fit this server.

22. BIOS 1.11

23. Accepts PCI-X 1.0 and 2.0 HBAs.

24. Support for 4Gb fibre channel HBAs requires an IBM SPORE to be submitted to IBM.

25. x64 versions of Windows 2003 require the Adaptec SAS SCSI driver from the IBM Support website.

26. EMC provides in-depth documentation for configurations with QLogic HBAs that contains helpful information for installing and configuring QLogic HBAs with EMC Storage. This documentation is located in the EMC section of the QLogic website (<http://www.qlogic.com>) along with HBA drivers, and BIOS.

27. BIOS 1.02

28. Driver Version 9.1.2.19 Requires Microsoft STORPort hotfix Q916048. Please see

[http://support.microsoft.com/default.aspx?scid=kb;\[LN\];916048](http://support.microsoft.com/default.aspx?scid=kb;[LN];916048). NOTE: Hotfix Q916048 currently requires Service Pack 1 (SP1) to be installed before the hotfix can be installed. STORPort Miniport Driver

29. Firmware Version 2.50a8

30. EMC VolumeLogix Software required for multiple BladeServers when direct-attached to EMC Symmetrix storage.

31. BIOS 1.43

32. Driver Version 1.20a3 Requires Microsoft STORPort hotfix Q916048. Please see

[http://support.microsoft.com/default.aspx?scid=kb;\[LN\];916048](http://support.microsoft.com/default.aspx?scid=kb;[LN];916048). NOTE: Hotfix Q916048 currently requires Service Pack 1 (SP1) to be installed before the hotfix can be installed.

33. Firmware Version 1.91a1

34. Firmware Version 1.91a5

35. BIOS 1.05

36. BIOS 1.08

37. This HBA is equivalent to the QLogic QLA2340.

38. BIOS 1.45

39. Dual port PCI-X fibre channel mezzanine card option is embedded. No PCI/PCI-X slots available.

40. Firmware Version 1.91a2

41. Driver Version 1.11a1 Requires Microsoft STORPort hotfix Q916048. Please see

[http://support.microsoft.com/default.aspx?scid=kb;\[LN\];916048](http://support.microsoft.com/default.aspx?scid=kb;[LN];916048). NOTE: Hotfix Q916048 currently requires Service Pack 1 (SP1) to be installed before the hotfix can be installed. STORPort Miniport Driver

42. Driver Version 1.10x1

43. Driver Version 9.1.2.15 STORPort Miniport Driver

44. Driver Version 9.1.2.11 END OF LIFE NOTICE: SCSI miniport and SCSI full port drivers are frozen and EOL at this time for Windows 2003 operating systems. EMC recommends migrating to the currently supported STORPort driver for your HBA. EMC will continue to support existing customers who have Windows 2003 SCSI drivers installed, but any fixes or HCL support will require an upgrade to STORPort. Refer to SalesAdvantage articles for the benefits of using STORPort drivers and information on migrating from SCSI to STOR under Windows 2003. SCSI drivers listed in the April 2006 ESM will be the last supported SCSI drivers for Windows 2003. SCSI Miniport (SCSI Port) Driver. EMC recommends using STORPort drivers where available.

45. Driver Version 9.1.2.16 STORPort Miniport Driver

46. Driver Version 1.10x1 Requires Microsoft STORPort hotfix Q916048. Please see

[http://support.microsoft.com/default.aspx?scid=kb;\[LN\];916048](http://support.microsoft.com/default.aspx?scid=kb;[LN];916048). NOTE: Hotfix Q916048 currently requires Service Pack 1 (SP1) to be installed before the hotfix can be installed. Driver can be acquired from Unisys at <http://www.support.unisys.com/support.htm>

47. Driver Version 1.20a3 Requires Microsoft STORPort hotfix Q916048. Please see

[http://support.microsoft.com/default.aspx?scid=kb;\[LN\];916048](http://support.microsoft.com/default.aspx?scid=kb;[LN];916048). NOTE: Hotfix Q916048 currently requires Service Pack 1 (SP1) to be installed before the hotfix can be installed. STORPort Miniport Driver Driver can be acquired from Unisys at <http://www.support.unisys.com/support.htm>

48. Driver Version 1.20a3 STORPort Miniport Driver

49. Driver Version 2.40a3 END OF LIFE NOTICE: SCSI miniport and SCSI full port drivers are frozen and EOL at this time for Windows 2003 operating systems. EMC recommends migrating to the currently supported STORPort driver for your HBA. EMC will continue to support existing customers who have Windows 2003 SCSI drivers installed, but any fixes or HCL support will require an upgrade to STORPort. Refer to SalesAdvantage articles for the benefits of using STORPort drivers and information on migrating from SCSI to STOR under Windows 2003. SCSI drivers listed in the April 2006 ESM will be the last supported SCSI drivers for Windows 2003. As of 2.40a2 Microsoft will no longer allow the Emulex Port Driver to be used in any HCT LOGO solution or block submissions. The Port driver is still digitally signed, but STORPort drivers will be required for all new HCT LOGO solution and block submissions. SCSI FC Port driver. EMC recommends using STORPort drivers where available.

50. Driver Version 1.11a3

51. Driver Version 1.11a3 STORPort Miniport Driver

52. BIOS 1.16

53. EMC supported drivers, firmware, and boot BIOS can be downloaded from <http://www.emulex.com> in the EMC section, by obtaining the supported driver for the Emulex LP1050-E.

54. Driver Version 1.11a3 Requires Microsoft STORPort hotfix Q916048. Please see

[http://support.microsoft.com/default.aspx?scid=kb;\[LN\];916048](http://support.microsoft.com/default.aspx?scid=kb;[LN];916048). NOTE: Hotfix Q916048 currently requires Service Pack 1 (SP1) to be installed before the hotfix can be installed.

55. EMC does not support booting from external arrays if the boot LUN uses a FAT32 file system and Powerpath is installed. For Powerpath/Boot support, NTFS must be used.
56. Driver Version 9.0.2.17 Requires Microsoft STORPort hotfix Q916048. Please see [http://support.microsoft.com/default.aspx?scid=kb;\[LN\];916048](http://support.microsoft.com/default.aspx?scid=kb;[LN];916048). NOTE: Hotfix Q916048 currently requires Service Pack 1 (SP1) to be installed before the hotfix can be installed. Minimum supported driver due to compatibility reasons. STORPort Miniport Driver
57. BX6xx-series systems use an embedded fibre channel controller. Contact Fujitsu Siemens to acquire the proper BIOS for the embedded fibre channel controller.
58. **FSC Fibre Channel module. Dual channel 2GBit/s HBA for BX6xx-series blade servers only.**
59. Firmware Version 2.50a4
60. Driver Version 9.1.2.16 If using EFI boot driver for external boot, use QLogic EFI Boot code version 1.40. Available at <http://www.qlogic.com> Requires Microsoft STORPort hotfix Q916048. Please see [http://support.microsoft.com/default.aspx?scid=kb;\[LN\];916048](http://support.microsoft.com/default.aspx?scid=kb;[LN];916048). NOTE: Hotfix Q916048 currently requires Service Pack 1 (SP1) to be installed before the hotfix can be installed. STORPort Miniport Driver
61. Firmware Version 2.10a9
62. BIOS 1.71a0
63. Internal port(s) on QLogic or McData 4Gb FC switch module(s) must be set to 4Gb to SAN boot.
64. Mixing 2Gb and 4Gb fibre channel expansion cards is not supported in this server.
65. Refer to EMC Knowledgebase ID emc105679 for any special HBA drivers that may be required.
66. Due to the HS20's embedded FC-SW design, array lun masking is required to assign LUNS to each individual blade server.
67. Dual-port FC switch module. Can be used in place of Optical PassThru Module (OPM.)
68. BIOS 1.12
69. RPQ or Unisys Custom Engineering Request (CER) required.
70. Driver Version 1.10x1 Requires Microsoft STORPort hotfix Q916048. Please see [http://support.microsoft.com/default.aspx?scid=kb;\[LN\];916048](http://support.microsoft.com/default.aspx?scid=kb;[LN];916048). NOTE: Hotfix Q916048 currently requires Service Pack 1 (SP1) to be installed before the hotfix can be installed. STORPort Miniport Driver
71. **BladeCenter support for Windows 2000 operating systems requires an IBM SPORE to be submitted to IBM, then if approved by IBM, be subsequently submitted to EMC as an RPQ for review.**
72. Driver Version 1.10x1 Requires Microsoft STORPort hotfix Q916048. Please see [http://support.microsoft.com/default.aspx?scid=kb;\[LN\];916048](http://support.microsoft.com/default.aspx?scid=kb;[LN];916048). NOTE: Hotfix Q916048 currently requires Service Pack 1 (SP1) to be installed before the hotfix can be installed. STORPort Miniport Driver Driver can be acquired from Unisys at <http://www.support.unisys.com/support.htm>
73. BIOS 1.48
74. Driver Version 9.1.2.11
75. 4GB HBAs are not supported in this server. RPQs for 4GB HBAs will not be approved for this server.

Microsoft Windows 2003 [x86]

Where replication of boot LUN is supported, any use of the replicated boot LUN other than in original host may lead to hardware/configuration mismatch that render the replicated boot LUN unusable. Any issues that arise in trying to use the boot LUN in a host that is non-identical to the source host is outside of the scope of what EMC can support. Also, in any case due to environment failure where I/O is not written back to the source LUN, or if the source LUN is not left in a stable state by the source host, the replicated LUN is not guaranteed to be any more usable than the source. Also, there may be specific software licensing that needs to be investigated when duplicating the boot LUN.

Microsoft Windows 2003 [x86]								
No.	Host System	Operating System	Host Bus	Host Bus Adapter	Topology	Storage Array	External Boot	Comments
1	Unisys ES7000/550	Microsoft Windows 2003 [x86] DataCenter	PCI	Unisys FCH752313-PCX (LP1050)3, 100, 131	FC-AL, FC-SW	Intel SSR212PP f	Y2	
2	IBM xSeries x3950/x3950E/x460 (8872, 8874)42	Microsoft Windows 2003 [x86] DataCenter	PCI-X105	Emulex: LP101-E3, 13, 18, 53, 60, LP1050-E3, 13, 18, 53, 60, 61, LP982-E3, 13, 18, 58, 60, 61	FC-AL, FC-SW	Intel SSR212PP f	Y2, 27	See36
3	IBM xSeries x3950/x3950E/x460 (8872, 8874)42	Microsoft Windows 2003 [x86] DataCenter	PCI-X105	IBM: 19K1246 (QLA2310)14, 18, 19, 22, 28, 120, 24P0960 (QLA2340)14, 18, 19, 22, 28, 103	FC-AL, FC-SW	Intel SSR212PP f	Y2	
4	IBM xSeries x3950/x3950E/x460 (8872, 8874)42	Microsoft Windows 2003 [x86] DataCenter	PCI-X105	QLogic QLA2340-E-SP14, 18, 19, 28	FC-AL, FC-SW	Intel SSR212PP f	Y2, 27	See23
5	Unisys ES7000/600	Microsoft Windows 2003 [x86] DataCenter SP111	PCI, PCI-X	Unisys FCH752313-PCX (LP1050)3, 60, 134, 137	FC-AL, FC-SW	Intel SSR212PP f	Y2	
6	Unisys ES7000/550	Microsoft Windows 2003 [x86] DataCenter: R21, SP1	PCI	Unisys FCH752313-PCX (LP1050)3, 100, 142	FC-AL, FC-SW	Intel SSR212PP f	Y2	
7	IBM xSeries x3950/x3950E/x460 (8872, 8874)42	Microsoft Windows 2003 [x86] DataCenter: R21, SP1	PCI-X105	Emulex: LP101-E3, 18, 49, 50, 60, LP1050-E3, 18, 50, 60, 61, 66, LP1050-E3, 6, 18, 56, 60, LP982-E3, 18, 50, 60, 61, 66, LP982-E3, 6, 18, 56, 60	FC-AL, FC-SW	Intel SSR212PP f	Y2, 27	See36
Microsoft Windows 2003 [x86]								
No.	Host System	Operating System	Host Bus	Host Bus Adapter	Topology	Storage Array	External Boot	Comments
8	IBM xSeries x3950/x3950E/x460 (8872, 8874)42	Microsoft Windows 2003 [x86] DataCenter: R21, SP1	PCI-X105	IBM 19K1246: (QLA2310)18, 19, 20, 21, 22, 120, (QLA2310)9, 18, 19, 82, 120; IBM 24P0960: (QLA2340)18, 19, 20, 21, 22, 103, (QLA2340)9, 18, 19, 82, 103	FC-AL, FC-SW	Intel SSR212PP f	Y2	
9	IBM xSeries x3950/x3950E/x460 (8872, 8874)42	Microsoft Windows 2003 [x86] DataCenter: R21, SP1	PCI-X105	QLogic: QLA2340-E-SP18, 19, 20, 21, QLA2340-E-SP9, 18, 19, 82	FC-AL, FC-SW	Intel SSR212PP f	Y2, 27	See23
10	Unisys Libra Model 520	Microsoft Windows 2003 [x86] DataCenter: R21, SP111	PCI	Unisys FCH752313-PCX (LP1050)3, 108, 125	FC-AL, FC-SW	Intel SSR212PP f	Y2	
11	Unisys: ES7000/520, ES7000/530, ES7000/540	Microsoft Windows 2003 [x86] DataCenter: R21, SP111	PCI	Unisys FCH752313-PCX (LP1050)3, 100, 126	FC-AL, FC-SW	Intel SSR212PP f	Y2	
12	Unisys: EA1400, FS1400	Microsoft Windows 2003 [x86] DataCenter: R21, SP111	PCI	Unisys FCH752313-PCX: (LP1050)3, 123, 127, (LP1050)3, 125	FC-AL, FC-SW	Intel SSR212PP f	Y2	
13	Unisys ES7000/one [Xeon]	Microsoft Windows 2003 [x86] DataCenter: R21, SP111; Microsoft Windows 2003 [x86] Enterprise Edition SP111	PCI-X	Unisys FCH752313-PCX (LP1050)3, 60, 121, 122, 123	FC-AL, FC-SW	Intel SSR212PP f	Y	
14	Unisys ES7000/600	Microsoft Windows 2003 [x86] DataCenter: R21, SP111; Microsoft Windows 2003 [x86]: Enterprise Edition R21, Standard Edition R21	PCI, PCI-X	Unisys FCH752313-PCX (LP1050)3, 60, 134, 138	FC-AL, FC-SW	Intel SSR212PP f	Y2	
15	Unisys ES7000/one [Xeon]	Microsoft Windows 2003 [x86] DataCenter: R21, SP111; Microsoft Windows 2003 [x86]: Enterprise Edition SP111, Standard Edition SP111	PCI-X	Unisys FCH752313-PCX (LP1050)3, 60, 121, 122	FC-AL, FC-SW	Intel SSR212PP f	Y	
16	Unisys: EA1400, FS1400	Microsoft Windows 2003 [x86] DataCenter12	PCI	Unisys FCH752313-PCX (LP1050)3, 133	FC-AL, FC-SW	Intel SSR212PP f	Y2	
17	Unisys: ES7000/520, ES7000/530, ES7000/540	Microsoft Windows 2003 [x86] DataCenter12	PCI	Unisys FCH752313-PCX (LP1050)3, 100, 140	FC-AL, FC-SW	Intel SSR212PP f	Y2	
18	NEC Express 5800 320Ma46, 81	Microsoft Windows 2003 [x86] Enterprise Edition	PCI	QLogic QLA2460-E-SP4, 14, 18, 28, 65, 80	FC-AL, FC-SW	Intel SSR212PP f	Y2	See23

Intel® Storage System SSR212PP-Series

Microsoft Windows 2003 [x86]

19	Stratus ftServer: 430046, 460046	Microsoft Windows 2003 [x86] Enterprise Edition	PCI	QLogic QLA2460-E-SP4, 18, 28, 65, 80, 93	FC-AL, FC-SW	Intel SSR212PP f	N	See23
20	Stratus ftServer: 230043, 330038, 430046, 460046, 560038, 660038	Microsoft Windows 2003 [x86] Enterprise Edition	PCI	QLogic: QLA200-E-SP18, 30, 39, 77, 78, QLA210-E-SP4, 30, 31, 39	FC-AL, FC-SW	Intel SSR212PP f	N	See23
21	HPQ Proliant: BL460c (404664-B21), BL465c (403433-B21), BL465c (403434-B21), BL465c (407234-B21), BL465c (407235-B21), BL480c (404704-B21)	Microsoft Windows 2003 [x86] Enterprise Edition	PCI Express	HPQ QLogic QMH2462 4Gb FC HBA for HP c-Class Bladesystem (403619-B21)29, 71, 72	FC-AL, FC-SW	Intel SSR212PP f	Y	
22	Sun: x4100, x4200	Microsoft Windows 2003 [x86] Enterprise Edition	PCI-X	QLogic QLA2460-E-SP4, 14, 18, 28, 65, 80	FC-AL, FC-SW	Intel SSR212PP f	Y2	See23
23	Sun: x4100, x4200	Microsoft Windows 2003 [x86] Enterprise Edition	PCI-X	QLogic QLA2460-E-SP4, 14, 18, 28, 65, 80, 93	FC-AL, FC-SW	Intel SSR212PP f	N	See23
24	Stratus ftServer: 430046, 460046	Microsoft Windows 2003 [x86] Enterprise Edition SP1	PCI	QLogic QLA2460-E-SP4, 18, 65, 80, 82, 93	FC-AL, FC-SW	Intel SSR212PP f	N	See23
25	NEC Express 5800 320Ma46, 81	Microsoft Windows 2003 [x86] Enterprise Edition SP1	PCI	QLogic QLA2460-E-SP4, 9, 18, 65, 80, 82	FC-AL, FC-SW	Intel SSR212PP f	Y2	See23
26	Stratus ftServer 5700	Microsoft Windows 2003 [x86] Enterprise Edition SP1	PCI	QLogic QLA2460-E-SP4, 9, 18, 65, 80, 82, 93	FC-AL, FC-SW	Intel SSR212PP f	N	See23
27	Stratus ftServer: 230043, 330038, 430046, 460046, 560038, 660038	Microsoft Windows 2003 [x86] Enterprise Edition SP1	PCI	QLogic: QLA200-E-SP18, 30, 44, 77, 78, QLA210-E-SP4, 30, 31, 44	FC-AL, FC-SW	Intel SSR212PP f	N	See23
28	Sun: x4100, x4200	Microsoft Windows 2003 [x86] Enterprise Edition SP1	PCI-X	QLogic QLA2460-E-SP4, 18, 20, 21, 65, 80	FC-AL, FC-SW	Intel SSR212PP f	Y2	See23
29	Sun: x4100, x4200	Microsoft Windows 2003 [x86] Enterprise Edition SP1	PCI-X	QLogic QLA2460-E-SP4, 18, 20, 21, 65, 80, 93	FC-AL, FC-SW	Intel SSR212PP f	N	See23
30	Unisys: ES3220, ES3220L	Microsoft Windows 2003 [x86] Enterprise Edition SP11	PCI, PCI-X	Unisys FCH752313-PCX: (LP1050)3, 123, 127, (LP1050)3, 60, 123	FC-AL, FC-SW	Intel SSR212PP f	N	
31	HPQ Proliant: BL460c (404664-B21), BL465c (403433-B21), BL465c (403434-B21), BL465c (407234-B21), BL465c (407235-B21), BL480c (404704-B21)	Microsoft Windows 2003 [x86] Enterprise Edition: R21, SP1	PCI Express	HPQ QLogic QMH2462 4Gb FC HBA for HP c-Class Bladesystem (403619-B21)26, 71, 72	FC-AL, FC-SW	Intel SSR212PP f	Y	
32	HPQ Proliant BL460c: (416653-B21), (416654-B21), (416655-B21), (416656-B21), (432636-B21); HPQ Proliant BL480c: (416666-B21), (416667-B21), (416668-B21), (416669-B21)	Microsoft Windows 2003 [x86] Enterprise Edition: R21, SP1; Microsoft Windows 2003 [x86] Standard: Edition, Edition R21, Edition SP1	PCI-X	HPQ QLogic QMH2462 4Gb FC HBA for HP c-Class Bladesystem (403619-B21)26, 71, 72	FC-AL, FC-SW	Intel SSR212PP f	Y	

Microsoft Windows 2003 [x86]

No.	Host System	Operating System	Host Bus	Host Bus Adapter	Topology	Storage Array	External Boot	Comments
33	NEC Express 5800: 320Mc-R, 340Hb-R	Microsoft Windows 2003 [x86] Enterprise Edition: R21, SP111	PCI	NEC N8803-031 (QLA2310F)9, 18, 19, 22, 80, 82	FC-AL, FC-SW	Intel SSR212PP f	Y2	
34	NEC Express 5800: 320La-R116, 320Lb116, 320Lb-R116, 117, 320Lc, 320Lc-R, 330Ma-R116, 330Mb-R116, 118, 119, 340Ha-R116, 118, 119	Microsoft Windows 2003 [x86] Enterprise Edition: R21, SP111	PCI	NEC N8803-031 (QLA2310F)9, 18, 19, 22, 80, 82, 115	FC-AL, FC-SW	Intel SSR212PP f	Y2	
35	NEC Express 5800: 320Lb2-R, 320Lc, 320Lc-R	Microsoft Windows 2003 [x86] Enterprise Edition: R21, SP111	PCI	QLogic QLA2310F-E-SP9, 18, 19, 22, 80, 82	FC-AL, FC-SW	Intel SSR212PP f	Y2, 27	See23
36	Unisys Libra Model 520	Microsoft Windows 2003 [x86] Enterprise Edition: R21, SP111	PCI	Unisys FCH752313-PCX (LP1050)3, 108, 128	FC-AL, FC-SW	Intel SSR212PP f	Y2	
37	Unisys: EA1400, FS1400	Microsoft Windows 2003 [x86] Enterprise Edition: R21, SP111	PCI	Unisys FCH752313-PCX (LP1050)3, 123, 129	FC-AL, FC-SW	Intel SSR212PP f	Y2	
38	Unisys: EA1400, FS1300, FS1400, Libra Model 300	Microsoft Windows 2003 [x86] Enterprise Edition: R21, SP111	PCI	Unisys FCH752313-PCX (LP1050)3, 128	FC-AL, FC-SW	Intel SSR212PP f	Y2	
39	Unisys: FS1300, Libra Model 300	Microsoft Windows 2003 [x86] Enterprise Edition: R21, SP111	PCI	Unisys FCH752313-PCX (LP1050)3, 100, 123, 129	FC-AL, FC-SW	Intel SSR212PP f	Y2	
40	Unisys: ES7000/510, ES7000/520, ES7000/530, ES7000/540, ES7000/550, ES7000/560 [32-Bit]	Microsoft Windows 2003 [x86] Enterprise Edition: R21, SP111	PCI	Unisys FCH752313-PCX (LP1050)3, 100, 130	FC-AL, FC-SW	Intel SSR212PP f	Y2	
41	HPQ Proliant: DL32034, DL360(G2)34, DL36034, DL58034, ML350(G2)34, ML35034, ML370(G2)34, ML37034, ML530(G2)34, ML530(G3)34, ML53034, ML57034, ML75034; IBM xSeries: x225, x230, x232, x240, x250, x330, x335, x340 (4500R), x342, x350 (6000R), x370	Microsoft Windows 2003 [x86] Enterprise Edition: R21, SP111; Microsoft Windows 2003 [x86] Standard Edition: R21, SP111	PCI	Emulex LP101-E3, 18, 49, 50, 60	FC-AL, FC-SW	Intel SSR212PP f	Y2, 27	See36
42	HPQ Proliant: DL32034, DL360(G2)34, DL36034, DL58034, ML350(G2)34, ML35034, ML370(G2)34, ML37034, ML530(G2)34, ML530(G3)34, ML53034, ML57034, ML75034; IBM xSeries: x225, x230, x232, x240, x250, x330, x335, x342, x350 (6000R), x370	Microsoft Windows 2003 [x86] Enterprise Edition: R21, SP111; Microsoft Windows 2003 [x86] Standard Edition: R21, SP111	PCI	Emulex LP982-E3, 18, 50, 60, 61, 66	FC-AL, FC-SW	Intel SSR212PP f	Y2, 27	See36

43	Dell PowerEdge: 1550, 2300, 2400, 2450, 2500, 255040, 4300, 4350, 4400, 6100, 6300, 6350, 6400, 6450, 8450	Microsoft Windows 2003 [x86] Enterprise Edition: R21, SP111; Microsoft Windows 2003 [x86] Standard Edition: R21, SP111	PCI	Emulex: LP101-E3, 6, 18, 56, 60, LP982-E3, 6, 18, 60, 61, 66	FC-AL, FC-SW	Intel SSR212PPf	Y2, 27	See36
44	HPQ Proliant: 850034, DL32034, DL360(G2)34, DL36034, DL380(G2)34, DL380(G3)34, DL38034, DL58034, ML350(G2)34, ML35034, ML370(G2)34, ML37034, ML530(G2)34, ML530(G3)34, ML53034, ML57034, ML75034; IBM xSeries: x225, x230, x232, x240, x250, x330, x335, x340 (4500R), x342, x350 (6000R), x370	Microsoft Windows 2003 [x86] Enterprise Edition: R21, SP111; Microsoft Windows 2003 [x86] Standard Edition: R21, SP111	PCI	Emulex: LP1050-E3, 18, 50, 60, 61, 66, LP1150-E3, 4, 18, 49, 50, 61, 75	FC-AL, FC-SW	Intel SSR212PPf	Y2, 27	See36
45	Dell PowerEdge: 1550, 2450, 2500, 255040, 4400, 6350, 6400, 645097, 8450	Microsoft Windows 2003 [x86] Enterprise Edition: R21, SP111; Microsoft Windows 2003 [x86] Standard Edition: R21, SP111	PCI	Emulex: LP1050-E3, 6, 18, 60, 61, 66, LP1150-E3, 4, 6, 18, 56, 61, 75	FC-AL, FC-SW	Intel SSR212PPf	Y2, 27	See36
46	Fujitsu Siemens Primergy: BX60098, BX620 S2F104, BX620 S2104, BX620 S3, BX620104, BX630 (2-way), BX630 (4-way), BX630 (8-way), BX660104	Microsoft Windows 2003 [x86] Enterprise Edition: R21, SP111; Microsoft Windows 2003 [x86] Standard Edition: R21, SP111	PCI	Fujitsu Siemens BX600-FC22Q4, 18, 19, 94, 95	FC-AL, FC-SW	Intel SSR212PPf	Y2	
47	HPQ Proliant: DL32034, DL360(G2)34, DL36034, DL380(G2)34, DL380(G3)34, DL38034, DL58034, ML350(G2)34, ML35034, ML370(G2)34, ML37034, ML530(G2)34, ML53034, ML57034, ML75034	Microsoft Windows 2003 [x86] Enterprise Edition: R21, SP111; Microsoft Windows 2003 [x86] Standard Edition: R21, SP111	PCI	HPQ: A7298A (LP982)3, 18, 49, 50, 60, 61, A7388A (LP1050)3, 18, 49, 50, 60, 61, AD167A/FC2143 (LP1150)3, 4, 49, 50, 61, 112, FCA2214 (QLA2340)18, 19, 20, 21, 22, FCA2408 (LP982)3, 4, 18, 49, 50, 60, 61	FC-AL, FC-SW	Intel SSR212PPf	Y2	
48	IBM xSeries: x225, x230, x232, x240, x250, x330, x335, x340 (4500R), x342, x350 (6000R), x370	Microsoft Windows 2003 [x86] Enterprise Edition: R21, SP111; Microsoft Windows 2003 [x86] Standard Edition: R21, SP111	PCI	IBM 19K1246 (QLA2310)18, 19, 20, 21, 22, 120	FC-AL, FC-SW	Intel SSR212PPf	Y2	
49	IBM xSeries: x230, x240, x250, x330, x335, x340 (4500R), x342, x350 (6000R), x370	Microsoft Windows 2003 [x86] Enterprise Edition: R21, SP111; Microsoft Windows 2003 [x86] Standard Edition: R21, SP111	PCI	IBM 24P0960 (QLA2340)18, 19, 20, 21, 22, 103	FC-AL, FC-SW	Intel SSR212PPf	Y2	

Microsoft Windows 2003 [x86]

No.	Host System	Operating System	Host Bus	Host Bus Adapter	Topology	Storage Array	External Boot	Comments
50	IBM xSeries: x225, x230, x232, x240, x250, x330, x335, x340 (4500R), x342, x350 (6000R), x370	Microsoft Windows 2003 [x86] Enterprise Edition: R21, SP111; Microsoft Windows 2003 [x86] Standard Edition: R21, SP111	PCI	IBM: 39M5894 (QLA2460)4, 18, 22, 65, 74, 39M5895 (QLA2462)4, 18, 22, 65, 74	FC-AL, FC-SW	Intel SSR212PPf	Y2, 27	See23
51	NEC Express 5800: 120Rd-1, 120Rf-2, 140Hd, 140Rc-4, 180Rd-4	Microsoft Windows 2003 [x86] Enterprise Edition: R21, SP111; Microsoft Windows 2003 [x86] Standard Edition: R21, SP111	PCI	NEC N8190-120 (LP1050)3, 6, 18, 55, 56, 60, 61	FC-AL, FC-SW	Intel SSR212PPf	Y2	
52	NEC Express 5800: 320La-R116, 320La116, 320Lb-R116, 117, 320Lb116, 117	Microsoft Windows 2003 [x86] Enterprise Edition: R21, SP111; Microsoft Windows 2003 [x86] Standard Edition: R21, SP111	PCI	NEC N8803-031 (QLA2310F)9, 18, 19, 22, 82	FC-AL, FC-SW	Intel SSR212PPf	Y2	
53	HPQ Proliant: DL32034, DL360(G2)34, DL36034, DL58034, ML350(G2)34, ML35034, ML370(G2)34, ML37034, ML530(G2)34, ML530(G3)34, ML53034, ML57034, ML75034; IBM xSeries: x225, x230, x232, x240, x250, x330, x335, x340 (4500R), x342, x350 (6000R), x370	Microsoft Windows 2003 [x86] Enterprise Edition: R21, SP111; Microsoft Windows 2003 [x86] Standard Edition: R21, SP111	PCI	QLogic: QLA200-E-SP18, 30, 32, 76, 77, 78, QLA210-E-SP4, 30, 31, 32, QLA2340-E-SP18, 19, 20, 21, QLA2460-E-SP4, 18, 20, 21, 22, 65	FC-AL, FC-SW	Intel SSR212PPf	Y2, 27	See23
54	Dell PowerEdge: 1550, 2300, 2400, 2450, 2500, 255040, 4300, 4350, 4400, 6100, 6300, 6350, 6400, 6450, 8450	Microsoft Windows 2003 [x86] Enterprise Edition: R21, SP111; Microsoft Windows 2003 [x86] Standard Edition: R21, SP111	PCI	QLogic: QLA200-E-SP18, 30, 76, 79, QLA210-E-SP4, 30, 32, 35, QLA2340-E-SP9, 10, 18, 19, QLA2460-E-SP4, 18, 21, 65, 106	FC-AL, FC-SW	Intel SSR212PPf	Y2, 27	See23
55	Unisys: ES3120, ES3120L, ES3140, ES3140L	Microsoft Windows 2003 [x86] Enterprise Edition: R21, SP111; Microsoft Windows 2003 [x86] Standard Edition: R21, SP111	PCI	Unisys FCH752313-PCX (LP1050)3, 100, 124	FC-AL, FC-SW	Intel SSR212PPf	Y2	
56	Fujitsu Siemens Primergy: RX200 S2, RX600 S2, TX600 S2	Microsoft Windows 2003 [x86] Enterprise Edition: R21, SP111;	PCI Express	Emulex LP1050Ex-E3, 4, 18, 66, 100	FC-AL, FC-SW	Intel SSR212PPf	Y2, 27, 27, 59	See36

Intel® Storage System SSR212PP-Series

Microsoft Windows 2003 [x86]

		Microsoft Windows 2003 [x86] Standard Edition: R21 , SP111							
57	Dell PowerEdge: 1800, 1850, 1950, 2800, 2850, 6800, 6850; Digital Henge INNO: HR-4850, HR-6850; Fujitsu Siemens Primergy RX300 S3; HPQ Proliant: DL360(G4)34, DL380(G4)34 , DL580(G3)34; IBM xSeries x3455 (7984); LangChao: NC3000, NC3500, NF500, NF520; Samsung: ZSS230, ZSS230D	Microsoft Windows 2003 [x86] Enterprise Edition: R21, SP111; Microsoft Windows 2003 [x86] Standard Edition: R21 , SP111	PCI Express	Emulex LPe111-E3, 4, 6, 15, 18, 37	FC-AL, FC-SW	Intel SSR212PPf	Y2, 27	See36	
58	Digital Henge INNO: HR-4850, HR-6850; Digital Henge Revo: JS1400, JS2400; Fujitsu Siemens Primergy RX300 S3; HPQ Proliant: DL360(G4)34, DL380(G4)34 , DL580(G3)34; LangChao: NC3000, NC3500, NF500, NF520; Samsung: ZSS150, ZSS230, ZSS230D	Microsoft Windows 2003 [x86] Enterprise Edition: R21, SP111; Microsoft Windows 2003 [x86] Standard Edition: R21 , SP111	PCI Express	Emulex LPe111-E3, 4, 6, 15, 18, 37	FC-AL, FC-SW	Intel SSR212PPf	Y2, 27, 59	See36	
59	Fujitsu Siemens Primergy RX300 S3	Microsoft Windows 2003 [x86] Enterprise Edition: R21, SP111; Microsoft Windows 2003 [x86] Standard Edition: R21 , SP111	PCI Express	Emulex LPe1150-E3, 4, 18, 49, 83	FC-AL, FC-SW	Intel SSR212PPf	Y2, 27, 59	See36	
60	Samsung: ZSS230, ZSS230D	Microsoft Windows 2003 [x86] Enterprise Edition: R21, SP111; Microsoft Windows 2003 [x86] Standard Edition: R21 , SP111	PCI Express	Emulex: LP101-E3, 18, 49, 50, 60, LP1050-E3, 18, 50, 60, 61, 66, LP1150-E3, 4, 18, 49, 50, 61, 75, LP982-E3, 18, 50, 60, 61, 66	FC-AL, FC-SW	Intel SSR212PPf	Y2, 27	See36	
61	Dell PowerEdge 1950	Microsoft Windows 2003 [x86] Enterprise Edition: R21, SP111; Microsoft Windows 2003 [x86] Standard Edition: R21 , SP111	PCI Express	Emulex: LP1050-E3, 6, 18, 60, 61, 66, LP982-E3, 6, 18, 60, 61, 66	FC-AL, FC-SW	Intel SSR212PPf	Y2, 27	See36	

Microsoft Windows 2003 [x86]

No.	Host System	Operating System	Host Bus	Host Bus Adapter	Topology	Storage Array	External Boot	Comments
62	Digital Henge INNO: HR-4850, HR-6850; Digital Henge Revo: JS1400, JS2400; HPQ Proliant: DL360(G4)34, DL380(G4)34 , DL580(G3)34; LangChao: NC3000, NC3500, NF500, NF520; Samsung: ZSS150, ZSS230, ZSS230D	Microsoft Windows 2003 [x86] Enterprise Edition: R21, SP111; Microsoft Windows 2003 [x86] Standard Edition: R21 , SP111	PCI Express	Emulex: LP1050Ex-E3, 4, 18, 50, 60, 61, 66, LPe1150-E3, 4, 7, 18, 49, 50, 61	FC-AL, FC-SW	Intel SSR212PPf	Y2, 27, 59	See36
63	Digital Henge INNO: HR-4850, HR-6850; HPQ Proliant: DL360(G4)34, DL380(G4)34 , DL580(G3)34; LangChao: NC3000, NC3500, NF500, NF520; Samsung: ZSS230, ZSS230D	Microsoft Windows 2003 [x86] Enterprise Edition: R21, SP111; Microsoft Windows 2003 [x86] Standard Edition: R21 , SP111	PCI Express	Emulex: LP1050Ex-E3, 4, 18, 50, 60, 61, 66, LPe1150-E3, 4, 7, 18, 49, 50, 61	FC-AL, FC-SW	Intel SSR212PPf	Y2, 27	See36
64	IBM xSeries x3455 (7984)	Microsoft Windows 2003 [x86] Enterprise Edition: R21, SP111; Microsoft Windows 2003 [x86] Standard Edition: R21 , SP111	PCI Express	Emulex: LP1050Ex-E3, 4, 6, 18, 60, 61, 66, LPe1150-E3, 4, 6, 7, 18, 49, 61	FC-AL, FC-SW	Intel SSR212PPf	Y2, 27	See36
65	Dell PowerEdge: 1800, 1850, 1950, 2800, 2850, 6800, 6850	Microsoft Windows 2003 [x86] Enterprise Edition: R21, SP111; Microsoft Windows 2003 [x86] Standard Edition: R21 , SP111	PCI Express	Emulex: LP1050Ex-E3, 4, 6, 18, 60, 61, LPe1150-E3, 4, 6, 7, 18, 61	FC-AL, FC-SW	Intel SSR212PPf	Y2, 27	See36
66	HPQ Proliant DL360(G4)34	Microsoft Windows 2003 [x86] Enterprise Edition: R21, SP111; Microsoft Windows 2003 [x86] Standard Edition: R21 , SP111	PCI Express	HPQ A7560A (LP1050Ex)3, 4, 18, 49, 50, 61	FC-AL, FC-SW	Intel SSR212PPf	Y2, Y2, 59	
67	HPQ Proliant: DL360(G4)34, DL380(G4)34 , DL580(G3)34	Microsoft Windows 2003 [x86] Enterprise Edition: R21, SP111; Microsoft Windows 2003 [x86] Standard Edition: R21 , SP111	PCI Express	HPQ A8002A/FC2142SR (LPe1150)3, 4, 7, 49, 50, 61	FC-AL, FC-SW	Intel SSR212PPf	Y2, Y2, 59	
68	HPQ Proliant: DL360(G4)34, DL380(G4)34	Microsoft Windows 2003 [x86] Enterprise Edition: R21, SP111;	PCI Express	HPQ AE311A/FC1142SR (QLE2460)4, 18, 20, 21, 65, 109	FC-AL, FC-SW	Intel SSR212PPf	Y2, Y2, 59	

		Microsoft Windows 2003 [x86] Standard Edition: R21 , SP111							
69	NEC Express 5800: 120Li, 120Rg-1, 120Ri-2, 140Hf, 140Re-4	Microsoft Windows 2003 [x86] Enterprise Edition: R21, SP111; Microsoft Windows 2003 [x86] Standard Edition: R21 , SP111	PCI Express	NEC N8190-127 (LPe1150)3, 6, 7, 55, 56	FC-AL, FC-SW	Intel SSR212PPf	Y2, 27	See36	
70	NEC Express 5800: 140He, 140Rd-4	Microsoft Windows 2003 [x86] Enterprise Edition: R21, SP111; Microsoft Windows 2003 [x86] Standard Edition: R21 , SP111	PCI Express	NEC N8190-127 (LPe1150)3, 6, 7, 55, 56	FC-AL, FC-SW	Intel SSR212PPf	Y2, 27, 54	See23, 36	
71	Dell PowerEdge 1950	Microsoft Windows 2003 [x86] Enterprise Edition: R21, SP111; Microsoft Windows 2003 [x86] Standard Edition: R21 , SP111	PCI Express	QLogic QLA200-E-SP18, 30, 32, 76, 77, 78	FC-AL, FC-SW	Intel SSR212PPf	Y2, 27, 41	See23	
72	Dell PowerEdge: 1800, 1850, 1950, 2800, 2850, 6800, 6850; Digital Henge INNO: HR-4850, HR-6850; IBM xSeries x3455 (7984); LangChao: NC3000, NC3500, NF500, NF520; Samsung: ZSS230, ZSS230D	Microsoft Windows 2003 [x86] Enterprise Edition: R21, SP111; Microsoft Windows 2003 [x86] Standard Edition: R21 , SP111	PCI Express	QLogic QLE220-E-SP4, 18, 24, 25, 26	FC-AL, FC-SW	Intel SSR212PPf	Y2, 27	See23	
73	Dell PowerEdge 1950	Microsoft Windows 2003 [x86] Enterprise Edition: R21, SP111; Microsoft Windows 2003 [x86] Standard Edition: R21 , SP111	PCI Express	QLogic: QLA200-E-SP18, 30, 32, 76, 77, 78, QLA200-E-SP18, 30, 76, 79, QLA210-E-SP4, 30, 32, 35, QLA2340-E-SP9, 10, 18, 19	FC-AL, FC-SW	Intel SSR212PPf	Y2, 27	See23	
74	Samsung: ZSS230, ZSS230D	Microsoft Windows 2003 [x86] Enterprise Edition: R21, SP111; Microsoft Windows 2003 [x86] Standard Edition: R21 , SP111	PCI Express	QLogic: QLA2340-E-SP18, 19, 20, 21, QLA2460-E-SP4, 18, 20, 21, 22, 65	FC-AL, FC-SW	Intel SSR212PPf	Y2, 27, 59	See23	

Microsoft Windows 2003 [x86]

No.	Host System	Operating System	Host Bus	Host Bus Adapter	Topology	Storage Array	External Boot	Comments
75	Digital Henge INNO: HR-4850, HR-6850; Digital Henge Rev0: JS1400, JS2400; LangChao: NC3000, NC3500, NF500, NF520; Samsung: ZSS150, ZSS230, ZSS230D	Microsoft Windows 2003 [x86] Enterprise Edition: R21, SP111; Microsoft Windows 2003 [x86] Standard Edition: R21 , SP111	PCI Express	QLogic: QLE220-E-SP4, 18, 24, 25, 26, QLE2360-E-SP18, 22, 62, 63, 64, QLE2460-E-SP4, 18, 20, 21, 22, 65	FC-AL, FC-SW	Intel SSR212PPf	Y2, 27, 59	See23
76	Digital Henge INNO: HR-4850, HR-6850; LangChao: NC3000, NC3500, NF500, NF520; Samsung: ZSS230, ZSS230D	Microsoft Windows 2003 [x86] Enterprise Edition: R21, SP111; Microsoft Windows 2003 [x86] Standard Edition: R21 , SP111	PCI Express	QLogic: QLE220-E-SP4, 18, 24, 25, 26, QLE2360-E-SP18, 22, 62, 63, 64, QLE2460-E-SP4, 18, 20, 21, 22, 65	FC-AL, FC-SW	Intel SSR212PPf	Y2, 27, 41	See23
77	Digital Henge INNO: HR-4850, HR-6850; LangChao: NC3000, NC3500, NF500, NF520; Samsung: ZSS230, ZSS230D	Microsoft Windows 2003 [x86] Enterprise Edition: R21, SP111; Microsoft Windows 2003 [x86] Standard Edition: R21 , SP111	PCI Express	QLogic: QLE2360-E-SP18, 22, 62, 63, 64, QLE2460-E-SP4, 18, 20, 21, 22, 65	FC-AL, FC-SW	Intel SSR212PPf	Y2, 27	See23
78	IBM xSeries x3455 (7984)	Microsoft Windows 2003 [x86] Enterprise Edition: R21, SP111; Microsoft Windows 2003 [x86] Standard Edition: R21 , SP111	PCI Express	QLogic: QLE2360-E-SP9, 18, 22, 62, 101, QLE2360-E-SP9, 18, 62, 101, 106, QLE2460-E-SP4, 9, 18, 21, 22, 65, QLE2460-E-SP4, 9, 18, 21, 65, 106	FC-AL, FC-SW	Intel SSR212PPf	Y2, 27	See23
79	Dell PowerEdge: 1800, 1850, 1950, 2800, 2850, 6800, 6850	Microsoft Windows 2003 [x86] Enterprise Edition: R21, SP111; Microsoft Windows 2003 [x86] Standard Edition: R21 , SP111	PCI Express	QLogic: QLE2360-E-SP9, 10, 18, 62, QLE2460-E-SP4, 9, 10, 18, 65	FC-AL, FC-SW	Intel SSR212PPf	Y2, 27	See23
80	IBM eServer 326m (Model 7969)	Microsoft Windows 2003 [x86] Enterprise Edition: R21, SP111; Microsoft Windows 2003 [x86] Standard Edition: R21 , SP111	PCI Express, PCI-X	Emulex LP1050Ex-E3, 4, 18, 60, 61, 66	FC-AL, FC-SW	Intel SSR212PPf	Y2, 27, 59	See36
81	IBM: eServer 326m (Model 7969), xSeries x3550 (7978), xSeries x3650 (7979), xSeries x3755 (8877)	Microsoft Windows 2003 [x86] Enterprise Edition: R21, SP111; Microsoft Windows 2003 [x86] Standard Edition: R21 , SP111	PCI Express, PCI-X	Emulex LP1050Ex-E3, 4, 18, 60, 61, 66	FC-AL, FC-SW	Intel SSR212PPf	Y2, 27	See36

Intel® Storage System SSR212PP-Series

Microsoft Windows 2003 [x86]

82	Fujitsu Siemens Primergy: RX220, RX600 S3, TX600 S3	Microsoft Windows 2003 [x86] Enterprise Edition: R21, SP111; Microsoft Windows 2003 [x86] Standard Edition: R21, SP111	PCI Express, PCI-X	Emulex LP1050Ex-E3, 4, 18, 66, 100	FC-AL, FC-SW	Intel SSR212PPf	Y2, 27, 59	See36
83	Digital Henge INNO: HR-4850T, HR-6850T; IBM xSeries: x3550 (7978), x3650 (7979), x3755 (8877); Intel: SC5300AF2, SE7520BB2, SR1400/SE7520JR2, SR2400/SE7520JR2, SR4850HW4-M/SR6850HW4-M, SR4850HW4/SR6850HW4; Lenovo SureServer: R630 G5, R650, R650 G5, T650	Microsoft Windows 2003 [x86] Enterprise Edition: R21, SP111; Microsoft Windows 2003 [x86] Standard Edition: R21, SP111	PCI Express, PCI-X	Emulex LP1150-E3, 4, 18, 49, 50, 61, 75	FC-AL, FC-SW	Intel SSR212PPf	Y2, 27	See36
84	Dell PowerEdge: 1900, 2900, 2950, 6950; Digital Henge INNO: HR-4850T, HR-6850T; Digital Henge Revo: AS1500, AS1550, AS2500; Fujitsu Siemens Primergy: RX200 S3, RX220, RX600 S3, TX300 S3, TX600 S3; IBM: eServer 326m (Model 7969), xSeries x3550 (7978), xSeries x3650 (7979), xSeries x3755 (8877); Intel: SR1500/S5000PAL, SR2500/S5000PAL, SR4850HW4-M/SR6850HW4-M, SR4850HW4/SR6850HW4; Lenovo SureServer: R630 G5, R650, R650 G5, T650; Samsung ZSS132	Microsoft Windows 2003 [x86] Enterprise Edition: R21, SP111; Microsoft Windows 2003 [x86] Standard Edition: R21, SP111	PCI Express, PCI-X	Emulex LPe111-E3, 4, 6, 15, 18, 37	FC-AL, FC-SW	Intel SSR212PPf	Y2, 27	See36
85	Digital Henge INNO: HR-4850T, HR-6850T; Fujitsu Siemens Primergy: RX200 S3, RX220, RX600 S3, TX300 S3, TX600 S3; IBM eServer 326m (Model 7969); Intel: SC5300AF2, SE7520BB2, SR1400/SE7520JR2, SR2400/SE7520JR2, SR4850HW4-M/SR6850HW4-M, SR4850HW4/SR6850HW4; Lenovo SureServer: R630 G5, R650, R650 G5, T650	Microsoft Windows 2003 [x86] Enterprise Edition: R21, SP111; Microsoft Windows 2003 [x86] Standard Edition: R21, SP111	PCI Express, PCI-X	Emulex LPe111-E3, 4, 6, 15, 18, 37	FC-AL, FC-SW	Intel SSR212PPf	Y2, 27, 59	See36

Microsoft Windows 2003 [x86]

No.	Host System	Operating System	Host Bus	Host Bus Adapter	Topology	Storage Array	External Boot	Comments
86	Fujitsu Siemens Primergy: RX200 S3, RX220, RX600 S3, TX300 S3, TX600 S3	Microsoft Windows 2003 [x86] Enterprise Edition: R21, SP111; Microsoft Windows 2003 [x86] Standard Edition: R21, SP111	PCI Express, PCI-X	Emulex LPe1150-E3, 4, 18, 49, 83	FC-AL, FC-SW	Intel SSR212PPf	Y2, 27, 59	See36
87	Digital Henge INNO: HR-4850T, HR-6850T; IBM xSeries: x336 (8837)45, x346 (8840)45, x3550 (7978), x3650 (7979), x3755 (8877); Intel: SC5300AF2, SE7520BB2, SR1400/SE7520JR2, SR2400/SE7520JR2, SR4850HW4-M/SR6850HW4-M, SR4850HW4/SR6850HW4; Lenovo SureServer: R630 G5, R650, R650 G5, T650	Microsoft Windows 2003 [x86] Enterprise Edition: R21, SP111; Microsoft Windows 2003 [x86] Standard Edition: R21, SP111	PCI Express, PCI-X	Emulex: LP101-E3, 18, 49, 50, 60, LP1050-E3, 18, 50, 60, 61, 66, LP982-E3, 18, 50, 60, 61, 66	FC-AL, FC-SW	Intel SSR212PPf	Y2, 27	See36
88	IBM xSeries: x3550 (7978), x3650 (7979), x3755 (8877)	Microsoft Windows 2003 [x86] Enterprise Edition: R21, SP111; Microsoft Windows 2003 [x86] Standard Edition: R21, SP111	PCI Express, PCI-X	Emulex: LP101-E3, 18, 49, 50, 60, LP1050-E3, 18, 50, 60, 61, 66, LP982-E3, 18, 50, 60, 61, 66	FC-AL, FC-SW	Intel SSR212PPf	Y2, 27, 41	See36
89	IBM xSeries: x3550 (7978), x3650 (7979), x3755 (8877)	Microsoft Windows 2003 [x86] Enterprise Edition: R21, SP111; Microsoft Windows 2003 [x86] Standard Edition: R21, SP111	PCI Express, PCI-X	Emulex: LP101-E3, 18, 49, 60, LP1050-E3, 18, 60, 61, 66, LP1150-E3, 4, 18, 49, 61, 75, LP982-E3, 18, 60, 61, 66, LPe1150-E3, 4, 7, 18, 49, 61	FC-AL, FC-SW	Intel SSR212PPf	Y2, 27	See36
90	Dell PowerEdge: 1900, 2900, 2950, 6950; Digital Henge Revo: AS1500, AS1550, AS2500; Intel: SR1500/S5000PAL, SR2500/S5000PAL; Samsung ZSS132	Microsoft Windows 2003 [x86] Enterprise Edition: R21, SP111; Microsoft Windows 2003 [x86] Standard Edition: R21, SP111	PCI Express, PCI-X	Emulex: LP1050-E3, 6, 18, 60, 61, 66, LP1050Ex-E3, 4, 6, 18, 60, 61, LP982-E3, 6, 18, 60, 61, 66, LPe1150-E3, 4, 6, 7, 18, 61	FC-AL, FC-SW	Intel SSR212PPf	Y2, 27	See36
91	Digital Henge INNO: HR-4850T, HR-6850T; IBM eServer 326m (Model 7969); Intel: SC5300AF2, SE7520BB2, SR1400/SE7520JR2, SR2400/SE7520JR2, SR4850HW4-M/SR6850HW4-M, SR4850HW4/SR6850HW4;	Microsoft Windows 2003 [x86] Enterprise Edition: R21, SP111; Microsoft Windows 2003 [x86] Standard Edition: R21, SP111	PCI Express, PCI-X	Emulex: LP1050Ex-E3, 4, 18, 50, 60, 61, 66, LPe1150-E3, 4, 7, 18, 49, 50, 61	FC-AL, FC-SW	Intel SSR212PPf	Y2, 27, 59	See36

	Lenovo SureServer: R630 G5, R650, R650 G5, T650							
92	Digital Henge INNO: HR-4850T, HR-6850T; IBM eServer 326m (Model 7969); Intel: SR4850HW4-M/SR6850HW4-M, SR4850HW4/SR6850HW4; Lenovo SureServer: R630 G5, R650, R650 G5, T650	Microsoft Windows 2003 [x86] Enterprise Edition: R21, SP111; Microsoft Windows 2003 [x86] Standard Edition: R21, SP111	PCI Express, PCI-X	Emulex: LP1050Ex-E3, 4, 18, 50, 60, 61, 66, LPe1150-E3, 4, 7, 18, 49, 50, 61	FC-AL, FC-SW	Intel SSR212PPf	Y2, 27	See36
93	HPQ Proliant ML350(G4)34	Microsoft Windows 2003 [x86] Enterprise Edition: R21, SP111; Microsoft Windows 2003 [x86] Standard Edition: R21, SP111	PCI Express, PCI-X	HPQ: AB429A/FC1143 (QLA2460)4, 18, 20, 65, AE369A/FC1243 (QLA2462)4, 18, 20, 65	FC-AL, FC-SW	Intel SSR212PPf	Y2, 27	See23
94	IBM xSeries: x3550 (7978), x3650 (7979)	Microsoft Windows 2003 [x86] Enterprise Edition: R21, SP111; Microsoft Windows 2003 [x86] Standard Edition: R21, SP111	PCI Express, PCI-X	IBM 19K1246 (QLA2310)18, 19, 20, 21, 22, 120	FC-AL, FC-SW	Intel SSR212PPf	Y2, 41	
95	IBM xSeries: x3550 (7978), x3650 (7979)	Microsoft Windows 2003 [x86] Enterprise Edition: R21, SP111; Microsoft Windows 2003 [x86] Standard Edition: R21, SP111	PCI Express, PCI-X	IBM 24P8053 (QLA2342)4, 18, 19, 20, 21	FC-AL, FC-SW	Intel SSR212PPf	Y2	
96	IBM xSeries: x3550 (7978), x3650 (7979)	Microsoft Windows 2003 [x86] Enterprise Edition: R21, SP111; Microsoft Windows 2003 [x86] Standard Edition: R21, SP111	PCI Express, PCI-X	IBM 24P8053 (QLA2342)4, 18, 19, 20, 21	FC-AL, FC-SW	Intel SSR212PPf	Y2, 27, Y2, 27, 41	See23
97	IBM xSeries: x3550 (7978), x3650 (7979)	Microsoft Windows 2003 [x86] Enterprise Edition: R21, SP111; Microsoft Windows 2003 [x86] Standard Edition: R21, SP111	PCI Express, PCI-X	IBM 24P8053 (QLA2342)4, 18, 19, 20, 21	FC-AL, FC-SW	Intel SSR212PPf	Y2, 27, Y2, 27, 41	See36
Microsoft Windows 2003 [x86]								
No.	Host System	Operating System	Host Bus	Host Bus Adapter	Topology	Storage Array	External Boot	Comments
98	IBM xSeries: x336 (8837)45, x346 (8840)45, x3550 (7978), x3650 (7979)	Microsoft Windows 2003 [x86] Enterprise Edition: R21, SP111; Microsoft Windows 2003 [x86] Standard Edition: R21, SP111	PCI Express, PCI-X	IBM: 19K1246 (QLA2310)18, 19, 20, 21, 22, 120, 24P0960 (QLA2340)18, 19, 20, 21, 22, 103	FC-AL, FC-SW	Intel SSR212PPf	Y2	
99	IBM xSeries: x3550 (7978), x3650 (7979), x3755 (8877)	Microsoft Windows 2003 [x86] Enterprise Edition: R21, SP111; Microsoft Windows 2003 [x86] Standard Edition: R21, SP111	PCI Express, PCI-X	IBM: 39M5894 (QLA2460)4, 18, 22, 65, 74, 39M5895 (QLA2462)4, 18, 22, 65, 74; QLogic: QLA2340-E-SP18, 19, 21, QLA2460-E-SP4, 18, 21, 22, 65, QLE2460-E-SP4, 18, 21, 22, 65, QLE2460-E-SP4, 18, 21, 65, 106	FC-AL, FC-SW	Intel SSR212PPf	Y2, 27	See23
100	Dell PowerEdge: 1900, 2900, 2950, 6950; Digital Henge Revo: AS1500, AS1550, AS2500; IBM xSeries: x336 (8837)45, x346 (8840)45, x3550 (7978), x3650 (7979), x3755 (8877); Intel: SR1500/S5000PAL, SR2500/S5000PAL; Samsung ZSS132	Microsoft Windows 2003 [x86] Enterprise Edition: R21, SP111; Microsoft Windows 2003 [x86] Standard Edition: R21, SP111	PCI Express, PCI-X	QLogic QLA200-E-SP18, 30, 32, 76, 77, 78	FC-AL, FC-SW	Intel SSR212PPf	Y2, 27	See23
101	Dell PowerEdge: 1900, 2900, 2950, 6950; Digital Henge Revo: AS1500, AS1550, AS2500; IBM xSeries: x3550 (7978), x3650 (7979), x3755 (8877); Intel: SR1500/S5000PAL, SR2500/S5000PAL; Samsung ZSS132	Microsoft Windows 2003 [x86] Enterprise Edition: R21, SP111; Microsoft Windows 2003 [x86] Standard Edition: R21, SP111	PCI Express, PCI-X	QLogic QLA200-E-SP18, 30, 32, 76, 77, 78	FC-AL, FC-SW	Intel SSR212PPf	Y2, 27, 41	See23
102	IBM xSeries: x336 (8837)45, x346 (8840)45, x3550 (7978), x3650 (7979), x3755 (8877)	Microsoft Windows 2003 [x86] Enterprise Edition: R21, SP111; Microsoft Windows 2003 [x86] Standard Edition: R21, SP111	PCI Express, PCI-X	QLogic QLA210-E-SP4, 30, 31, 32	FC-AL, FC-SW	Intel SSR212PPf	Y2, 27	See23

Intel® Storage System SSR212PP-Series

Microsoft Windows 2003 [x86]

103	Digital Henge INNO: HR-4850T, HR-6850T; IBM xSeries: x336 (8837)45, x346 (8840)45 , x3550 (7978), x3650 (7979), x3755 (8877); Intel: SC5300AF2, SE7520BB2, SR1400/SE7520JR2, SR2400/SE7520JR2, SR4850HW4-M/SR6850HW4-M, SR4850HW4/SR6850HW4; Lenovo SureServer: R630 G5, R650, R650 G5, T650	Microsoft Windows 2003 [x86] Enterprise Edition: R21, SP111; Microsoft Windows 2003 [x86] Standard Edition: R21 , SP111	PCI Express, PCI-X	QLogic QLA2340-E-SP18, 19, 20, 21	FC-AL, FC-SW	Intel SSR212PP f	Y2, 27	See23
104	Digital Henge INNO: HR-4850T, HR-6850T; IBM xSeries: x3550 (7978), x3650 (7979), x3755 (8877); Intel: SC5300AF2, SE7520BB2, SR1400/SE7520JR2, SR2400/SE7520JR2, SR4850HW4-M/SR6850HW4-M, SR4850HW4/SR6850HW4; Lenovo SureServer: R630 G5, R650, R650 G5, T650	Microsoft Windows 2003 [x86] Enterprise Edition: R21, SP111; Microsoft Windows 2003 [x86] Standard Edition: R21 , SP111	PCI Express, PCI-X	QLogic QLA2460-E-SP4, 18, 20, 21, 22, 65	FC-AL, FC-SW	Intel SSR212PP f	Y2, 27	See23
105	Dell PowerEdge: 1900, 2900, 2950, 6950; Digital Henge INNO: HR-4850T, HR-6850T; Digital Henge Revo: AS1500, AS1550, AS2500; IBM: eServer 326m (Model 7969), xSeries x3550 (7978), xSeries x3650 (7979), xSeries x3755 (8877); Intel: SR1500/S5000PAL, SR2500/S5000PAL, SR4850HW4-M/SR6850HW4-M, SR4850HW4/SR6850HW4; Lenovo SureServer: R630 G5, R650, R650 G5, T650; Samsung ZSS132	Microsoft Windows 2003 [x86] Enterprise Edition: R21, SP111; Microsoft Windows 2003 [x86] Standard Edition: R21 , SP111	PCI Express, PCI-X	QLogic QLE220-E-SP4, 18, 24, 25, 26	FC-AL, FC-SW	Intel SSR212PP f	Y2, 27	See23
106	Dell PowerEdge: 1900, 2900, 2950, 6950; Digital Henge Revo: AS1500, AS1550, AS2500; IBM xSeries: x3550 (7978), x3650 (7979), x3755 (8877); Intel: SR1500/S5000PAL, SR2500/S5000PAL; Samsung ZSS132	Microsoft Windows 2003 [x86] Enterprise Edition: R21, SP111; Microsoft Windows 2003 [x86] Standard Edition: R21 , SP111	PCI Express, PCI-X	QLogic: QLA200-E-SP18, 30, 76, 79, QLA210-E-SP4, 30, 32, 35	FC-AL, FC-SW	Intel SSR212PP f	Y2, 27	See23

Microsoft Windows 2003 [x86]

No.	Host System	Operating System	Host Bus	Host Bus Adapter	Topology	Storage Array	External Boot	Comments
107	IBM xSeries: x3550 (7978), x3650 (7979), x3755 (8877)	Microsoft Windows 2003 [x86] Enterprise Edition: R21, SP111; Microsoft Windows 2003 [x86] Standard Edition: R21 , SP111	PCI Express, PCI-X	QLogic: QLA210-E-SP4, 30, 31, 32, QLA2340-E-SP18, 19, 20, 21	FC-AL, FC-SW	Intel SSR212PP f	Y2, 27, 41	See23
108	Digital Henge INNO: HR-4850T, HR-6850T; Intel: SC5300AF2, SE7520BB2, SR1400/SE7520JR2, SR2400/SE7520JR2, SR4850HW4-M/SR6850HW4-M, SR4850HW4/SR6850HW4; Lenovo SureServer: R630 G5, R650, R650 G5, T650	Microsoft Windows 2003 [x86] Enterprise Edition: R21, SP111; Microsoft Windows 2003 [x86] Standard Edition: R21 , SP111	PCI Express, PCI-X	QLogic: QLA2340-E-SP18, 19, 20, 21, QLA2460-E-SP4, 18, 20, 21, 22, 65	FC-AL, FC-SW	Intel SSR212PP f	Y2, 27, 59	See23
109	Dell PowerEdge: 1900, 2900, 2950, 6950; Digital Henge Revo: AS1500, AS1550, AS2500; Intel: SR1500/S5000PAL, SR2500/S5000PAL; Samsung ZSS132	Microsoft Windows 2003 [x86] Enterprise Edition: R21, SP111; Microsoft Windows 2003 [x86] Standard Edition: R21 , SP111	PCI Express, PCI-X	QLogic: QLA2340-E-SP9, 10, 18, 19, QLE2360-E-SP9, 10, 18, 62, QLE2460-E-SP4, 9, 10, 18, 65	FC-AL, FC-SW	Intel SSR212PP f	Y2, 27	See23
110	Digital Henge INNO: HR-4850T, HR-6850T; IBM eServer 326m (Model 7969); Intel: SC5300AF2, SE7520BB2, SR1400/SE7520JR2, SR2400/SE7520JR2, SR4850HW4-M/SR6850HW4-M, SR4850HW4/SR6850HW4; Lenovo SureServer: R630 G5, R650, R650 G5, T650	Microsoft Windows 2003 [x86] Enterprise Edition: R21, SP111; Microsoft Windows 2003 [x86] Standard Edition: R21 , SP111	PCI Express, PCI-X	QLogic: QLE220-E-SP4, 18, 24, 25, 26, QLE2360-E-SP18, 22, 62, 63, 64, QLE2460-E-SP4, 18, 20, 21, 22, 65	FC-AL, FC-SW	Intel SSR212PP f	Y2, 27, 59	See23
111	Digital Henge INNO: HR-4850T, HR-6850T; IBM eServer 326m (Model 7969); Intel: SR4850HW4-M/SR6850HW4-M, SR4850HW4/SR6850HW4; Lenovo SureServer: R630 G5, R650, R650 G5, T650	Microsoft Windows 2003 [x86] Enterprise Edition: R21, SP111; Microsoft Windows 2003 [x86] Standard Edition: R21 , SP111	PCI Express, PCI-X	QLogic: QLE220-E-SP4, 18, 24, 25, 26, QLE2360-E-SP18, 22, 62, 63, 64, QLE2460-E-SP4, 18, 20, 21, 22, 65	FC-AL, FC-SW	Intel SSR212PP f	Y2, 27, 41	See23

112	Digital Henge INNO: HR-4850T, HR-6850T; IBM eServer 326m (Model 7969); Intel: SR4850HW4-M/SR6850HW4-M, SR4850HW4/SR6850HW4; Lenovo SureServer: R630 G5, R650, R650 G5, T650	Microsoft Windows 2003 [x86] Enterprise Edition: R21, SP111; Microsoft Windows 2003 [x86] Standard Edition: R21, SP111	PCI Express, PCI-X	QLLogic: QLE2360-E-SP18, 22, 62, 63, 64, QLE2460-E-SP4, 18, 20, 21, 22, 65	FC-AL, FC-SW	Intel SSR212PPf	Y2, 27	See23
113	IBM xSeries: x346 (8840)45, x3550 (7978), x3650 (7979), x3755 (8877)	Microsoft Windows 2003 [x86] Enterprise Edition: R21, SP111; Microsoft Windows 2003 [x86] Standard Edition: R21, SP111	PCI Express, PCI-X	QLLogic: QLE2360-E-SP18, 22, 62, 63, QLE2360-E-SP18, 62, 63, 106	FC-AL, FC-SW	Intel SSR212PPf	Y2, 27	See23
114	Dell PowerEdge 6850	Microsoft Windows 2003 [x86] Enterprise Edition: R21, SP111; Microsoft Windows 2003 [x86] Standard Edition: R21, SP111	PCI-X	Dell 2362M9, 10, 69, 70	FC-AL, FC-SW	Intel SSR212PPf	Y2	
115	Dell PowerEdge 1855	Microsoft Windows 2003 [x86] Enterprise Edition: R21, SP111; Microsoft Windows 2003 [x86] Standard Edition: R21, SP111	PCI-X	Dell: 2342M9, 10, 18, 19, LPe1105-M3, 4, 5, 6, 7, QME24624, 8, 9, 10	FC-AL, FC-SW	Intel SSR212PPf	Y2	
116	Dell PowerEdge: 1600SC, 1650, 1750, 2600, 2650, 4600, 6600, 6650	Microsoft Windows 2003 [x86] Enterprise Edition: R21, SP111; Microsoft Windows 2003 [x86] Standard Edition: R21, SP111	PCI-X	Emulex LP1150-E3, 4, 6, 18, 56, 61, 75	FC-AL, FC-SW	Intel SSR212PPf	Y2, 27	See36
117	Digital Henge INNO: HR-4850, HR-6850, SH4500; HPQ Proliant: BL40p, DL360(G3)34, DL360(G4)34, DL56034, DL74034, DL760 (G2)34, DL76034, ML570(G2)34; IBM xSeries: x235, x255, x360, x365, x440; LangChao: NC2000, NC3000, NC3500, NF420, NF500, NF520; Lenovo: ShenTeng R630, SureServer R630 6003, SureServer R630 6004, SureServer T630 6003, SureServer T630 6004; Samsung: SS210, SS3400, SS3440, SS370, SS3840, ZSS150; Sun: V20z, V40z, x4100, x4200	Microsoft Windows 2003 [x86] Enterprise Edition: R21, SP111; Microsoft Windows 2003 [x86] Standard Edition: R21, SP111	PCI-X	Emulex: LP101-E3, 18, 49, 50, 60, LP1050-E3, 18, 50, 60, 61, 66, LP1150-E3, 4, 18, 49, 50, 61, 75, LP982-E3, 18, 50, 60, 61, 66	FC-AL, FC-SW	Intel SSR212PPf	Y2, 27	See36

Microsoft Windows 2003 [x86]

No.	Host System	Operating System	Host Bus	Host Bus Adapter	Topology	Storage Array	External Boot	Comments
118	IBM xSeries x3850/x366 (8863)42	Microsoft Windows 2003 [x86] Enterprise Edition: R21, SP111; Microsoft Windows 2003 [x86] Standard Edition: R21, SP111	PCI-X	Emulex: LP101-E3, 18, 49, 50, 60, LP1050-E3, 18, 50, 60, 61, 66, LP982-E3, 18, 50, 60, 61, 66	FC-AL, FC-SW	Intel SSR212PPf	Y2, 27, 41	See36
119	Dell PowerEdge: 1600SC, 1650, 1750, 2600, 2650, 2800, 2850, 4600, 6600, 6650, 6800, 6850	Microsoft Windows 2003 [x86] Enterprise Edition: R21, SP111; Microsoft Windows 2003 [x86] Standard Edition: R21, SP111	PCI-X	Emulex: LP101-E3, 6, 18, 56, 60, LP1050-E3, 6, 18, 60, 61, 66, LP982-E3, 6, 18, 60, 61, 66	FC-AL, FC-SW	Intel SSR212PPf	Y2, 27	See36
120	HPQ Proliant DL360(G4)34	Microsoft Windows 2003 [x86] Enterprise Edition: R21, SP111; Microsoft Windows 2003 [x86] Standard Edition: R21, SP111	PCI-X	Emulex: LP1050Ex-E3, 4, 18, 50, 60, 61, 66, LPe111-E3, 4, 6, 15, 18, 37, LPe1150-E3, 4, 7, 18, 49, 50, 61	FC-AL, FC-SW	Intel SSR212PPf	Y2, 27, Y2, 27, 59	See36
121	NEC Express 5800: 140Hf, 140Rd-4	Microsoft Windows 2003 [x86] Enterprise Edition: R21, SP111; Microsoft Windows 2003 [x86] Standard Edition: R21, SP111	PCI-X	Emulex: LPe111-E3, 4, 6, 15, 18, 37, LPe1150-E3, 4, 6, 7, 56	FC-AL, FC-SW	Intel SSR212PPf	Y2	
122	NEC Express 5800: 140He, 140Rd-4	Microsoft Windows 2003 [x86] Enterprise Edition: R21, SP111; Microsoft Windows 2003 [x86] Standard Edition: R21, SP111	PCI-X	Emulex: LPe111-E3, 4, 6, 15, 18, 37, LPe1150-E3, 4, 6, 7, 56; NEC N8190-120 (LP1050)3, 6, 18, 55, 56, 60, 61	FC-AL, FC-SW	Intel SSR212PPf	Y2, 27, 54	See23, 36
123	HPQ Proliant DL360(G4)34	Microsoft Windows 2003 [x86] Enterprise Edition: R21, SP111; Microsoft Windows 2003 [x86] Standard Edition: R21, SP111	PCI-X	HPQ AE311A/FC1142SR (QLE2460)4, 18, 20, 21, 65, 109	FC-AL, FC-SW	Intel SSR212PPf	Y2, 41	

Intel® Storage System SSR212PP-Series

Microsoft Windows 2003 [x86]

124	HPQ Proliant BL45p	Microsoft Windows 2003 [x86] Enterprise Edition: R21, SP111; Microsoft Windows 2003 [x86] Standard Edition: R21, SP111	PCI-X	HPQ Dual-port Fibre Channel Adapter for HP Proliant BL25p/BL45p 381881-B2118, 20, 21, 22, 102	FC-AL, FC-SW	Intel SSR212PPf	Y2	
125	HPQ Proliant: DL360(G3)34, DL360(G4)34, DL56034, DL74034, DL760 (G2)34, DL76034, ML570(G2)34	Microsoft Windows 2003 [x86] Enterprise Edition: R21, SP111; Microsoft Windows 2003 [x86] Standard Edition: R21, SP111	PCI-X	HPQ: A7298A (LP982)3, 18, 49, 50, 60, 61, A7388A (LP1050)3, 18, 49, 50, 60, 61, AD167A/FC2143 (LP1150)3, 4, 49, 50, 61, 112, FCA2214 (QLA2340)18, 19, 20, 21, 22, FCA2408 (LP982)3, 4, 18, 49, 50, 60, 61	FC-AL, FC-SW	Intel SSR212PPf	Y2	
126	HPQ Proliant DL360(G4)34	Microsoft Windows 2003 [x86] Enterprise Edition: R21, SP111; Microsoft Windows 2003 [x86] Standard Edition: R21, SP111	PCI-X	HPQ: A8002A/FC2142SR (LPe1150)3, 4, 7, 49, 50, 61, AE311A/FC1142SR (QLE2460)4, 18, 20, 21, 65, 109	FC-AL, FC-SW	Intel SSR212PPf	Y2, Y2, 59	
127	HPQ Proliant DL360(G4)34	Microsoft Windows 2003 [x86] Enterprise Edition: R21, SP111; Microsoft Windows 2003 [x86] Standard Edition: R21, SP111	PCI-X	HPQ: AB429A/FC1143 (QLA2460)4, 18, 20, 65, AE369A/FC1243 (QLA2462)4, 18, 20, 65; QLogic: QLE220-E-SP4, 18, 24, 25, 26, QLE2360-E-SP18, 22, 62, 63, 64, QLE2460-E-SP4, 18, 20, 21, 22, 65	FC-AL, FC-SW	Intel SSR212PPf	Y2, 27	See23
128	IBM xSeries x3850/x366 (8863)42	Microsoft Windows 2003 [x86] Enterprise Edition: R21, SP111; Microsoft Windows 2003 [x86] Standard Edition: R21, SP111	PCI-X	IBM 19K1246 (QLA2310)18, 19, 20, 21, 22, 120	FC-AL, FC-SW	Intel SSR212PPf	Y2, 41	
129	IBM xSeries: x235, x255, x360, x365, x440	Microsoft Windows 2003 [x86] Enterprise Edition: R21, SP111; Microsoft Windows 2003 [x86] Standard Edition: R21, SP111	PCI-X	IBM: 19K1246 (QLA2310)18, 19, 20, 21, 22, 120, 24P0960 (QLA2340)18, 19, 20, 21, 22, 103	FC-AL, FC-SW	Intel SSR212PPf	Y2	
130	IBM xSeries: x235, x255, x360, x365, x440	Microsoft Windows 2003 [x86] Enterprise Edition: R21, SP111; Microsoft Windows 2003 [x86] Standard Edition: R21, SP111	PCI-X	IBM: 39M5894 (QLA2460)4, 18, 22, 65, 74, 39M5895 (QLA2462)4, 18, 22, 65, 74	FC-AL, FC-SW	Intel SSR212PPf	Y2, 27	See23
131	NEC Express 5800: 110Rg-1, 120Lh, 120Re-1, 120Rg-2, 180Re-3	Microsoft Windows 2003 [x86] Enterprise Edition: R21, SP111; Microsoft Windows 2003 [x86] Standard Edition: R21, SP111	PCI-X	NEC N8190-120 (LP1050)3, 6, 18, 55, 56, 60, 61	FC-AL, FC-SW	Intel SSR212PPf	Y2	

Microsoft Windows 2003 [x86]

No.	Host System	Operating System	Host Bus	Host Bus Adapter	Topology	Storage Array	External Boot	Comments
132	NEC Express 5800: 120Li, 120Rg-1, 120Ri-2, 140Hf, 140Re-4	Microsoft Windows 2003 [x86] Enterprise Edition: R21, SP111; Microsoft Windows 2003 [x86] Standard Edition: R21, SP111	PCI-X	NEC N8190-120 (LP1050)3, 6, 18, 55, 56, 60, 61	FC-AL, FC-SW	Intel SSR212PPf	Y2, 27	See36
133	NEC Express 5800: 120Rf-1, 120Rh-2	Microsoft Windows 2003 [x86] Enterprise Edition: R21, SP111; Microsoft Windows 2003 [x86] Standard Edition: R21, SP111	PCI-X	NEC N8190-120 (LP1050)3, 6, 18, 55, 56, 60, 61	FC-AL, FC-SW	Intel SSR212PPf	Y2, 27	
134	Digital Henge INNO: HR-4850, HR-6850; LangChao: NC3000, NC3500, NF500, NF520; Samsung ZSS150	Microsoft Windows 2003 [x86] Enterprise Edition: R21, SP111; Microsoft Windows 2003 [x86] Standard Edition: R21, SP111	PCI-X	QLogic QLA2340-E-SP18, 19, 20, 21	FC-AL, FC-SW	Intel SSR212PPf	Y2, 27, 59	See23
135	Fujitsu Siemens Primergy RX200	Microsoft Windows 2003 [x86] Enterprise Edition: R21, SP111; Microsoft Windows 2003 [x86] Standard Edition: R21, SP111	PCI-X	QLogic QLA2340-E-SP18, 19, 94	FC-AL, FC-SW	Intel SSR212PPf	Y2, 27	See23
136	Digital Henge INNO: HR-4850, HR-6850; LangChao: NC3000, NC3500, NF500, NF520; Samsung ZSS150; Sun: x4100, x4200	Microsoft Windows 2003 [x86] Enterprise Edition: R21, SP111; Microsoft Windows 2003 [x86] Standard Edition: R21, SP111	PCI-X	QLogic QLA2460-E-SP4, 18, 20, 21, 22, 65	FC-AL, FC-SW	Intel SSR212PPf	Y2, 27, 59	See23
137	Sun: x4100, x4200	Microsoft Windows 2003 [x86] Enterprise Edition: R21, SP111; Microsoft Windows 2003 [x86] Standard Edition: R21, SP111	PCI-X	QLogic QLA2460-E-SP4, 18, 21, 22, 65	FC-AL, FC-SW	Intel SSR212PPf	Y2, 27	See23

138	Dell PowerEdge: 1600SC, 1650, 1750, 2600, 2650, 4600, 6600, 6650; Sun: x4100, x4200	Microsoft Windows 2003 [x86] Enterprise Edition: R21, SP111; Microsoft Windows 2003 [x86] Standard Edition: R21, SP111	PCI-X	QLogic QLA2460-E-SP4, 18, 21, 65, 106	FC-AL, FC-SW	Intel SSR212PPf	Y2, 27	See23
139	Digital Henge INNO SH4500; HPQ Proliant: BL40p, DL360(G3)34, DL360(G4)34, DL56034, DL74034, DL760(G2)34, DL76034, ML570(G2)34; IBM xSeries: x235, x255, x360, x365, x440; LangChao: NC2000, NF420; Lenovo: ShenTeng R630, SureServer R630 6003, SureServer R630 6004, SureServer T630 6003, SureServer T630 6004; Samsung: SS210, SS3400, SS3440; Sun: V20z, V40z, x4100, x4200	Microsoft Windows 2003 [x86] Enterprise Edition: R21, SP111; Microsoft Windows 2003 [x86] Standard Edition: R21, SP111	PCI-X	QLogic: QLA200-E-SP18, 30, 32, 76, 77, 78, QLA210-E-SP4, 30, 31, 32	FC-AL, FC-SW	Intel SSR212PPf	Y2, 27	See23
140	IBM xSeries x3850/x366 (8863)42	Microsoft Windows 2003 [x86] Enterprise Edition: R21, SP111; Microsoft Windows 2003 [x86] Standard Edition: R21, SP111	PCI-X	QLogic: QLA200-E-SP18, 30, 32, 76, 77, 78, QLA210-E-SP4, 30, 31, 32, QLA2340-E-SP18, 19, 20, 21	FC-AL, FC-SW	Intel SSR212PPf	Y2, 27, 41	See23
141	Dell PowerEdge: 1600SC, 1650, 1750, 2600, 2650, 2800, 2850, 4600, 6600, 6650, 6800, 6850	Microsoft Windows 2003 [x86] Enterprise Edition: R21, SP111; Microsoft Windows 2003 [x86] Standard Edition: R21, SP111	PCI-X	QLogic: QLA200-E-SP18, 30, 76, 79, QLA210-E-SP4, 30, 32, 35, QLA2340-E-SP9, 10, 18, 19	FC-AL, FC-SW	Intel SSR212PPf	Y2, 27	See23
142	Digital Henge INNO: HR-4850, HR-6850, SH4500; Digital Henge SH4500R4; HPQ Proliant: BL40p, DL360(G3)34, DL360(G4)34, DL56034, DL74034, DL760(G2)34, DL76034, ML570(G2)34; IBM xSeries: x235, x255, x360, x365, x440; LangChao: NC2000, NC3000, NC3500, NF420, NF500, NF520; Lenovo: ShenTeng R630, SureServer R630 6003, SureServer R630 6004, SureServer T630 6003, SureServer T630 6004; Samsung: SS210, SS3400, SS3440, SS370, SS3840, ZSS150; Sun: V20z, V40z, x4100, x4200	Microsoft Windows 2003 [x86] Enterprise Edition: R21, SP111; Microsoft Windows 2003 [x86] Standard Edition: R21, SP111	PCI-X	QLogic: QLA2340-E-SP18, 19, 20, 21, QLA2460-E-SP4, 18, 20, 21, 22, 65	FC-AL, FC-SW	Intel SSR212PPf	Y2, 27	See23

Microsoft Windows 2003 [x86]

No.	Host System	Operating System	Host Bus	Host Bus Adapter	Topology	Storage Array	External Boot	Comments
143	HPQ Proliant DL360(G4)34	Microsoft Windows 2003 [x86] Enterprise Edition: R21, SP111; Microsoft Windows 2003 [x86] Standard Edition: R21, SP111	PCI-X	QLogic: QLE220-E-SP4, 18, 24, 25, 26, QLE2360-E-SP18, 22, 62, 63, 64, QLE2460-E-SP4, 18, 20, 21, 22, 65	FC-AL, FC-SW	Intel SSR212PPf	Y2, 27, 41, Y2, 27, 59	See23
144	IBM xSeries x3800/x260 (8865)42	Microsoft Windows 2003 [x86] Enterprise Edition: R21, SP111; Microsoft Windows 2003 [x86] Standard Edition: R21, SP111	PCI-X105	Emulex: LP101-E3, 18, 49, 50, 60, LP1050-E3, 18, 50, 60, 61, 66, LP982-E3, 18, 50, 60, 61, 66	FC-AL, FC-SW	Intel SSR212PPf	Y2, 27, 41	See36
145	IBM xSeries: x3800/x260 (8865)42, x3950/x3950E/x460 (8872, 8874)42	Microsoft Windows 2003 [x86] Enterprise Edition: R21, SP111; Microsoft Windows 2003 [x86] Standard Edition: R21, SP111	PCI-X105	Emulex: LP101-E3, 18, 49, 50, 60, LP1050-E3, 18, 50, 60, 61, 66, LP982-E3, 18, 50, 60, 61, 66	FC-AL, FC-SW	Intel SSR212PPf	Y2, 27	See36
146	IBM xSeries x3800/x260 (8865)42	Microsoft Windows 2003 [x86] Enterprise Edition: R21, SP111; Microsoft Windows 2003 [x86] Standard Edition: R21, SP111	PCI-X105	IBM 19K1246 (QLA2310)18, 19, 20, 21, 22, 120	FC-AL, FC-SW	Intel SSR212PPf	Y2, 41	
147	IBM xSeries: x3800/x260 (8865)42, x3950/x3950E/x460 (8872, 8874)42	Microsoft Windows 2003 [x86] Enterprise Edition: R21, SP111; Microsoft Windows 2003 [x86] Standard Edition: R21, SP111	PCI-X105	IBM: 19K1246 (QLA2310)18, 19, 20, 21, 22, 120, 24P0960 (QLA2340)18, 19, 20, 21, 22, 103	FC-AL, FC-SW	Intel SSR212PPf	Y2	
148	IBM xSeries x3800/x260 (8865)42	Microsoft Windows 2003 [x86] Enterprise Edition: R21, SP111;	PCI-X105	QLogic QLA2340-E-SP18, 19, 20, 21	FC-AL, FC-SW	Intel SSR212PPf	Y2, 27, 41	See23

Intel® Storage System SSR212PP-Series

Microsoft Windows 2003 [x86]

		Microsoft Windows 2003 [x86] Standard Edition: R21 , SP111						
149	IBM xSeries: x3800/x260 (8865)42 , x3950/x3950E/x460 (8872, 8874)42	Microsoft Windows 2003 [x86] Enterprise Edition: R21, SP111; Microsoft Windows 2003 [x86] Standard Edition: R21 , SP111	PCI-X105	QLogic QLA2340-E-SP18, 19, 20, 21	FC-AL, FC-SW	Intel SSR212PPf	Y2, 27	See23
150	HPQ Proliant BL20p (G2)	Microsoft Windows 2003 [x86] Enterprise Edition: R21, SP111; Microsoft Windows 2003 [x86] Standard Edition: R21 , SP111	PCI-X48	HPQ Dual-port Fibre Channel Adapter for HP Proliant BL20p (G2) 300874-B2118, 20, 21, 22, 47	FC-AL, FC-SW	Intel SSR212PPf	Y2	
151	HPQ Proliant BL25p	Microsoft Windows 2003 [x86] Enterprise Edition: R21, SP111; Microsoft Windows 2003 [x86] Standard Edition: R21 , SP111	PCI-X48	HPQ Dual-port Fibre Channel Adapter for HP Proliant BL25p/BL45p 381881-B2118, 20, 21, 22, 102	FC-AL, FC-SW	Intel SSR212PPf	Y2	
152	HPQ Proliant BL30p	Microsoft Windows 2003 [x86] Enterprise Edition: R21, SP111; Microsoft Windows 2003 [x86] Standard Edition: R21 , SP111	PCI-X48	HPQ Dual-port Fibre Channel Adapter for HP Proliant BL30p/BL35p 354054-B219, 18, 47	FC-AL, FC-SW	Intel SSR212PPf	Y2	
153	HPQ Proliant BL20p: (G3), (G4)	Microsoft Windows 2003 [x86] Enterprise Edition: R21, SP111; Microsoft Windows 2003 [x86] Standard Edition: R21 , SP111	PCI-X48	HPQ: Dual-port Fibre Channel Adapter for HP Proliant BL20p (G3) 361426-B2118, 20, 21, 22, 47, Emulex-based BL20p (G3) Fibre Channel Mezzanine HBA - 394757-B213, 18, 49, 50, 51, 52	FC-AL, FC-SW	Intel SSR212PPf	Y2	
154	Digital Henge Revo: JS1400, JS2400	Microsoft Windows 2003 [x86] Enterprise Edition: R21, SP111; Microsoft Windows 2003 [x86] Standard Edition: R21 , SP111	PCI-X99	Emulex: LP101-E3, 18, 49, 50, 60, LP1050-E3, 18, 50, 60, 61, 66, LP1150-E3, 4, 18, 49, 50, 61, 75, LP982-E3, 18, 50, 60, 61, 66	FC-AL, FC-SW	Intel SSR212PPf	Y2, 27	See36
155	Digital Henge Revo: JS1400, JS2400	Microsoft Windows 2003 [x86] Enterprise Edition: R21, SP111; Microsoft Windows 2003 [x86] Standard Edition: R21 , SP111	PCI-X99	QLogic: QLA2340-E-SP18, 19, 20, 21, QLA2460-E-SP4, 18, 20, 21, 22, 65	FC-AL, FC-SW	Intel SSR212PPf	Y2, 27, Y2, 27, 59	See23
156	Dell PowerEdge 1955	Microsoft Windows 2003 [x86] Enterprise Edition: R21, SP111; Microsoft Windows 2003 [x86] Standard Edition: R21 , SP111	PCI, PCI Express, PCI-X	Dell: 2342M9, 10, 18, 19, LPe1105-M3, 4, 5, 6, 7, QME24624, 8, 9, 10	FC-AL, FC-SW	Intel SSR212PPf	Y2	

Microsoft Windows 2003 [x86]

No.	Host System	Operating System	Host Bus	Host Bus Adapter	Topology	Storage Array	External Boot	Comments
157	HPQ Proliant DL380(G4)34	Microsoft Windows 2003 [x86] Enterprise Edition: R21, SP111; Microsoft Windows 2003 [x86] Standard Edition: R21 , SP111	PCI, PCI Express, PCI-X	Emulex LP1050Ex-E3, 4, 18, 50, 60, 61, 66	FC-AL, FC-SW	Intel SSR212PPf	Y2, 27	See36
158	HPQ Proliant: DL380(G5), DL580(G4)	Microsoft Windows 2003 [x86] Enterprise Edition: R21, SP111; Microsoft Windows 2003 [x86] Standard Edition: R21 , SP111	PCI, PCI Express, PCI-X	Emulex LP1150-E3, 4, 18, 49, 50, 61, 75	FC-AL, FC-SW	Intel SSR212PPf	Y2, 27	See36
159	Fujitsu Siemens Primergy TX200 S3; HPQ Proliant DL380(G4)34	Microsoft Windows 2003 [x86] Enterprise Edition: R21, SP111; Microsoft Windows 2003 [x86] Standard Edition: R21 , SP111	PCI, PCI Express, PCI-X	Emulex LPe111-E3, 4, 6, 15, 18, 37	FC-AL, FC-SW	Intel SSR212PPf	Y2, 27	See36
160	Fujitsu Siemens Primergy TX200 S3	Microsoft Windows 2003 [x86] Enterprise Edition: R21, SP111; Microsoft Windows 2003 [x86] Standard Edition: R21 , SP111	PCI, PCI Express, PCI-X	Emulex LPe1150-E3, 4, 18, 49, 83	FC-AL, FC-SW	Intel SSR212PPf	Y2, 27	See36
161	HPQ Proliant: DL380(G4)34, DL380(G5), DL580(G4)	Microsoft Windows 2003 [x86] Enterprise Edition: R21, SP111;	PCI, PCI Express, PCI-X	Emulex LPe1150-E3, 4, 7, 18, 49, 50, 61	FC-AL, FC-SW	Intel SSR212PPf	Y2, 27	See36

		Microsoft Windows 2003 [x86] Standard Edition: R21 , SP111							
162	HPQ Proliant: DL380(G5), DL580(G4)	Microsoft Windows 2003 [x86] Enterprise Edition: R21, SP111; Microsoft Windows 2003 [x86] Standard Edition: R21 , SP111	PCI, PCI Express, PCI-X	Emulex LPe1150-E3, 4, 7, 18, 49, 50, 61	FC-AL, FC-SW	Intel SSR212PP f	Y2, 27, 59	See36	
163	Fujitsu Siemens Primergy TX200 S3	Microsoft Windows 2003 [x86] Enterprise Edition: R21, SP111; Microsoft Windows 2003 [x86] Standard Edition: R21 , SP111	PCI, PCI Express, PCI-X	Emulex: LPe111-E3, 4, 6, 15, 18, 37, LPe1150-E3, 4, 18, 49, 83	FC-AL, FC-SW	Intel SSR212PP f	Y2, 27, 59	See36	
164	HPQ Proliant: DL380(G5), DL580(G4)	Microsoft Windows 2003 [x86] Enterprise Edition: R21, SP111; Microsoft Windows 2003 [x86] Standard Edition: R21 , SP111	PCI, PCI Express, PCI-X	HPQ: A8002A/FC2142SR (LPe1150)3, 4, 7, 49, 50, 61, AD167A/FC2143 (LP1150)3, 4, 49, 50, 61, 112, AE311A/FC1142SR (QLE2460)4, 18, 20, 21, 65, 109	FC-AL, FC-SW	Intel SSR212PP f	Y2		
165	HPQ Proliant: DL380(G5), DL580(G4)	Microsoft Windows 2003 [x86] Enterprise Edition: R21, SP111; Microsoft Windows 2003 [x86] Standard Edition: R21 , SP111	PCI, PCI Express, PCI-X	HPQ: A8002A/FC2142SR (LPe1150)3, 4, 7, 49, 50, 61, AE311A/FC1142SR (QLE2460)4, 18, 20, 21, 65, 109	FC-AL, FC-SW	Intel SSR212PP f	Y2, 59		
166	HPQ Proliant: DL380(G5), DL580(G4)	Microsoft Windows 2003 [x86] Enterprise Edition: R21, SP111; Microsoft Windows 2003 [x86] Standard Edition: R21 , SP111	PCI, PCI Express, PCI-X	HPQ: AB429A/FC1143 (QLA2460)4, 18, 20, 65, AE369A/FC1243 (QLA2462)4, 18, 20, 65; QLogic QLA2460-E-SP4, 18, 20, 21, 22, 65	FC-AL, FC-SW	Intel SSR212PP f	Y2, 27	See23	
167	HPQ Proliant DL580(G3)34	Microsoft Windows 2003 [x86] Enterprise Edition: R21, SP111; Microsoft Windows 2003 [x86] Standard Edition: R21 , SP111	PCI, PCI Express, PCI-X	QLogic QLE220-E-SP4, 18, 24, 25, 26	FC-AL, FC-SW	Intel SSR212PP f	Y2, 27	See23	
168	HPQ Proliant: DL380(G4)34, DL580(G3)34	Microsoft Windows 2003 [x86] Enterprise Edition: R21, SP111; Microsoft Windows 2003 [x86] Standard Edition: R21 , SP111	PCI, PCI Express, PCI-X	QLogic QLE2360-E-SP18, 22, 62, 63, 64	FC-AL, FC-SW	Intel SSR212PP f	Y2, 27	See23	
169	HPQ Proliant: DL380(G4)34, DL380(G5), DL580(G3)34, DL580(G4)	Microsoft Windows 2003 [x86] Enterprise Edition: R21, SP111; Microsoft Windows 2003 [x86] Standard Edition: R21 , SP111	PCI, PCI Express, PCI-X	QLogic QLE2460-E-SP4, 18, 20, 21, 22, 65	FC-AL, FC-SW	Intel SSR212PP f	Y2, 27	See23	
170	HPQ Proliant: DL380(G5), DL580(G3)34 , DL580(G4)	Microsoft Windows 2003 [x86] Enterprise Edition: R21, SP111; Microsoft Windows 2003 [x86] Standard Edition: R21 , SP111	PCI, PCI Express, PCI-X	QLogic QLE2460-E-SP4, 18, 20, 21, 22, 65	FC-AL, FC-SW	Intel SSR212PP f	Y2, 27, 41, Y2, 27, 59	See23	

Microsoft Windows 2003 [x86]

No.	Host System	Operating System	Host Bus	Host Bus Adapter	Topology	Storage Array	External Boot	Comments
171	HPQ Proliant DL580(G3)34	Microsoft Windows 2003 [x86] Enterprise Edition: R21, SP111; Microsoft Windows 2003 [x86] Standard Edition: R21 , SP111	PCI, PCI Express, PCI-X	QLogic: QLE220-E-SP4, 18, 24, 25, 26, QLE2360-E-SP18, 22, 62, 63, 64	FC-AL, FC-SW	Intel SSR212PP f	Y2, 27, 41, Y2, 27, 59	See23
172	Fujitsu Siemens Primergy: RX600, TX600	Microsoft Windows 2003 [x86] Enterprise Edition: R21, SP111; Microsoft Windows 2003 [x86] Standard Edition: R21 , SP111	PCI, PCI-X	Emulex LP1050-E3, 18, 66, 100	FC-AL, FC-SW	Intel SSR212PP f	Y2, 27	See36
173	HPQ Proliant: DL14534, DL380(G2)34 , DL380(G3)34, DL380(G4)34, DL38034 , DL38534, DL580(G2)34, DL580(G3)34 , DL58534, ML350(G3)34, ML370(G3)34 , ML370(G4)34; IBM: eServer 325 (Model 8835), xSeries x345 (8670), xSeries x445 (8870); Samsung SS140	Microsoft Windows 2003 [x86] Enterprise Edition: R21, SP111; Microsoft Windows 2003 [x86] Standard Edition: R21 , SP111	PCI, PCI-X	Emulex: LP101-E3, 18, 49, 50, 60, LP1050-E3, 18, 50, 60, 61, 66, LP1150-E3, 4, 18, 49, 50, 61, 75, LP982-E3, 18, 50, 60, 61, 66	FC-AL, FC-SW	Intel SSR212PP f	Y2, 27	See36
174	Dell PowerEdge: 1800, 1850	Microsoft Windows 2003 [x86] Enterprise Edition: R21, SP111; Microsoft Windows 2003 [x86] Standard Edition: R21 , SP111	PCI, PCI-X	Emulex: LP101-E3, 6, 18, 56, 60, LP1050-E3, 6, 18, 60, 61, 66, LP982-E3, 6, 18, 60, 61, 66	FC-AL, FC-SW	Intel SSR212PP f	Y2, 27	See36

Intel® Storage System SSR212PP-Series

Microsoft Windows 2003 [x86]

175	HPQ Proliant: DL14534, DL380(G2)34 , DL380(G3)34, DL380(G4)34, DL38034 , DL38534, DL580(G2)34, DL58534 , ML350(G3)34, ML370(G3)34, ML370(G4)34	Microsoft Windows 2003 [x86] Enterprise Edition: R21, SP111; Microsoft Windows 2003 [x86] Standard Edition: R21 , SP111	PCI, PCI-X	HPQ: A7298A (LP982)3, 18, 49, 50, 60, 61, A7388A (LP1050)3, 18, 49, 50, 60, 61, AD167A/FC2143 (LP1150)3, 4, 49, 50, 61, 112, FCA2214 (QLA2340)18, 19, 20, 21, 22, FCA2408 (LP982)3, 4, 18, 49, 50, 60, 61	FC-AL, FC-SW	Intel SSR212PP f	Y2	
176	HPQ Proliant: DL380(G4)34, DL38534 , DL58534, ML370(G4)34	Microsoft Windows 2003 [x86] Enterprise Edition: R21, SP111; Microsoft Windows 2003 [x86] Standard Edition: R21 , SP111	PCI, PCI-X	HPQ: AB429A/FC1143 (QLA2460)4, 18, 20, 65, AE369A/FC1243 (QLA2462)4, 18, 20, 65	FC-AL, FC-SW	Intel SSR212PP f	Y2, 27	See23
177	IBM: eServer 325 (Model 8835), xSeries x345 (8670), xSeries x445 (8870)	Microsoft Windows 2003 [x86] Enterprise Edition: R21, SP111; Microsoft Windows 2003 [x86] Standard Edition: R21 , SP111	PCI, PCI-X	IBM 19K1246 (QLA2310)18, 19, 20, 21, 22, 120	FC-AL, FC-SW	Intel SSR212PP f	Y2	
178	IBM xSeries: x345 (8670), x445 (8870)	Microsoft Windows 2003 [x86] Enterprise Edition: R21, SP111; Microsoft Windows 2003 [x86] Standard Edition: R21 , SP111	PCI, PCI-X	IBM 24P0960 (QLA2340)18, 19, 20, 21, 22, 103	FC-AL, FC-SW	Intel SSR212PP f	Y2	
179	IBM: eServer 325 (Model 8835), xSeries x345 (8670), xSeries x445 (8870)	Microsoft Windows 2003 [x86] Enterprise Edition: R21, SP111; Microsoft Windows 2003 [x86] Standard Edition: R21 , SP111	PCI, PCI-X	IBM: 39M5894 (QLA2460)4, 18, 22, 65, 74, 39M5895 (QLA2462)4, 18, 22, 65, 74	FC-AL, FC-SW	Intel SSR212PP f	Y2, 27	See23
180	Fujitsu Siemens Primergy: RX600, RX800, TX600	Microsoft Windows 2003 [x86] Enterprise Edition: R21, SP111; Microsoft Windows 2003 [x86] Standard Edition: R21 , SP111	PCI, PCI-X	QLogic QLA2340-E-SP18, 19, 94	FC-AL, FC-SW	Intel SSR212PP f	Y2, 27	See23
181	HPQ Proliant: DL14534, DL380(G2)34 , DL380(G3)34, DL380(G4)34, DL38034 , DL38534, DL580(G2)34, DL580(G3)34 , DL58534, ML350(G3)34, ML370(G3)34 , ML370(G4)34; IBM: eServer 325 (Model 8835), xSeries x345 (8670), xSeries x445 (8870); Samsung SS140	Microsoft Windows 2003 [x86] Enterprise Edition: R21, SP111; Microsoft Windows 2003 [x86] Standard Edition: R21 , SP111	PCI, PCI-X	QLogic: QLA200-E-SP18, 30, 32, 76, 77, 78, QLA210-E-SP4, 30, 31, 32, QLA2340-E-SP18, 19, 20, 21, QLA2460-E-SP4, 18, 20, 21, 22, 65	FC-AL, FC-SW	Intel SSR212PP f	Y2, 27	See23
182	Dell PowerEdge: 1800, 1850	Microsoft Windows 2003 [x86] Enterprise Edition: R21, SP111; Microsoft Windows 2003 [x86] Standard Edition: R21 , SP111	PCI, PCI-X	QLogic: QLA200-E-SP18, 30, 76, 79, QLA210-E-SP4, 30, 32, 35, QLA2340-E-SP9, 10, 18, 19	FC-AL, FC-SW	Intel SSR212PP f	Y2, 27	See23
183	Unisys ES7000/460 [32-Bit]	Microsoft Windows 2003 [x86] Enterprise Edition: R21, SP111; Microsoft Windows 2003 [x86] Standard Edition: R21 , SP111	PCI, PCI-X	Unisys FCH752313-PCX (LP1050)3, 100, 130	FC-AL, FC-SW	Intel SSR212PP f	Y2	

Microsoft Windows 2003 [x86]

No.	Host System	Operating System	Host Bus	Host Bus Adapter	Topology	Storage Array	External Boot	Comments
184	Sun: x4100, x4200	Microsoft Windows 2003 [x86] Enterprise Edition: R21, SP111; Microsoft Windows 2003 [x86] Standard Edition: R21 , SP111; Microsoft Windows 2003 [x86] Storage Server: Enterprise Edition R2, R2	PCI-X	Emulex LP1150-E3, 4, 18, 49, 61, 75	FC-AL, FC-SW	Intel SSR212PP f	Y2, 27	See36
185	Fujitsu Siemens Primergy: RX200, RX300, TX200, TX300	Microsoft Windows 2003 [x86] Enterprise Edition: R21, SP111; Microsoft Windows 2003 [x86] Standard Edition: R21 , SP111; Microsoft Windows 2003 [x86] Storage: Server, Server Enterprise Edition, Server Enterprise Edition R2, Server Enterprise Edition SP1, Server R2, Server SP1	PCI-X	Emulex LP1050-E3, 18, 66, 100	FC-AL, FC-SW	Intel SSR212PP f	Y2, 27	See36
186	HPQ Proliant BL45p	Microsoft Windows 2003 [x86] Enterprise Edition: R21, SP111;	PCI-X	HPQ Emulex-based BL25/30/35/45p Fibre Channel Mezzanine HBA - 394588-B213, 18, 51, 52, 66	FC-AL, FC-SW	Intel SSR212PP f	Y2	

		Microsoft Windows 2003 [x86]: Enterprise Edition12, Standard Edition R21, Standard Edition SP111, Standard Edition12							
187	HPQ Proliant: BL25p, BL30p	Microsoft Windows 2003 [x86] Enterprise Edition: R21, SP111; Microsoft Windows 2003 [x86]: Enterprise Edition12, Standard Edition R21, Standard Edition SP111, Standard Edition12	PCI-X48	HPQ Emulex-based BL25/30/35/45p Fibre Channel Mezzanine HBA - 394588-B213, 18, 51, 52, 66	FC-AL, FC-SW	Intel SSR212PPf	Y2		
188	NEC Express 5800: 320Mc-R, 340Hb-R	Microsoft Windows 2003 [x86] Enterprise Edition12	PCI	NEC N8803-031 (QLA2310F)14, 18, 19, 22, 28, 80	FC-AL, FC-SW	Intel SSR212PPf	Y2		
189	NEC Express 5800: 320La-R116, 320La116, 320Lb-R116, 117, 320Lb2-R, 320Lb116, 117, 320Lc, 320Lc-R, 330Ma-R116, 330Mb-R116, 118, 119, 340Ha-R116, 118, 119	Microsoft Windows 2003 [x86] Enterprise Edition12	PCI	NEC N8803-031 (QLA2310F)14, 18, 19, 22, 28, 80, 115	FC-AL, FC-SW	Intel SSR212PPf	Y2		
190	NEC Express 5800: 320Lb2-R, 320Lc, 320Lc-R	Microsoft Windows 2003 [x86] Enterprise Edition12	PCI	QLogic QLA2310F-E-SP14, 18, 19, 22, 28, 80	FC-AL, FC-SW	Intel SSR212PPf	Y2, 27	See23	
191	Unisys: EA1400, FS1300, FS1400, Libra Model 300	Microsoft Windows 2003 [x86] Enterprise Edition12	PCI	Unisys FCH752313-PCX (LP1050)3, 133	FC-AL, FC-SW	Intel SSR212PPf	Y2		
192	Unisys: FS1300, Libra Model 300	Microsoft Windows 2003 [x86] Enterprise Edition12	PCI	Unisys FCH752313-PCX (LP1050)3, 100, 123, 132	FC-AL, FC-SW	Intel SSR212PPf	Y2		
193	Unisys: ES7000/510, ES7000/520, ES7000/530, ES7000/540, ES7000/550, ES7000/560 [32-Bit]	Microsoft Windows 2003 [x86] Enterprise Edition12	PCI	Unisys FCH752313-PCX (LP1050)3, 100, 131	FC-AL, FC-SW	Intel SSR212PPf	Y2		
194	HPQ Proliant: BL460c (404664-B21), BL465c (403433-B21), BL465c (403434-B21), BL465c (407234-B21), BL465c (407235-B21), BL480c (404704-B21)	Microsoft Windows 2003 [x86] Enterprise: Edition, Edition R21, Edition SP1	PCI Express	HPQ Emulex LPe1105-HP 4Gb FC HBA for HP c-Class Bladesystem (403621-B21)3, 15, 16	FC-AL, FC-SW	Intel SSR212PPf	Y		
195	HPQ Proliant BL460c: (416653-B21), (416654-B21), (416655-B21), (416656-B21), (432636-B21); HPQ Proliant BL480c: (416666-B21), (416667-B21), (416668-B21), (416669-B21)	Microsoft Windows 2003 [x86] Enterprise: Edition, Edition R21, Edition SP1; Microsoft Windows 2003 [x86] Standard: Edition, Edition R21, Edition SP1	PCI-X	HPQ Emulex LPe1105-HP 4Gb FC HBA for HP c-Class Bladesystem (403621-B21)3, 15, 16	FC-AL, FC-SW	Intel SSR212PPf	Y		
196	Stratus ftServer 230043	Microsoft Windows 2003 [x86] Standard Edition	PCI	QLogic: QLA200-E-SP18, 30, 39, 77, 78, QLA210-E-SP4, 30, 31, 39	FC-AL, FC-SW	Intel SSR212PPf	N	See23	
197	HPQ Proliant BL465c: (403433-B21), (403434-B21), (407234-B21), (407235-B21); HPQ Proliant BL480c (404704-B21)	Microsoft Windows 2003 [x86] Standard Edition	PCI Express	HPQ QLogic QMH2462 4Gb FC HBA for HP c-Class Bladesystem (403619-B21)29, 71, 72	FC-AL, FC-SW	Intel SSR212PPf	Y		
198	Stratus ftServer 230043	Microsoft Windows 2003 [x86] Standard Edition SP1	PCI	QLogic: QLA200-E-SP18, 30, 44, 77, 78, QLA210-E-SP4, 30, 31, 44	FC-AL, FC-SW	Intel SSR212PPf	N	See23	
199	NEC Express 5800: 320La-R116, 320La116, 320Lb-R116, 117, 320Lb2-R, 320Lb116, 117, 330Ma-R116, 330Mb-R116, 118, 119, 340Ha-R116, 118, 119	Microsoft Windows 2003 [x86] Standard Edition: R21, SP111	PCI	NEC N8803-031 (QLA2310F)9, 18, 19, 22, 80, 82, 115	FC-AL, FC-SW	Intel SSR212PPf	Y2		
200	NEC Express 5800 320Lb2-R	Microsoft Windows 2003 [x86] Standard Edition: R21, SP111	PCI	QLogic QLA2310F-E-SP9, 18, 19, 22, 80, 82	FC-AL, FC-SW	Intel SSR212PPf	Y2, 27	See23	
201	Unisys: ES7000/510, ES7000/520, ES7000/530, ES7000/540	Microsoft Windows 2003 [x86] Standard Edition: R21, SP111	PCI	Unisys FCH752313-PCX (LP1050)3, 100, 130	FC-AL, FC-SW	Intel SSR212PPf	Y2		

Microsoft Windows 2003 [x86]

No.	Host System	Operating System	Host Bus	Host Bus Adapter	Topology	Storage Array	External Boot	Comments
202	NEC Express 5800: 320La-R116, 320La116, 320Lb-R116, 117, 320Lb2-R, 320Lb116, 117, 330Ma-R116, 330Mb-R116, 118, 119, 340Ha-R116, 118, 119	Microsoft Windows 2003 [x86] Standard Edition12	PCI	NEC N8803-031 (QLA2310F)14, 18, 19, 22, 28, 80, 115	FC-AL, FC-SW	Intel SSR212PPf	Y2	
203	NEC Express 5800 320Lb2-R	Microsoft Windows 2003 [x86] Standard Edition12	PCI	QLogic QLA2310F-E-SP14, 18, 19, 22, 28, 80	FC-AL, FC-SW	Intel SSR212PPf	Y2, 27	See23
204	Unisys: ES7000/510, ES7000/520, ES7000/530, ES7000/540	Microsoft Windows 2003 [x86] Standard Edition12	PCI	Unisys FCH752313-PCX (LP1050)3, 100, 131	FC-AL, FC-SW	Intel SSR212PPf	Y2	
205	HPQ Proliant BL465c: (403433-B21), (403434-B21), (407234-B21), (407235-B21); HPQ Proliant BL480c (404704-B21)	Microsoft Windows 2003 [x86] Standard: Edition, Edition R21, Edition SP1	PCI Express	HPQ: Emulex LPe1105-HP 4Gb FC HBA for HP c-Class Bladesystem (403621-B21)3, 15, 16, QLogic QMH2462 4Gb FC HBA for HP c-Class Bladesystem (403619-B21)26, 71, 72	FC-AL, FC-SW	Intel SSR212PPf	Y	
206	Sun: x4100, x4200	Microsoft Windows	PCI-X	Emulex LP1150-E3, 4, 18, 49, 61,	FC-AL,	Intel	Y27	See36

		2003 [x86] Storage Server: Enterprise Edition R2, R2		75	FC-SW	SSR212PP f		
207	Sun: x4100, x4200	Microsoft Windows 2003 [x86] Storage Server: Enterprise Edition R2, R2	PCI-X	QLLogic QLA2460-E-SP4, 18, 21, 65, 111	FC-AL, FC-SW	Intel SSR212PP f	Y2, 27, Y27	See23
208	Dell PowerVault: 750N, 755N40, 770N, 775N	Microsoft Windows 2003 [x86] Storage Server: Enterprise Edition SP1, SP1	PCI	Emulex: LP1050-E3, 6, 18, 60, 61, 113, LP1150-E3, 4, 6, 18, 56, 61, 75	FC-AL, FC-SW	Intel SSR212PP f	N	See36
209	Dell PowerVault: 750N, 755N40, 770N, 775N	Microsoft Windows 2003 [x86] Storage: Server, Server Enterprise Edition	PCI	Emulex: LP1050-E3, 18, 60, 61, 66, LP1150-E3, 4, 18, 49, 61, 75	FC-AL, FC-SW	Intel SSR212PP f	N	See36
210	Sun: x4100, x4200	Microsoft Windows 2003 [x86] Storage: Server, Server Enterprise Edition, Server Enterprise Edition R2, Server Enterprise Edition SP1, Server R2, Server SP1	PCI-X	Emulex LP1150-E3, 4, 18, 49, 50, 61, 75	FC-AL, FC-SW	Intel SSR212PP f	Y2, 27, Y27	See36
211	Sun: x4100, x4200	Microsoft Windows 2003 [x86] Storage: Server, Server Enterprise Edition, Server Enterprise Edition R2, Server Enterprise Edition SP1, Server R2, Server SP1	PCI-X	QLLogic QLA2460-E-SP4, 18, 20, 21, 22, 65	FC-AL, FC-SW	Intel SSR212PP f	Y2, 27, Y27	See23
212	Fujitsu Siemens Primergy: RX200, RX300, TX200, TX300	Microsoft Windows 2003 [x86] Storage: Server, Server Enterprise Edition, Server Enterprise Edition R2, Server Enterprise Edition SP1, Server R2, Server SP1	PCI-X	QLLogic: QLA200-E-SP18, 30, 32, 76, 77, 78, QLA200-E-SP4, 18, 30, 32, 76, 77, 78, QLA210-E-SP4, 30, 31, 32	FC-AL, FC-SW	Intel SSR212PP f	Y2, 27	See23
213	Fujitsu Siemens FibreCAT N40i	Microsoft Windows 2003 [x86] Storage: Server, Server Enterprise Edition, Server Enterprise Edition R2, Server Enterprise Edition SP1, Server R2, Server SP1	PCI, PCI-X	Emulex LP1050-E3, 18, 50, 60, 61, 66, 108	FC-AL, FC-SW	Intel SSR212PP f	Y2, 27	See36
214	Fujitsu Siemens Primergy: RX600, RX800, TX600	Microsoft Windows 2003 [x86] Storage: Server, Server Enterprise Edition, Server Enterprise Edition R2, Server Enterprise Edition SP1, Server R2, Server SP1	PCI, PCI-X	Emulex LP1050-E3, 18, 66, 100	FC-AL, FC-SW	Intel SSR212PP f	Y2, 27	See36
215	HPQ Proliant: DL380 Storage Server34 , DL580 Storage Server34, DL585 Storage Server34	Microsoft Windows 2003 [x86] Storage: Server, Server Enterprise Edition, Server Enterprise Edition R2, Server Enterprise Edition SP1, Server R2, Server SP1	PCI, PCI-X	Emulex: LP101-E3, 18, 49, 50, 60, LP1050-E3, 18, 50, 60, 61, 66, LP1150-E3, 4, 18, 49, 50, 61, 75, LP982-E3, 18, 50, 60, 61, 66	FC-AL, FC-SW	Intel SSR212PP f	Y2, 27, Y27	See36
216	HPQ Proliant: DL380 Storage Server34 , DL580 Storage Server34, DL585 Storage Server34	Microsoft Windows 2003 [x86] Storage: Server, Server Enterprise Edition, Server Enterprise Edition R2, Server Enterprise Edition SP1, Server R2, Server SP1	PCI, PCI-X	HPQ: A7298A (LP982)3, 18, 49, 50, 60, 61, A7388A (LP1050)3, 18, 49, 50, 60, 61, AD167A/FC2143 (LP1150)3, 4, 49, 50, 61, 112, FCA2214 (QLA2340)18, 19, 20, 21, 22, FCA2408 (LP982)3, 4, 18, 49, 50, 60, 61	FC-AL, FC-SW	Intel SSR212PP f	Y, Y2	

217	Fujitsu Siemens Primergy: RX600, RX800, TX600	Microsoft Windows 2003 [x86] Storage: Server, Server Enterprise Edition, Server Enterprise Edition R2, Server Enterprise Edition SP1, Server R2, Server SP1	PCI, PCI-X	QLogic: QLA200-E-SP18, 30, 32, 76, 77, 78, QLA200-E-SP4, 18, 30, 32, 76, 77, 78, QLA210-E-SP4, 30, 31, 32	FC-AL, FC-SW	Intel SSR212PPf	Y2, 27	See23
218	HPQ Proliant: DL380 Storage Server34, DL580 Storage Server34, DL585 Storage Server34	Microsoft Windows 2003 [x86] Storage: Server, Server Enterprise Edition, Server Enterprise Edition R2, Server Enterprise Edition SP1, Server R2, Server SP1	PCI, PCI-X	QLogic: QLA200-E-SP18, 30, 32, 76, 77, 78, QLA210-E-SP4, 30, 31, 32, QLA2340-E-SP18, 19, 20, 21, QLA2460-E-SP4, 18, 20, 21, 22, 65	FC-AL, FC-SW	Intel SSR212PPf	Y27	See23
219	HPQ Proliant: DL380 Storage Server34, DL580 Storage Server34, DL585 Storage Server34	Microsoft Windows 2003 [x86] Storage: Server, Server Enterprise Edition, Server Enterprise Edition R2, Server Enterprise Edition SP1, Server R2, Server SP1	PCI, PCI-X	QLogic: QLA2340-E-SP18, 19, 20, 21, QLA2460-E-SP4, 18, 20, 21, 22, 65	FC-AL, FC-SW	Intel SSR212PPf	Y2, 27	See23

Microsoft Windows 2003 [x86]

No.	Host System	Operating System	Host Bus	Host Bus Adapter	Topology	Storage Array	External Boot	Comments
220	Sun: x4100, x4200	Microsoft Windows 2003 [x86] Storage: Server, Server Enterprise Edition, Server Enterprise Edition SP1, Server SP1	PCI-X	Emulex LP1150-E3, 4, 18, 49, 61, 75	FC-AL, FC-SW	Intel SSR212PPf	N	See36
221	Dell PowerVault 745N	Microsoft Windows 2003 [x86] Storage: Server, Server Enterprise Edition, Server Enterprise Edition SP1, Server SP1	PCI, PCI-X	QLogic: QLA200-E-SP4, 18, 30, 76, 79, QLA210-E-SP4, 30, 32, 35	FC-AL, FC-SW	Intel SSR212PPf	N	See23
222	Unisys ES7000/600	Microsoft Windows 2003 [x86]: DataCenter R21, Enterprise Edition R21, Standard Edition R21	PCI, PCI-X	Unisys FCH752313-PCX (LP1050)3, 60, 134, 137	FC-AL, FC-SW	Intel SSR212PPf	N	
223	Unisys Libra Model 520	Microsoft Windows 2003 [x86]: DataCenter12, Enterprise Edition12	PCI	Unisys FCH752313-PCX (LP1050)3, 108, 133	FC-AL, FC-SW	Intel SSR212PPf	Y2	
224	Unisys: EA1400, FS1400	Microsoft Windows 2003 [x86]: DataCenter12, Enterprise Edition12	PCI	Unisys FCH752313-PCX (LP1050)3, 123, 132	FC-AL, FC-SW	Intel SSR212PPf	Y2	
225	Unisys ES7000/one [Xeon]	Microsoft Windows 2003 [x86]: Enterprise Edition R21, Standard Edition R21	PCI-X	Unisys FCH752313-PCX: (LP1050)3, 6, 60, 121, 123, 141, (LP1050)3, 6, 60, 121, 141	FC-AL, FC-SW	Intel SSR212PPf	Y	
226	Dell PowerEdge 1950	Microsoft Windows 2003 [x86]: Enterprise Edition SP1, Standard Edition SP1	PCI Express	QLogic QLA200-E-SP18, 30, 32, 76, 77, 78	FC-AL, FC-SW	Intel SSR212PPf	N	See23
227	IBM xSeries: x3550 (7978), x3650 (7979)	Microsoft Windows 2003 [x86]: Enterprise Edition SP1, Standard Edition SP1	PCI Express, PCI-X	IBM 24P8053 (QLA2342)4, 18, 19, 20, 21	FC-AL, FC-SW	Intel SSR212PPf	N	See23
228	Dell PowerEdge: 1900, 2900, 2950, 6950; Digital Henge Revo: AS1500, AS1550, AS2500; IBM xSeries: x3550 (7978), x3650 (7979), x3755 (8877); Intel: SR1500/S5000PAL, SR2500/S5000PAL; Samsung ZSS132	Microsoft Windows 2003 [x86]: Enterprise Edition SP1, Standard Edition SP1	PCI Express, PCI-X	QLogic QLA200-E-SP18, 30, 32, 76, 77, 78	FC-AL, FC-SW	Intel SSR212PPf	N	See23
229	Unisys ES7000/600	Microsoft Windows 2003 [x86]: Enterprise Edition SP111, Standard Edition SP111	PCI, PCI-X	Unisys FCH752313-PCX: (LP1050)3, 60, 134, 135, (LP1050)3, 60, 134, 136	FC-AL, FC-SW	Intel SSR212PPf	Y2	

Intel® Storage System SSR212PP-Series

Microsoft Windows 2003 [x86]

230	Unisys: ES3220, ES3220L	Microsoft Windows 2003 [x86]: Enterprise Edition SP111, Standard Edition SP111	PCI, PCI-X	Unisys FCH752313-PCX: (LP1050)3, (LP1050)3, 60	FC-AL, FC-SW	Intel SSR212PPf	N	
231	Dell PowerEdge 1950	Microsoft Windows 2003 [x86]: Enterprise Edition, Standard Edition	PCI Express	QLogic QLA200-E-SP18, 30, 33, 39, 77, 78	FC-AL, FC-SW	Intel SSR212PPf	N	See23
232	IBM xSeries: x3550 (7978), x3650 (7979)	Microsoft Windows 2003 [x86]: Enterprise Edition, Standard Edition	PCI Express, PCI-X	IBM 24P8053 (QLA2342)4, 14, 18, 19, 28	FC-AL, FC-SW	Intel SSR212PPf	N	See23
233	Dell PowerEdge: 1900, 2900, 2950, 6950; Digital Henge Revo: AS1500, AS1550, AS2500; IBM xSeries: x3550 (7978), x3650 (7979), x3755 (8877); Intel: SR1500/S5000PAL, SR2500/S5000PAL; Samsung ZSS132	Microsoft Windows 2003 [x86]: Enterprise Edition, Standard Edition	PCI Express, PCI-X	QLogic QLA200-E-SP18, 30, 33, 39, 77, 78	FC-AL, FC-SW	Intel SSR212PPf	N	See23
234	HPQ Proliant BL460c: (416653-B21), (416654-B21), (416655-B21), (416656-B21), (432636-B21); HPQ Proliant BL480c: (416666-B21), (416667-B21), (416668-B21), (416669-B21)	Microsoft Windows 2003 [x86]: Enterprise Edition, Standard Edition	PCI-X	HPQ QLogic QMH2462 4Gb FC HBA for HP c-Class Bladesystem (403619-B21)29, 71, 72	FC-AL, FC-SW	Intel SSR212PPf	Y	
235	HPQ Proliant: DL32034, DL360(G2)34, DL36034, DL58034, ML350(G2)34, ML35034, ML370(G2)34, ML37034, ML530(G2)34, ML530(G3)34, ML53034, ML57034, ML75034; IBM xSeries: x225, x230, x232, x240, x250, x330, x335, x340 (4500R), x342, x350 (6000R), x370	Microsoft Windows 2003 [x86]: Enterprise Edition12, Standard Edition12	PCI	Emulex LP101-E3, 13, 18, 53, 60	FC-AL, FC-SW	Intel SSR212PPf	Y2, 27	See36
236	HPQ Proliant: DL32034, DL360(G2)34, DL36034, DL58034, ML350(G2)34, ML35034, ML370(G2)34, ML37034, ML530(G2)34, ML530(G3)34, ML53034, ML57034, ML75034; IBM xSeries: x225, x230, x232, x240, x250, x330, x335, x342, x350 (6000R), x370	Microsoft Windows 2003 [x86]: Enterprise Edition12, Standard Edition12	PCI	Emulex LP982-E3, 13, 18, 58, 60, 61	FC-AL, FC-SW	Intel SSR212PPf	Y2, 27	See36
237	Dell PowerEdge: 1550, 2300, 2400, 2450, 2500, 255040, 4300, 4350, 4400, 6100, 6300, 6350, 6400, 6450, 8450	Microsoft Windows 2003 [x86]: Enterprise Edition12, Standard Edition12	PCI	Emulex: LP101-E3, 18, 53, 60, LP982-E3, 18, 58, 60, 61	FC-AL, FC-SW	Intel SSR212PPf	Y2, 27	See36
Microsoft Windows 2003 [x86]								
No.	Host System	Operating System	Host Bus	Host Bus Adapter	Topology	Storage Array	External Boot	Comments
238	HPQ Proliant: 850034, DL32034, DL360(G2)34, DL36034, DL380(G2)34, DL380(G3)34, DL38034, DL58034, ML350(G2)34, ML35034, ML370(G2)34, ML37034, ML530(G2)34, ML530(G3)34, ML53034, ML57034, ML75034; IBM xSeries: x225, x230, x232, x240, x250, x330, x335, x340 (4500R), x342, x350 (6000R), x370	Microsoft Windows 2003 [x86]: Enterprise Edition12, Standard Edition12	PCI	Emulex: LP1050-E3, 13, 18, 53, 60, 61, LP1150-E3, 4, 13, 18, 53, 61, 75	FC-AL, FC-SW	Intel SSR212PPf	Y2, 27	See36
239	Dell PowerEdge: 1550, 2450, 2500, 255040, 4400, 6350, 6400, 645097, 8450	Microsoft Windows 2003 [x86]: Enterprise Edition12, Standard Edition12	PCI	Emulex: LP1050-E3, 18, 53, 60, 61, LP1150-E3, 4, 18, 53, 61, 75	FC-AL, FC-SW	Intel SSR212PPf	Y2, 27	See36
240	Fujitsu Siemens Primergy: BX60098, BX620 S2F104, BX620 S2104, BX620 S3, BX620104, BX630 (2-way), BX630 (4-way), BX630 (8-way), BX660104	Microsoft Windows 2003 [x86]: Enterprise Edition12, Standard Edition12	PCI	Fujitsu Siemens BX600-FC22Q4, 18, 19, 95, 96	FC-AL, FC-SW	Intel SSR212PPf	Y2	
241	HPQ Proliant: DL32034, DL360(G2)34, DL36034, DL380(G2)34, DL380(G3)34, DL38034, DL58034, ML350(G2)34, ML35034, ML370(G2)34, ML37034, ML530(G2)34, ML53034, ML57034, ML75034	Microsoft Windows 2003 [x86]: Enterprise Edition12, Standard Edition12	PCI	HPQ: A7298A (LP982)3, 13, 18, 53, 60, 61, A7388A (LP1050)3, 13, 18, 53, 60, 61, AD167A/FC2143 (LP1150)3, 4, 13, 53, 61, 112, FCA2214 (QLA2340)14, 18, 19, 22, 28, FCA2408 (LP982)3, 4, 13, 18, 53, 60, 61	FC-AL, FC-SW	Intel SSR212PPf	Y2	
242	IBM xSeries: x225, x230, x232, x240, x250, x330, x335, x340 (4500R), x342, x350 (6000R), x370	Microsoft Windows 2003 [x86]: Enterprise Edition12, Standard Edition12	PCI	IBM 19K1246 (QLA2310)14, 18, 19, 22, 28, 120	FC-AL, FC-SW	Intel SSR212PPf	Y2	
243	IBM xSeries: x230, x240, x250, x330, x335, x340 (4500R), x342, x350 (6000R), x370	Microsoft Windows 2003 [x86]: Enterprise Edition12, Standard Edition12	PCI	IBM 24P0960 (QLA2340)14, 18, 19, 22, 28, 103	FC-AL, FC-SW	Intel SSR212PPf	Y2	
244	IBM xSeries: x225, x230, x232, x240, x250, x330, x335, x340 (4500R), x342, x350 (6000R), x370	Microsoft Windows 2003 [x86]: Enterprise Edition12, Standard Edition12	PCI	IBM: 39M5894 (QLA2460)4, 18, 22, 65, 73, 39M5895 (QLA2462)4, 18, 22, 65, 73	FC-AL, FC-SW	Intel SSR212PPf	Y2, 27	See23
245	NEC Express 5800: 120Rd-1, 120Rf-2, 140Hd, 140Rc-4, 180Rd-4	Microsoft Windows 2003 [x86]: Enterprise Edition12, Standard Edition12	PCI	NEC N8190-120 (LP1050)3, 13, 18, 53, 55, 60, 61	FC-AL, FC-SW	Intel SSR212PPf	Y2	
246	NEC Express 5800: 320La-R116, 320La116, 320Lb-R116, 117, 320Lb116, 117	Microsoft Windows 2003 [x86]: Enterprise Edition12, Standard Edition12	PCI	NEC N8803-031 (QLA2310F)14, 18, 19, 22, 28	FC-AL, FC-SW	Intel SSR212PPf	Y2	

		Edition12							
247	HPQ Proliant: DL32034, DL360(G2)34 , DL36034, DL58034, ML350(G2)34, ML35034 , ML370(G2)34, ML37034, ML530(G2)34 , ML530(G3)34, ML53034, ML57034, ML75034; IBM xSeries: x225, x230, x232, x240, x250, x330, x335, x340 (4500R), x342, x350 (6000R), x370	Microsoft Windows 2003 [x86]: Enterprise Edition12 , Standard Edition12	PCI	QLogic: QLA200-E-SP18, 30, 33, 39, 77, 78, QLA210-E-SP4, 30, 31, 33, QLA2340-E-SP14, 18, 19, 28, QLA2460-E-SP4, 14, 18, 22, 28, 65	FC-AL, FC-SW	Intel SSR212PP f	Y2, 27	See23	
248	Dell PowerEdge: 1550, 2300, 2400, 2450, 2500, 255040, 4300, 4350, 4400, 6100, 6300, 6350, 6400, 6450, 8450	Microsoft Windows 2003 [x86]: Enterprise Edition12 , Standard Edition12	PCI	QLogic: QLA200-E-SP18, 30, 39, 79, QLA210-E-SP4, 30, 33, 35, QLA2340-E-SP10, 14, 18, 19, QLA2460-E-SP4, 18, 28, 65, 106	FC-AL, FC-SW	Intel SSR212PP f	Y2, 27	See23	
249	Unisys: ES3120, ES3120L, ES3140, ES3140L	Microsoft Windows 2003 [x86]: Enterprise Edition12 , Standard Edition12	PCI	Unisys FCH752313-PCX (LP1050)3, 100, 139	FC-AL, FC-SW	Intel SSR212PP f	Y2		
250	Fujitsu Siemens Primergy: RX200 S2, RX600 S2, TX600 S2	Microsoft Windows 2003 [x86]: Enterprise Edition12 , Standard Edition12	PCI Express	Emulex LP1050Ex-E3, 4, 18, 53, 100	FC-AL, FC-SW	Intel SSR212PP f	Y2, 27, Y2, 27, 59	See36	
251	Dell PowerEdge: 1800, 1850, 1950, 2800, 2850, 6800, 6850; Digital Henge INNO: HR-4850, HR-6850; Fujitsu Siemens Primergy RX300 S3; HPQ Proliant: DL360(G4)34, DL380(G4)34 , DL580(G3)34; IBM xSeries x3455 (7984); LangChao: NC3000, NC3500, NF500, NF520; Samsung: ZSS230, ZSS230D	Microsoft Windows 2003 [x86]: Enterprise Edition12 , Standard Edition12	PCI Express	Emulex LPe111-E3, 4, 13, 15, 18, 37	FC-AL, FC-SW	Intel SSR212PP f	Y2, 27	See36	
252	Digital Henge INNO: HR-4850, HR-6850; Digital Henge Rev0: JS1400, JS2400; Fujitsu Siemens Primergy RX300 S3; HPQ Proliant: DL360(G4)34, DL380(G4)34 , DL580(G3)34; LangChao: NC3000, NC3500, NF500, NF520; Samsung: ZSS150, ZSS230, ZSS230D	Microsoft Windows 2003 [x86]: Enterprise Edition12 , Standard Edition12	PCI Express	Emulex LPe111-E3, 4, 13, 15, 18, 37	FC-AL, FC-SW	Intel SSR212PP f	Y2, 27, Y2, 27, 59	See36	
253	Fujitsu Siemens Primergy RX300 S3	Microsoft Windows 2003 [x86]: Enterprise Edition12 , Standard Edition12	PCI Express	Emulex LPe1150-E3, 4, 18, 53, 83	FC-AL, FC-SW	Intel SSR212PP f	Y2, 27, Y2, 27, 59	See36	
254	Samsung: ZSS230, ZSS230D	Microsoft Windows 2003 [x86]: Enterprise Edition12 , Standard Edition12	PCI Express	Emulex: LP101-E3, 13, 18, 53, 60, LP1050-E3, 13, 18, 53, 60, 61, LP1150-E3, 4, 13, 18, 53, 61, 75, LP982-E3, 13, 18, 58, 60, 61	FC-AL, FC-SW	Intel SSR212PP f	Y2, 27	See36	
255	Dell PowerEdge 1950	Microsoft Windows 2003 [x86]: Enterprise Edition12 , Standard Edition12	PCI Express	Emulex: LP1050-E3, 18, 53, 60, 61, LP982-E3, 18, 58, 60, 61	FC-AL, FC-SW	Intel SSR212PP f	Y2, 27	See36	

Microsoft Windows 2003 [x86]

No.	Host System	Operating System	Host Bus	Host Bus Adapter	Topology	Storage Array	External Boot	Comments
256	Digital Henge INNO: HR-4850, HR-6850; Digital Henge Rev0: JS1400, JS2400; HPQ Proliant: DL360(G4)34, DL380(G4)34 , DL580(G3)34; LangChao: NC3000, NC3500, NF500, NF520; Samsung: ZSS150, ZSS230, ZSS230D	Microsoft Windows 2003 [x86]: Enterprise Edition12 , Standard Edition12	PCI Express	Emulex: LP1050Ex-E3, 4, 13, 18, 53, 60, 61, LPe1150-E3, 4, 7, 13, 18, 53, 61	FC-AL, FC-SW	Intel SSR212PP f	Y2, 27, 59	See36
257	Digital Henge INNO: HR-4850, HR-6850; HPQ Proliant: DL360(G4)34, DL380(G4)34 , DL580(G3)34; IBM xSeries x3455 (7984); LangChao: NC3000, NC3500, NF500, NF520; Samsung: ZSS230, ZSS230D	Microsoft Windows 2003 [x86]: Enterprise Edition12 , Standard Edition12	PCI Express	Emulex: LP1050Ex-E3, 4, 13, 18, 53, 60, 61, LPe1150-E3, 4, 7, 13, 18, 53, 61	FC-AL, FC-SW	Intel SSR212PP f	Y2, 27	See36
258	Dell PowerEdge: 1800, 1850, 1950, 2800, 2850, 6800, 6850	Microsoft Windows 2003 [x86]: Enterprise Edition12 , Standard Edition12	PCI Express	Emulex: LP1050Ex-E3, 4, 13, 18, 60, 61, LPe1150-E3, 4, 7, 13, 18, 61	FC-AL, FC-SW	Intel SSR212PP f	Y2, 27	See36
259	HPQ Proliant DL360(G4)34	Microsoft Windows 2003 [x86]: Enterprise Edition12 , Standard Edition12	PCI Express	HPQ A7560A (LP1050Ex)3, 4, 13, 18, 53, 61	FC-AL, FC-SW	Intel SSR212PP f	Y2, Y2, 59	
260	HPQ Proliant: DL360(G4)34, DL380(G4)34 , DL580(G3)34	Microsoft Windows 2003 [x86]: Enterprise Edition12 , Standard Edition12	PCI Express	HPQ A8002A/FC2142SR (LPe1150)3, 4, 7, 13, 53, 61	FC-AL, FC-SW	Intel SSR212PP f	Y2, Y2, 59	

Intel® Storage System SSR212PP-Series

Microsoft Windows 2003 [x86]

261	HPQ Proliant: DL360(G4)34, DL380(G4)34	Microsoft Windows 2003 [x86]: Enterprise Edition12 , Standard Edition12	PCI Express	HPQ AE311A/FC1142SR (QLE2460)4, 14, 18, 28, 65, 109	FC-AL, FC-SW	Intel SSR212PP f	Y2, Y2, 59	
262	NEC Express 5800: 120Li, 120Rg-1, 120Ri-2, 140Hf, 140Re-4	Microsoft Windows 2003 [x86]: Enterprise Edition12 , Standard Edition12	PCI Express	NEC N8190-127 (LPe1150)3, 7, 55, 57, 58	FC-AL, FC-SW	Intel SSR212PP f	Y2, 27	See36
263	NEC Express 5800: 140He, 140Rd-4	Microsoft Windows 2003 [x86]: Enterprise Edition12 , Standard Edition12	PCI Express	NEC N8190-127 (LPe1150)3, 7, 55, 57, 58	FC-AL, FC-SW	Intel SSR212PP f	Y2, 27, 54	See23, 36
264	Dell PowerEdge 1950	Microsoft Windows 2003 [x86]: Enterprise Edition12 , Standard Edition12	PCI Express	QLogic QLA200-E-SP18, 30, 33, 39, 77, 78	FC-AL, FC-SW	Intel SSR212PP f	Y2, 27, 41	See23
265	Dell PowerEdge: 1800, 1850, 1950, 2800, 2850, 6800, 6850; Digital Henge INNO: HR-4850, HR-6850; IBM xSeries x3455 (7984); LangChao: NC3000, NC3500, NF500, NF520; Samsung: ZSS230, ZSS230D	Microsoft Windows 2003 [x86]: Enterprise Edition12 , Standard Edition12	PCI Express	QLogic QLE220-E-SP4, 18, 24, 25, 29	FC-AL, FC-SW	Intel SSR212PP f	Y2, 27	See23
266	Digital Henge INNO: HR-4850, HR-6850; LangChao: NC3000, NC3500, NF500, NF520; Samsung: ZSS230, ZSS230D	Microsoft Windows 2003 [x86]: Enterprise Edition12 , Standard Edition12	PCI Express	QLogic QLE2360-E-SP18, 22, 62, 67, 68	FC-AL, FC-SW	Intel SSR212PP f	Y2, 27	See23
267	Digital Henge INNO: HR-4850, HR-6850; IBM xSeries x3455 (7984); LangChao: NC3000, NC3500, NF500, NF520; Samsung: ZSS230, ZSS230D	Microsoft Windows 2003 [x86]: Enterprise Edition12 , Standard Edition12	PCI Express	QLogic QLE2460-E-SP4, 14, 18, 22, 28, 65	FC-AL, FC-SW	Intel SSR212PP f	Y2, 27	See23
268	Dell PowerEdge 1950	Microsoft Windows 2003 [x86]: Enterprise Edition12 , Standard Edition12	PCI Express	QLogic: QLA200-E-SP18, 30, 33, 39, 77, 78, QLA200-E-SP18, 30, 39, 79, QLA210-E-SP4, 30, 33, 35, QLA2340-E-SP10, 14, 18, 19	FC-AL, FC-SW	Intel SSR212PP f	Y2, 27	See23
269	Samsung: ZSS230, ZSS230D	Microsoft Windows 2003 [x86]: Enterprise Edition12 , Standard Edition12	PCI Express	QLogic: QLA2340-E-SP14, 18, 19, 28, QLA2460-E-SP4, 14, 18, 22, 28, 65	FC-AL, FC-SW	Intel SSR212PP f	Y2, 27, Y2, 27, 59	See23
270	Digital Henge INNO: HR-4850, HR-6850; Digital Henge Rev0: JS1400, JS2400; LangChao: NC3000, NC3500, NF500, NF520; Samsung: ZSS150, ZSS230, ZSS230D	Microsoft Windows 2003 [x86]: Enterprise Edition12 , Standard Edition12	PCI Express	QLogic: QLE220-E-SP4, 18, 24, 25, 29, QLE2360-E-SP18, 22, 62, 67, 68, QLE2460-E-SP4, 14, 18, 22, 28, 65	FC-AL, FC-SW	Intel SSR212PP f	Y2, 27, 59	See23
271	Digital Henge INNO: HR-4850, HR-6850; LangChao: NC3000, NC3500, NF500, NF520; Samsung: ZSS230, ZSS230D	Microsoft Windows 2003 [x86]: Enterprise Edition12 , Standard Edition12	PCI Express	QLogic: QLE220-E-SP4, 18, 24, 25, 29, QLE2360-E-SP18, 22, 62, 67, 68, QLE2460-E-SP4, 14, 18, 22, 28, 65	FC-AL, FC-SW	Intel SSR212PP f	Y2, 27, 41	See23
272	IBM xSeries x3455 (7984)	Microsoft Windows 2003 [x86]: Enterprise Edition12 , Standard Edition12	PCI Express	QLogic: QLE2360-E-SP14, 18, 22, 62, 68, QLE2360-E-SP14, 18, 62, 68, 106, QLE2460-E-SP4, 14, 18, 28, 65, 106	FC-AL, FC-SW	Intel SSR212PP f	Y2, 27	See23
273	Dell PowerEdge: 1800, 1850, 1950, 2800, 2850, 6800, 6850	Microsoft Windows 2003 [x86]: Enterprise Edition12 , Standard Edition12	PCI Express	QLogic: QLE2360-E-SP10, 14, 18, 62, QLE2460-E-SP4, 10, 14, 18, 65	FC-AL, FC-SW	Intel SSR212PP f	Y2, 27	See23

Microsoft Windows 2003 [x86]

No.	Host System	Operating System	Host Bus	Host Bus Adapter	Topology	Storage Array	External Boot	Comments
274	IBM eServer 326m (Model 7969)	Microsoft Windows 2003 [x86]: Enterprise Edition12 , Standard Edition12	PCI Express, PCI-X	Emulex LP1050Ex-E3, 4, 18, 53, 60, 61	FC-AL, FC-SW	Intel SSR212PP f	Y2, 27, 59	See36
275	IBM: eServer 326m (Model 7969), xSeries x3550 (7978), xSeries x3650 (7979), xSeries x3755 (8877)	Microsoft Windows 2003 [x86]: Enterprise Edition12 , Standard Edition12	PCI Express, PCI-X	Emulex LP1050Ex-E3, 4, 18, 53, 60, 61	FC-AL, FC-SW	Intel SSR212PP f	Y2, 27	See36
276	Fujitsu Siemens Primergy: RX220, RX600 S3, TX600 S3	Microsoft Windows 2003 [x86]: Enterprise Edition12 , Standard Edition12	PCI Express, PCI-X	Emulex LP1050Ex-E3, 4, 18, 53, 100	FC-AL, FC-SW	Intel SSR212PP f	Y2, 27, Y2, 27, 59	See36
277	Digital Henge INNO: HR-4850T, HR-6850T; IBM xSeries: x3550 (7978), x3650 (7979), x3755 (8877); Intel: SC5300AF2, SE7520BB2, SR1400/SE7520JR2, SR2400/SE7520JR2, SR4850HW4-M/SR6850HW4-M, SR4850HW4/SR6850HW4; Lenovo SureServer: R630 G5, R650, R650 G5, T650	Microsoft Windows 2003 [x86]: Enterprise Edition12 , Standard Edition12	PCI Express, PCI-X	Emulex LP1150-E3, 4, 13, 18, 53, 61, 75	FC-AL, FC-SW	Intel SSR212PP f	Y2, 27	See36
278	Dell PowerEdge: 1900, 2900, 2950, 6950; Digital Henge INNO: HR-4850T, HR-6850T;	Microsoft Windows 2003 [x86]: Enterprise Edition12 , Standard Edition12	PCI Express, PCI-X	Emulex LPe111-E3, 4, 13, 15, 18, 37	FC-AL, FC-SW	Intel SSR212PP f	Y2, 27	See36

	Digital Henge Rev0: AS1500, AS1550, AS2500; Fujitsu Siemens Primergy: RX200 S3, RX220, RX600 S3, TX300 S3, TX600 S3; IBM: eServer 326m (Model 7969), xSeries x3550 (7978), xSeries x3650 (7979), xSeries x3755 (8877); Intel: SR1500/S5000PAL, SR2500/S5000PAL, SR4850HW4-M/SR6850HW4-M, SR4850HW4/SR6850HW4; Lenovo SureServer: R630 G5, R650, R650 G5, T650; Samsung ZSS132							
279	Digital Henge INNO: HR-4850T, HR-6850T; Fujitsu Siemens Primergy: RX200 S3, RX220, RX600 S3, TX300 S3, TX600 S3; IBM eServer 326m (Model 7969); Intel: SC5300AF2, SE7520BB2, SR1400/SE7520JR2, SR2400/SE7520JR2, SR4850HW4-M/SR6850HW4-M, SR4850HW4/SR6850HW4; Lenovo SureServer: R630 G5, R650, R650 G5, T650	Microsoft Windows 2003 [x86]: Enterprise Edition12 , Standard Edition12	PCI Express, PCI-X	Emulex LPe111-E3, 4, 13, 15, 18, 37	FC-AL, FC-SW	Intel SSR212PPf	Y2, 27, 59	See36
280	Fujitsu Siemens Primergy: RX200 S3, RX220, RX600 S3, TX300 S3, TX600 S3	Microsoft Windows 2003 [x86]: Enterprise Edition12 , Standard Edition12	PCI Express, PCI-X	Emulex LPe1150-E3, 4, 18, 53, 83	FC-AL, FC-SW	Intel SSR212PPf	Y2, 27, 59	See36
281	Digital Henge INNO: HR-4850T, HR-6850T; IBM xSeries: x336 (8837)45, x346 (8840)45 , x3550 (7978), x3650 (7979), x3755 (8877); Intel: SC5300AF2, SE7520BB2, SR1400/SE7520JR2, SR2400/SE7520JR2, SR4850HW4-M/SR6850HW4-M, SR4850HW4/SR6850HW4; Lenovo SureServer: R630 G5, R650, R650 G5, T650	Microsoft Windows 2003 [x86]: Enterprise Edition12 , Standard Edition12	PCI Express, PCI-X	Emulex: LP101-E3, 13, 18, 53, 60, LP1050-E3, 13, 18, 53, 60, 61, LP982-E3, 13, 18, 58, 60, 61	FC-AL, FC-SW	Intel SSR212PPf	Y2, 27	See36
282	IBM xSeries: x3550 (7978), x3650 (7979), x3755 (8877)	Microsoft Windows 2003 [x86]: Enterprise Edition12 , Standard Edition12	PCI Express, PCI-X	Emulex: LP101-E3, 13, 18, 53, 60, LP1050-E3, 13, 18, 53, 60, 61, LP982-E3, 13, 18, 58, 60, 61	FC-AL, FC-SW	Intel SSR212PPf	Y2, 27, 41	See36
283	IBM xSeries: x3550 (7978), x3650 (7979), x3755 (8877)	Microsoft Windows 2003 [x86]: Enterprise Edition12 , Standard Edition12	PCI Express, PCI-X	Emulex: LP101-E3, 18, 53, 60, LP1150-E3, 4, 18, 53, 61, 75, LPe1150-E3, 4, 7, 18, 53, 61	FC-AL, FC-SW	Intel SSR212PPf	Y2, 27	See36
284	Dell PowerEdge: 1900, 2900, 2950, 6950; Digital Henge Rev0: AS1500, AS1550, AS2500; IBM xSeries: x3550 (7978), x3650 (7979), x3755 (8877); Intel: SR1500/S5000PAL, SR2500/S5000PAL; Samsung ZSS132	Microsoft Windows 2003 [x86]: Enterprise Edition12 , Standard Edition12	PCI Express, PCI-X	Emulex: LP1050-E3, 18, 53, 60, 61, LP982-E3, 18, 58, 60, 61	FC-AL, FC-SW	Intel SSR212PPf	Y2, 27	See36
285	Digital Henge INNO: HR-4850T, HR-6850T; IBM eServer 326m (Model 7969); Intel: SC5300AF2, SE7520BB2, SR1400/SE7520JR2, SR2400/SE7520JR2, SR4850HW4-M/SR6850HW4-M, SR4850HW4/SR6850HW4; Lenovo SureServer: R630 G5, R650, R650 G5, T650	Microsoft Windows 2003 [x86]: Enterprise Edition12 , Standard Edition12	PCI Express, PCI-X	Emulex: LP1050Ex-E3, 4, 13, 18, 53, 60, 61, LPe1150-E3, 4, 7, 13, 18, 53, 61	FC-AL, FC-SW	Intel SSR212PPf	Y2, 27, 59	See36

Microsoft Windows 2003 [x86]

No.	Host System	Operating System	Host Bus	Host Bus Adapter	Topology	Storage Array	External Boot	Comments
286	Digital Henge INNO: HR-4850T, HR-6850T; IBM eServer 326m (Model 7969); Intel: SR4850HW4-M/SR6850HW4-M, SR4850HW4/SR6850HW4; Lenovo SureServer: R630 G5, R650, R650 G5, T650	Microsoft Windows 2003 [x86]: Enterprise Edition12 , Standard Edition12	PCI Express, PCI-X	Emulex: LP1050Ex-E3, 4, 13, 18, 53, 60, 61, LPe1150-E3, 4, 7, 13, 18, 53, 61	FC-AL, FC-SW	Intel SSR212PPf	Y2, 27	See36
287	Dell PowerEdge: 1900, 2900, 2950, 6950; Digital Henge Rev0: AS1500, AS1550, AS2500; Intel: SR1500/S5000PAL, SR2500/S5000PAL; Samsung ZSS132	Microsoft Windows 2003 [x86]: Enterprise Edition12 , Standard Edition12	PCI Express, PCI-X	Emulex: LP1050Ex-E3, 4, 13, 18, 60, 61, LPe1150-E3, 4, 7, 13, 18, 61	FC-AL, FC-SW	Intel SSR212PPf	Y2, 27	See36
288	HPQ Proliant ML350(G4)34	Microsoft Windows 2003 [x86]: Enterprise Edition12 , Standard Edition12	PCI Express, PCI-X	HPQ: AB429A/FC1143 (QLA2460)4, 14, 18, 65, AE369A/FC1243 (QLA2462)4, 14, 18, 65	FC-AL, FC-SW	Intel SSR212PPf	Y2, 27	See23

Intel® Storage System SSR212PP-Series

Microsoft Windows 2003 [x86]

289	IBM xSeries: x3550 (7978), x3650 (7979)	Microsoft Windows 2003 [x86]: Enterprise Edition12 , Standard Edition12	PCI Express, PCI-X	IBM 19K1246 (QLA2310)14, 18, 19, 22, 28, 120	FC-AL, FC-SW	Intel SSR212PPf	Y2, 41	
290	IBM xSeries: x3550 (7978), x3650 (7979)	Microsoft Windows 2003 [x86]: Enterprise Edition12 , Standard Edition12	PCI Express, PCI-X	IBM 24P8053 (QLA2342)4, 14, 18, 19, 28	FC-AL, FC-SW	Intel SSR212PPf	Y2	
291	IBM xSeries: x3550 (7978), x3650 (7979)	Microsoft Windows 2003 [x86]: Enterprise Edition12 , Standard Edition12	PCI Express, PCI-X	IBM 24P8053 (QLA2342)4, 14, 18, 19, 28	FC-AL, FC-SW	Intel SSR212PPf	Y2, 27, Y2, 27, 41	See23
292	IBM xSeries: x3550 (7978), x3650 (7979)	Microsoft Windows 2003 [x86]: Enterprise Edition12 , Standard Edition12	PCI Express, PCI-X	IBM 24P8053 (QLA2342)4, 14, 18, 19, 28	FC-AL, FC-SW	Intel SSR212PPf	Y2, 27, Y2, 27, 41	See36
293	IBM xSeries: x336 (8837)45, x346 (8840)45 , x3550 (7978), x3650 (7979)	Microsoft Windows 2003 [x86]: Enterprise Edition12 , Standard Edition12	PCI Express, PCI-X	IBM: 19K1246 (QLA2310)14, 18, 19, 22, 28, 120, 24P0960 (QLA2340)14, 18, 19, 22, 28, 103	FC-AL, FC-SW	Intel SSR212PPf	Y2	
294	IBM xSeries: x3550 (7978), x3650 (7979), x3755 (8877)	Microsoft Windows 2003 [x86]: Enterprise Edition12 , Standard Edition12	PCI Express, PCI-X	IBM: 39M5894 (QLA2460)4, 18, 22, 65, 73, 39M5895 (QLA2462)4, 18, 22, 65, 73; QLogic: QLA2340-E-SP18, 19, 28, QLA2460-E-SP4, 18, 22, 28, 65, QLE2460-E-SP4, 18, 28, 65, 106	FC-AL, FC-SW	Intel SSR212PPf	Y2, 27	See23
295	Dell PowerEdge: 1900, 2900, 2950, 6950; Digital Henge Revo: AS1500, AS1550, AS2500; IBM xSeries: x336 (8837)45, x346 (8840)45 , x3550 (7978), x3650 (7979), x3755 (8877); Intel: SR1500/S5000PAL, SR2500/S5000PAL; Samsung ZSS132	Microsoft Windows 2003 [x86]: Enterprise Edition12 , Standard Edition12	PCI Express, PCI-X	QLogic QLA200-E-SP18, 30, 33, 39, 77, 78	FC-AL, FC-SW	Intel SSR212PPf	Y2, 27	See23
296	Dell PowerEdge: 1900, 2900, 2950, 6950; Digital Henge Revo: AS1500, AS1550, AS2500; IBM xSeries: x3550 (7978), x3650 (7979), x3755 (8877); Intel: SR1500/S5000PAL, SR2500/S5000PAL; Samsung ZSS132	Microsoft Windows 2003 [x86]: Enterprise Edition12 , Standard Edition12	PCI Express, PCI-X	QLogic QLA200-E-SP18, 30, 33, 39, 77, 78	FC-AL, FC-SW	Intel SSR212PPf	Y2, 27, 41	See23
297	IBM xSeries: x336 (8837)45, x346 (8840)45 , x3550 (7978), x3650 (7979), x3755 (8877)	Microsoft Windows 2003 [x86]: Enterprise Edition12 , Standard Edition12	PCI Express, PCI-X	QLogic QLA210-E-SP4, 30, 31, 33	FC-AL, FC-SW	Intel SSR212PPf	Y2, 27	See23
298	Digital Henge INNO: HR-4850T, HR-6850T; IBM xSeries: x336 (8837)45, x346 (8840)45 , x3550 (7978), x3650 (7979), x3755 (8877); Intel: SC5300AF2, SE7520BB2, SR1400/SE7520JR2, SR2400/SE7520JR2, SR4850HW4-M/SR6850HW4-M, SR4850HW4/SR6850HW4; Lenovo SureServer: R630 G5, R650, R650 G5, T650	Microsoft Windows 2003 [x86]: Enterprise Edition12 , Standard Edition12	PCI Express, PCI-X	QLogic QLA2340-E-SP14, 18, 19, 28	FC-AL, FC-SW	Intel SSR212PPf	Y2, 27	See23
299	Digital Henge INNO: HR-4850T, HR-6850T; IBM xSeries: x3550 (7978), x3650 (7979), x3755 (8877); Intel: SC5300AF2, SE7520BB2, SR1400/SE7520JR2, SR2400/SE7520JR2, SR4850HW4-M/SR6850HW4-M, SR4850HW4/SR6850HW4; Lenovo SureServer: R630 G5, R650, R650 G5, T650	Microsoft Windows 2003 [x86]: Enterprise Edition12 , Standard Edition12	PCI Express, PCI-X	QLogic QLA2460-E-SP4, 14, 18, 22, 28, 65	FC-AL, FC-SW	Intel SSR212PPf	Y2, 27	See23

Microsoft Windows 2003 [x86]

No.	Host System	Operating System	Host Bus	Host Bus Adapter	Topology	Storage Array	External Boot	Comments
300	Dell PowerEdge: 1900, 2900, 2950, 6950; Digital Henge INNO: HR-4850T, HR-6850T; Digital Henge Revo: AS1500, AS1550, AS2500; IBM: eServer 326m (Model 7969), xSeries x3550 (7978), xSeries x3650 (7979), xSeries x3755 (8877); Intel: SR1500/S5000PAL, SR2500/S5000PAL, SR4850HW4-M/SR6850HW4-M, SR4850HW4/SR6850HW4; Lenovo SureServer: R630 G5, R650, R650 G5, T650; Samsung ZSS132	Microsoft Windows 2003 [x86]: Enterprise Edition12 , Standard Edition12	PCI Express, PCI-X	QLogic QLE220-E-SP4, 18, 24, 25, 29	FC-AL, FC-SW	Intel SSR212PPf	Y2, 27	See23

301	Dell PowerEdge: 1900, 2900, 2950, 6950; Digital Henge Rev0: AS1500, AS1550, AS2500; IBM xSeries: x3550 (7978), x3650 (7979), x3755 (8877); Intel: SR1500/S5000PAL, SR2500/S5000PAL; Samsung ZSS132	Microsoft Windows 2003 [x86]: Enterprise Edition12 , Standard Edition12	PCI Express, PCI-X	QLLogic: QLA200-E-SP18, 30, 39, 79, QLA210-E-SP4, 30, 33, 35	FC-AL, FC-SW	Intel SSR212PPf	Y2, 27	See23
302	IBM xSeries: x3550 (7978), x3650 (7979), x3755 (8877)	Microsoft Windows 2003 [x86]: Enterprise Edition12 , Standard Edition12	PCI Express, PCI-X	QLLogic: QLA210-E-SP4, 30, 31, 33, QLA2340-E-SP14, 18, 19, 28	FC-AL, FC-SW	Intel SSR212PPf	Y2, 27, 41	See23
303	Digital Henge INNO: HR-4850T, HR-6850T; Intel: SC5300AF2, SE7520BB2, SR1400/SE7520JR2, SR2400/SE7520JR2, SR4850HW4-M/SR6850HW4-M, SR4850HW4/SR6850HW4; Lenovo SureServer: R630 G5, R650, R650 G5, T650	Microsoft Windows 2003 [x86]: Enterprise Edition12 , Standard Edition12	PCI Express, PCI-X	QLLogic: QLA2340-E-SP14, 18, 19, 28, QLA2460-E-SP4, 14, 18, 22, 28, 65	FC-AL, FC-SW	Intel SSR212PPf	Y2, 27, 59	See23
304	Dell PowerEdge: 1900, 2900, 2950, 6950; Digital Henge Rev0: AS1500, AS1550, AS2500; Intel: SR1500/S5000PAL, SR2500/S5000PAL; Samsung ZSS132	Microsoft Windows 2003 [x86]: Enterprise Edition12 , Standard Edition12	PCI Express, PCI-X	QLLogic: QLA2340-E-SP10, 14, 18, 19, QLE2360-E-SP10, 14, 18, 62, QLE2460-E-SP4, 10, 14, 18, 65	FC-AL, FC-SW	Intel SSR212PPf	Y2, 27	See23
305	Digital Henge INNO: HR-4850T, HR-6850T; Intel: SC5300AF2, SE7520BB2, SR1400/SE7520JR2, SR2400/SE7520JR2, SR4850HW4-M/SR6850HW4-M, SR4850HW4/SR6850HW4; Lenovo SureServer: R630 G5, R650, R650 G5, T650	Microsoft Windows 2003 [x86]: Enterprise Edition12 , Standard Edition12	PCI Express, PCI-X	QLLogic: QLE220-E-SP4, 18, 24, 25, 29, QLE2360-E-SP18, 22, 62, 67, 68, QLE2460-E-SP4, 14, 18, 22, 28, 65	FC-AL, FC-SW	Intel SSR212PPf	Y2, 27, 59	See23
306	Digital Henge INNO: HR-4850T, HR-6850T; IBM eServer 326m (Model 7969); Intel: SR4850HW4-M/SR6850HW4-M, SR4850HW4/SR6850HW4; Lenovo SureServer: R630 G5, R650, R650 G5, T650	Microsoft Windows 2003 [x86]: Enterprise Edition12 , Standard Edition12	PCI Express, PCI-X	QLLogic: QLE220-E-SP4, 18, 24, 25, 29, QLE2360-E-SP18, 22, 62, 67, 68, QLE2460-E-SP4, 14, 18, 22, 28, 65	FC-AL, FC-SW	Intel SSR212PPf	Y2, 27, 41	See23
307	Digital Henge INNO: HR-4850T, HR-6850T; IBM eServer 326m (Model 7969); Intel: SR4850HW4-M/SR6850HW4-M, SR4850HW4/SR6850HW4; Lenovo SureServer: R630 G5, R650, R650 G5, T650	Microsoft Windows 2003 [x86]: Enterprise Edition12 , Standard Edition12	PCI Express, PCI-X	QLLogic: QLE2360-E-SP18, 22, 62, 67, 68, QLE2460-E-SP4, 14, 18, 22, 28, 65	FC-AL, FC-SW	Intel SSR212PPf	Y2, 27	See23
308	IBM xSeries: x346 (8840)45, x3550 (7978), x3650 (7979), x3755 (8877)	Microsoft Windows 2003 [x86]: Enterprise Edition12 , Standard Edition12	PCI Express, PCI-X	QLLogic: QLE2360-E-SP18, 22, 62, 68, QLE2360-E-SP18, 62, 68, 106	FC-AL, FC-SW	Intel SSR212PPf	Y2, 27	See23
309	Dell PowerEdge 6850	Microsoft Windows 2003 [x86]: Enterprise Edition12 , Standard Edition12	PCI-X	Dell 2362M10, 14, 69, 70	FC-AL, FC-SW	Intel SSR212PPf	Y2	
310	Dell PowerEdge 1855	Microsoft Windows 2003 [x86]: Enterprise Edition12 , Standard Edition12	PCI-X	Dell: 2342M10, 14, 18, 19, LPe1105-M3, 4, 5, 7, 13, QME24624, 8, 10, 14	FC-AL, FC-SW	Intel SSR212PPf	Y2	
311	Fujitsu Siemens Primergy: RX200, RX300, TX200, TX300	Microsoft Windows 2003 [x86]: Enterprise Edition12 , Standard Edition12	PCI-X	Emulex LP1050-E3, 18, 53, 100	FC-AL, FC-SW	Intel SSR212PPf	Y2, 27	See36
312	Dell PowerEdge: 1600SC, 1650, 1750, 2600, 2650, 4600, 6600, 6650; Sun: x4100, x4200	Microsoft Windows 2003 [x86]: Enterprise Edition12 , Standard Edition12	PCI-X	Emulex LP1150-E3, 4, 18, 53, 61, 75	FC-AL, FC-SW	Intel SSR212PPf	Y2, 27	See36

Microsoft Windows 2003 [x86]

No.	Host System	Operating System	Host Bus	Host Bus Adapter	Topology	Storage Array	External Boot	Comments
313	Digital Henge INNO: HR-4850, HR-6850, SH4500; HPQ Proliant: BL40p, DL360(G3)34 , DL360(G4)34, DL56034, DL74034, DL760 (G2)34, DL76034, ML570(G2)34; IBM xSeries: x235, x255, x360, x365, x440; LangChao: NC2000, NC3000, NC3500, NF420, NF500, NF520; Lenovo: ShenTeng R630, SureServer R630 6003, SureServer R630 6004, SureServer T630 6003, SureServer T630 6004; Samsung: SS210, SS3400, SS3440, SS370, SS3840, ZSS150;	Microsoft Windows 2003 [x86]: Enterprise Edition12 , Standard Edition12	PCI-X	Emulex: LP101-E3, 13, 18, 53, 60, LP1050-E3, 13, 18, 53, 60, 61, LP1150-E3, 4, 13, 18, 53, 61, 75, LP982-E3, 13, 18, 58, 60, 61	FC-AL, FC-SW	Intel SSR212PPf	Y2, 27	See36

Intel® Storage System SSR212PP-Series

Microsoft Windows 2003 [x86]

	Sun: V20z, V40z, x4100, x4200								
314	IBM xSeries x3850/x366 (8863)42	Microsoft Windows 2003 [x86]: Enterprise Edition12 , Standard Edition12	PCI-X	Emulex: LP101-E3, 13, 18, 53, 60, LP1050-E3, 13, 18, 53, 60, 61, LP982-E3, 13, 18, 58, 60, 61	FC-AL, FC-SW	Intel SSR212PP f	Y2, 27, 41	See36	
315	Dell PowerEdge: 1600SC, 1650, 1750, 2600, 2650, 2800, 2850, 4600, 6600, 6650, 6800, 6850	Microsoft Windows 2003 [x86]: Enterprise Edition12 , Standard Edition12	PCI-X	Emulex: LP101-E3, 18, 53, 60, LP1050-E3, 18, 53, 60, 61, LP982-E3, 18, 58, 60, 61	FC-AL, FC-SW	Intel SSR212PP f	Y2, 27	See36	
316	HPQ Proliant DL360(G4)34	Microsoft Windows 2003 [x86]: Enterprise Edition12 , Standard Edition12	PCI-X	Emulex: LP1050Ex-E3, 4, 13, 18, 53, 60, 61, LPe111-E3, 4, 13, 15, 18, 37, LPe1150-E3, 4, 7, 13, 18, 53, 61	FC-AL, FC-SW	Intel SSR212PP f	Y2, 27, Y2, 27, 59	See36	
317	NEC Express 5800: 140Hf, 140Re-4	Microsoft Windows 2003 [x86]: Enterprise Edition12 , Standard Edition12	PCI-X	Emulex: LPe111-E3, 4, 13, 15, 18, 37, LPe1150-E3, 4, 7, 57, 58	FC-AL, FC-SW	Intel SSR212PP f	Y2		
318	NEC Express 5800: 140He, 140Rd-4	Microsoft Windows 2003 [x86]: Enterprise Edition12 , Standard Edition12	PCI-X	Emulex: LPe111-E3, 4, 13, 15, 18, 37, LPe1150-E3, 4, 7, 57, 58; NEC N8190-120 (LP1050)3, 13, 18, 53, 55, 60, 61	FC-AL, FC-SW	Intel SSR212PP f	Y2, 27, 54	See23, 36	
319	HPQ Proliant DL360(G4)34	Microsoft Windows 2003 [x86]: Enterprise Edition12 , Standard Edition12	PCI-X	HPQ AE311A/FC1142SR (QLE2460)4, 14, 18, 28, 65, 109	FC-AL, FC-SW	Intel SSR212PP f	Y2, 41		
320	HPQ Proliant BL45p	Microsoft Windows 2003 [x86]: Enterprise Edition12 , Standard Edition12	PCI-X	HPQ Dual-port Fibre Channel Adapter for HP Proliant BL25p/BL45p 381881-B2114, 18, 22, 28, 102	FC-AL, FC-SW	Intel SSR212PP f	Y2		
321	HPQ Proliant: DL360(G3)34, DL360(G4)34 , DL56034, DL74034, DL760 (G2)34, DL76034 , ML570(G2)34	Microsoft Windows 2003 [x86]: Enterprise Edition12 , Standard Edition12	PCI-X	HPQ: A7298A (LP982)3, 13, 18, 53, 60, 61, A7388A (LP1050)3, 13, 18, 53, 60, 61, AD167A/FC2143 (LP1150)3, 4, 13, 53, 61, 112, FCA2214 (QLA2340)14, 18, 19, 22, 28, FCA2408 (LP982)3, 4, 13, 18, 53, 60, 61	FC-AL, FC-SW	Intel SSR212PP f	Y2		
322	HPQ Proliant DL360(G4)34	Microsoft Windows 2003 [x86]: Enterprise Edition12 , Standard Edition12	PCI-X	HPQ: A8002A/FC2142SR (LPe1150)3, 4, 7, 13, 53, 61, AE311A/FC1142SR (QLE2460)4, 14, 18, 28, 65, 109	FC-AL, FC-SW	Intel SSR212PP f	Y2, Y2, 59		
323	HPQ Proliant DL360(G4)34	Microsoft Windows 2003 [x86]: Enterprise Edition12 , Standard Edition12	PCI-X	HPQ: AB429A/FC1143 (QLA2460)4, 14, 18, 65, AE369A/FC1243 (QLA2462)4, 14, 18, 65; QLogic: QLE220-E-SP4, 18, 24, 25, 29, QLE2360-E-SP18, 22, 62, 67, 68, QLE2460-E-SP4, 14, 18, 22, 28, 65	FC-AL, FC-SW	Intel SSR212PP f	Y2, 27	See23	
324	IBM xSeries x3850/x366 (8863)42	Microsoft Windows 2003 [x86]: Enterprise Edition12 , Standard Edition12	PCI-X	IBM 19K1246 (QLA2310)14, 18, 19, 22, 28, 120	FC-AL, FC-SW	Intel SSR212PP f	Y2, 41		
325	IBM xSeries: x235, x255, x360, x365, x440	Microsoft Windows 2003 [x86]: Enterprise Edition12 , Standard Edition12	PCI-X	IBM: 19K1246 (QLA2310)14, 18, 19, 22, 28, 120, 24P0960 (QLA2340)14, 18, 19, 22, 28, 103	FC-AL, FC-SW	Intel SSR212PP f	Y2		
326	IBM xSeries: x235, x255, x360, x365, x440	Microsoft Windows 2003 [x86]: Enterprise Edition12 , Standard Edition12	PCI-X	IBM: 39M5894 (QLA2460)4, 18, 22, 65, 73, 39M5895 (QLA2462)4, 18, 22, 65, 73	FC-AL, FC-SW	Intel SSR212PP f	Y2, 27	See23	
327	NEC Express 5800: 110Rg-1, 120Lh, 120Re-1, 120Rg-2, 180Re-3	Microsoft Windows 2003 [x86]: Enterprise Edition12 , Standard Edition12	PCI-X	NEC N8190-120 (LP1050)3, 13, 18, 53, 55, 60, 61	FC-AL, FC-SW	Intel SSR212PP f	Y2		
328	NEC Express 5800: 120Li, 120Rg-1, 120Ri-2, 140Hf, 140Re-4	Microsoft Windows 2003 [x86]: Enterprise Edition12 , Standard Edition12	PCI-X	NEC N8190-120 (LP1050)3, 13, 18, 53, 55, 60, 61	FC-AL, FC-SW	Intel SSR212PP f	Y2, 27	See36	
329	NEC Express 5800: 120Rf-1, 120Rh-2	Microsoft Windows 2003 [x86]: Enterprise Edition12 , Standard Edition12	PCI-X	NEC N8190-120 (LP1050)3, 13, 18, 53, 55, 60, 61	FC-AL, FC-SW	Intel SSR212PP f	Y2, 27		
330	Digital Henge INNO: HR-4850, HR-6850; LangChao: NC3000, NC3500, NF500, NF520;	Microsoft Windows 2003 [x86]: Enterprise Edition12 , Standard Edition12	PCI-X	QLogic QLA2340-E-SP14, 18, 19, 28	FC-AL, FC-SW	Intel SSR212PP f	Y2, 27, 59	See23	
331	Samsung ZSS150 Fujitsu Siemens Primergy RX200	Microsoft Windows 2003 [x86]: Enterprise Edition12 , Standard Edition12	PCI-X	QLogic QLA2340-E-SP18, 19, 96	FC-AL, FC-SW	Intel SSR212PP f	Y2, 27	See23	
332	Digital Henge INNO: HR-4850, HR-6850; LangChao: NC3000, NC3500, NF500, NF520;	Microsoft Windows 2003 [x86]: Enterprise Edition12 , Standard Edition12	PCI-X	QLogic QLA2460-E-SP4, 14, 18, 22, 28, 65	FC-AL, FC-SW	Intel SSR212PP f	Y2, 27, 59	See23	
	Samsung ZSS150; Sun: x4100, x4200								

Microsoft Windows 2003 [x86]

No.	Host System	Operating System	Host Bus	Host Bus Adapter	Topology	Storage Array	External Boot	Comments
333	Sun: x4100, x4200	Microsoft Windows 2003 [x86]: Enterprise Edition12 , Standard Edition12	PCI-X	QLogic QLA2460-E-SP4, 18, 22, 28, 65	FC-AL, FC-SW	Intel SSR212PP f	Y2, 27	See23
334	Dell PowerEdge: 1600SC, 1650, 1750, 2600, 2650, 4600, 6600, 6650;	Microsoft Windows 2003 [x86]: Enterprise Edition12 , Standard Edition12	PCI-X	QLogic QLA2460-E-SP4, 18, 28, 65, 106	FC-AL, FC-SW	Intel SSR212PP f	Y2, 27	See23

	Sun: x4100, x4200								
335	Digital Henge INNO SH4500; HPQ Proliant: BL40p, DL360(G3)34, DL360(G4)34, DL56034, DL74034, DL760(G2)34, DL76034, ML570(G2)34; IBM xSeries: x235, x255, x360, x365, x440; LangChao: NC2000, NF420; Lenovo: ShenTeng R630, SureServer R630 6003, SureServer R630 6004, SureServer T630 6003, SureServer T630 6004; Samsung: SS210, SS3400, SS3440; Sun: V20z, V40z, x4100, x4200	Microsoft Windows 2003 [x86]: Enterprise Edition12, Standard Edition12	PCI-X	QLLogic: QLA200-E-SP18, 30, 33, 39, 77, 78, QLA210-E-SP4, 30, 31, 33	FC-AL, FC-SW	Intel SSR212PPf	Y2, 27	See23	
336	IBM xSeries x3850/x366 (8863)42	Microsoft Windows 2003 [x86]: Enterprise Edition12, Standard Edition12	PCI-X	QLLogic: QLA200-E-SP18, 30, 33, 31, 33, QLA2340-E-SP14, 18, 19, 28	FC-AL, FC-SW	Intel SSR212PPf	Y2, 27, 41	See23	
337	Dell PowerEdge: 1600SC, 1650, 1750, 2600, 2650, 2800, 2850, 4600, 6600, 6650, 6800, 6850	Microsoft Windows 2003 [x86]: Enterprise Edition12, Standard Edition12	PCI-X	QLLogic: QLA200-E-SP18, 30, 39, 79, QLA210-E-SP4, 30, 33, 35, QLA2340-E-SP10, 14, 18, 19	FC-AL, FC-SW	Intel SSR212PPf	Y2, 27	See23	
338	Digital Henge INNO: HR-4850, HR-6850, SH4500; Digital Henge SH4500R4; HPQ Proliant: BL40p, DL360(G3)34, DL360(G4)34, DL56034, DL74034, DL760(G2)34, DL76034, ML570(G2)34; IBM xSeries: x235, x255, x360, x365, x440; LangChao: NC2000, NC3000, NC3500, NF420, NF500, NF520; Lenovo: ShenTeng R630, SureServer R630 6003, SureServer R630 6004, SureServer T630 6003, SureServer T630 6004; Samsung: SS210, SS3400, SS3440, SS370, SS3840, ZSS150; Sun: V20z, V40z, x4100, x4200	Microsoft Windows 2003 [x86]: Enterprise Edition12, Standard Edition12	PCI-X	QLLogic: QLA2340-E-SP14, 18, 19, 28, QLA2460-E-SP4, 14, 18, 22, 28, 65	FC-AL, FC-SW	Intel SSR212PPf	Y2, 27	See23	
339	HPQ Proliant DL360(G4)34	Microsoft Windows 2003 [x86]: Enterprise Edition12, Standard Edition12	PCI-X	QLLogic: QLE220-E-SP4, 18, 24, 25, 29, QLE2360-E-SP18, 22, 62, 67, 68, QLE2460-E-SP4, 14, 18, 22, 28, 65	FC-AL, FC-SW	Intel SSR212PPf	Y2, 27, 41, Y2, 27, 59	See23	
340	IBM xSeries x3800/x260 (8865)42	Microsoft Windows 2003 [x86]: Enterprise Edition12, Standard Edition12	PCI-X105	Emulex: LP101-E3, 13, 18, 53, 60, LP1050-E3, 13, 18, 53, 60, 61, LP982-E3, 13, 18, 58, 60, 61	FC-AL, FC-SW	Intel SSR212PPf	Y2, 27, 41	See36	
341	IBM xSeries: x3800/x260 (8865)42, x3950/x3950E/x460 (8872, 8874)42	Microsoft Windows 2003 [x86]: Enterprise Edition12, Standard Edition12	PCI-X105	Emulex: LP101-E3, 13, 18, 53, 60, LP1050-E3, 13, 18, 53, 60, 61, LP982-E3, 13, 18, 58, 60, 61	FC-AL, FC-SW	Intel SSR212PPf	Y2, 27	See36	
342	IBM xSeries x3800/x260 (8865)42	Microsoft Windows 2003 [x86]: Enterprise Edition12, Standard Edition12	PCI-X105	IBM 19K1246 (QLA2310)14, 18, 19, 22, 28, 120	FC-AL, FC-SW	Intel SSR212PPf	Y2, 41		
343	IBM xSeries: x3800/x260 (8865)42, x3950/x3950E/x460 (8872, 8874)42	Microsoft Windows 2003 [x86]: Enterprise Edition12, Standard Edition12	PCI-X105	IBM: 19K1246 (QLA2310)14, 18, 19, 22, 28, 120, 24P0960 (QLA2340)14, 18, 19, 22, 28, 103	FC-AL, FC-SW	Intel SSR212PPf	Y2		
344	IBM xSeries x3800/x260 (8865)42	Microsoft Windows 2003 [x86]: Enterprise Edition12, Standard Edition12	PCI-X105	QLLogic QLA2340-E-SP14, 18, 19, 28	FC-AL, FC-SW	Intel SSR212PPf	Y2, 27, 41	See23	
345	IBM xSeries: x3800/x260 (8865)42, x3950/x3950E/x460 (8872, 8874)42	Microsoft Windows 2003 [x86]: Enterprise Edition12, Standard Edition12	PCI-X105	QLLogic QLA2340-E-SP14, 18, 19, 28	FC-AL, FC-SW	Intel SSR212PPf	Y2, 27	See23	
346	HPQ Proliant BL20p (G2)	Microsoft Windows 2003 [x86]: Enterprise Edition12, Standard Edition12	PCI-X48	HPQ Dual-port Fibre Channel Adapter for HP Proliant BL20p (G2) 300874-B2114, 18, 22, 28, 47	FC-AL, FC-SW	Intel SSR212PPf	Y2		
347	HPQ Proliant BL25p	Microsoft Windows 2003 [x86]: Enterprise Edition12, Standard Edition12	PCI-X48	HPQ Dual-port Fibre Channel Adapter for HP Proliant BL25p/BL45p 381881-B2114, 18, 22, 28, 102	FC-AL, FC-SW	Intel SSR212PPf	Y2		
348	HPQ Proliant BL30p	Microsoft Windows 2003 [x86]: Enterprise Edition12, Standard Edition12	PCI-X48	HPQ Dual-port Fibre Channel Adapter for HP Proliant BL30p/BL35p 354054-B2114, 18, 47	FC-AL, FC-SW	Intel SSR212PPf	Y2		
349	HPQ Proliant BL20p: (G3), (G4)	Microsoft Windows 2003 [x86]: Enterprise Edition12, Standard Edition12	PCI-X48	HPQ: Dual-port Fibre Channel Adapter for HP Proliant BL20p (G3) 361426-B2114, 18, 22, 28, 47, Emulex-based BL20p (G3) Fibre Channel Mezzanine HBA - 394757-B213, 13, 18, 51, 52, 53	FC-AL, FC-SW	Intel SSR212PPf	Y2		
350	Digital Henge Rev0: JS1400, JS2400	Microsoft Windows 2003 [x86]: Enterprise Edition12, Standard Edition12	PCI-X99	Emulex: LP101-E3, 13, 18, 53, 60, LP1050-E3, 13, 18, 53, 60, 61, LP1150-E3, 4, 13, 18, 53, 61, 75, LP982-E3, 13, 18, 58, 60, 61	FC-AL, FC-SW	Intel SSR212PPf	Y2, 27	See36	

Microsoft Windows 2003 [x86]								
No.	Host System	Operating System	Host Bus	Host Bus Adapter	Topology	Storage Array	External Boot	Comments
351	Digital Henge Rev0: JS1400, JS2400	Microsoft Windows 2003 [x86]: Enterprise Edition12 , Standard Edition12	PCI-X99	QLogic: QLA2340-E-SP14, 18, 19, 28, QLA2460-E-SP4, 14, 18, 22, 28, 65	FC-AL, FC-SW	Intel SSR212PPf	Y2, 27, Y2, 27, 59	See23
352	Dell PowerEdge 1955	Microsoft Windows 2003 [x86]: Enterprise Edition12 , Standard Edition12	PCI, PCI Express, PCI-X	Dell: 2342M10, 14, 18, 19, LPe1105-M3, 4, 5, 7, 13, QME24624, 8, 10, 14	FC-AL, FC-SW	Intel SSR212PPf	Y2	
353	HPQ Proliant DL380(G4)34	Microsoft Windows 2003 [x86]: Enterprise Edition12 , Standard Edition12	PCI, PCI Express, PCI-X	Emulex LP1050Ex-E3, 4, 13, 18, 53, 60, 61	FC-AL, FC-SW	Intel SSR212PPf	Y2, 27	See36
354	HPQ Proliant: DL380(G5), DL580(G4)	Microsoft Windows 2003 [x86]: Enterprise Edition12 , Standard Edition12	PCI, PCI Express, PCI-X	Emulex LP1150-E3, 4, 13, 18, 53, 61, 75	FC-AL, FC-SW	Intel SSR212PPf	Y2, 27	See36
355	Fujitsu Siemens Primergy TX200 S3; HPQ Proliant DL380(G4)34	Microsoft Windows 2003 [x86]: Enterprise Edition12 , Standard Edition12	PCI, PCI Express, PCI-X	Emulex LPe111-E3, 4, 13, 15, 18, 37	FC-AL, FC-SW	Intel SSR212PPf	Y2, 27	See36
356	Fujitsu Siemens Primergy TX200 S3	Microsoft Windows 2003 [x86]: Enterprise Edition12 , Standard Edition12	PCI, PCI Express, PCI-X	Emulex LPe1150-E3, 4, 18, 53, 83	FC-AL, FC-SW	Intel SSR212PPf	Y2, 27	See36
357	HPQ Proliant: DL380(G4)34, DL380(G5), DL580(G4)	Microsoft Windows 2003 [x86]: Enterprise Edition12 , Standard Edition12	PCI, PCI Express, PCI-X	Emulex LPe1150-E3, 4, 7, 13, 18, 53, 61	FC-AL, FC-SW	Intel SSR212PPf	Y2, 27	See36
358	HPQ Proliant: DL380(G5), DL580(G4)	Microsoft Windows 2003 [x86]: Enterprise Edition12 , Standard Edition12	PCI, PCI Express, PCI-X	Emulex LPe1150-E3, 4, 7, 13, 18, 53, 61	FC-AL, FC-SW	Intel SSR212PPf	Y2, 27, 59	See36
359	Fujitsu Siemens Primergy TX200 S3	Microsoft Windows 2003 [x86]: Enterprise Edition12 , Standard Edition12	PCI, PCI Express, PCI-X	Emulex: LPe111-E3, 4, 13, 15, 18, 37, LPe1150-E3, 4, 18, 53, 83	FC-AL, FC-SW	Intel SSR212PPf	Y2, 27, 59	See36
360	HPQ Proliant: DL380(G5), DL580(G4)	Microsoft Windows 2003 [x86]: Enterprise Edition12 , Standard Edition12	PCI, PCI Express, PCI-X	HPQ: A8002A/FC2142SR (LPe1150)3, 4, 7, 13, 53, 61, AD167A/FC2143 (LP1150)3, 4, 13, 53, 61, 112, AE311A/FC1142SR (QLE2460)4, 14, 18, 28, 65, 109	FC-AL, FC-SW	Intel SSR212PPf	Y2	
361	HPQ Proliant: DL380(G5), DL580(G4)	Microsoft Windows 2003 [x86]: Enterprise Edition12 , Standard Edition12	PCI, PCI Express, PCI-X	HPQ: A8002A/FC2142SR (LPe1150)3, 4, 7, 13, 53, 61, AE311A/FC1142SR (QLE2460)4, 14, 18, 28, 65, 109	FC-AL, FC-SW	Intel SSR212PPf	Y2, 59	
362	HPQ Proliant: DL380(G5), DL580(G4)	Microsoft Windows 2003 [x86]: Enterprise Edition12 , Standard Edition12	PCI, PCI Express, PCI-X	HPQ: AB429A/FC1143 (QLA2460)4, 14, 18, 65, AE369A/FC1243 (QLA2462)4, 14, 18, 65; QLogic QLA2460-E-SP4, 14, 18, 22, 28, 65	FC-AL, FC-SW	Intel SSR212PPf	Y2, 27	See23
363	HPQ Proliant DL580(G3)34	Microsoft Windows 2003 [x86]: Enterprise Edition12 , Standard Edition12	PCI, PCI Express, PCI-X	QLogic QLE220-E-SP4, 18, 24, 25, 29	FC-AL, FC-SW	Intel SSR212PPf	Y2, 27	See23
364	HPQ Proliant: DL380(G4)34, DL580(G3)34	Microsoft Windows 2003 [x86]: Enterprise Edition12 , Standard Edition12	PCI, PCI Express, PCI-X	QLogic QLE2360-E-SP18, 22, 62, 67, 68	FC-AL, FC-SW	Intel SSR212PPf	Y2, 27	See23
365	HPQ Proliant: DL380(G4)34, DL380(G5), DL580(G3)34, DL580(G4)	Microsoft Windows 2003 [x86]: Enterprise Edition12 , Standard Edition12	PCI, PCI Express, PCI-X	QLogic QLE2460-E-SP4, 14, 18, 22, 28, 65	FC-AL, FC-SW	Intel SSR212PPf	Y2, 27	See23
366	HPQ Proliant: DL380(G5), DL580(G3)34 , DL580(G4)	Microsoft Windows 2003 [x86]: Enterprise Edition12 , Standard Edition12	PCI, PCI Express, PCI-X	QLogic QLE2460-E-SP4, 14, 18, 22, 28, 65	FC-AL, FC-SW	Intel SSR212PPf	Y2, 27, 41, Y2, 27, 59	See23
367	HPQ Proliant DL580(G3)34	Microsoft Windows 2003 [x86]: Enterprise Edition12 , Standard Edition12	PCI, PCI Express, PCI-X	QLogic: QLE220-E-SP4, 18, 24, 25, 29, QLE2360-E-SP18, 22, 62, 67, 68	FC-AL, FC-SW	Intel SSR212PPf	Y2, 27, 41, Y2, 27, 59	See23
368	Fujitsu Siemens Primergy: RX600, TX600	Microsoft Windows 2003 [x86]: Enterprise Edition12 , Standard Edition12	PCI, PCI-X	Emulex LP1050-E3, 18, 53, 100	FC-AL, FC-SW	Intel SSR212PPf	Y2, 27	See36
369	HPQ Proliant: DL14534, DL380(G2)34 , DL380(G3)34, DL380(G4)34, DL38034 , DL38534, DL580(G2)34, DL580(G3)34 , DL58534, ML350(G3)34, ML370(G3)34 , ML370(G4)34; IBM: eServer 325 (Model 8835), xSeries x345 (8670), xSeries x445 (8870); Samsung SS140	Microsoft Windows 2003 [x86]: Enterprise Edition12 , Standard Edition12	PCI, PCI-X	Emulex: LP101-E3, 13, 18, 53, 60, LP1050-E3, 13, 18, 53, 60, 61, LP1150-E3, 4, 13, 18, 53, 61, 75, LP982-E3, 13, 18, 58, 60, 61	FC-AL, FC-SW	Intel SSR212PPf	Y2, 27	See36
370	Dell PowerEdge: 1800, 1850	Microsoft Windows 2003 [x86]: Enterprise Edition12 , Standard Edition12	PCI, PCI-X	Emulex: LP101-E3, 18, 53, 60, LP1050-E3, 18, 53, 60, 61, LP982-E3, 18, 58, 60, 61	FC-AL, FC-SW	Intel SSR212PPf	Y2, 27	See36
371	HPQ Proliant: DL14534, DL380(G2)34 , DL380(G3)34, DL380(G4)34, DL38034 , DL38534, DL580(G2)34, DL58534 , ML350(G3)34, ML370(G3)34, ML370(G4)34	Microsoft Windows 2003 [x86]: Enterprise Edition12 , Standard Edition12	PCI, PCI-X	HPQ: A7298A (LP982)3, 13, 18, 53, 60, 61, A7388A (LP1050)3, 13, 18, 53, 60, 61, AD167A/FC2143 (LP1150)3, 4, 13, 53, 61, 112, FCA2214 (QLA2340)14, 18, 19, 22, 28, FCA2408 (LP982)3, 4, 13, 18, 53, 60, 61	FC-AL, FC-SW	Intel SSR212PPf	Y2	

372	HPQ Proliant: DL380(G4)34, DL38534 , DL58534, ML370(G4)34	Microsoft Windows 2003 [x86]: Enterprise Edition12 , Standard Edition12	PCI, PCI-X	HPQ: AB429A/FC1143 (QLA2460)4, 14, 18, 65, AE369A/FC1243 (QLA2462)4, 14, 18, 65	FC-AL, FC-SW	Intel SSR212PPf	Y2, 27	See23
373	IBM: eServer 325 (Model 8835), xSeries x345 (8670), xSeries x445 (8870)	Microsoft Windows 2003 [x86]: Enterprise Edition12 , Standard Edition12	PCI, PCI-X	IBM 19K1246 (QLA2310)14, 18, 19, 22, 28, 120	FC-AL, FC-SW	Intel SSR212PPf	Y2	
374	IBM xSeries: x345 (8670), x445 (8870)	Microsoft Windows 2003 [x86]: Enterprise Edition12 , Standard Edition12	PCI, PCI-X	IBM 24P0960 (QLA2340)14, 18, 19, 22, 28, 103	FC-AL, FC-SW	Intel SSR212PPf	Y2	
Microsoft Windows 2003 [x86]								
No.	Host System	Operating System	Host Bus	Host Bus Adapter	Topology	Storage Array	External Boot	Comments
375	IBM: eServer 325 (Model 8835), xSeries x345 (8670), xSeries x445 (8870)	Microsoft Windows 2003 [x86]: Enterprise Edition12 , Standard Edition12	PCI, PCI-X	IBM: 39M5894 (QLA2460)4, 18, 22, 65, 73, 39M5895 (QLA2462)4, 18, 22, 65, 73	FC-AL, FC-SW	Intel SSR212PPf	Y2, 27	See23
376	Fujitsu Siemens Primergy: RX600, RX800, TX600	Microsoft Windows 2003 [x86]: Enterprise Edition12 , Standard Edition12	PCI, PCI-X	QLogic QLA2340-E-SP18, 19, 96	FC-AL, FC-SW	Intel SSR212PPf	Y2, 27	See23
377	HPQ Proliant: DL14534, DL380(G2)34 , DL380(G3)34, DL380(G4)34, DL38034 , DL38534, DL580(G2)34, DL580(G3)34 , DL58534, ML350(G3)34, ML370(G3)34 , ML370(G4)34; IBM: eServer 325 (Model 8835), xSeries x345 (8670), xSeries x445 (8870); Samsung SS140	Microsoft Windows 2003 [x86]: Enterprise Edition12 , Standard Edition12	PCI, PCI-X	QLogic: QLA200-E-SP18, 30, 33, 39, 77, 78, QLA210-E-SP4, 30, 31, 33, QLA2340-E-SP14, 18, 19, 28, QLA2460-E-SP4, 14, 18, 22, 28, 65	FC-AL, FC-SW	Intel SSR212PPf	Y2, 27	See23
378	Dell PowerEdge: 1800, 1850	Microsoft Windows 2003 [x86]: Enterprise Edition12 , Standard Edition12	PCI, PCI-X	QLogic: QLA200-E-SP18, 30, 39, 79, QLA210-E-SP4, 30, 33, 35, QLA2340-E-SP10, 14, 18, 19	FC-AL, FC-SW	Intel SSR212PPf	Y2, 27	See23
379	Unisys ES7000/460 [32-Bit]	Microsoft Windows 2003 [x86]: Enterprise Edition12 , Standard Edition12	PCI, PCI-X	Unisys FCH752313-PCX (LP1050)3, 100, 131	FC-AL, FC-SW	Intel SSR212PPf	Y2	
380	Bull NovaScale: 2021, 2040, 2320	Microsoft Windows 2003 [x86] Enterprise Edition: R21, SP1; Microsoft Windows 2003 [x86] Standard Edition: R21 , SP1	PCI-X	Bull 2Gbps FC Mezzanine Card - Dual port for NovaScale Blade Series CFSN202-110018, 20, 21, 22, 107	FC-SW	Intel SSR212PPf	Y2	
381	Bull NovaScale: 2021, 2320	Microsoft Windows 2003 [x86] Enterprise Edition: R21, SP1; Microsoft Windows 2003 [x86] Standard Edition: R21 , SP1	PCI-X	Bull: 2Gbps FC Mezzanine Card - Dual port mini for NovaScale Blade 2021 CFSN202-210018, 20, 21, 22, 107, SBFCM (SFF) Mezzanine HBA4, 18, 20, 21, 22, 107, SBFCM4 (SFF) 4Gb Mezzanine HBA4, 9, 18, 92, 110	FC-SW	Intel SSR212PPf	Y2	
382	Intel SBXD62 Blade Server	Microsoft Windows 2003 [x86] Enterprise Edition: R21, SP1; Microsoft Windows 2003 [x86] Standard Edition: R21 , SP1	PCI-X	Intel: SBFCM (SFF) Mezzanine HBA4, 9, 18, 82, 107, SBFCM4 (SFF) 4Gb Mezzanine HBA4, 9, 18, 92, 110	FC-SW	Intel SSR212PPf	Y2	
383	Digital Henge INNO: HR-4850, HR-6850	Microsoft Windows 2003 [x86] Enterprise Edition: R21, SP111; Microsoft Windows 2003 [x86] Standard Edition: R21 , SP111	PCI Express	Digital Henge Intel (r) Fibre Channel Module AHWFCMOD4, 18, 20, 21, 22, 69, 70	FC-SW	Intel SSR212PPf	Y2, 27, Y2, 27, 41, Y2, 27, 59	See23
384	Digital Henge INNO: HR-4850, HR-6850	Microsoft Windows 2003 [x86] Enterprise Edition: R21, SP111; Microsoft Windows 2003 [x86] Standard Edition: R21 , SP111	PCI Express	Digital Henge Intel (r) Fibre Channel Module AHWFCMOD4, 18, 20, 21, 22, 69, 70	FC-SW	Intel SSR212PPf	Y2, 27, Y2, 27, 59	See36
385	Samsung: ZSS230, ZSS230D	Microsoft Windows 2003 [x86] Enterprise Edition: R21, SP111; Microsoft Windows 2003 [x86] Standard Edition: R21 , SP111	PCI Express	Samsung Intel (r) Fibre Channel Module AHWFCMOD4, 18, 20, 21, 22, 69, 70	FC-SW	Intel SSR212PPf	Y2, 27, Y2, 27, 41, Y2, 27, 59	See23
386	Samsung: ZSS230, ZSS230D	Microsoft Windows 2003 [x86] Enterprise Edition: R21, SP111; Microsoft Windows 2003 [x86] Standard Edition: R21 , SP111	PCI Express	Samsung Intel (r) Fibre Channel Module AHWFCMOD4, 18, 20, 21, 22, 69, 70	FC-SW	Intel SSR212PPf	Y2, 27, Y2, 27, 59	See36

Intel® Storage System SSR212PP-Series

Microsoft Windows 2003 [x86]

387	Digital Henge INNO: HR-4850T, HR-6850T; Intel: SR4850HW4-M/SR6850HW4-M, SR4850HW4/SR6850HW4; Lenovo SureServer: R630 G5, R650, R650 G5, T650	Microsoft Windows 2003 [x86] Enterprise Edition: R21, SP111; Microsoft Windows 2003 [x86] Standard Edition: R21, SP111	PCI Express, PCI-X	Digital Henge Intel (r) Fibre Channel Module AHWFCMOD4, 18, 20, 21, 22, 69, 70	FC-SW	Intel SSR212PPf	Y2, 27, Y2, 27, 41, Y2, 27, 59	See23
388	Digital Henge INNO: HR-4850T, HR-6850T; Intel: SR4850HW4-M/SR6850HW4-M, SR4850HW4/SR6850HW4; Lenovo SureServer: R630 G5, R650, R650 G5, T650	Microsoft Windows 2003 [x86] Enterprise Edition: R21, SP111; Microsoft Windows 2003 [x86] Standard Edition: R21, SP111	PCI Express, PCI-X	Digital Henge Intel (r) Fibre Channel Module AHWFCMOD4, 18, 20, 21, 22, 69, 70	FC-SW	Intel SSR212PPf	Y2, 27, Y2, 27, 59	See36
389	Digital Henge INNO: HR-4850, HR-6850	Microsoft Windows 2003 [x86] Enterprise Edition: R21, SP111; Microsoft Windows 2003 [x86] Standard Edition: R21, SP111	PCI-X	Digital Henge Intel (r) Fibre Channel Module AHWFCMOD4, 18, 20, 21, 22, 69, 70	FC-SW	Intel SSR212PPf	Y2, 27	See36

Microsoft Windows 2003 [x86]

No.	Host System	Operating System	Host Bus	Host Bus Adapter	Topology	Storage Array	External Boot	Comments
390	Digital Henge INNO: HR-4850, HR-6850	Microsoft Windows 2003 [x86] Enterprise Edition: R21, SP111; Microsoft Windows 2003 [x86] Standard Edition: R21, SP111	PCI-X	Digital Henge Intel (r) Fibre Channel Module AHWFCMOD4, 18, 20, 21, 22, 69, 70	FC-SW	Intel SSR212PPf	Y2, 27, Y2, 27, 59	See23
391	IBM BladeCenter HS20 (Model: 7981), 8843; IBM BladeCenter HS21 (Model: 8853)86, 87, 8853)87; IBM BladeCenter: LS20 (Model 8850), LS21 (Model 7971)86, LS41 (Model 7972)86	Microsoft Windows 2003 [x86] Enterprise Edition: R21, SP111; Microsoft Windows 2003 [x86] Standard Edition: R21, SP111	PCI-X	IBM Emulex 4Gb SFF Fibre Channel Exp Card (39Y9186)4, 16, 75, 85	FC-SW	Intel SSR212PPf	Y2, 88	See17
392	IBM BladeCenter HS20 (Model: 7981), 8678)17, 8832)17, 8832-N1X), 8843); IBM BladeCenter HS40 (Model 8839)	Microsoft Windows 2003 [x86] Enterprise Edition: R21, SP111; Microsoft Windows 2003 [x86] Standard Edition: R21, SP111	PCI-X	IBM Emulex LP1005DC FC Exp Card3, 4, 18, 49, 50, 61, 84	FC-SW	Intel SSR212PPf	Y2	See17
393	IBM BladeCenter HS20 (Model: 7981), 8678)17, 8832)17, 8843); IBM BladeCenter: HS40 (Model 8839), LS20 (Model 8850)	Microsoft Windows 2003 [x86] Enterprise Edition: R21, SP111; Microsoft Windows 2003 [x86] Standard Edition: R21, SP111	PCI-X	IBM HS20 4GB Standard FC Exp Card (26R0884)4, 20, 21, 22, 92	FC-SW	Intel SSR212PPf	Y2	See17
394	IBM BladeCenter HS20 (Model: 8678)17, 8832)17, 8832-N1X); IBM BladeCenter HS40 (Model 8839)	Microsoft Windows 2003 [x86] Enterprise Edition: R21, SP111; Microsoft Windows 2003 [x86] Standard Edition: R21, SP111	PCI-X	IBM HS20 FC Exp Card (13N2203)18, 19, 20, 21, 22, 90, 91	FC-SW	Intel SSR212PPf	Y2	See17
395	IBM BladeCenter HS20 (Model 7981)	Microsoft Windows 2003 [x86] Enterprise Edition: R21, SP111; Microsoft Windows 2003 [x86] Standard Edition: R21, SP111	PCI-X	IBM HS20 FC Exp Card (13N2203)18, 19, 20, 22, 90, 91, 101	FC-SW	Intel SSR212PPf	Y2	See17
396	IBM BladeCenter HS20 (Model: 7981), 8843)	Microsoft Windows 2003 [x86] Enterprise Edition: R21, SP111; Microsoft Windows 2003 [x86] Standard Edition: R21, SP111	PCI-X	IBM HS20 FC Exp Card (13N2203)19, 20, 22, 101	FC-SW	Intel SSR212PPf	Y2	See17
397	IBM BladeCenter HS20 (Model: 7981), 8678)17, 8832)17, 8843); IBM BladeCenter HS40 (Model 8839)	Microsoft Windows 2003 [x86] Enterprise Edition: R21, SP111; Microsoft Windows 2003 [x86] Standard Edition: R21, SP111	PCI-X	IBM HS20 FC Exp Card (48P7061)4, 18, 19, 20, 21, 22	FC-SW	Intel SSR212PPf	Y2	See17
398	IBM BladeCenter HS20 (Model: 7981), 8843); IBM BladeCenter: HS21 (Model 8853)86, 87, LS20 (Model 8850), LS21 (Model 7971)86, LS41 (Model 7972)86	Microsoft Windows 2003 [x86] Enterprise Edition: R21, SP111; Microsoft Windows 2003 [x86] Standard Edition: R21, SP111	PCI-X	IBM HS20: 4GB SFF FC Exp Card (26R0890)4, 20, 21, 22, 92, FC Exp Card (26K4841)18, 19, 20, 21, 22, 89, 90, 91	FC-SW	Intel SSR212PPf	Y2	See17
399	Bull NovaScale: 2021, 2040, 2320	Microsoft Windows 2003 [x86]: Enterprise Edition, Standard Edition	PCI-X	Bull 2Gbps FC Mezzanine Card - Dual port for NovaScale Blade Series CFSN202-110014, 18, 22, 28, 107	FC-SW	Intel SSR212PPf	Y2	
400	Bull NovaScale: 2021, 2320	Microsoft Windows 2003 [x86]: Enterprise Edition, Standard Edition	PCI-X	Bull: 2Gbps FC Mezzanine Card - Dual port mini for NovaScale Blade 2021 CFSN202-210014, 18, 22, 28, 107, SBFCM (SFF) Mezzanine HBA4, 14, 18, 22, 28, 107, SBFCM4 (SFF) 4Gb	FC-SW	Intel SSR212PPf	Y2	

				Mezzanine HBA4, 14, 18, 92, 110				
401	Intel SBXD62 Blade Server	Microsoft Windows 2003 [x86]: Enterprise Edition, Standard Edition	PCI-X	Intel: SBEFCM (SFF) Mezzanine HBA4, 14, 18, 28, 107, SBEFCM4 (SFF) 4Gb Mezzanine HBA4, 14, 18, 92, 110	FC-SW	Intel SSR212PPf	Y2	
402	Digital Henge INNO: HR-4850, HR-6850	Microsoft Windows 2003 [x86]: Enterprise Edition12, Standard Edition12	PCI Express	Digital Henge Intel (r) Fibre Channel Module AHWFCMOD4, 14, 18, 22, 28, 69, 70	FC-SW	Intel SSR212PPf	Y2, 27, Y2, 27, 41, Y2, 27, 59	See23
403	Digital Henge INNO: HR-4850, HR-6850	Microsoft Windows 2003 [x86]: Enterprise Edition12, Standard Edition12	PCI Express	Digital Henge Intel (r) Fibre Channel Module AHWFCMOD4, 14, 18, 22, 28, 69, 70	FC-SW	Intel SSR212PPf	Y2, 27, Y2, 27, 59	See36
404	Samsung: ZSS230, ZSS230D	Microsoft Windows 2003 [x86]: Enterprise Edition12, Standard Edition12	PCI Express	Samsung Intel (r) Fibre Channel Module AHWFCMOD4, 14, 18, 22, 28, 69, 70	FC-SW	Intel SSR212PPf	Y2, 27, Y2, 27, 41, Y2, 27, 59	See23
405	Samsung: ZSS230, ZSS230D	Microsoft Windows 2003 [x86]: Enterprise Edition12, Standard Edition12	PCI Express	Samsung Intel (r) Fibre Channel Module AHWFCMOD4, 14, 18, 22, 28, 69, 70	FC-SW	Intel SSR212PPf	Y2, 27, Y2, 27, 59	See36
406	Digital Henge INNO: HR-4850T, HR-6850T; Intel: SR4850HW4-M/SR6850HW4-M, SR4850HW4/SR6850HW4; Lenovo SureServer: R630 G5, R650, R650 G5, T650	Microsoft Windows 2003 [x86]: Enterprise Edition12, Standard Edition12	PCI Express, PCI-X	Digital Henge Intel (r) Fibre Channel Module AHWFCMOD4, 14, 18, 22, 28, 69, 70	FC-SW	Intel SSR212PPf	Y2, 27, Y2, 27, 41, Y2, 27, 59	See23

Microsoft Windows 2003 [x86]

No.	Host System	Operating System	Host Bus	Host Bus Adapter	Topology	Storage Array	External Boot	Comments
407	Digital Henge INNO: HR-4850T, HR-6850T; Intel: SR4850HW4-M/SR6850HW4-M, SR4850HW4/SR6850HW4; Lenovo SureServer: R630 G5, R650, R650 G5, T650	Microsoft Windows 2003 [x86]: Enterprise Edition12, Standard Edition12	PCI Express, PCI-X	Digital Henge Intel (r) Fibre Channel Module AHWFCMOD4, 14, 18, 22, 28, 69, 70	FC-SW	Intel SSR212PPf	Y2, 27, Y2, 27, 59	See36
408	Digital Henge INNO: HR-4850, HR-6850	Microsoft Windows 2003 [x86]: Enterprise Edition12, Standard Edition12	PCI-X	Digital Henge Intel (r) Fibre Channel Module AHWFCMOD4, 14, 18, 22, 28, 69, 70	FC-SW	Intel SSR212PPf	Y2, 27	See36
409	Digital Henge INNO: HR-4850, HR-6850	Microsoft Windows 2003 [x86]: Enterprise Edition12, Standard Edition12	PCI-X	Digital Henge Intel (r) Fibre Channel Module AHWFCMOD4, 14, 18, 22, 28, 69, 70	FC-SW	Intel SSR212PPf	Y2, 27, Y2, 27, 59	See23
410	IBM BladeCenter HS20 (Model: 7981), 8843); IBM BladeCenter HS21 (Model: 8853)86, 87, 8853)87; IBM BladeCenter: LS20 (Model 8850), LS21 (Model 7971)86, LS41 (Model 7972)86	Microsoft Windows 2003 [x86]: Enterprise Edition12, Standard Edition12	PCI-X	IBM Emulex 4Gb SFF Fibre Channel Exp Card (39Y9186)4, 57, 75, 85	FC-SW	Intel SSR212PPf	Y2, 88	See17
411	IBM BladeCenter HS20 (Model: 7981), 8678)17, 8832)17, 8832-N1X), 8843); IBM BladeCenter HS40 (Model 8839)	Microsoft Windows 2003 [x86]: Enterprise Edition12, Standard Edition12	PCI-X	IBM Emulex LP1005DC FC Exp Card3, 4, 13, 18, 53, 61, 84	FC-SW	Intel SSR212PPf	Y2	See17
412	IBM BladeCenter HS20 (Model: 7981), 8678)17, 8832)17, 8843); IBM BladeCenter: HS40 (Model 8839), LS20 (Model 8850)	Microsoft Windows 2003 [x86]: Enterprise Edition12, Standard Edition12	PCI-X	IBM HS20 4GB Standard FC Exp Card (26R0884)4, 14, 22, 28, 92	FC-SW	Intel SSR212PPf	Y2	See17
413	IBM BladeCenter HS20 (Model: 8678)17, 8832)17, 8832-N1X); IBM BladeCenter HS40 (Model 8839)	Microsoft Windows 2003 [x86]: Enterprise Edition12, Standard Edition12	PCI-X	IBM HS20 FC Exp Card (13N2203)14, 18, 19, 22, 28, 90, 91	FC-SW	Intel SSR212PPf	Y2	See17
414	IBM BladeCenter HS20 (Model 7981)	Microsoft Windows 2003 [x86]: Enterprise Edition12, Standard Edition12	PCI-X	IBM HS20 FC Exp Card (13N2203)14, 18, 19, 22, 90, 91, 114	FC-SW	Intel SSR212PPf	Y2	See17
415	IBM BladeCenter HS20 (Model: 7981), 8843)	Microsoft Windows 2003 [x86]: Enterprise Edition12, Standard Edition12	PCI-X	IBM HS20 FC Exp Card (13N2203)14, 19, 22, 114	FC-SW	Intel SSR212PPf	Y2	See17
416	IBM BladeCenter HS20 (Model: 7981), 8678)17, 8832)17, 8843); IBM BladeCenter HS40 (Model 8839)	Microsoft Windows 2003 [x86]: Enterprise Edition12, Standard Edition12	PCI-X	IBM HS20 FC Exp Card (48P7061)4, 14, 18, 19, 22, 28	FC-SW	Intel SSR212PPf	Y2	See17
417	IBM BladeCenter HS20 (Model: 7981), 8843); IBM BladeCenter: HS21 (Model 8853)86, 87, LS20 (Model 8850), LS21 (Model 7971)86, LS41 (Model 7972)86	Microsoft Windows 2003 [x86]: Enterprise Edition12, Standard Edition12	PCI-X	IBM HS20: 4GB SFF FC Exp Card (26R0890)4, 14, 22, 28, 92, FC Exp Card (26K4841)14, 18, 19, 22, 28, 89, 90, 91	FC-SW	Intel SSR212PPf	Y2	See17

1. VDS (Virtual Disk Service) is currently supported for Windows 2003 R2 operating systems. EMC Solutions Enabler 6.2 (minimum version) is required to support VDS for Windows 2003 R2.
2. Powerpath is supported in boot from SAN configurations for Windows 2003 systems running STORPort drivers (QLogic & Emulex). Windows 2003 servers using STORPort drivers require a Microsoft STORPort hotfix installed to boot with Powerpath. Please see your driver's requirements for the STORPort hotfix (QFE) version.
3. BIOS 1.70a3
4. SNIA HBA API Supported.
5. Driver Version 2.40a3 END OF LIFE NOTICE: SCSI miniport and SCSI full port drivers are frozen and EOL at this time for Windows 2003 operating systems. EMC recommends migrating to the currently supported STORPort driver for your HBA. EMC will continue to support existing customers who have Windows 2003 SCSI drivers installed, but any fixes or HCL support will require an upgrade to STORPort. Refer to SalesAdvantage articles for the benefits of using STORPort drivers and information on migrating from SCSI to STOR under Windows 2003. SCSI drivers listed in the April 2006 ESM will be the last supported SCSI drivers for Windows 2003.
6. Driver Version 1.20a3 Requires Microsoft STORPort hotfix Q916048. Please see [http://support.microsoft.com/default.aspx?scid=kb;\[LN\];916048](http://support.microsoft.com/default.aspx?scid=kb;[LN];916048). NOTE: Hotfix Q916048 currently requires Service Pack 1 (SP1) to be installed before the hotfix can be installed. STORPort Miniport Driver
7. Firmware Version 2.50a6
8. BIOS 1.11
9. Driver Version 9.1.2.16 Requires Microsoft STORPort hotfix Q916048. Please see [http://support.microsoft.com/default.aspx?scid=kb;\[LN\];916048](http://support.microsoft.com/default.aspx?scid=kb;[LN];916048). NOTE: Hotfix Q916048 currently requires Service Pack 1 (SP1) to be installed before the hotfix can be installed. STORPort Miniport Driver
10. Driver Version 9.1.2.11 END OF LIFE NOTICE: SCSI miniport and SCSI full port drivers are frozen and EOL at this time for Windows 2003 operating systems. EMC recommends migrating to the currently supported STORPort driver for your HBA. EMC will continue to support existing customers who have Windows 2003 SCSI drivers installed, but any fixes or HCL support will require an upgrade to STORPort. Refer to SalesAdvantage articles for the benefits of using STORPort drivers and information on migrating from SCSI to STOR under Windows 2003. SCSI drivers listed in the April 2006 ESM will be the last supported SCSI drivers for Windows 2003. SCSI Miniport (SCSIPort) Driver. EMC recommends using STORPort drivers where available. This driver requires Microsoft SCSIPort hotfix Q883114. Please see [http://support.microsoft.com/default.aspx?scid=kb;\[LN\];883114](http://support.microsoft.com/default.aspx?scid=kb;[LN];883114)
11. Supports LUNs greater than 2TB in size. Minimum Service Pack 1 (SP1) required.
12. Maximum supported LUN size is 2TB for Windows 2003 without Service Pack 1 (SP1.)
13. Driver Version 1.20a3 STORPort Miniport Driver Requires Microsoft STORPort hotfix Q908980. Please see [http://support.microsoft.com/default.aspx?scid=kb;\[LN\];908980](http://support.microsoft.com/default.aspx?scid=kb;[LN];908980)
14. Driver Version 9.1.2.16 STORPort Miniport Driver Requires Microsoft STORPort hotfix Q908980. Please see [http://support.microsoft.com/default.aspx?scid=kb;\[LN\];908980](http://support.microsoft.com/default.aspx?scid=kb;[LN];908980)
15. Firmware Version 2.50a8
16. Driver Version 1.20a3
17. EMC VolumeLogix Software required for multiple BladeServers when direct-attached to EMC Symmetrix storage.
18. EMC recommends upgrading to the most recent, EMC-Approved, HBA driver.
19. BIOS 1.47
20. Driver Version 9.1.2.16 STORPort Miniport Driver
21. Driver Version 9.1.2.15 STORPort Miniport Driver
22. Driver Version 9.1.2.11 END OF LIFE NOTICE: SCSI miniport and SCSI full port drivers are frozen and EOL at this time for Windows 2003 operating systems. EMC recommends migrating to the currently supported STORPort driver for your HBA. EMC will continue to support existing customers who have Windows 2003 SCSI drivers installed, but any fixes or HCL support will require an upgrade to STORPort. Refer to SalesAdvantage articles for the benefits of using STORPort drivers and information on migrating from SCSI to STOR under Windows 2003. SCSI drivers listed in the April 2006 ESM will be the last supported SCSI drivers for Windows 2003. SCSI Miniport (SCSIPort) Driver. EMC recommends using STORPort drivers where available.
23. EMC provides in-depth documentation for configurations with QLogic HBAs that contains helpful information for installing and configuring QLogic HBAs with EMC Storage. This documentation is located in the EMC section of the QLogic website (<http://www.qlogic.com>) along with HBA drivers, and BIOS.
24. BIOS 1.02
25. Driver Version 9.1.2.14 END OF LIFE NOTICE: SCSI miniport and SCSI full port drivers are frozen and EOL at this time for Windows 2003 operating systems. EMC recommends migrating to the currently supported STORPort driver for your HBA. EMC will continue to support existing customers who have Windows 2003 SCSI drivers installed, but any fixes or HCL support will require an upgrade to STORPort. Refer to SalesAdvantage articles for the benefits of using STORPort drivers and information on migrating from SCSI to STOR under Windows 2003. SCSI drivers listed in the April 2006 ESM will be the last supported SCSI drivers for Windows 2003. SCSI Miniport (SCSIPort) Driver. EMC recommends using STORPort drivers where available. This driver requires Microsoft SCSIPort hotfix Q883114. Please see [http://support.microsoft.com/default.aspx?scid=kb;\[LN\];883114](http://support.microsoft.com/default.aspx?scid=kb;[LN];883114)
26. Driver Version 9.1.2.19 Requires Microsoft STORPort hotfix Q916048. Please see [http://support.microsoft.com/default.aspx?scid=kb;\[LN\];916048](http://support.microsoft.com/default.aspx?scid=kb;[LN];916048). NOTE: Hotfix Q916048 currently requires Service Pack 1 (SP1) to be installed before the hotfix can be installed. STORPort Miniport Driver
27. EMC provides documentation for boot configurations that contains helpful information for systems booting from EMC storage. Visit EMC Powerlink and download part number 300-000-603 for the Windows Host Connectivity Guide.
28. Driver Version 9.1.2.15 STORPort Miniport Driver Requires Microsoft STORPort hotfix Q908980. Please see [http://support.microsoft.com/default.aspx?scid=kb;\[LN\];908980](http://support.microsoft.com/default.aspx?scid=kb;[LN];908980)
29. Driver Version 9.1.2.19 STORPort Miniport Driver Requires Microsoft STORPort hotfix Q908980. Please see [http://support.microsoft.com/default.aspx?scid=kb;\[LN\];908980](http://support.microsoft.com/default.aspx?scid=kb;[LN];908980)
30. BIOS 1.23
31. Driver Version 9.1.2.11 Minimum supported driver due to compatibility reasons. SCSI Miniport (SCSIPort) Driver
32. Driver Version 9.1.2.16 Minimum supported driver due to compatibility reasons. STORPort Miniport Driver
33. Driver Version 9.1.2.16 Minimum supported driver due to compatibility reasons. STORPort Miniport Driver Requires Microsoft STORPort hotfix Q908980. Please see [http://support.microsoft.com/default.aspx?scid=kb;\[LN\];908980](http://support.microsoft.com/default.aspx?scid=kb;[LN];908980)
34. HPQ (Compaq) Proliant server models that are not listed in the ESM but are only differentiated from supported models by an "R" designator, are rack-mountable servers and are supported.
35. Driver Version 9.1.2.11 Minimum supported driver due to compatibility reasons. This driver requires Microsoft SCSIPort hotfix Q883114. Please see [http://support.microsoft.com/default.aspx?scid=kb;\[LN\];883114](http://support.microsoft.com/default.aspx?scid=kb;[LN];883114) SCSI Miniport (SCSIPort) Driver
36. EMC provides in-depth documentation for configurations with Emulex HBAs that contains helpful information for installing and configuring Emulex HBAs with EMC Storage. Visit the EMC driver page on the Emulex website (<http://www.emulex.com/ts/docoem/emc/index.html>) and download part number 300-001-157 for guide "EMC Fibre Channel with Emulex Host Bus Adapters in the Windows Environment."
37. Driver Version 2.40a3 END OF LIFE NOTICE: SCSI miniport and SCSI full port drivers are frozen and EOL at this time for Windows 2003 operating systems. EMC recommends migrating to the currently supported STORPort driver for your HBA. EMC will continue to support existing customers who have Windows 2003 SCSI drivers installed, but any fixes or HCL support will require an upgrade to STORPort. Refer to SalesAdvantage articles for the benefits of using STORPort drivers and information on migrating from SCSI to STOR under Windows 2003. SCSI drivers listed in the April 2006 ESM will be the last supported SCSI drivers for Windows 2003. SCSI FC Port driver As of 2.40a2 Microsoft will no longer allow the Emulex Port Driver to be used in any HCT LOGO solution or block submissions. The Port driver is still digitally signed, but STORPort drivers will be required for all new HCT LOGO solution and block submissions. SCSI FC Port driver. EMC recommends using STORPort drivers where available.
38. Supports Stratus OS 3.1.x.
39. Driver Version 9.1.2.15 Minimum supported driver due to compatibility reasons. STORPort Miniport Driver Requires Microsoft STORPort hotfix Q908980. Please see [http://support.microsoft.com/default.aspx?scid=kb;\[LN\];908980](http://support.microsoft.com/default.aspx?scid=kb;[LN];908980)

40. PowerEdge 2550 and PowerVault 775N support a maximum of 2 Emulex HBAs at one time and the total PCI power cannot exceed 20 Watts.
41. When booting from an external storage array, press F1 during server POST and set BIOS Start Options to point to the bus slot containing the SAN boot adapter (Default is Planar SCSI.)
42. Support for 4Gb fibre channel HBAs requires an IBM SPORE to be submitted to IBM.
43. Requires Stratus OS 3.1
44. Driver Version 9.1.2.15 Requires Microsoft STORPort hotfix Q916048. Please see [http://support.microsoft.com/default.aspx?scid=kb;\[LN\];916048](http://support.microsoft.com/default.aspx?scid=kb;[LN];916048). NOTE: Hotfix Q916048 currently requires Service Pack 1 (SP1) to be installed before the hotfix can be installed. Minimum supported driver due to compatibility reasons. STORPort Miniport Driver
45. 4GB HBAs are not supported in this server. RPQs for 4GB HBAs will not be approved for this server.
46. Supports Stratus OS 4.1 FTSSS Release
47. BIOS 1.45
48. Dual port PCI-X fibre channel mezzanine card option is embedded. No PCI/PCI-X slots available.
49. Driver Version 1.11a3 STORPort Miniport Driver
50. Driver Version 1.20a3 STORPort Miniport Driver
51. Firmware Version 1.91a2
52. Driver Version 2.40a3 END OF LIFE NOTICE: SCSI miniport and SCSI full port drivers are frozen and EOL at this time for Windows 2003 operating systems. EMC recommends migrating to the currently supported STORPort driver for your HBA. EMC will continue to support existing customers who have Windows 2003 SCSI drivers installed, but any fixes or HCL support will require an upgrade to STORPort. Refer to SalesAdvantage articles for the benefits of using STORPort drivers and information on migrating from SCSI to STOR under Windows 2003. SCSI drivers listed in the April 2006 ESM will be the last supported SCSI drivers for Windows 2003. STORPort Miniport Driver
53. Driver Version 1.11a3 STORPort Miniport Driver Requires Microsoft STORPort hotfix Q908980. Please see [http://support.microsoft.com/default.aspx?scid=kb;\[LN\];908980](http://support.microsoft.com/default.aspx?scid=kb;[LN];908980)
54. EMC does not support booting from external arrays if the boot LUN uses a FAT32 file system and Powerpath is installed. For Powerpath/Boot support, NTFS must be used.
55. EMC supported drivers, firmware, and boot BIOS can be downloaded from <http://www.emulex.com> in the EMC section, by obtaining the supported driver for the Emulex LP1050-E.
56. Driver Version 1.11a3 Requires Microsoft STORPort hotfix Q916048. Please see [http://support.microsoft.com/default.aspx?scid=kb;\[LN\];916048](http://support.microsoft.com/default.aspx?scid=kb;[LN];916048). NOTE: Hotfix Q916048 currently requires Service Pack 1 (SP1) to be installed before the hotfix can be installed. STORPort Miniport Driver
57. Driver Version 1.20a3 Requires Microsoft STORPort hotfix Q908980. Please see [http://support.microsoft.com/default.aspx?scid=kb;\[LN\];908980](http://support.microsoft.com/default.aspx?scid=kb;[LN];908980)
58. Driver Version 1.11a3 Requires Microsoft STORPort hotfix Q908980. Please see [http://support.microsoft.com/default.aspx?scid=kb;\[LN\];908980](http://support.microsoft.com/default.aspx?scid=kb;[LN];908980)
59. Legacy (x86) boot mode supported only for this server. EFI boot is not supported. EFI boot code should be removed from the HBA if installed.
60. Firmware Version 1.91a5
61. Driver Version 2.40a3 END OF LIFE NOTICE: SCSI miniport and SCSI full port drivers are frozen and EOL at this time for Windows 2003 operating systems. EMC recommends migrating to the currently supported STORPort driver for your HBA. EMC will continue to support existing customers who have Windows 2003 SCSI drivers installed, but any fixes or HCL support will require an upgrade to STORPort. Refer to SalesAdvantage articles for the benefits of using STORPort drivers and information on migrating from SCSI to STOR under Windows 2003. SCSI drivers listed in the April 2006 ESM will be the last supported SCSI drivers for Windows 2003. As of 2.40a2 Microsoft will no longer allow the Emulex Port Driver to be used in any HCT LOGO solution or block submissions. The Port driver is still digitally signed, but STORPort drivers will be required for all new HCT LOGO solution and block submissions. SCSI FC Port driver. EMC recommends using STORPort drivers where available.
62. BIOS 1.05
63. Driver Version 9.1.2.15 EMC recommends upgrading to the most recent, EMC-Approved, HBA driver.
64. Driver Version 9.1.2.16 EMC recommends upgrading to the most recent, EMC-Approved, HBA driver.
65. BIOS 1.08
66. Driver Version 1.11a3
67. Driver Version 9.1.2.16 EMC recommends upgrading to the most recent, EMC-Approved, HBA driver. Requires Microsoft STORPort hotfix Q908980. Please see [http://support.microsoft.com/default.aspx?scid=kb;\[LN\];908980](http://support.microsoft.com/default.aspx?scid=kb;[LN];908980)
68. Driver Version 9.1.2.15 EMC recommends upgrading to the most recent, EMC-Approved, HBA driver. Requires Microsoft STORPort hotfix Q908980. Please see [http://support.microsoft.com/default.aspx?scid=kb;\[LN\];908980](http://support.microsoft.com/default.aspx?scid=kb;[LN];908980)
69. This dual port HBA is only supported on DELL PE 6850 in the right-most slot (seen from the rear of the server chassis) marked "FC"
70. BIOS 1.06
71. Driver Version 9.1.2.14
72. BIOS 1.16
73. Driver Version 9.1.2.16 If using EFI boot driver for external boot, use QLogic EFI Boot code version 1.40. Available at <http://www.qlogic.com> STORPort Miniport Driver Requires Microsoft STORPort hotfix Q908980. Please see [http://support.microsoft.com/default.aspx?scid=kb;\[LN\];908980](http://support.microsoft.com/default.aspx?scid=kb;[LN];908980)
74. Driver Version 9.1.2.16 If using EFI boot driver for external boot, use QLogic EFI Boot code version 1.40. Available at <http://www.qlogic.com> Requires Microsoft STORPort hotfix Q916048. Please see [http://support.microsoft.com/default.aspx?scid=kb;\[LN\];916048](http://support.microsoft.com/default.aspx?scid=kb;[LN];916048). NOTE: Hotfix Q916048 currently requires Service Pack 1 (SP1) to be installed before the hotfix can be installed. STORPort Miniport Driver
75. Firmware Version 2.10a10
76. Driver Version 9.1.2.15 Minimum supported driver due to compatibility reasons. STORPort Miniport Driver
77. Driver Version 9.1.2.10 Minimum supported driver due to compatibility reasons. END OF LIFE NOTICE: SCSI miniport and SCSI full port drivers are frozen and EOL at this time for Windows 2003 operating systems. EMC recommends migrating to the currently supported STORPort driver for your HBA. EMC will continue to support existing customers who have Windows 2003 SCSI drivers installed, but any fixes or HCL support will require an upgrade to STORPort. Refer to SalesAdvantage articles for the benefits of using STORPort drivers and information on migrating from SCSI to STOR under Windows 2003. SCSI drivers listed in the April 2006 ESM will be the last supported SCSI drivers for Windows 2003. SCSI Miniport (SCSIPort) Driver. EMC recommends using STORPort drivers where available.
78. Driver Version 9.1.2.11 Minimum supported driver due to compatibility reasons. END OF LIFE NOTICE: SCSI miniport and SCSI full port drivers are frozen and EOL at this time for Windows 2003 operating systems. EMC recommends migrating to the currently supported STORPort driver for your HBA. EMC will continue to support existing customers who have Windows 2003 SCSI drivers installed, but any fixes or HCL support will require an upgrade to STORPort. Refer to SalesAdvantage articles for the benefits of using STORPort drivers and information on migrating from SCSI to STOR under Windows 2003. SCSI drivers listed in the April 2006 ESM will be the last supported SCSI drivers for Windows 2003. SCSI Miniport (SCSIPort) Driver. EMC recommends using STORPort drivers where available.
79. Driver Version 9.1.2.10 Minimum supported driver due to compatibility reasons. END OF LIFE NOTICE: SCSI miniport and SCSI full port drivers are frozen and EOL at this time for Windows 2003 operating systems. EMC recommends migrating to the currently supported STORPort driver for your HBA. EMC will continue to support existing customers who have Windows 2003 SCSI drivers installed, but any fixes or HCL support will require an upgrade to STORPort. Refer to SalesAdvantage articles for the benefits of using STORPort drivers and information on migrating from SCSI to STOR under Windows 2003. SCSI drivers listed in the April 2006 ESM will be the last supported SCSI drivers for Windows 2003. SCSI Miniport (SCSIPort) Driver. EMC recommends using STORPort drivers where available. This driver requires Microsoft SCSIPort hotfix Q883114. Please see

Intel® Storage System SSR212PP-Series

Microsoft Windows 2003 [x86]

[http://support.microsoft.com/default.aspx?scid=kb;\[LN\];883114](http://support.microsoft.com/default.aspx?scid=kb;[LN];883114)

80. QLogic SANSurfer/SANBlade Manager is not supported. Use QLogic SANCLI utility.

81. 3.2Ghz and 3.6Ghz versions of this server are supported.

82. Driver Version 9.1.2.15 Requires Microsoft STORPort hotfix Q916048. Please see [http://support.microsoft.com/default.aspx?scid=kb;\[LN\];916048](http://support.microsoft.com/default.aspx?scid=kb;[LN];916048).

NOTE: Hotfix Q916048 currently requires Service Pack 1 (SP1) to be installed before the hotfix can be installed. STORPort Miniport Driver

83. Firmware Version 2.50a4

84. Firmware Version 1.90a5

85. BIOS 1.71a0

86. Mixing 2Gb and 4Gb fibre channel expansion cards is not supported in this server.

87. **BladeCenter support for Windows 2000 operating systems requires an IBM SPORE to be submitted to IBM, then if approved by IBM, be subsequently submitted to EMC as an RPQ for review.**

88. Internal port(s) on QLogic or McData 4Gb FC switch module(s) must be set to 4Gb to SAN boot.

89. Refer to EMC Knowledgebase ID emc105679 for any special HBA drivers that may be required.

90. Due to the HS20's embedded FC-SW design, array lun masking is required to assign LUNS to each individual blade server.

91. Dual-port FC switch module. Can be used in place of Optical PassThru Module (OPM.)

92. BIOS 1.12

93. Please read Stratus CAC Alert 2300 prior to the installation of QLA2460-E-SP HBAs.

94. Driver Version 9.0.2.17 Minimum supported driver due to compatibility reasons. STORPort Miniport Driver

95. **FSC Fibre Channel module. Dual channel 2GBit/s HBA for BX6xx-series blade servers only.**

96. Driver Version 9.0.2.17 Minimum supported driver due to compatibility reasons. STORPort Miniport Driver Requires Microsoft STORPort hotfix Q908980. Please see [http://support.microsoft.com/default.aspx?scid=kb;\[LN\];908980](http://support.microsoft.com/default.aspx?scid=kb;[LN];908980)

97. Dell PowerEdge 6450 does not support Emulex LP9802/DC HBAs.

98. BX600 uses an embedded fibre channel controller. Contact Fujitsu Siemens to acquire proper BIOS for embedded fibre channel controller.

99. PCI-X slots in this server only support low-profile hbas with low-profile brackets. Please ensure your HBA vendor has included the proper bracket to fit this server.

100. Firmware Version 1.91a1

101. Driver Version 9.1.2.15

102. BIOS 1.48

103. This HBA is equivalent to the QLogic QLA2340.

104. BX6xx-series systems use an embedded fibre channel controller. Contact Fujitsu Siemens to acquire the proper BIOS for the embedded fibre channel controller.

105. Accepts PCI-X 1.0 and 2.0 HBAs.

106. Driver Version 9.1.2.10 END OF LIFE NOTICE: SCSI miniport and SCSI full port drivers are frozen and EOL at this time for Windows 2003 operating systems. EMC recommends migrating to the currently supported STORPort driver for your HBA. EMC will continue to support existing customers who have Windows 2003 SCSI drivers installed, but any fixes or HCL support will require an upgrade to STORPort. Refer to SalesAdvantage articles for the benefits of using STORPort drivers and information on migrating from SCSI to STOR under Windows 2003. SCSI drivers listed in the April 2006 ESM will be the last supported SCSI drivers for Windows 2003. SCSI Miniport (SCSI Port) Driver. EMC recommends using STORPort drivers where available. This driver requires Microsoft SCSI Port hotfix Q883114. Please see [http://support.microsoft.com/default.aspx?scid=kb;\[LN\];883114](http://support.microsoft.com/default.aspx?scid=kb;[LN];883114)

107. BIOS 1.43

108. Firmware Version 1.90a4

109. Driver Version 9.1.2.11 END OF LIFE NOTICE: SCSI miniport and SCSI full port drivers are frozen and EOL at this time for Windows 2003 operating systems. EMC recommends migrating to the currently supported STORPort driver for your HBA. EMC will continue to support existing customers who have Windows 2003 SCSI drivers installed, but any fixes or HCL support will require an upgrade to STORPort. Refer to SalesAdvantage articles for the benefits of using STORPort drivers and information on migrating from SCSI to STOR under Windows 2003. SCSI drivers listed in the April 2006 ESM will be the last supported SCSI drivers for Windows 2003. SCSI Miniport (SCSI Port) Driver. EMC recommends using STORPort drivers where available. SCSI Miniport (SCSI Port) Driver

110. Driver Version 9.1.2.11

111. Driver Version 9.1.2.10 END OF LIFE NOTICE: SCSI miniport and SCSI full port drivers are frozen and EOL at this time for Windows 2003 operating systems. EMC recommends migrating to the currently supported STORPort driver for your HBA. EMC will continue to support existing customers who have Windows 2003 SCSI drivers installed, but any fixes or HCL support will require an upgrade to STORPort. Refer to SalesAdvantage articles for the benefits of using STORPort drivers and information on migrating from SCSI to STOR under Windows 2003. SCSI drivers listed in the April 2006 ESM will be the last supported SCSI drivers for Windows 2003. SCSI Miniport (SCSI Port) Driver. EMC recommends using STORPort drivers where available.

112. Firmware Version 2.10a9

113. Driver Version 1.11a3 Requires Microsoft STORPort hotfix Q916048. Please see [http://support.microsoft.com/default.aspx?scid=kb;\[LN\];916048](http://support.microsoft.com/default.aspx?scid=kb;[LN];916048). NOTE: Hotfix Q916048 currently requires Service Pack 1 (SP1) to be installed before the hotfix can be installed.

114. Driver Version 9.1.2.15 Requires Microsoft STORPort hotfix Q908980. Please see [http://support.microsoft.com/default.aspx?scid=kb;\[LN\];908980](http://support.microsoft.com/default.aspx?scid=kb;[LN];908980)

115. QLogic SanBlade Manager is not supported.

116. Bus Enumeration Issue Causes Problems using SYMCLI SCSI bus enumeration of disks will change depending on cold boot or warm boot. This causes symcli commands to fail because the path is changed and SYMCLI can no longer communicate with the Symmetrix.

By "shutdown" and booting system, internal disks are assigned first, followed by Symmetrix disks. By "restart" the system, Symmetrix disks are assigned first, followed by internal disks. Drive letter are not changed in both cases. The workaround is to perform "symcfg discover" after rebooting.

117. Supports Stratus OS 2.0.X through 2.1.X.

118. Systems running Stratus OS 1.2.2.X or 1.3 require MS hotfix Q327477 and VxVM 2.7 Hotfix 5A. Stratus OS 1.3.1 and above incorporates these hotfixes.

119. Supports Stratus OS 1.3.X through 2.1.X.

120. **This HBA is equivalent to the QLogic QLA2310.**

121. Driver Version 1.11a1 Requires Microsoft STORPort hotfix Q916048. Please see [http://support.microsoft.com/default.aspx?scid=kb;\[LN\];916048](http://support.microsoft.com/default.aspx?scid=kb;[LN];916048). NOTE: Hotfix Q916048 currently requires Service Pack 1 (SP1) to be installed before the hotfix can be installed. STORPort Miniport Driver

122. Driver Version 1.10x1

123. RPQ or Unisys Custom Engineering Request (CER) required.

124. Driver Version 1.10a4 STORPort Miniport Driver

125. Driver Version 1.02a3 Requires Microsoft STORPort hotfix Q916048. Please see [http://support.microsoft.com/default.aspx?scid=kb;\[LN\];916048](http://support.microsoft.com/default.aspx?scid=kb;[LN];916048).

NOTE: Hotfix Q916048 currently requires Service Pack 1 (SP1) to be installed before the hotfix can be installed. STORPort Miniport Driver Driver can be acquired from Unisys at <http://www.support.unisys.com/support.htm>

126. Driver Version 1.10a4 Requires Microsoft STORPort hotfix Q916048. Please see [http://support.microsoft.com/default.aspx?scid=kb;\[LN\];916048](http://support.microsoft.com/default.aspx?scid=kb;[LN];916048).

NOTE: Hotfix Q916048 currently requires Service Pack 1 (SP1) to be installed before the hotfix can be installed. STORPort Miniport Driver Driver can be acquired from Unisys at <http://www.support.unisys.com/support.htm>

127. Driver Version 1.11a1 Requires Microsoft STORPort hotfix Q916048. Please see [http://support.microsoft.com/default.aspx?scid=kb;\[LN\];916048](http://support.microsoft.com/default.aspx?scid=kb;[LN];916048).

NOTE: Hotfix Q916048 currently requires Service Pack 1 (SP1) to be installed before the hotfix can be installed. STORPort Miniport Driver Driver can be acquired from Unisys at <http://www.support.unisys.com/support.htm>

128. Driver Version 1.02a3 STORPort Miniport Driver Driver can be acquired from Unisys at <http://www.support.unisys.com/support.htm>

- 129. Driver Version 1.11a1 STORPort Miniport Driver Driver can be acquired from Unisys at <http://www.support.unisys.com/support.htm>
- 130. Driver Version 1.11u1 STORPort Miniport Driver Driver can be acquired from Unisys at <http://www.support.unisys.com/support.htm>
- 131. Driver Version 1.11u1 STORPort Miniport Driver Requires Microsoft STORPort hotfix Q908980. Please see [http://support.microsoft.com/default.aspx?scid=kb;\[LN\];908980](http://support.microsoft.com/default.aspx?scid=kb;[LN];908980) Driver can be acquired from Unisys at <http://www.support.unisys.com/support.htm>
- 132. Driver Version 1.11a1 STORPort Miniport Driver Requires Microsoft STORPort hotfix Q908980. Please see [http://support.microsoft.com/default.aspx?scid=kb;\[LN\];908980](http://support.microsoft.com/default.aspx?scid=kb;[LN];908980) Driver can be acquired from Unisys at <http://www.support.unisys.com/support.htm>
- 133. Driver Version 1.02a3 STORPort Miniport Driver Requires Microsoft STORPort hotfix Q908980. Please see [http://support.microsoft.com/default.aspx?scid=kb;\[LN\];908980](http://support.microsoft.com/default.aspx?scid=kb;[LN];908980) Driver can be acquired from Unisys at <http://www.support.unisys.com/support.htm>
- 134. Driver Version 1.20a3 Requires Microsoft STORPort hotfix Q916048. Please see [http://support.microsoft.com/default.aspx?scid=kb;\[LN\];916048](http://support.microsoft.com/default.aspx?scid=kb;[LN];916048). NOTE: Hotfix Q916048 currently requires Service Pack 1 (SP1) to be installed before the hotfix can be installed. STORPort Miniport Driver Driver can be acquired from Unisys at <http://www.support.unisys.com/support.htm>
- 135. Driver Version 1.10x1 Driver can be acquired from Unisys at <http://www.support.unisys.com/support.htm>
- 136. Driver Version 1.10x1 STORPort Miniport Driver Driver can be acquired from Unisys at <http://www.support.unisys.com/support.htm>
- 137. Driver Version 1.10x1 Requires Microsoft STORPort hotfix Q916048. Please see [http://support.microsoft.com/default.aspx?scid=kb;\[LN\];916048](http://support.microsoft.com/default.aspx?scid=kb;[LN];916048). NOTE: Hotfix Q916048 currently requires Service Pack 1 (SP1) to be installed before the hotfix can be installed. Driver can be acquired from Unisys at <http://www.support.unisys.com/support.htm>
- 138. Driver Version 1.10x1 Requires Microsoft STORPort hotfix Q916048. Please see [http://support.microsoft.com/default.aspx?scid=kb;\[LN\];916048](http://support.microsoft.com/default.aspx?scid=kb;[LN];916048). NOTE: Hotfix Q916048 currently requires Service Pack 1 (SP1) to be installed before the hotfix can be installed. STORPort Miniport Driver Driver can be acquired from Unisys at <http://www.support.unisys.com/support.htm>
- 139. Driver Version 1.10a4 STORPort Miniport Driver Requires Microsoft STORPort hotfix Q908980. Please see [http://support.microsoft.com/default.aspx?scid=kb;\[LN\];908980](http://support.microsoft.com/default.aspx?scid=kb;[LN];908980)
- 140. Driver Version 1.10a4 STORPort Miniport Driver Requires Microsoft STORPort hotfix Q908980. Please see [http://support.microsoft.com/default.aspx?scid=kb;\[LN\];908980](http://support.microsoft.com/default.aspx?scid=kb;[LN];908980) Driver can be acquired from Unisys at <http://www.support.unisys.com/support.htm>
- 141. Driver Version 1.10x1 Requires Microsoft STORPort hotfix Q916048. Please see [http://support.microsoft.com/default.aspx?scid=kb;\[LN\];916048](http://support.microsoft.com/default.aspx?scid=kb;[LN];916048). NOTE: Hotfix Q916048 currently requires Service Pack 1 (SP1) to be installed before the hotfix can be installed. STORPort Miniport Driver
- 142. Driver Version 1.11u1 Requires Microsoft STORPort hotfix Q916048. Please see [http://support.microsoft.com/default.aspx?scid=kb;\[LN\];916048](http://support.microsoft.com/default.aspx?scid=kb;[LN];916048). NOTE: Hotfix Q916048 currently requires Service Pack 1 (SP1) to be installed before the hotfix can be installed. STORPort Miniport Driver Driver can be acquired from Unisys at <http://www.support.unisys.com/support.htm>

Microsoft Windows 2000*

Where replication of boot LUN is supported, any use of the replicated boot LUN other than in original host may lead to hardware/configuration mismatch that render the replicated boot LUN unusable. Any issues that arise in trying to use the boot LUN in a host that is non-identical to the source host is outside of the scope of what EMC can support. Also, in any case due to environment failure where I/O is not written back to the source LUN, or if the source LUN is not left in a stable state by the source host, the replicated LUN is not guaranteed to be any more usable than the source. Also, there may be specific software licensing that needs to be investigated when duplicating the boot LUN.

Microsoft Windows 2000								
No.	Host System	Operating System	Host Bus	Host Bus Adapter	Topology	Storage Array	External Boot	Comments
1	Unisys: ES7000/510, ES7000/520, ES7000/530, ES7000/540, ES7000/550, ES7000/560 [32-Bit]	Microsoft Windows 2000 Advanced Server: SP4, SP49; Microsoft Windows 2000 Server SP4	PCI	Unisys FCH752313-PCX (LP1050)2, 50, 68	FC-AL, FC-SW	Intel SSR212PPf	Y3	
2	Dell PowerEdge 1950; Samsung: ZSS230, ZSS230D	Microsoft Windows 2000 Advanced Server: SP4, SP49; Microsoft Windows 2000 Server SP4	PCI Express	Emulex LP1050-E2, 7, 8, 10, 11	FC-AL, FC-SW	Intel SSR212PPf	Y3, 4	See1
3	Samsung: ZSS230, ZSS230D	Microsoft Windows 2000 Advanced Server: SP4, SP49; Microsoft Windows 2000 Server SP4	PCI Express	Emulex LP1150-E2, 5, 6, 7, 8	FC-AL, FC-SW	Intel SSR212PPf	Y3, 4	See1
4	Samsung: ZSS230, ZSS230D	Microsoft Windows 2000 Advanced Server: SP4, SP49; Microsoft Windows 2000 Server SP4	PCI Express	QLogic QLA2460-E-SP6, 10, 13, 14, 38	FC-AL, FC-SW	Intel SSR212PPf	Y3, 4	See16
5	Dell PowerEdge: 1900, 2900, 2950, 6950; Digital Henge INNO: HR-4850T, HR-6850T; Digital Henge Rev0: AS1500, AS1550, AS2500;	Microsoft Windows 2000 Advanced Server: SP4,	PCI Express, PCI-X	Emulex LP1050-E2, 7, 8, 10, 11	FC-AL, FC-SW	Intel SSR212PPf	Y3, 4	See1

Intel® Storage System SSR212PP-Series

Microsoft Windows 2000*

	IBM xSeries: x336 (8837)44, x346 (8840)44; Intel: SC5300AF2, SE7520BB2, SR1400/SE7520JR2, SR1500/S5000PAL, SR2400/SE7520JR2, SR2500/S5000PAL, SR4850HW4-M/SR6850HW4-M, SR4850HW4/SR6850HW4; Lenovo SureServer: R630 G5, R650, R650 G5, T650; Samsung ZSS132	SP49; Microsoft Windows 2000 Server SP4						
6	Digital Henge INNO: HR-4850T, HR-6850T; Intel: SC5300AF2, SE7520BB2, SR1400/SE7520JR2, SR2400/SE7520JR2, SR4850HW4-M/SR6850HW4-M, SR4850HW4/SR6850HW4; Lenovo SureServer: R630 G5, R650, R650 G5, T650	Microsoft Windows 2000 Advanced Server: SP4, SP49; Microsoft Windows 2000 Server SP4	PCI Express, PCI-X	Emulex LP1150-E2, 5, 6, 7, 8	FC-AL, FC-SW	Intel SSR212PP f	Y3, 4	See1
7	IBM xSeries: x336 (8837)44, x346 (8840)44	Microsoft Windows 2000 Advanced Server: SP4, SP49; Microsoft Windows 2000 Server SP4	PCI Express, PCI-X	IBM 19K1246 (QLA2310)10, 13, 14, 27, 43	FC-AL, FC-SW	Intel SSR212PP f	Y3	
8	Digital Henge INNO: HR-4850T, HR-6850T; Intel: SC5300AF2, SE7520BB2, SR1400/SE7520JR2, SR2400/SE7520JR2, SR4850HW4-M/SR6850HW4-M, SR4850HW4/SR6850HW4; Lenovo SureServer: R630 G5, R650, R650 G5, T650	Microsoft Windows 2000 Advanced Server: SP4, SP49; Microsoft Windows 2000 Server SP4	PCI Express, PCI-X	QLogic QLA2460-E-SP6, 10, 13, 14, 38	FC-AL, FC-SW	Intel SSR212PP f	Y3, 4	See16
9	IBM xSeries x3850/x366 (8863)52	Microsoft Windows 2000 Advanced Server: SP4, SP49; Microsoft Windows 2000 Server SP4	PCI-X	IBM 19K1246 (QLA2310)10, 13, 14, 27, 43	FC-AL, FC-SW	Intel SSR212PP f	Y3, 41	

Microsoft Windows 2000

No.	Host System	Operating System	Host Bus	Host Bus Adapter	Topology	Storage Array	External Boot	Comments
10	IBM xSeries: x23561, x36061, x365, x44061	Microsoft Windows 2000 Advanced Server: SP4, SP49; Microsoft Windows 2000 Server SP4	PCI-X	IBM 19K1246 (QLA2310)10, 13, 14, 27, 43	FC-AL, FC-SW	Intel SSR212PP f	Y3	
11	IBM xSeries x3800/x260 (8865)52	Microsoft Windows 2000 Advanced Server: SP4, SP49; Microsoft Windows 2000 Server SP4	PCI-X51	Emulex LP1050-E2, 7, 8, 10, 11	FC-AL, FC-SW	Intel SSR212PP f	Y3, 4	See1
12	IBM xSeries: x3800/x260 (8865)52, x3950/x3950E/x460 (8872, 8874)52	Microsoft Windows 2000 Advanced Server: SP4, SP49; Microsoft Windows 2000 Server SP4	PCI-X51	IBM 19K1246 (QLA2310)10, 13, 14, 27, 43	FC-AL, FC-SW	Intel SSR212PP f	Y3, 41	
13	Digital Henge Rev0: JS1400, JS2400	Microsoft Windows 2000 Advanced Server: SP4, SP49; Microsoft Windows 2000 Server SP4	PCI-X74	Emulex: LP1050-E2, 7, 8, 10, 11, LP1150-E2, 5, 6, 7, 8	FC-AL, FC-SW	Intel SSR212PP f	Y3, 4	See1
14	Digital Henge Rev0: JS1400, JS2400	Microsoft Windows 2000 Advanced Server: SP4, SP49;	PCI-X74	QLogic QLA2460-E-SP6, 10, 13, 14, 38	FC-AL, FC-SW	Intel SSR212PP f	Y3, 4	See16

		Microsoft Windows 2000 Server SP4							
15	IBM xSeries x3800/x260 (8865)52	Microsoft Windows 2000 Advanced Server: SP4, SP49; Microsoft Windows 2000: Datacenter SP455, Server SP4	PCI-X51	IBM 19K1246 (QLA2310)10, 13, 14, 27, 43	FC-AL, FC-SW	Intel SSR212PPf	Y3		
16	Unisys ES7000/460 [32-Bit]	Microsoft Windows 2000 Advanced Server: SP4, SP49; Microsoft Windows 2000: Datacenter SP455, Server SP4	PCI, PCI-X	Unisys FCH752313-PCX (LP1050)2, 70, 72	FC-AL, FC-SW	Intel SSR212PPf	Y3		
17	IBM Netfinity: 8500, 8500R; IBM xSeries x37061	Microsoft Windows 2000 Datacenter SP455	PCI	IBM 19K1246: (QLA2310)10, 13, 14, 27, 43, (QLA2310)10, 13, 14, 27, 43, 56	FC-AL, FC-SW	Intel SSR212PPf	Y3		
18	Unisys: ES7000/520, ES7000/530, ES7000/540, ES7000/550	Microsoft Windows 2000 Datacenter SP455	PCI	Unisys FCH752313-PCX (LP1050)2, 50, 68	FC-AL, FC-SW	Intel SSR212PPf	Y3		
19	Unisys ES7000/560 [32-Bit]	Microsoft Windows 2000 Datacenter SP455	PCI	Unisys FCH752313-PCX (LP1050)2, 50, 69	FC-AL, FC-SW	Intel SSR212PPf	Y3		
20	IBM xSeries x44061	Microsoft Windows 2000 Datacenter SP455	PCI-X	IBM 19K1246 (QLA2310)10, 13, 14, 27, 43	FC-AL, FC-SW	Intel SSR212PPf	Y3		
21	IBM xSeries x445 (8870)	Microsoft Windows 2000 Datacenter SP455	PCI, PCI-X	IBM 19K1246 (QLA2310)10, 13, 14, 27, 43	FC-AL, FC-SW	Intel SSR212PPf	Y3		
22	Dell PowerVault: 750N, 755N23, 770N24, 775N	Microsoft Windows 2000 Powered Server Appliance Kit SP4 (SAK)	PCI	Emulex: LP101-E2, 7, 8, 10, 11, LP982-E2, 7, 8, 10, 11	FC-AL, FC-SW	Intel SSR212PPf	N	See1	
23	Dell PowerVault: 750N, 750N22, 755N22, 23, 755N23, 770N22, 775N	Microsoft Windows 2000 Powered Server Appliance Kit SP4 (SAK)	PCI	Emulex: LP1050-E2, 7, 8, 10, 11, LP1150-E2, 5, 6, 7, 8	FC-AL, FC-SW	Intel SSR212PPf	N	See1	

Microsoft Windows 2000									
No.	Host System	Operating System	Host Bus	Host Bus Adapter	Topology	Storage Array	External Boot	Comments	
24	Dell PowerVault: 750N, 755N23, 770N24, 775N	Microsoft Windows 2000 Powered Server Appliance Kit SP4 (SAK)	PCI	QLogic: QLA200-E-SP10, 25, 26, QLA210-E-SP6, 14, 25, QLA2340-E-SP10, 27, 28, QLA2460-E-SP6, 10, 13, 38	FC-AL, FC-SW	Intel SSR212PPf	N	See16	
25	Dell PowerEdge 1950	Microsoft Windows 2000 Powered Server Appliance Kit SP4 (SAK)	PCI Express	QLogic QLA200-E-SP10, 25, 26	FC-AL, FC-SW	Intel SSR212PPf	N	See16	
26	Dell PowerEdge: 1900, 2900, 2950, 6950; Digital Henge Revo: AS1500, AS1550, AS2500; Intel: SR1500/S5000PAL, SR2500/S5000PAL; Samsung ZSS132	Microsoft Windows 2000 Powered Server Appliance Kit SP4 (SAK)	PCI Express, PCI-X	QLogic QLA200-E-SP10, 25, 26	FC-AL, FC-SW	Intel SSR212PPf	N	See16	
27	Sun: x4100, x4200	Microsoft Windows 2000 Powered Server	PCI-X	Emulex LP1150-E2, 5, 6, 7, 8	FC-AL, FC-SW	Intel SSR212PPf	N	See1	

Intel® Storage System SSR212PP-Series

Microsoft Windows 2000*

		Appliance Kit SP4 (SAK)							
28	Sun: x4100, x4200	Microsoft Windows 2000 Powered Server Appliance Kit SP4 (SAK)	PCI-X	QLogic QLA2460-E-SP6, 10, 13, 38	FC-AL, FC-SW	Intel SSR212PPf	N	See16	
29	IBM xSeries x3800/x260 (8865)52	Microsoft Windows 2000: Advanced Server SP4, Datacenter SP455, Server SP4	PCI-X51	IBM 19K1246 (QLA2310)10, 13, 14, 27, 43, 56	FC-AL, FC-SW	Intel SSR212PPf	Y3		
30	Dell PowerEdge: 1550, 2300, 2400, 2450, 2500, 255023, 4300, 4350, 4400, 6100, 6300, 6350, 6400, 6450, 8450; HPQ Proliant: DL32012, DL360(G2)12, DL36012, DL58012, ML350(G2)12, ML35012, ML370(G2)12, ML37012, ML530(G2)12, ML530(G3)12, ML53012, ML57012, ML75012; IBM: Netfinity 4500R, xSeries x225, xSeries x230, xSeries x232, xSeries x240, xSeries x250, xSeries x330, xSeries x335, xSeries x340 (4500R), xSeries x342, xSeries x350 (6000R), xSeries x370	Microsoft Windows 2000: Advanced Server SP4, Server SP4	PCI	Emulex LP101-E2, 7, 8, 10, 11	FC-AL, FC-SW	Intel SSR212PPf	Y3, 4	See1	
31	Dell PowerEdge: 1550, 2300, 2400, 2450, 2500, 255023, 4300, 4350, 4400, 6100, 6300, 6350, 6400, 6450, 8450; HPQ Proliant: DL32012, DL360(G2)12, DL36012, DL58012, ML350(G2)12, ML35012, ML370(G2)12, ML37012, ML530(G2)12, ML530(G3)12, ML53012, ML57012, ML75012; IBM xSeries: x225, x230, x232, x240, x250, x330, x335, x342, x350 (6000R), x370	Microsoft Windows 2000: Advanced Server SP4, Server SP4	PCI	Emulex LP982-E2, 7, 8, 10, 11	FC-AL, FC-SW	Intel SSR212PPf	Y3, 4	See1	
32	Fuji Serv (ICL) Trimetra Nova; HPQ Proliant: 6000R, DL380(G3)12, DL580(G2)12; IBM xSeries x345 (8670)61	Microsoft Windows 2000: Advanced Server SP4, Server SP4	PCI	Emulex: LP1050-E2, 7, 8, 10, 11, LP1150-E2, 5, 6, 7, 8	FC-AL, FC-SW	Intel SSR212PPf	Y3, 4	See1	
33	Fujitsu Siemens Primergy: BX60076, BX620 S2F64, BX620 S264, BX62064, BX66064	Microsoft Windows 2000: Advanced Server SP4, Server SP4	PCI	Fujitsu Siemens BX600-FC22Q6, 10, 13, 14, 27, 63	FC-AL, FC-SW	Intel SSR212PPf	Y3		
34	IBM Netfinity: 4500R, 5000, 5500, 5500 M10, 5500 M20, 5600, 7000 M1060, 7100, 7600; IBM xSeries: x225, x230, x23261, x24061, x25061, x33061, x335, x340 (4500R)61, x34261, x345 (8670)61, x350 (6000R)61, x37061	Microsoft Windows 2000: Advanced Server SP4, Server SP4	PCI	IBM 19K1246 (QLA2310)10, 13, 14, 27, 43	FC-AL, FC-SW	Intel SSR212PPf	Y3		
35	IBM Netfinity: 6000R, 8500, 8500R; IBM xSeries x25561	Microsoft Windows 2000: Advanced Server SP4, Server SP4	PCI	IBM 19K1246 (QLA2310)10, 13, 14, 27, 43, 56	FC-AL, FC-SW	Intel SSR212PPf	Y3		
36	IBM: Netfinity 4500R, xSeries x225, xSeries x230, xSeries x232, xSeries x240, xSeries x250, xSeries x330, xSeries x335, xSeries x340 (4500R), xSeries x342, xSeries x350 (6000R), xSeries x370	Microsoft Windows 2000: Advanced Server SP4, Server SP4	PCI	IBM: 39M5894 (QLA2460)6, 10, 38, 62, 39M5895 (QLA2462)6, 10, 38, 62	FC-AL, FC-SW	Intel SSR212PPf	Y3, 4	See16	
37	HPQ Proliant: DL32012, DL360(G2)12, DL36012, DL58012, ML350(G2)12, ML35012, ML370(G2)12, ML37012, ML530(G2)12, ML530(G3)12, ML53012, ML57012, ML75012; IBM: Netfinity 4500R, xSeries x225, xSeries x230, xSeries x232, xSeries x240, xSeries x250, xSeries x330, xSeries x335, xSeries x340 (4500R), xSeries x342, xSeries x350 (6000R), xSeries x370	Microsoft Windows 2000: Advanced Server SP4, Server SP4	PCI	QLogic: QLA200-E-SP10, 13, 14, 25, QLA210-E-SP6, 25, 57, QLA2340-E-SP10, 13, 14, 27, QLA2460-E-SP6, 10, 13, 14, 38	FC-AL, FC-SW	Intel SSR212PPf	Y3, 4	See16	

Microsoft Windows 2000

No.	Host System	Operating System	Host Bus	Host Bus Adapter	Topology	Storage Array	External Boot	Comments
38	Dell PowerEdge: 1550, 2300, 2400, 2450, 2500, 255023, 4300, 4350, 4400, 6100, 6300, 6350, 6400, 6450, 8450	Microsoft Windows 2000: Advanced Server SP4, Server SP4	PCI	QLogic: QLA200-E-SP10, 25, 26, QLA210-E-SP6, 14, 25, QLA2340-E-SP10, 27, 28, QLA2460-E-SP6, 10, 13, 38	FC-AL, FC-SW	Intel SSR212PPf	Y3, 4	See16
39	Unisys: ES3120, ES3120L, ES3140, ES3140L	Microsoft Windows 2000: Advanced Server SP4, Server SP4	PCI	Unisys FCH752313-PCX (LP1050)2, 50, 70	FC-AL, FC-SW	Intel SSR212PPf	Y3	
40	Samsung: ZSS230, ZSS230D	Microsoft Windows 2000: Advanced Server SP4, Server SP4	PCI Express	Emulex LP101-E2, 7, 8, 10, 11	FC-AL, FC-SW	Intel SSR212PPf	Y3, 4	See1

41	Dell PowerEdge 1950; Samsung: ZSS230, ZSS230D	Microsoft Windows 2000: Advanced Server SP4, Server SP4	PCI Express	Emulex LP982-E2, 7, 8, 10, 11	FC-AL, FC-SW	Intel SSR212PPf	Y3, 4	See1
42	HPQ Proliant: BL460c (404664-B21), BL465c (403433-B21), BL465c (403434-B21), BL465c (407234-B21), BL465c (407235-B21), BL480c (404704-B21)	Microsoft Windows 2000: Advanced Server SP4, Server SP4	PCI Express	HPQ: Emulex LPe1105-HP 4Gb FC HBA for HP c-Class Bladesystem (403621-B21)2, 32, 36, QLogic QMH2462 4Gb FC HBA for HP c-Class Bladesystem (403619-B21)53, 54	FC-AL, FC-SW	Intel SSR212PPf	Y	
43	Dell PowerEdge 1950	Microsoft Windows 2000: Advanced Server SP4, Server SP4	PCI Express	QLogic QLA200-E-SP10, 13, 14, 25	FC-AL, FC-SW	Intel SSR212PPf	Y3, 4, 41	See16
44	Samsung: ZSS230, ZSS230D	Microsoft Windows 2000: Advanced Server SP4, Server SP4	PCI Express	QLogic QLA2340-E-SP10, 13, 14, 27	FC-AL, FC-SW	Intel SSR212PPf	Y3, 4	See16
45	Dell PowerEdge 1950	Microsoft Windows 2000: Advanced Server SP4, Server SP4	PCI Express	QLogic: QLA200-E-SP10, 13, 14, 25, QLA200-E-SP10, 25, 26, QLA210-E-SP6, 14, 25, QLA2340-E-SP10, 27, 28	FC-AL, FC-SW	Intel SSR212PPf	Y3, 4	See16
46	Samsung: ZSS230, ZSS230D	Microsoft Windows 2000: Advanced Server SP4, Server SP4	PCI Express	QLogic: QLA2340-E-SP10, 13, 14, 27, QLA2460-E-SP6, 10, 13, 14, 38	FC-AL, FC-SW	Intel SSR212PPf	Y3, 4, 17	See16
47	Digital Henge INNO: HR-4850, HR-6850; Digital Henge Revo: JS1400, JS2400; LangChao: NC3000, NC3500, NF500, NF520; Samsung: ZSS150, ZSS230, ZSS230D	Microsoft Windows 2000: Advanced Server SP4, Server SP4	PCI Express	QLogic: QLE220-E-SP6, 10, 39, 40, QLE2360-E-SP10, 13, 14, 15, QLE2460-E-SP6, 10, 13, 14, 38	FC-AL, FC-SW	Intel SSR212PPf	Y3, 4, 17	See16
48	Digital Henge INNO: HR-4850, HR-6850; LangChao: NC3000, NC3500, NF500, NF520; Samsung: ZSS230, ZSS230D	Microsoft Windows 2000: Advanced Server SP4, Server SP4	PCI Express	QLogic: QLE220-E-SP6, 10, 39, 40, QLE2360-E-SP10, 13, 14, 15, QLE2460-E-SP6, 10, 13, 14, 38	FC-AL, FC-SW	Intel SSR212PPf	Y3, 4, Y3, 4, 41	See16
49	Dell PowerEdge: 1800, 1850, 1950, 2800, 2850, 6800, 6850	Microsoft Windows 2000: Advanced Server SP4, Server SP4	PCI Express	QLogic: QLE220-E-SP6, 10, 40, 46, QLE2360-E-SP10, 15, 28, QLE2460-E-SP6, 10, 28, 38	FC-AL, FC-SW	Intel SSR212PPf	Y3, 4	See16
50	Digital Henge INNO: HR-4850T, HR-6850T; IBM xSeries: x336 (8837)44, x346 (8840)44; Intel: SC5300AF2, SE7520BB2, SR1400/SE7520JR2, SR2400/SE7520JR2, SR4850HW4-M/SR6850HW4-M, SR4850HW4/SR6850HW4; Lenovo SureServer: R630 G5, R650, R650 G5, T650	Microsoft Windows 2000: Advanced Server SP4, Server SP4	PCI Express, PCI-X	Emulex LP101-E2, 7, 8, 10, 11	FC-AL, FC-SW	Intel SSR212PPf	Y3, 4	See1
51	Dell PowerEdge: 1900, 2900, 2950, 6950; Digital Henge INNO: HR-4850T, HR-6850T; Digital Henge Revo: AS1500, AS1550, AS2500; IBM xSeries: x336 (8837)44, x346 (8840)44; Intel: SC5300AF2, SE7520BB2, SR1400/SE7520JR2, SR1500/S5000PAL, SR2400/SE7520JR2, SR2500/S5000PAL, SR4850HW4-M/SR6850HW4-M, SR4850HW4/SR6850HW4; Lenovo SureServer: R630 G5, R650, R650 G5, T650; Samsung ZSS132	Microsoft Windows 2000: Advanced Server SP4, Server SP4	PCI Express, PCI-X	Emulex LP982-E2, 7, 8, 10, 11	FC-AL, FC-SW	Intel SSR212PPf	Y3, 4	See1
52	HPQ Proliant ML350(G4)12	Microsoft Windows 2000: Advanced Server SP4, Server SP4	PCI Express, PCI-X	HPQ: AB429A/FC1143 (QLA2460)6, 10, 14, 38, AE369A/FC1243 (QLA2462)6, 10, 14, 38	FC-AL, FC-SW	Intel SSR212PPf	Y3, 4	See16
Microsoft Windows 2000								
No.	Host System	Operating System	Host Bus	Host Bus Adapter	Topology	Storage Array	External Boot	Comments
53	IBM xSeries x346 (8840)44	Microsoft Windows 2000: Advanced Server SP4, Server SP4	PCI Express, PCI-X	IBM 24P0960 (QLA2340)10, 13, 14, 27, 59	FC-AL, FC-SW	Intel SSR212PPf	Y	

Intel® Storage System SSR212PP-Series

Microsoft Windows 2000*

54	Dell PowerEdge: 1900, 2900, 2950, 6950; Digital Henge Rev0: AS1500, AS1550, AS2500; IBM xSeries: x336 (8837)44, x346 (8840)44; Intel: SR1500/S5000PAL, SR2500/S5000PAL; Samsung ZSS132	Microsoft Windows 2000: Advanced Server SP4, Server SP4	PCI Express, PCI-X	QLogic QLA200-E-SP10, 13, 14, 25	FC-AL, FC-SW	Intel SSR212PPf	Y3, 4	See16
55	Dell PowerEdge: 1900, 2900, 2950, 6950; Digital Henge Rev0: AS1500, AS1550, AS2500; Intel: SR1500/S5000PAL, SR2500/S5000PAL; Samsung ZSS132	Microsoft Windows 2000: Advanced Server SP4, Server SP4	PCI Express, PCI-X	QLogic QLA200-E-SP10, 13, 14, 25	FC-AL, FC-SW	Intel SSR212PPf	Y3, 4, 41	See16
56	IBM xSeries: x336 (8837)44, x346 (8840)44	Microsoft Windows 2000: Advanced Server SP4, Server SP4	PCI Express, PCI-X	QLogic QLA210-E-SP6, 25, 57	FC-AL, FC-SW	Intel SSR212PPf	Y3, 4	See16
57	Digital Henge INNO: HR-4850T, HR-6850T; IBM xSeries: x336 (8837)44, x346 (8840)44; Intel: SC5300AF2, SE7520BB2, SR1400/SE7520JR2, SR2400/SE7520JR2, SR4850HW4-M/SR6850HW4-M, SR4850HW4/SR6850HW4; Lenovo SureServer: R630 G5, R650, R650 G5, T650	Microsoft Windows 2000: Advanced Server SP4, Server SP4	PCI Express, PCI-X	QLogic QLA2340-E-SP10, 13, 14, 27	FC-AL, FC-SW	Intel SSR212PPf	Y3, 4	See16
58	Dell PowerEdge: 1900, 2900, 2950, 6950; Digital Henge Rev0: AS1500, AS1550, AS2500; Intel: SR1500/S5000PAL, SR2500/S5000PAL; Samsung ZSS132	Microsoft Windows 2000: Advanced Server SP4, Server SP4	PCI Express, PCI-X	QLogic: QLA200-E-SP10, 25, 26, QLA210-E-SP6, 14, 25, QLA2340-E-SP10, 27, 28, QLE220-E-SP6, 10, 40, 46, QLE2360-E-SP10, 15, 28, QLE2460-E-SP6, 10, 28, 38	FC-AL, FC-SW	Intel SSR212PPf	Y3, 4	See16
59	Digital Henge INNO: HR-4850T, HR-6850T; Intel: SC5300AF2, SE7520BB2, SR1400/SE7520JR2, SR2400/SE7520JR2, SR4850HW4-M/SR6850HW4-M, SR4850HW4/SR6850HW4; Lenovo SureServer: R630 G5, R650, R650 G5, T650	Microsoft Windows 2000: Advanced Server SP4, Server SP4	PCI Express, PCI-X	QLogic: QLA2340-E-SP10, 13, 14, 27, QLA2460-E-SP6, 10, 13, 14, 38, QLE220-E-SP6, 10, 39, 40, QLE2360-E-SP10, 13, 14, 15, QLE2460-E-SP6, 10, 13, 14, 38	FC-AL, FC-SW	Intel SSR212PPf	Y3, 4, 17	See16
60	Digital Henge INNO: HR-4850T, HR-6850T; Intel: SR4850HW4-M/SR6850HW4-M, SR4850HW4/SR6850HW4; Lenovo SureServer: R630 G5, R650, R650 G5, T650	Microsoft Windows 2000: Advanced Server SP4, Server SP4	PCI Express, PCI-X	QLogic: QLE220-E-SP6, 10, 39, 40, QLE2360-E-SP10, 13, 14, 15, QLE2460-E-SP6, 10, 13, 14, 38	FC-AL, FC-SW	Intel SSR212PPf	Y3, 4, Y3, 4, 41	See16
61	Dell PowerEdge 6850	Microsoft Windows 2000: Advanced Server SP4, Server SP4	PCI-X	Dell 2362M10, 14, 45, 49	FC-AL, FC-SW	Intel SSR212PPf	Y3	
62	Dell PowerEdge 1855	Microsoft Windows 2000: Advanced Server SP4, Server SP4	PCI-X	Dell: 2342M10, 14, 27, LPe1105-M2, 6, 32, 42, QME24626, 14, 45	FC-AL, FC-SW	Intel SSR212PPf	Y3	
63	Fujitsu Siemens Primergy: RX200 S2, RX300 S2, TX200 S2, TX300 S2	Microsoft Windows 2000: Advanced Server SP4, Server SP4	PCI-X	Emulex LP101-E2, 7, 8, 10, 50	FC-AL, FC-SW	Intel SSR212PPf	Y3, 4	See1
64	Dell PowerEdge 265077; Digital Henge INNO: HR-4850, HR-6850; LangChao: NC3000, NC3500, NF500, NF520; Samsung ZSS150	Microsoft Windows 2000: Advanced Server SP4, Server SP4	PCI-X	Emulex LP1050-E2, 7, 8, 10, 11	FC-AL, FC-SW	Intel SSR212PPf	Y3, 4	See1
65	Dell PowerEdge 265077; Digital Henge INNO: HR-4850, HR-6850; LangChao: NC3000, NC3500, NF500, NF520; Samsung ZSS150; Sun: x4100, x4200	Microsoft Windows 2000: Advanced Server SP4, Server SP4	PCI-X	Emulex LP1150-E2, 5, 6, 7, 8	FC-AL, FC-SW	Intel SSR212PPf	Y3, 4	See1

Microsoft Windows 2000

No.	Host System	Operating System	Host Bus	Host Bus Adapter	Topology	Storage Array	External Boot	Comments
66	Dell PowerEdge: 1600SC, 1650, 1750, 2600, 2650, 2800, 2850, 4600, 6600, 6650, 6800, 6850; Digital Henge INNO: HR-4850, HR-6850, SH4500; HPQ Proliant: BL404, DL360(G3)12, DL360(G4)12, DL56012, DL74012, DL760(G2)12, DL76012, ML570(G2)12; IBM xSeries: x235, x255, x360, x365, x440; LangChao: NC2000, NC3000, NC3500, NF420, NF500, NF520;	Microsoft Windows 2000: Advanced Server SP4, Server SP4	PCI-X	Emulex: LP101-E2, 7, 8, 10, 11, LP982-E2, 7, 8, 10, 11	FC-AL, FC-SW	Intel SSR212PPf	Y3, 4	See1

	Lenovo: ShenTeng R630, SureServer R630 6003, SureServer R630 6004, SureServer T630 6003, SureServer T630 6004; Samsung: SS210, SS3400, SS3440, SS370, SS3840, ZSS150; Sun: V20z, V40z, x4100, x4200							
67	IBM xSeries x3850/x366 (8863)52	Microsoft Windows 2000: Advanced Server SP4, Server SP4	PCI-X	Emulex: LP101-E2, 7, 8, 10, 11, LP982-E2, 7, 8, 10, 11	FC-AL, FC-SW	Intel SSR212PPf	Y3, 4, 41	See1
68	Fujitsu Siemens Primergy: RX300 S2, TX300 S2	Microsoft Windows 2000: Advanced Server SP4, Server SP4	PCI-X	Emulex: LP1050Ex-E2, 6, 7, 8, 10, 50, LP1050Ex-E2, 6, 8, 10, 32, 50	FC-AL, FC-SW	Intel SSR212PPf	Y4, Y4, 17	See1
69	HPQ Proliant DL360(G4)12	Microsoft Windows 2000: Advanced Server SP4, Server SP4	PCI-X	HPQ AE311A/FC1142SR (QLE2460)6, 10, 13, 14, 38	FC-AL, FC-SW	Intel SSR212PPf	Y3, Y3, 17, Y3, 41	
70	HPQ Proliant DL360(G4)12	Microsoft Windows 2000: Advanced Server SP4, Server SP4	PCI-X	HPQ: AB429A/FC1143 (QLA2460)6, 10, 14, 38, AE369A/FC1243 (QLA2462)6, 10, 14, 38; QLogic: QLE220-E-SP6, 10, 39, 40, QLE2360-E-SP10, 13, 14, 15, QLE2460-E-SP6, 10, 13, 14, 38	FC-AL, FC-SW	Intel SSR212PPf	Y3, 4	See16
71	HPQ Proliant BL460c: (416653-B21), (416654-B21), (416655-B21), (416656-B21), (432636-B21); HPQ Proliant BL480c: (416666-B21), (416667-B21), (416668-B21), (416669-B21)	Microsoft Windows 2000: Advanced Server SP4, Server SP4	PCI-X	HPQ: Emulex LPe1105-HP 4Gb FC HBA for HP c-Class Bladesystem (403621-B21)2, 32, 36, QLogic QMH2462 4Gb FC HBA for HP c-Class Bladesystem (403619-B21)53, 54	FC-AL, FC-SW	Intel SSR212PPf	Y	
72	IBM xSeries: x235, x255, x360, x365, x440	Microsoft Windows 2000: Advanced Server SP4, Server SP4	PCI-X	IBM: 39M5894 (QLA2460)6, 10, 38, 62, 39M5895 (QLA2462)6, 10, 38, 62	FC-AL, FC-SW	Intel SSR212PPf	Y3, 4	See16
73	NEC Express 5800: 110Rg-1, 120Rf-1, 120Rh-2	Microsoft Windows 2000: Advanced Server SP4, Server SP4	PCI-X	NEC N8190-120 (LP1050)2, 7, 8, 10, 11, 75	FC-AL, FC-SW	Intel SSR212PPf	Y	
74	Digital Henge INNO: HR-4850, HR-6850; LangChao: NC3000, NC3500, NF500, NF520; Samsung ZSS150	Microsoft Windows 2000: Advanced Server SP4, Server SP4	PCI-X	QLogic QLA2340-E-SP10, 13, 14, 27	FC-AL, FC-SW	Intel SSR212PPf	Y3, 4, 17	See16
75	Digital Henge INNO: HR-4850, HR-6850; LangChao: NC3000, NC3500, NF500, NF520; Samsung ZSS150; Sun: x4100, x4200	Microsoft Windows 2000: Advanced Server SP4, Server SP4	PCI-X	QLogic QLA2460-E-SP6, 10, 13, 14, 38	FC-AL, FC-SW	Intel SSR212PPf	Y3, 4, 17	See16
76	Dell PowerEdge: 1600SC, 1650, 1750, 2600, 2650, 4600, 6600, 6650; Sun: x4100, x4200	Microsoft Windows 2000: Advanced Server SP4, Server SP4	PCI-X	QLogic QLA2460-E-SP6, 10, 13, 38	FC-AL, FC-SW	Intel SSR212PPf	Y3, 4	See16
77	Digital Henge INNO SH4500; HPQ Proliant: BL40p, DL360(G3)12, DL360(G4)12, DL56012, DL74012, DL760 (G2)12, DL76012, ML570(G2)12; IBM xSeries: x235, x255, x360, x365, x440; LangChao: NC2000, NF420; Lenovo: ShenTeng R630, SureServer R630 6003, SureServer R630 6004, SureServer T630 6003, SureServer T630 6004; Samsung: SS210, SS3400, SS3440; Sun: V20z, V40z, x4100, x4200	Microsoft Windows 2000: Advanced Server SP4, Server SP4	PCI-X	QLogic: QLA200-E-SP10, 13, 14, 25, QLA210-E-SP6, 25, 57, QLA2340-E-SP10, 13, 14, 27	FC-AL, FC-SW	Intel SSR212PPf	Y3, 4	See16
78	IBM xSeries x3850/x366 (8863)52	Microsoft Windows 2000: Advanced Server SP4, Server SP4	PCI-X	QLogic: QLA200-E-SP10, 13, 14, 25, QLA210-E-SP6, 25, 57, QLA2340-E-SP10, 13, 14, 27	FC-AL, FC-SW	Intel SSR212PPf	Y3, 4, 41	See16

Microsoft Windows 2000

No.	Host System	Operating System	Host Bus	Host Bus Adapter	Topology	Storage Array	External Boot	Comments
79	Dell PowerEdge: 1600SC, 1650, 1750, 2600, 2650, 2800, 2850, 4600, 6600, 6650, 6800, 6850	Microsoft Windows 2000: Advanced Server SP4, Server SP4	PCI-X	QLogic: QLA200-E-SP10, 25, 26, QLA210-E-SP6, 14, 25, QLA2340-E-SP10, 27, 28	FC-AL, FC-SW	Intel SSR212PPf	Y3, 4	See16

Intel® Storage System SSR212PP-Series

Microsoft Windows 2000*

80	Digital Henge INNO: HR-4850, HR-6850, SH4500; Digital Henge SH4500R4; HPQ Proliant: DL360(G3)12, DL360(G4)12, DL56012, DL74012, DL760 (G2)12, DL76012, ML570(G2)12; IBM xSeries: x235, x255, x360, x365, x440; LangChao: NC2000, NC3000, NC3500, NF420, NF500, NF520; Lenovo: ShenTeng R630, SureServer R630 6003, SureServer R630 6004, SureServer T630 6003, SureServer T630 6004; Samsung: SS210, SS3400, SS3440, SS370, SS3840, ZSS150; Sun: V20z, V40z, x4100, x4200	Microsoft Windows 2000: Advanced Server SP4, Server SP4	PCI-X	QLogic: QLA2340-E-SP10, 13, 14, 27, QLA2460-E-SP6, 10, 13, 14, 38	FC-AL, FC-SW	Intel SSR212PP f	Y3, 4	See16
81	HPQ Proliant DL360(G4)12	Microsoft Windows 2000: Advanced Server SP4, Server SP4	PCI-X	QLogic: QLE220-E-SP6, 10, 39, 40, QLE2360-E-SP10, 13, 14, 15, QLE2460-E-SP6, 10, 13, 14, 38	FC-AL, FC-SW	Intel SSR212PP f	Y3, 4, 17, Y3, 4, 41	See16
82	IBM xSeries x3800/x260 (8865)52	Microsoft Windows 2000: Advanced Server SP4, Server SP4	PCI-X51	Emulex LP1050-E2, 7, 8, 10, 11	FC-AL, FC-SW	Intel SSR212PP f	Y3, 4, 41	See1
83	IBM xSeries x3800/x260 (8865)52	Microsoft Windows 2000: Advanced Server SP4, Server SP4	PCI-X51	Emulex: LP101-E2, 7, 8, 10, 11, LP982-E2, 7, 8, 10, 11	FC-AL, FC-SW	Intel SSR212PP f	Y3, 4	See1
84	IBM xSeries: x3800/x260 (8865)52, x3950/x3950E/x460 (8872, 8874)52	Microsoft Windows 2000: Advanced Server SP4, Server SP4	PCI-X51	Emulex: LP101-E2, 7, 8, 10, 11, LP982-E2, 7, 8, 10, 11	FC-AL, FC-SW	Intel SSR212PP f	Y3, 4, 41	See1
85	IBM xSeries x3950/x3950E/x460 (8872, 8874)52	Microsoft Windows 2000: Advanced Server SP4, Server SP4	PCI-X51	Emulex: LP101-E2, 8, 10, 11, 32, LP1050-E2, 7, 8, 10, 11, LP982-E2, 7, 8, 10, 11	FC-AL, FC-SW	Intel SSR212PP f	Y4	See1
86	IBM xSeries x3950/x3950E/x460 (8872, 8874)52	Microsoft Windows 2000: Advanced Server SP4, Server SP4	PCI-X51	IBM: 19K1246 (QLA2310)10, 13, 14, 27, 43, 24P0960 (QLA2340)10, 13, 14, 27, 59	FC-AL, FC-SW	Intel SSR212PP f	Y	
87	IBM xSeries x3800/x260 (8865)52	Microsoft Windows 2000: Advanced Server SP4, Server SP4	PCI-X51	QLogic QLA2340-E-SP10, 13, 14, 27	FC-AL, FC-SW	Intel SSR212PP f	Y3, 4	See16
88	IBM xSeries x3950/x3950E/x460 (8872, 8874)52	Microsoft Windows 2000: Advanced Server SP4, Server SP4	PCI-X51	QLogic QLA2340-E-SP10, 13, 14, 27	FC-AL, FC-SW	Intel SSR212PP f	Y4	See16
89	IBM xSeries: x3800/x260 (8865)52, x3950/x3950E/x460 (8872, 8874)52	Microsoft Windows 2000: Advanced Server SP4, Server SP4	PCI-X51	QLogic QLA2340-E-SP10, 13, 14, 27	FC-AL, FC-SW	Intel SSR212PP f	Y3, 4, 41	See16
90	IBM xSeries x3950/x3950E/x460 (8872, 8874)52	Microsoft Windows 2000: Advanced Server SP4, Server SP4	PCI-X51	QLogic: QLA200-E-SP10, 13, 14, 25, QLA210-E-SP6, 25, 57	FC-AL, FC-SW	Intel SSR212PP f	Y3, 4, 41	See16
91	Digital Henge Revo: JS1400, JS2400	Microsoft Windows 2000: Advanced Server SP4, Server SP4	PCI-X74	Emulex: LP101-E2, 7, 8, 10, 11, LP982-E2, 7, 8, 10, 11	FC-AL, FC-SW	Intel SSR212PP f	Y3, 4	See1
92	Digital Henge Revo: JS1400, JS2400	Microsoft Windows 2000: Advanced Server SP4, Server SP4	PCI-X74	QLogic QLA2340-E-SP10, 13, 14, 27	FC-AL, FC-SW	Intel SSR212PP f	Y3, 4	See16
93	Digital Henge Revo: JS1400, JS2400	Microsoft Windows 2000: Advanced Server SP4, Server SP4	PCI-X74	QLogic: QLA2340-E-SP10, 13, 14, 27, QLA2460-E-SP6, 10, 13, 14, 38	FC-AL, FC-SW	Intel SSR212PP f	Y3, 4, 17	See16
94	Dell PowerEdge 1955	Microsoft Windows 2000: Advanced Server SP4, Server SP4	PCI, PCI Express, PCI-X	Dell: 2342M10, 14, 27, LPe1105-M2, 6, 32, 42, QME24626, 14, 45	FC-AL, FC-SW	Intel SSR212PP f	Y3	

Microsoft Windows 2000

No.	Host System	Operating System	Host Bus	Host Bus Adapter	Topology	Storage Array	External Boot	Comments
95	HPQ Proliant: DL380(G5), DL580(G4)	Microsoft Windows 2000: Advanced Server SP4, Server SP4	PCI, PCI Express, PCI-X	HPQ: AB429A/FC1143 (QLA2460)6, 10, 14, 38, AE369A/FC1243 (QLA2462)6, 10, 14, 38; QLogic QLA2460-E-SP6, 10, 13, 14, 38	FC-AL, FC-SW	Intel SSR212PPf	Y3, 4	See16
96	HPQ Proliant DL580(G3)12	Microsoft Windows 2000: Advanced Server SP4, Server SP4	PCI, PCI Express, PCI-X	QLogic QLE220-E-SP6, 10, 39, 40	FC-AL, FC-SW	Intel SSR212PPf	Y3, 4	See16
97	HPQ Proliant: DL380(G4)12, DL580(G3)12	Microsoft Windows 2000: Advanced Server SP4, Server SP4	PCI, PCI Express, PCI-X	QLogic QLE2360-E-SP10, 13, 14, 15	FC-AL, FC-SW	Intel SSR212PPf	Y3, 4	See16
98	HPQ Proliant: DL380(G4)12, DL380(G5), DL580(G3)12, DL580(G4)	Microsoft Windows 2000: Advanced Server SP4, Server SP4	PCI, PCI Express, PCI-X	QLogic QLE2460-E-SP6, 10, 13, 14, 38	FC-AL, FC-SW	Intel SSR212PPf	Y3, 4	See16
99	HPQ Proliant: DL380(G5), DL580(G3)12, DL580(G4)	Microsoft Windows 2000: Advanced Server SP4, Server SP4	PCI, PCI Express, PCI-X	QLogic QLE2460-E-SP6, 10, 13, 14, 38	FC-AL, FC-SW	Intel SSR212PPf	Y3, 4, 17, Y3, 4, 41	See16
100	HPQ Proliant DL580(G3)12	Microsoft Windows 2000: Advanced Server SP4, Server SP4	PCI, PCI Express, PCI-X	QLogic: QLE220-E-SP6, 10, 39, 40, QLE2360-E-SP10, 13, 14, 15	FC-AL, FC-SW	Intel SSR212PPf	Y3, 4, 17, Y3, 4, 41	See16
101	Dell PowerEdge: 1800, 1850; HPQ Proliant: DL14512, DL380(G2)12, DL380(G3)12, DL380(G4)12, DL38012, DL38512, DL580(G2)12, DL580(G3)12, DL58512, ML350(G3)12, ML370(G3)12, ML370(G4)12; IBM: eServer 325 (Model 8835), xSeries x345 (8670), xSeries x445 (8870); Samsung SS140	Microsoft Windows 2000: Advanced Server SP4, Server SP4	PCI, PCI-X	Emulex: LP101-E2, 7, 8, 10, 11, LP982-E2, 7, 8, 10, 11	FC-AL, FC-SW	Intel SSR212PPf	Y3, 4	See1
102	IBM xSeries x36061	Microsoft Windows 2000: Advanced Server SP4, Server SP4	PCI, PCI-X	Emulex: LP1050-E2, 7, 8, 10, 11, LP1150-E2, 5, 6, 7, 8	FC-AL, FC-SW	Intel SSR212PPf	Y3, 4	See1
103	HPQ Proliant: DL380(G4)12, DL38512, DL58512, ML370(G4)12	Microsoft Windows 2000: Advanced Server SP4, Server SP4	PCI, PCI-X	HPQ: AB429A/FC1143 (QLA2460)6, 10, 14, 38, AE369A/FC1243 (QLA2462)6, 10, 14, 38	FC-AL, FC-SW	Intel SSR212PPf	Y3, 4	See16
104	IBM: eServer 325 (Model 8835), xSeries x445 (8870)	Microsoft Windows 2000: Advanced Server SP4, Server SP4	PCI, PCI-X	IBM 19K1246 (QLA2310)10, 13, 14, 27, 43	FC-AL, FC-SW	Intel SSR212PPf	Y3	
105	IBM: eServer 325 (Model 8835), xSeries x345 (8670), xSeries x445 (8870)	Microsoft Windows 2000: Advanced Server SP4, Server SP4	PCI, PCI-X	IBM: 39M5894 (QLA2460)6, 10, 38, 62, 39M5895 (QLA2462)6, 10, 38, 62	FC-AL, FC-SW	Intel SSR212PPf	Y3, 4	See16
106	HPQ Proliant: DL14512, DL380(G2)12, DL380(G3)12, DL380(G4)12, DL38012, DL38512, DL580(G2)12, DL580(G3)12, DL58512, ML350(G3)12, ML370(G3)12, ML370(G4)12; IBM: eServer 325 (Model 8835), xSeries x345 (8670), xSeries x445 (8870); Samsung SS140	Microsoft Windows 2000: Advanced Server SP4, Server SP4	PCI, PCI-X	QLogic: QLA200-E-SP10, 13, 14, 25, QLA210-E-SP6, 25, 57, QLA2340-E-SP10, 13, 14, 27, QLA2460-E-SP6, 10, 13, 14, 38	FC-AL, FC-SW	Intel SSR212PPf	Y3, 4	See16
107	Dell PowerEdge: 1800, 1850	Microsoft Windows 2000: Advanced Server SP4, Server SP4	PCI, PCI-X	QLogic: QLA200-E-SP10, 25, 26, QLA210-E-SP6, 14, 25, QLA2340-E-SP10, 27, 28	FC-AL, FC-SW	Intel SSR212PPf	Y3, 4	See16
108	Dell PowerEdge: 155077, 165077, 2300, 240077, 245077, 250077, 255023, 77, 440077, 6100, 6300, 6350, 640077, 645077, 78, 845077; HPQ Netserver LC: 2000 U3, 2000r; HPQ Netserver: LP 2000r, LPR, LT 6000R; HPQ Proliant: 160012, 185012, 6400R, 800012, 850012, DL32012, DL360(G2)12, 80, DL36012, DL380(G2)12, DL380(G3)12, DL38012, DL58012, ML350(G2)12, 79, ML35012, 79, ML370(G2)12, ML37012,	Microsoft Windows 2000: Advanced Server SP4, Server SP4	PCI	Emulex: LP1050-E2, 7, 8, 10, 11, LP1150-E2, 5, 6, 7, 8	FC-AL, FC-SW	Intel SSR212PPf	Y3, 4	See1

Intel® Storage System SSR212PP-Series

Microsoft Windows 2000*

	ML530(G2)12, ML530(G3)12, ML53012, ML57012, ML75012;								
	IBM Netfinity: 4500R, 8500, 8500R; IBM xSeries: x225, x230, x23261, x24061, x25061, x25561, x33061, x335, x340 (4500R)61, x34261, x350 (6000R)61, x37061								
Microsoft Windows 2000									
No.	Host System	Operating System	Host Bus	Host Bus Adapter	Topology	Storage Array	External Boot	Comments	
109	IBM Netfinity: 4500R, 5000, 5500, 5500 M10, 5500 M20, 5600, 6000R, 7000 M1060, 7100, 7600, 8500, 8500R; IBM xSeries: x225, x230, x23261, x24061, x25061, x25561, x33061, x335, x340 (4500R)61, x34261, x350 (6000R)61, x37061	Microsoft Windows 2000: Advanced Server SP49, Server SP4	PCI	IBM 19K1246 (QLA2310)10, 13, 14, 27, 43	FC-AL, FC-SW	Intel SSR212PPf	Y3		
110	NEC Express 5800: 320La-R83, 320La83, 320Lb-R83, 87, 320Lb83, 87, 330Ma-R83, 330Mb-R82, 83, 84, 340Ha-R82, 83, 84	Microsoft Windows 2000: Advanced Server SP49, Server SP4	PCI	NEC N8803-031 (QLA2310F)10, 13, 14, 27, 85, 86	FC-AL, FC-SW	Intel SSR212PPf	N		
111	Dell PowerEdge: 1800, 1850, 1950, 2800, 2850, 6800, 6850; Digital Henge INNO: HR-4850, HR-6850; HPQ Proliant: DL360(G4)12, DL380(G4)12, DL580(G3)12; LangChao: NC3000, NC3500, NF500, NF520; Samsung: ZSS230, ZSS230D	Microsoft Windows 2000: Advanced Server SP49, Server SP4	PCI Express	Emulex LP1050Ex-E2, 6, 7, 8, 10, 11	FC-AL, FC-SW	Intel SSR212PPf	Y3, 4	See1	
112	Digital Henge INNO: HR-4850, HR-6850; Digital Henge Revo: JS1400, JS2400; HPQ Proliant: DL360(G4)12, DL380(G4)12, DL580(G3)12; LangChao: NC3000, NC3500, NF500, NF520; Samsung: ZSS150, ZSS230, ZSS230D	Microsoft Windows 2000: Advanced Server SP49, Server SP4	PCI Express	Emulex LP1050Ex-E2, 6, 7, 8, 10, 11	FC-AL, FC-SW	Intel SSR212PPf	Y3, 4, 17	See1	
113	Fujitsu Siemens Primergy: RX200 S2, RX600 S2, TX600 S2	Microsoft Windows 2000: Advanced Server SP49, Server SP4	PCI Express	Emulex LP1050Ex-E2, 6, 7, 8, 10, 50	FC-AL, FC-SW	Intel SSR212PPf	Y3, 4, Y3, 4, 17	See1	
114	Samsung: ZSS230, ZSS230D	Microsoft Windows 2000: Advanced Server SP49, Server SP4	PCI Express	Emulex LP982-E2, 6, 7, 8, 10, 11, 18	FC-AL, FC-SW	Intel SSR212PPf	Y3, 4	See1	
115	Dell PowerEdge: 1800, 1850, 1950, 2800, 2850, 6800, 6850; Digital Henge INNO: HR-4850, HR-6850; HPQ Proliant: DL360(G4)12, 47, DL380(G4)12, DL580(G3)12; LangChao: NC3000, NC3500, NF500, NF520; Samsung: ZSS230, ZSS230D	Microsoft Windows 2000: Advanced Server SP49, Server SP4	PCI Express	Emulex LPe111-E2, 6, 10, 35, 36, 37, LPe1150-E2, 6, 7, 8, 42	FC-AL, FC-SW	Intel SSR212PPf	Y3, 4	See1	
116	Digital Henge INNO: HR-4850, HR-6850; Digital Henge Revo: JS1400, JS2400; HPQ Proliant: DL360(G4)12, 47, DL380(G4)12, DL580(G3)12; LangChao: NC3000, NC3500, NF500, NF520; Samsung: ZSS150, ZSS230, ZSS230D	Microsoft Windows 2000: Advanced Server SP49, Server SP4	PCI Express	Emulex LPe111-E2, 6, 10, 35, 36, 37, LPe1150-E2, 6, 7, 8, 42	FC-AL, FC-SW	Intel SSR212PPf	Y3, 4, 17	See1	
117	HPQ Proliant DL360(G4)12	Microsoft Windows 2000: Advanced	PCI Express	HPQ A7560A (LP1050Ex)2, 6, 7, 8, 10	FC-AL, FC-SW	Intel SSR212PPf	Y3, Y3, 17		

		Server SP49 , Server SP4							
118	HPQ Proliant: DL360(G4)12, 47, DL380(G4)12 , DL580(G3)12	Microsoft Windows 2000: Advanced Server SP49 , Server SP4	PCI Express	HPQ A8002A/FC2142SR (LPe1150)2, 6, 7, 8, 42	FC-AL, FC-SW	Intel SSR212PP f	Y3, Y3, 17		
119	HPQ Proliant: DL360(G4)12, DL360(G4)12, 47, DL380(G4)12	Microsoft Windows 2000: Advanced Server SP49 , Server SP4	PCI Express	HPQ AE311A/FC1142SR (QLE2460)6, 10, 13, 14, 38	FC-AL, FC-SW	Intel SSR212PP f	Y3, Y3, 17		
120	Samsung: ZSS230, ZSS230D	Microsoft Windows 2000: Advanced Server SP49 , Server SP4	PCI Express	QLogic QLA2340-E-SP10, 13, 14, 27, 48	FC-AL, FC-SW	Intel SSR212PP f	Y3, 4	See16	
121	Digital Henge INNO: HR-4850T, HR-6850T; Intel: SC5300AF2, SE7520BB2, SR1400/SE7520JR2, SR2400/SE7520JR2, SR4850HW4-M/SR6850HW4-M, SR4850HW4/SR6850HW4; Lenovo SureServer: R630 G5, R650, R650 G5, T650	Microsoft Windows 2000: Advanced Server SP49 , Server SP4	PCI Express, PCI-X	Emulex LP982-E2, 6, 7, 8, 10, 11, 18	FC-AL, FC-SW	Intel SSR212PP f	Y3, 4	See1	
Microsoft Windows 2000									
No.	Host System	Operating System	Host Bus	Host Bus Adapter	Topology	Storage Array	External Boot	Comments	
122	Dell PowerEdge: 1900, 2900, 2950, 6950; Digital Henge INNO: HR-4850T, HR-6850T; Digital Henge Revo: AS1500, AS1550, AS2500; Intel: SR1500/S5000PAL, SR2500/S5000PAL, SR4850HW4-M/SR6850HW4-M, SR4850HW4/SR6850HW4; Lenovo SureServer: R630 G5, R650, R650 G5, T650; Samsung ZSS132	Microsoft Windows 2000: Advanced Server SP49 , Server SP4	PCI Express, PCI-X	Emulex: LP1050Ex-E2, 6, 7, 8, 10, 11, LPe111-E2, 6, 10, 35, 36, 37, LPe1150-E2, 6, 7, 8, 42	FC-AL, FC-SW	Intel SSR212PP f	Y3, 4	See1	
123	Digital Henge INNO: HR-4850T, HR-6850T; Intel: SC5300AF2, SE7520BB2, SR1400/SE7520JR2, SR2400/SE7520JR2, SR4850HW4-M/SR6850HW4-M, SR4850HW4/SR6850HW4; Lenovo SureServer: R630 G5, R650, R650 G5, T650	Microsoft Windows 2000: Advanced Server SP49 , Server SP4	PCI Express, PCI-X	Emulex: LP1050Ex-E2, 6, 7, 8, 10, 11, LPe111-E2, 6, 10, 35, 36, 37, LPe1150-E2, 6, 7, 8, 42	FC-AL, FC-SW	Intel SSR212PP f	Y3, 4, 17	See1	
124	Digital Henge INNO: HR-4850T, HR-6850T; Intel: SC5300AF2, SE7520BB2, SR1400/SE7520JR2, SR2400/SE7520JR2, SR4850HW4-M/SR6850HW4-M, SR4850HW4/SR6850HW4; Lenovo SureServer: R630 G5, R650, R650 G5, T650	Microsoft Windows 2000: Advanced Server SP49 , Server SP4	PCI Express, PCI-X	QLogic QLA2340-E-SP10, 13, 14, 27, 48	FC-AL, FC-SW	Intel SSR212PP f	Y3, 4	See16	
125	Dell PowerEdge: 1600SC, 1750, 260077, 2650, 2800, 2850, 460077, 660077, 665077, 6800, 6850; Digital Henge INNO: HR-4850, HR-6850, SH4500; HPQ Proliant: BL40p, DL360(G3)12, DL360(G4)12 , DL56012, DL74012, DL760 (G2)12, DL76012 , ML570(G2)12; IBM xSeries: x23561, x36061, x365, x440, x44061; LangChao: NC2000, NC3000, NC3500, NF420, NF500, NF520; Lenovo: ShenTeng R630, SureServer R630 6003, SureServer R630 6004, SureServer T630 6003, SureServer T630 6004;	Microsoft Windows 2000: Advanced Server SP49 , Server SP4	PCI-X	Emulex LP1050-E2, 7, 8, 10, 11	FC-AL, FC-SW	Intel SSR212PP f	Y3, 4	See1	

Intel® Storage System SSR212PP-Series

Microsoft Windows 2000*

	Samsung: SS210, SS3400, SS3440, SS370, SS3840, ZSS150; Sun: V20z, V40z, x4100, x4200							
126	IBM xSeries x3850/x366 (8863)52	Microsoft Windows 2000: Advanced Server SP49 , Server SP4	PCI-X	Emulex LP1050-E2, 7, 8, 10, 11	FC-AL, FC-SW	Intel SSR212PPf	Y3, 4, 41	See1
127	HPQ Proliant DL360(G4)12	Microsoft Windows 2000: Advanced Server SP49 , Server SP4	PCI-X	Emulex LP1050Ex-E2, 6, 7, 8, 10, 11	FC-AL, FC-SW	Intel SSR212PPf	Y3, 4, Y3, 4, 17	See1
128	Dell PowerEdge: 1600SC, 1750, 260077, 2650, 460077 , 660077, 665077; Digital Henge INNO: HR-4850, HR-6850, SH4500; HPQ Proliant: BL40p, DL360(G3)12, DL360(G4)12, 47, DL56012, DL74012, DL760 (G2)12, DL76012 , ML570(G2)12; IBM xSeries: x23561, x36061, x365, x440, x44061; LangChao: NC2000, NC3000, NC3500, NF420, NF500, NF520; Lenovo: ShenTeng R630, SureServer R630 6003, SureServer R630 6004, SureServer T630 6003, SureServer T630 6004; Samsung: SS210, SS3400, SS3440, SS370, SS3840, ZSS150; Sun: V20z, V40z, x4100, x4200	Microsoft Windows 2000: Advanced Server SP49 , Server SP4	PCI-X	Emulex LP1150-E2, 5, 6, 7, 8	FC-AL, FC-SW	Intel SSR212PPf	Y3, 4	See1
129	Digital Henge INNO: HR-4850, HR-6850; HPQ Proliant BL40p; LangChao: NC3000, NC3500, NF500, NF520; Samsung ZSS150	Microsoft Windows 2000: Advanced Server SP49 , Server SP4	PCI-X	Emulex LP982-E2, 6, 7, 8, 10, 11, 18	FC-AL, FC-SW	Intel SSR212PPf	Y3, 4	See1
130	HPQ Proliant DL360(G4)12, 47	Microsoft Windows 2000: Advanced Server SP49 , Server SP4	PCI-X	Emulex: LPe111-E2, 6, 10, 35, 36, 37, LPe1150-E2, 6, 7, 8, 42	FC-AL, FC-SW	Intel SSR212PPf	Y3, 4, Y3, 4, 17	See1
131	HPQ Proliant DL360(G4)12, 47	Microsoft Windows 2000: Advanced Server SP49 , Server SP4	PCI-X	HPQ A8002A/FC2142SR (LPe1150)2, 6, 7, 8, 42	FC-AL, FC-SW	Intel SSR212PPf	Y3, Y3, 17	

Microsoft Windows 2000

No.	Host System	Operating System	Host Bus	Host Bus Adapter	Topology	Storage Array	External Boot	Comments
132	HPQ Proliant: DL360(G4)12, DL360(G4)12, 47	Microsoft Windows 2000: Advanced Server SP49 , Server SP4	PCI-X	HPQ AE311A/FC1142SR (QLE2460)6, 10, 13, 14, 38	FC-AL, FC-SW	Intel SSR212PPf	Y3, Y3, 17	
133	HPQ Proliant BL45p	Microsoft Windows 2000: Advanced Server SP49 , Server SP4	PCI-X	HPQ: Dual-port Fibre Channel Adapter for HP Proliant BL25p/BL45p 381881-B216, 10, 13, 14, 73, Emulex-based BL25/30/35/45p Fibre Channel Mezzanine HBA - 394588-B212, 7, 8, 10, 65	FC-AL, FC-SW	Intel SSR212PPf	Y3	
134	Digital Henge INNO: HR-4850, HR-6850; HPQ Proliant BL40p; LangChao: NC3000, NC3500, NF500, NF520; Samsung ZSS150	Microsoft Windows 2000: Advanced Server SP49 , Server SP4	PCI-X	QLogic QLA2340-E-SP10, 13, 14, 27, 48	FC-AL, FC-SW	Intel SSR212PPf	Y3, 4	See16

135	Digital Henge INNO: HR-4850, HR-6850; HPQ Proliant BL40p; LangChao: NC3000, NC3500, NF500, NF520; Samsung ZSS150; Sun: x4100, x4200	Microsoft Windows 2000: Advanced Server SP49, Server SP4	PCI-X	QLogic QLA2460-E-SP6, 10, 13, 14, 38	FC-AL, FC-SW	Intel SSR212PPf	Y3, 4	See16
136	HPQ Proliant BL20p (G2)	Microsoft Windows 2000: Advanced Server SP49, Server SP4	PCI-X20	HPQ Dual-port Fibre Channel Adapter for HP Proliant BL20p (G2) 300874-B2110, 13, 14, 21	FC-AL, FC-SW	Intel SSR212PPf	Y3	
137	HPQ Proliant BL20p: (G3), (G4)	Microsoft Windows 2000: Advanced Server SP49, Server SP4	PCI-X20	HPQ: Dual-port Fibre Channel Adapter for HP Proliant BL20p (G3) 361426-B2110, 13, 14, 21, Emulex-based BL20p (G3) Fibre Channel Mezzanine HBA - 394757-B212, 7, 8, 10, 65	FC-AL, FC-SW	Intel SSR212PPf	Y3	
138	HPQ Proliant BL25p	Microsoft Windows 2000: Advanced Server SP49, Server SP4	PCI-X20	HPQ: Dual-port Fibre Channel Adapter for HP Proliant BL25p/BL45p 381881-B216, 10, 13, 14, 73, Emulex-based BL25/30/35/45p Fibre Channel Mezzanine HBA - 394588-B212, 7, 8, 10, 65	FC-AL, FC-SW	Intel SSR212PPf	Y3	
139	HPQ Proliant BL30p	Microsoft Windows 2000: Advanced Server SP49, Server SP4	PCI-X20	HPQ: Dual-port Fibre Channel Adapter for HP Proliant BL30p/BL35p 354054-B2110, 13, 14, 21, Emulex-based BL25/30/35/45p Fibre Channel Mezzanine HBA - 394588-B212, 7, 8, 10, 65	FC-AL, FC-SW	Intel SSR212PPf	Y3, 19	
140	IBM xSeries: x3800/x260 (8865)52, x3950/x3950E/x460 (8872, 8874)52	Microsoft Windows 2000: Advanced Server SP49, Server SP4	PCI-X51	Emulex LP1050-E2, 7, 8, 10, 11	FC-AL, FC-SW	Intel SSR212PPf	Y3, 4, 41	See1
141	Digital Henge Rev0: JS1400, JS2400	Microsoft Windows 2000: Advanced Server SP49, Server SP4	PCI-X74	Emulex LP982-E2, 6, 7, 8, 10, 11, 18	FC-AL, FC-SW	Intel SSR212PPf	Y3, 4	See1
142	Digital Henge Rev0: JS1400, JS2400	Microsoft Windows 2000: Advanced Server SP49, Server SP4	PCI-X74	QLogic QLA2340-E-SP10, 13, 14, 27, 48	FC-AL, FC-SW	Intel SSR212PPf	Y3, 4	See16
143	HPQ Proliant: DL380(G5), DL580(G4)	Microsoft Windows 2000: Advanced Server SP49, Server SP4	PCI, PCI Express, PCI-X	Emulex LP1150-E2, 5, 6, 7, 8	FC-AL, FC-SW	Intel SSR212PPf	Y3, 4	See1
144	HPQ Proliant: DL380(G4)12, DL380(G5), DL580(G4)	Microsoft Windows 2000: Advanced Server SP49, Server SP4	PCI, PCI Express, PCI-X	Emulex LPe1150-E2, 6, 7, 8, 42	FC-AL, FC-SW	Intel SSR212PPf	Y3, 4	See1
145	HPQ Proliant: DL380(G5), DL580(G4)	Microsoft Windows 2000: Advanced Server SP49, Server SP4	PCI, PCI Express, PCI-X	Emulex LPe1150-E2, 6, 7, 8, 42	FC-AL, FC-SW	Intel SSR212PPf	Y3, 4, 17	See1
146	HPQ Proliant DL380(G4)12	Microsoft Windows 2000: Advanced Server SP49, Server SP4	PCI, PCI Express, PCI-X	Emulex: LP1050Ex-E2, 6, 7, 8, 10, 11, LPe111-E2, 6, 10, 35, 36, 37	FC-AL, FC-SW	Intel SSR212PPf	Y3, 4	See1
147	HPQ Proliant: DL380(G5), DL580(G4)	Microsoft Windows 2000: Advanced Server SP49, Server SP4	PCI, PCI Express, PCI-X	HPQ: A8002A/FC2142SR (LPe1150)2, 6, 7, 8, 42, AE311A/FC1142SR (QLE2460)6, 10, 13, 14, 38	FC-AL, FC-SW	Intel SSR212PPf	Y3, Y3, 17	
148	Dell PowerEdge: 1800, 1850; HPQ Proliant: DL14512, DL380(G4)12, DL38512, DL580(G2)12, DL580(G3)12, DL58512, ML350(G3)12, ML370(G3)12, ML370(G4)12; IBM: eServer 325 (Model 8835), xSeries x345 (8670)61, xSeries x445 (8870); Samsung SS140	Microsoft Windows 2000: Advanced Server SP49, Server SP4	PCI, PCI-X	Emulex LP1050-E2, 7, 8, 10, 11	FC-AL, FC-SW	Intel SSR212PPf	Y3, 4	See1

Microsoft Windows 2000

No.	Host System	Operating System	Host Bus	Host Bus Adapter	Topology	Storage Array	External Boot	Comments
-----	-------------	------------------	----------	------------------	----------	---------------	---------------	----------

Intel® Storage System SSR212PP-Series
Microsoft Windows 2000*

149	HPQ Proliant: DL14512, DL380(G4)12, DL38512 , DL580(G2)12, DL580(G3)12, DL58512, ML350(G3)12 , ML370(G3)12, ML370(G4)12; IBM: eServer 325 (Model 8835), xSeries x345 (8670)61, xSeries x445 (8870); Samsung SS140	Microsoft Windows 2000: Advanced Server SP49 , Server SP4	PCI, PCI-X	Emulex LP1150-E2, 5, 6, 7, 8	FC-AL, FC-SW	Intel SSR212PP f	Y3, 4	See1
150	IBM: eServer 325 (Model 8835), xSeries x345 (8670)61, xSeries x445 (8870)	Microsoft Windows 2000: Advanced Server SP49 , Server SP4	PCI, PCI-X	IBM 19K1246 (QLA2310)10, 13, 14, 27, 43	FC-AL, FC-SW	Intel SSR212PP f	Y3	
151	Samsung: ZSS230, ZSS230D	Microsoft Windows 2000 Advanced Server: SP4, SP49; Microsoft Windows 2000 Server SP4	PCI Express	Samsung Intel (r) Fibre Channel Module AHWFCMOD6, 10, 13, 14, 45, 49	FC-SW	Intel SSR212PP f	Y3, 4	See1
152	Samsung: ZSS230, ZSS230D	Microsoft Windows 2000 Advanced Server: SP4, SP49; Microsoft Windows 2000 Server SP4	PCI Express	Samsung Intel (r) Fibre Channel Module AHWFCMOD6, 10, 13, 14, 45, 49	FC-SW	Intel SSR212PP f	Y3, 4	See16
153	Digital Henge INNO: HR-4850T, HR-6850T; Intel: SR4850HW4-M/SR6850HW4-M, SR4850HW4/SR6850HW4; Lenovo SureServer: R630 G5, R650, R650 G5, T650	Microsoft Windows 2000 Advanced Server: SP4, SP49; Microsoft Windows 2000 Server SP4	PCI Express, PCI-X	Digital Henge Intel (r) Fibre Channel Module AHWFCMOD6, 10, 13, 14, 45, 49	FC-SW	Intel SSR212PP f	Y3, 4	See1
154	Digital Henge INNO: HR-4850T, HR-6850T; Intel: SR4850HW4-M/SR6850HW4-M, SR4850HW4/SR6850HW4; Lenovo SureServer: R630 G5, R650, R650 G5, T650	Microsoft Windows 2000 Advanced Server: SP4, SP49; Microsoft Windows 2000 Server SP4	PCI Express, PCI-X	Digital Henge Intel (r) Fibre Channel Module AHWFCMOD6, 10, 13, 14, 45, 49	FC-SW	Intel SSR212PP f	Y3, 4	See16
155	Digital Henge INNO: HR-4850, HR-6850	Microsoft Windows 2000 Advanced Server: SP4, SP49; Microsoft Windows 2000 Server SP4	PCI-X	Digital Henge Intel (r) Fibre Channel Module AHWFCMOD6, 10, 13, 14, 45, 49	FC-SW	Intel SSR212PP f	Y3, 4	See1
156	Digital Henge INNO: HR-4850, HR-6850	Microsoft Windows 2000 Advanced Server: SP4, SP49; Microsoft Windows 2000 Server SP4	PCI-X	Digital Henge Intel (r) Fibre Channel Module AHWFCMOD6, 10, 13, 14, 45, 49	FC-SW	Intel SSR212PP f	Y3, 4	See16
157	IBM BladeCenter HS20 (Model: 7981), 8843); IBM BladeCenter LS20 (Model 8850)	Microsoft Windows 2000 Advanced Server: SP4, SP49; Microsoft Windows 2000 Server SP4	PCI-X	IBM Emulex 4Gb SFF Fibre Channel Exp Card (39Y9186)5, 6, 32, 33	FC-SW	Intel SSR212PP f	Y31	See29
158	Digital Henge INNO: HR-4850, HR-6850	Microsoft Windows 2000: Advanced Server SP4, Server SP4	PCI Express	Digital Henge Intel (r) Fibre Channel Module AHWFCMOD6, 10, 13, 14, 45, 49	FC-SW	Intel SSR212PP f	Y3, 4, Y3, 4, 17, Y3, 4, 41	See16
159	Samsung: ZSS230, ZSS230D	Microsoft Windows 2000: Advanced Server SP4, Server SP4	PCI Express	Samsung Intel (r) Fibre Channel Module AHWFCMOD6, 10, 13, 14, 45, 49	FC-SW	Intel SSR212PP f	Y3, 4, 17, Y3, 4, 41	See16
160	Digital Henge INNO: HR-4850T, HR-6850T; Intel: SR4850HW4-M/SR6850HW4-M, SR4850HW4/SR6850HW4; Lenovo SureServer: R630 G5, R650, R650 G5, T650	Microsoft Windows 2000: Advanced Server SP4, Server SP4	PCI Express, PCI-X	Digital Henge Intel (r) Fibre Channel Module AHWFCMOD6, 10, 13, 14, 45, 49	FC-SW	Intel SSR212PP f	Y3, 4, 17, Y3, 4, 41	See16

161	Bull NovaScale: 2021, 2040, 2320	Microsoft Windows 2000: Advanced Server SP4, Server SP4	PCI-X	Bull 2Gbps FC Mezzanine Card – Dual port for NovaScale Blade Series CFSN202–110010, 13, 14, 34	FC-SW	Intel SSR212PPf	Y		
Microsoft Windows 2000									
No.	Host System	Operating System	Host Bus	Host Bus Adapter	Topology	Storage Array	External Boot	Comments	
162	Bull NovaScale: 2021, 2320	Microsoft Windows 2000: Advanced Server SP4, Server SP4	PCI-X	Bull: 2Gbps FC Mezzanine Card – Dual port mini for NovaScale Blade 2021 CFSN202–210010, 13, 14, 34, SBEFCM (SFF) Mezzanine HBA6, 10, 13, 14, 34, SBEFCM4 (SFF) 4Gb Mezzanine HBA6, 10, 14, 67, 81	FC-SW	Intel SSR212PPf	Y		
163	Digital Henge INNO: HR-4850, HR-6850	Microsoft Windows 2000: Advanced Server SP4, Server SP4	PCI-X	Digital Henge Intel (r) Fibre Channel Module AHWFCMOD6, 10, 13, 14, 45, 49	FC-SW	Intel SSR212PPf	Y3, 4, 17	See16	
164	IBM BladeCenter HS20 (Model: 7981), 8843); IBM BladeCenter LS20 (Model 8850)	Microsoft Windows 2000: Advanced Server SP4, Server SP4	PCI-X	IBM HS20 4GB SFF FC Exp Card (26R0890)6, 13, 14, 67	FC-SW	Intel SSR212PPf	Y	See29	
165	Intel SBXD62 Blade Server	Microsoft Windows 2000: Advanced Server SP4, Server SP4	PCI-X	Intel: SBEFCM (SFF) Mezzanine HBA6, 10, 13, 14, 34, SBEFCM4 (SFF) 4Gb Mezzanine HBA6, 10, 14, 67, 81	FC-SW	Intel SSR212PPf	Y		
166	Digital Henge INNO: HR-4850, HR-6850	Microsoft Windows 2000: Advanced Server SP49, Server SP4	PCI Express	Digital Henge Intel (r) Fibre Channel Module AHWFCMOD6, 10, 13, 14, 45, 49	FC-SW	Intel SSR212PPf	Y3, 4, Y3, 4, 17	See1	
167	Samsung: ZSS230, ZSS230D	Microsoft Windows 2000: Advanced Server SP49, Server SP4	PCI Express	Samsung Intel (r) Fibre Channel Module AHWFCMOD6, 10, 13, 14, 45, 49	FC-SW	Intel SSR212PPf	Y3, 4, 17	See1	
168	Digital Henge INNO: HR-4850T, HR-6850T; Intel: SR4850HW4–M/SR6850HW4–M, SR4850HW4/SR6850HW4; Lenovo SureServer: R630 G5, R650, R650 G5, T650	Microsoft Windows 2000: Advanced Server SP49, Server SP4	PCI Express, PCI-X	Digital Henge Intel (r) Fibre Channel Module AHWFCMOD6, 10, 13, 14, 45, 49	FC-SW	Intel SSR212PPf	Y3, 4, 17	See1	
169	IBM BladeCenter HS20 (Model: 7981), 8678)29, 8832)29, 8832–N1X), 8843); IBM BladeCenter HS40 (Model 8839)	Microsoft Windows 2000: Advanced Server SP49, Server SP4	PCI-X	IBM Emulex LP1005DC FC Exp Card2, 6, 7, 8, 10, 71	FC-SW	Intel SSR212PPf	Y	See29	
170	IBM BladeCenter HS20 (Model: 7981), 8678)29, 8832)29, 8843); IBM BladeCenter: HS40 (Model 8839), LS20 (Model 8850)	Microsoft Windows 2000: Advanced Server SP49, Server SP4	PCI-X	IBM HS20 4GB Standard FC Exp Card (26R0884)6, 13, 14, 67	FC-SW	Intel SSR212PPf	Y	See29	
171	IBM BladeCenter HS20 (Model: 7981), 8678)29, 8832)29, 8832–N1X); IBM BladeCenter HS40 (Model 8839)	Microsoft Windows 2000: Advanced Server SP49, Server SP4	PCI-X	IBM HS20 FC Exp Card (13N2203)10, 13, 14, 27, 30	FC-SW	Intel SSR212PPf	Y	See29	
172	IBM BladeCenter HS20 (Model: 7981), 8843)	Microsoft Windows 2000: Advanced Server SP49, Server SP4	PCI-X	IBM HS20 FC Exp Card (13N2203)10, 13, 14, 27, 30, 66	FC-SW	Intel SSR212PPf	Y	See29	
173	IBM BladeCenter HS20 (Model: 7981), 8843); IBM BladeCenter LS20 (Model 8850)	Microsoft Windows 2000: Advanced Server SP49, Server SP4	PCI-X	IBM HS20 FC Exp Card (26K4841)10, 13, 14, 27, 30, 58	FC-SW	Intel SSR212PPf	Y	See29	
174	IBM BladeCenter HS20 (Model: 7981), 8678)29, 8832)29, 8843); IBM BladeCenter HS40 (Model 8839)	Microsoft Windows 2000: Advanced Server SP49, Server SP4	PCI-X	IBM HS20 FC Exp Card (48P7061)6, 10, 13, 14, 27	FC-SW	Intel SSR212PPf	Y	See29	

- EMC provides in-depth documentation for configurations with Emulex HBAs that contains helpful information for installing and configuring Emulex HBAs with EMC Storage. Visit the EMC driver page on the Emulex website (<http://www.emulex.com/ts/docoem/emc/index.html>) and download part number 300-001-157 for guide "EMC Fibre Channel with Emulex Host Bus Adapters in the Windows Environment."
- BIOS 1.70a3
- EMC does not support booting from external arrays if the boot LUN uses a FAT32 file system and Powerpath is installed. For Powerpath/Boot support, NTFS must be used.

Intel® Storage System SSR212PP-Series

Microsoft Windows 2000*

4. EMC provides documentation for boot configurations that contains helpful information for systems booting from EMC storage. Visit EMC Powerlink and download part number 300-000-603 for the Windows Host Connectivity Guide.
5. Firmware Version 2.10a10
6. SNIA HBA API Supported.
7. Driver Version 2.40a3 SCSI FC Port driver
8. Driver Version 2.41a1 SCSI FC Port driver
9. Windows 2000 hosts running less than SP4 could be susceptible to data loss during LUN expansion operations. This issue is corrected by Microsoft in SP4, or by applying hotfix 327020. See EMC Solution IS emc73538 and Microsoft Knowledge Base article 327020 for more information.
10. EMC recommends upgrading to the most recent, EMC-Approved, HBA driver.
11. Firmware Version 1.91a5
12. HPQ (Compaq) Proliant server models that are not listed in the ESM but are only differentiated from supported models by an "R" designator, are rack-mountable servers and are supported.
13. Driver Version 9.1.2.10
14. Driver Version 9.1.2.11
15. BIOS 1.05
16. EMC provides in-depth documentation for configurations with QLogic HBAs that contains helpful information for installing and configuring QLogic HBAs with EMC Storage. This documentation is located in the EMC section of the QLogic website (<http://www.qlogic.com>) along with HBA drivers, and BIOS.
17. Legacy (x86) boot mode supported only for this server. EFI boot is not supported. EFI boot code should be removed from the HBA if installed.
18. The Emulex LP9XXX HBA family requires a host PCI bus capable of supplying 3.3 VDC bus power. The PCI slot can use either 3.3 VDC or 5.0 VDC signaling interfaces.
19. For external boot configurations running EMC Powerpath on Windows 2000, HP Proliant BL30p & BL35p require a minimum of Powerpath version 4.4.1.
20. Dual port PCI-X fibre channel mezzanine card option is embedded. No PCI/PCI-X slots available.
21. BIOS 1.45
22. Not supported with Emulex LP8000-EMC HBA.
23. PowerEdge 2550 and PowerVault 775N support a maximum of 2 Emulex HBAs at one time and the total PCI power cannot exceed 20 Watts.
24. For AX100 configurations, only Dell PowerVault systems with dual CPUs are supported.
25. BIOS 1.23
26. Driver Version 9.1.2.10 This driver requires Microsoft SCSIPort hotfix Q883114. Please see [http://support.microsoft.com/default.aspx?scid=kb;\[LN\];883114](http://support.microsoft.com/default.aspx?scid=kb;[LN];883114)
27. BIOS 1.47
28. Driver Version 9.1.2.11 This driver requires Microsoft SCSIPort hotfix Q883114. Please see [http://support.microsoft.com/default.aspx?scid=kb;\[LN\];883114](http://support.microsoft.com/default.aspx?scid=kb;[LN];883114)
29. EMC VolumeLogix Software required for multiple BladeServers when direct-attached to EMC Symmetrix storage.
30. Due to the HS20's embedded FC-SW design, array lun masking is required to assign LUNS to each individual blade server.
31. Internal port(s) on QLogic or McData 4Gb FC switch module(s) must be set to 4Gb to SAN boot.
32. Driver Version 2.40a3
33. BIOS 1.71a0
34. BIOS 1.43
35. Driver Version 2.40a3 END OF LIFE NOTICE: SCSI miniport and SCSI full port drivers are frozen and EOL at this time for Windows 2003 operating systems. EMC recommends migrating to the currently supported STORPort driver for your HBA. EMC will continue to support existing customers who have Windows 2003 SCSI drivers installed, but any fixes or HCL support will require an upgrade to STORPort. Refer to SalesAdvantage articles for the benefits of using STORPort drivers and information on migrating from SCSI to STOR under Windows 2003. SCSI drivers listed in the April 2006 ESM will be the last supported SCSI drivers for Windows 2003. As of 2.40a2 Microsoft will no longer allow the Emulex Port Driver to be used in any HCT LOGO solution or block submissions. The Port driver is still digitally signed, but STORPort drivers will be required for all new HCT LOGO solution and block submissions.
36. Firmware Version 2.50a8
37. Driver Version 2.41a1 END OF LIFE NOTICE: SCSI miniport and SCSI full port drivers are frozen and EOL at this time for Windows 2003 operating systems. EMC recommends migrating to the currently supported STORPort driver for your HBA. EMC will continue to support existing customers who have Windows 2003 SCSI drivers installed, but any fixes or HCL support will require an upgrade to STORPort. Refer to SalesAdvantage articles for the benefits of using STORPort drivers and information on migrating from SCSI to STOR under Windows 2003. SCSI drivers listed in the April 2006 ESM will be the last supported SCSI drivers for Windows 2003. As of 2.40a2 Microsoft will no longer allow the Emulex Port Driver to be used in any HCT LOGO solution or block submissions. The Port driver is still digitally signed, but STORPort drivers will be required for all new HCT LOGO solution and block submissions.
38. BIOS 1.08
39. Driver Version 9.1.2.14 END OF LIFE NOTICE: SCSI miniport and SCSI full port drivers are frozen and EOL at this time for Windows 2003 operating systems. EMC recommends migrating to the currently supported STORPort driver for your HBA. EMC will continue to support existing customers who have Windows 2003 SCSI drivers installed, but any fixes or HCL support will require an upgrade to STORPort. Refer to SalesAdvantage articles for the benefits of using STORPort drivers and information on migrating from SCSI to STOR under Windows 2003. SCSI drivers listed in the April 2006 ESM will be the last supported SCSI drivers for Windows 2003. SCSI Miniport (SCSIPort) Driver. EMC recommends using STORPort drivers where available.
40. BIOS 1.02
41. When booting from an external storage array, press F1 during server POST and set BIOS Start Options to point to the bus slot containing the SAN boot adapter (Default is Planar SCSI.)
42. Firmware Version 2.50a6
43. **This HBA is equivalent to the QLogic QLA2310.**
44. 4GB HBAs are not supported in this server. RPQs for 4GB HBAs will not be approved for this server.
45. BIOS 1.06
46. Driver Version 9.1.2.14 END OF LIFE NOTICE: SCSI miniport and SCSI full port drivers are frozen and EOL at this time for Windows 2003 operating systems. EMC recommends migrating to the currently supported STORPort driver for your HBA. EMC will continue to support existing customers who have Windows 2003 SCSI drivers installed, but any fixes or HCL support will require an upgrade to STORPort. Refer to SalesAdvantage articles for the benefits of using STORPort drivers and information on migrating from SCSI to STOR under Windows 2003. SCSI drivers listed in the April 2006 ESM will be the last supported SCSI drivers for Windows 2003. SCSI Miniport (SCSIPort) Driver. EMC recommends using STORPort drivers where available. This driver requires Microsoft SCSIPort hotfix Q883114. Please see [http://support.microsoft.com/default.aspx?scid=kb;\[LN\];883114](http://support.microsoft.com/default.aspx?scid=kb;[LN];883114)
47. Proliant DL360 G4 servers with a BIOS prior to P52 may not be running a fully ACPI-compliant BIOS. Emulex 4gb HBAs require the latest ACPI-compliant BIOS and your server may require Windows 2000 to be reinstalled. You do not need to reinstall Windows 2000 if you had an ACPI-compliant BIOS and then upgraded to a newer ACPI-compliant BIOS. You only need to reinstall Windows 2000 if you did not have an ACPI BIOS or an ACPI-compliant BIOS before you upgraded the BIOS. Refer to Microsoft knowledge base article 256841 for more information. (<http://support.microsoft.com/?kbid=256841&sd=RMVP>)
48. PowerPath supported. ATF/CDE not supported.
49. This dual port HBA is only supported on DELL PE 6850 in the right-most slot (seen from the rear of the server chassis) marked "FC"

Intel® Storage System SSR212PP-Series

50. Firmware Version 1.91a1
51. Accepts PCI-X 1.0 and 2.0 HBAs.
52. Support for 4Gb fibre channel HBAs requires an IBM SPORE to be submitted to IBM.
53. Driver Version 9.1.2.14
54. BIOS 1.16
55. Update Rollup 1 for Windows 2000 SP4 is supported. For more information on this Rollup and to download the necessary software, please see <http://support.microsoft.com/default.aspx?scid=kb;en-us;891861>
56. Host must be offline for interfamily Symmetrix microcode upgrade.
57. Driver Version 9.1.2.11 Minimum supported driver due to compatibility reasons.
58. Refer to EMC Knowledgebase ID emc105679 for any special HBA drivers that may be required.
59. This HBA is equivalent to the QLogic QLA2340.
60. This server only supports 5 Volt HBAs: QLogic 22XX family (if applicable), QLogic 23XX family, Emulex LP8000, and Emulex LP850 (if applicable).
61. For IBM xSeries Servers running Windows 2000 with IBM ServerRaid controller 4M, the ServerRaid Driver must be 6.00 or above for use with EMC PowerPath 3.0 and above. IBM driver can be downloaded at: <http://www-3.ibm.com/pc/support/site.wss/document.do?Indocid=MIGR-39723>
62. Driver Version 9.1.2.11 END OF LIFE NOTICE: SCSI miniport and SCSI full port drivers are frozen and EOL at this time for Windows 2003 operating systems. EMC recommends migrating to the currently supported STORPort driver for your HBA. EMC will continue to support existing customers who have Windows 2003 SCSI drivers installed, but any fixes or HCL support will require an upgrade to STORPort. Refer to SalesAdvantage articles for the benefits of using STORPort drivers and information on migrating from SCSI to STOR under Windows 2003. SCSI drivers listed in the April 2006 ESM will be the last supported SCSI drivers for Windows 2003. SCSI Miniport (SCSIPort) Driver. EMC recommends using STORPort drivers where available.
63. **FSC Fibre Channel module. Dual channel 2GBit/s HBA for BX6xx-series blade servers only.**
64. BX6xx-series systems use an embedded fibre channel controller. Contact Fujitsu Siemens to acquire the proper BIOS for the embedded fibre channel controller.
65. Firmware Version 1.91a2
66. Dual-port FC switch module. Can be used in place of Optical PassThru Module (OPM.)
67. BIOS 1.12
68. Driver Version 2.30a2 SCSI FC Port driver
69. Driver Version 2.21a0
70. Driver Version 2.22a8
71. Firmware Version 1.90a5
72. Firmware Version 1.90a4
73. BIOS 1.48
74. PCI-X slots in this server only support low-profile hbas with low-profile brackets. Please ensure your HBA vendor has included the proper bracket to fit this server.
75. EMC supported drivers, firmware, and boot BIOS can be downloaded from <http://www.emulex.com> in the EMC section, by obtaining the supported driver for the Emulex LP1050-E.
76. BX600 uses an embedded fibre channel controller. Contact Fujitsu Siemens to acquire proper BIOS for embedded fibre channel controller.
77. If using Dell PERC Controller, requires PERC 2 or PERC 3 with OpenManager 3.0 and Array Manager 3.1. The afamgt.sys must be version 2.6.0.3486 (or above).
78. Dell PowerEdge 6450 does not support Emulex LP9802/DC HBAs.
79. HPQ Proliant ML350 (1GHz) : D04,F04 (11/13/2000) , HPQ Proliant ML350(600,733,800,866,933 MHz) : D02, F04 (11/13/2000).
80. Requires minimum BIOS v4.01 rev A (5/17/2002) for use with Emulex HBAs.
81. Driver Version 9.1.2.16 Requires Microsoft STORPort hotfix Q916048. Please see [http://support.microsoft.com/default.aspx?scid=kb;\[LN\];916048](http://support.microsoft.com/default.aspx?scid=kb;[LN];916048). NOTE: Hotfix Q916048 currently requires Service Pack 1 (SP1) to be installed before the hotfix can be installed. Requires Microsoft STORPort hotfix Q903081. Please see [http://support.microsoft.com/default.aspx?scid=kb;\[LN\];903081](http://support.microsoft.com/default.aspx?scid=kb;[LN];903081) STORPort Miniport Driver Requires Microsoft STORPort hotfix Q908980. Please see [http://support.microsoft.com/default.aspx?scid=kb;\[LN\];908980](http://support.microsoft.com/default.aspx?scid=kb;[LN];908980)
82. Systems running Stratus OS 1.2.2.X or 1.3 require MS hotfix Q327477 and VxVM 2.7 Hotfix 5A. Stratus OS 1.3.1 and above incorporates these hotfixes.
83. Bus Enumeration Issue Causes Problems using SYMCLI SCSI bus enumeration of disks will change depending on cold boot or warm boot. This causes symcli commands to fail because the path is changed and SYMCLI can no longer communicate with the Symmetrix. By "shutdown" and booting system, internal disks are assigned first, followed by Symmetrix disks. By "restart" the system, Symmetrix disks are assigned first, followed by internal disks. Drive letter are not changed in both cases. The workaround is to perform "symcfg discover" after rebooting.
84. Supports Stratus OS 1.3.X through 2.1.X.
85. QLogic SANSurfer/SANBlade Manager is not supported. Use QLogic SANCLI utility.
86. QLogic SanBlade Manager is not supported.
87. Supports Stratus OS 2.0.X through 2.1.X.

Red Hat* Linux (EM64T)

Red Hat RHEL [EM64T]							
No.	Host System	Operating System	Host Bus	Host Bus Adapter	Topology	Storage Array	External Boot
1	Dell PowerEdge: 1800, 1850, 1950, 2800, 2850; Digital Henge INNO: HR-4850, HR-6850; Digital Henge Rev0: JS1400, JS2400;	Red Hat RHEL [EM64T] 3.0 U7 AS/ES v2.4.21-40.EL18, 19	PCI Express	Emulex LP1050Ex-E1, 4, 10, 39; QLogic QLE2360-E-SP4, 21, 40, 41	FC-AL, FC-SW	Intel SSR212PPf	Y

Intel® Storage System SSR212PP-Series

Red Hat* Linux (EM64T)

	IBM xSeries x336 (8837)26; LangChao: NC3000, NC3500, NF520; Lenovo SureServer: R650, T650; Samsung: ZSS150, ZSS230						
2	Dell PowerEdge: 1800, 1850, 1950, 2800, 2850; Digital Henge INNO: HR-4850, HR-6850; Digital Henge Revo: JS1400, JS2400; HPQ Proliant: DL360(G4)28, DL380(G4)28, DL580(G3)28, ML350(G4)28, ML370(G4)28; LangChao: NC3000, NC3500, NF520; Lenovo SureServer: R650, T650; Samsung: ZSS150, ZSS230	Red Hat RHEL [EM64T] 3.0 U7 AS/ES v2.4.21-40.EL18, 19	PCI Express	Emulex: LPe111-E1, 4, 37, 39, LPe1150-E1, 3, 4, 39	FC-AL, FC-SW	Intel SSR212PPf	Y
3	HPQ Proliant: DL360(G4)28, DL380(G4)28, DL580(G3)28, ML350(G4)28, ML370(G4)28	Red Hat RHEL [EM64T] 3.0 U7 AS/ES v2.4.21-40.EL18, 19	PCI Express	HPQ A8002A/FC2142SR (LPe1150)1, 4, 14, 39	FC-AL, FC-SW	Intel SSR212PPf	Y
4	Dell PowerEdge: 1800, 1850, 1950, 2800, 2850; Digital Henge INNO: HR-4850, HR-6850; Digital Henge Revo: JS1400, JS2400; LangChao: NC3000, NC3500, NF520; Lenovo SureServer: R650, T650; Samsung: ZSS150, ZSS230	Red Hat RHEL [EM64T] 3.0 U7 AS/ES v2.4.21-40.EL18, 19	PCI Express	QLogic QLE2460-E-SP4, 5, 21	FC-AL, FC-SW	Intel SSR212PPf	Y
5	IBM xSeries: x3550 (7978), x3650 (7979)	Red Hat RHEL [EM64T] 3.0 U7 AS/ES v2.4.21-40.EL18, 19	PCI Express, PCI-X	Emulex LP1050-E1, 4, 31, 39; IBM: 24P0960 (QLA2340)4, 12, 21, 55, 24P8053 (QLA2342)4, 12, 21, 39M5894 (QLA2460)4, 5, 21, 39M5895 (QLA2462)4, 5, 21; QLogic: QLA2340-E-SP4, 12, 21, QLA2460-E-SP4, 5, 21, QLE2360-E-SP4, 21, 40, QLE2460-E-SP4, 5, 21	FC-AL, FC-SW	Intel SSR212PPf	Y52

Red Hat RHEL [EM64T]							
No.	Host System	Operating System	Host Bus	Host Bus Adapter	Topology	Storage Array	External Boot
6	Dell PowerEdge: 2900, 2950; Digital Henge Revo: AS1500, AS1550, AS2500; Intel: SR1500/S5000PAL, SR2500/S5000PAL	Red Hat RHEL [EM64T] 3.0 U7 AS/ES v2.4.21-40.EL18, 19	PCI Express, PCI-X	Emulex: LP101-E1, 4, 10, 39, LP1050-E1, 4, 31, 39, LP1050Ex-E1, 4, 10, 39, LP982-E1, 4, 39, LPe111-E1, 4, 37, 39, LPe1150-E1, 3, 4, 39; QLogic: QLA200-E-SP4, 20, 57, QLA210-E-SP4, 20, 21, QLA2340-E-SP4, 12, 21, QLE2360-E-SP4, 21, 40, 41, QLE2460-E-SP4, 5, 21	FC-AL, FC-SW	Intel SSR212PPf	Y
7	Dell PowerEdge 1855; Unisys ES3105	Red Hat RHEL [EM64T] 3.0 U7 AS/ES v2.4.21-40.EL18, 19	PCI-X	Dell 2342M12, 21	FC-AL, FC-SW	Intel SSR212PPf	Y
8	Dell PowerEdge 1855	Red Hat RHEL [EM64T] 3.0 U7 AS/ES v2.4.21-40.EL18, 19	PCI-X	Dell: LPe1105-M1, 3, 4, 39, QME24624, 21, 46	FC-AL, FC-SW	Intel SSR212PPf	Y
9	Dell PowerEdge: 1800, 1850, 2600, 2650, 2850; Digital Henge INNO: HR-4850, HR-6850; Digital Henge SH4500R4; IBM xSeries: x336 (8837)26, x346 (8840)26; LangChao: NC2000, NC3000, NC3500, NF420, NF500, NF520; Lenovo SureServer R630: 6003, 6004; Lenovo SureServer: R650, T630 6003, T650; Samsung: SS210, SS370, ZSS150, ZSS230	Red Hat RHEL [EM64T] 3.0 U7 AS/ES v2.4.21-40.EL18, 19	PCI-X	Emulex LP982-E1, 4, 39	FC-AL, FC-SW	Intel SSR212PPf	Y

10	Dell PowerEdge: 1800, 1850, 1950, 2600, 2650, 2850; Digital Henge INNO: HR-4850, HR-6850; Digital Henge SH4500R4; IBM xSeries: x336 (8837)26, x346 (8840)26; LangChao: NC2000, NC3000, NC3500, NF420, NF500, NF520; Lenovo SureServer R630: 6003, 6004; Lenovo SureServer: R650, T630 6003, T650; Samsung: SS210, SS370, ZSS150, ZSS230	Red Hat RHEL [EM64T] 3.0 U7 AS/ES v2.4.21-40.EL18, 19	PCI-X	Emulex: LP101-E1, 4, 10, 39, LP1050-E1, 4, 31, 39; QLogic: QLA200-E-SP4, 20, 57, QLA2340-E-SP4, 12, 21	FC-AL, FC-SW	Intel SSR212PPf	Y
11	HPQ Proliant BL460c: (416653-B21), (416654-B21), (416655-B21), (416656-B21), (432636-B21); HPQ Proliant BL480c: (416666-B21), (416667-B21), (416668-B21), (416669-B21)	Red Hat RHEL [EM64T] 3.0 U7 AS/ES v2.4.21-40.EL18, 19	PCI-X	HPQ Emulex LPe1105-HP 4Gb FC HBA for HP c-Class Bladesystem (403621-B21)37, 39, 69	FC-AL, FC-SW	Intel SSR212PPf	Y16, 17
12	HPQ Proliant BL460c: (416653-B21), (416654-B21), (416655-B21), (416656-B21), (432636-B21); HPQ Proliant BL480c: (416666-B21), (416667-B21), (416668-B21), (416669-B21)	Red Hat RHEL [EM64T] 3.0 U7 AS/ES v2.4.21-40.EL18, 19	PCI-X	HPQ QLogic QMH2462 4Gb FC HBA for HP c-Class Bladesystem (403619-B21)21, 68	FC-AL, FC-SW	Intel SSR212PPf	N
13	NEC Express 5800: 120Lh, 120Re-1, 120Rf-1, 120Rg-2, 120Rh-2, 140He, 140Rd-4	Red Hat RHEL [EM64T] 3.0 U7 AS/ES v2.4.21-40.EL18, 19	PCI-X	NEC N8190-120 (LP1050)1, 10, 11, 39	FC-AL, FC-SW	Intel SSR212PPf	Y
14	NEC Express 5800: 140He, 140Rd-4	Red Hat RHEL [EM64T] 3.0 U7 AS/ES v2.4.21-40.EL18, 19	PCI-X	NEC N8190-127 (LPe1150)1, 11, 14, 39	FC-AL, FC-SW	Intel SSR212PPf	Y

Red Hat RHEL [EM64T]							
No.	Host System	Operating System	Host Bus	Host Bus Adapter	Topology	Storage Array	External Boot
15	Dell PowerEdge: 1800, 1850, 2600, 2650, 2850; Digital Henge INNO: HR-4850, HR-6850; Digital Henge SH4500R4; IBM xSeries: x336 (8837)26, x346 (8840)26, x3850/x366 (8863)24, 25; LangChao: NC2000, NC3000, NC3500, NF420, NF500, NF520; Lenovo SureServer R630: 6003, 6004; Lenovo SureServer: R650, T630 6003, T650; Samsung: SS210, SS370, ZSS150, ZSS230	Red Hat RHEL [EM64T] 3.0 U7 AS/ES v2.4.21-40.EL18, 19	PCI-X	QLogic QLA210-E-SP4, 20, 21	FC-AL, FC-SW	Intel SSR212PPf	Y
16	Digital Henge INNO: HR-4850, HR-6850; Digital Henge SH4500R4; IBM xSeries: x336 (8837)26, x346 (8840)26, x3850/x366 (8863)24, 25; LangChao: NC2000, NC3000, NC3500, NF420, NF500, NF520; Lenovo SureServer R630: 6003, 6004;	Red Hat RHEL [EM64T] 3.0 U7 AS/ES v2.4.21-40.EL18, 19	PCI-X	QLogic QLE220-E-SP4, 27, 62, 63	FC-AL, FC-SW	Intel SSR212PPf	Y

Intel® Storage System SSR212PP-Series

Red Hat* Linux (EM64T)

	Lenovo SureServer: R650, T630 6003, T650; Samsung: SS210, SS370, ZSS150, ZSS230							
17	Digital Henge Revo: JS1400, JS2400	Red Hat RHEL [EM64T] 3.0 U7 AS/ES v2.4.21-40.EL18, 19	PCI-X22	Emulex: LP101-E1, 4, 10, 39, LP1050-E1, 4, 31, 39, LP982-E1, 4, 39; QLogic: QLA200-E-SP4, 20, 57, QLA210-E-SP4, 20, 21, QLA2340-E-SP4, 12, 21, QLE220-E-SP4, 27, 62, 63	FC-AL, FC-SW	Intel SSR212PP f	Y	
18	IBM xSeries: x3800/x260 (8865)24, 25, x3950/x3950E/x460 (8872, 8874)24, 25	Red Hat RHEL [EM64T] 3.0 U7 AS/ES v2.4.21-40.EL18, 19	PCI-X23	QLogic: QLA210-E-SP4, 20, 21, QLE220-E-SP4, 27, 62, 63	FC-AL, FC-SW	Intel SSR212PP f	Y	
19	Dell PowerEdge 1955	Red Hat RHEL [EM64T] 3.0 U7 AS/ES v2.4.21-40.EL18, 19	PCI, PCI Express, PCI-X	Dell: LPe1105-M1, 3, 4, 39, QME24624, 21, 46	FC-AL, FC-SW	Intel SSR212PP f	Y	
20	Dell PowerEdge 2800; Samsung: ES470, ES570, SS140	Red Hat RHEL [EM64T] 3.0 U7 AS/ES v2.4.21-40.EL18, 19	PCI, PCI-X	Emulex: LP101-E1, 4, 10, 39, LP1050-E1, 4, 31, 39, LP982-E1, 4, 39; QLogic: QLA200-E-SP4, 20, 57, QLA210-E-SP4, 20, 21	FC-AL, FC-SW	Intel SSR212PP f	Y	
21	Dell PowerEdge 2800; Samsung: ES570, SS140	Red Hat RHEL [EM64T] 3.0 U7 AS/ES v2.4.21-40.EL18, 19	PCI, PCI-X	QLogic QLA2340-E-SP4, 12, 21	FC-AL, FC-SW	Intel SSR212PP f	Y	
22	Samsung ES470	Red Hat RHEL [EM64T] 3.0 U7 AS/ES v2.4.21-40.EL18, 19	PCI, PCI-X	QLogic QLA2340-E-SP4, 12, 57	FC-AL, FC-SW	Intel SSR212PP f	Y	
23	Samsung ES470, ES570, SS140	Red Hat RHEL [EM64T] 3.0 U7 AS/ES v2.4.21-40.EL18, 19	PCI, PCI-X	QLogic QLE220-E-SP4, 27, 62, 63	FC-AL, FC-SW	Intel SSR212PP f	Y	
24	Dell PowerEdge: 1800, 1850, 1950, 2800, 2850; Digital Henge INNO: HR-4850, HR-6850; Digital Henge Revo: JS1400, JS2400; IBM xSeries x336 (8837)26; LangChao: NC3000, NC3500, NF520; Lenovo SureServer: R650, T650; Samsung: ZSS150, ZSS230	Red Hat RHEL [EM64T] 3.0 U8 AS/ES v2.4.21-47.EL18, 19	PCI Express	Emulex LP1050Ex-E1, 4, 10, 36; QLogic QLE2360-E-SP4, 40, 56	FC-AL, FC-SW	Intel SSR212PP f	Y	

Red Hat RHEL [EM64T]							
No.	Host System	Operating System	Host Bus	Host Bus Adapter	Topology	Storage Array	External Boot
25	Dell PowerEdge: 1800, 1850, 1950, 2800, 2850; Digital Henge INNO: HR-4850, HR-6850; Digital Henge Revo: JS1400, JS2400; HPQ Proliant: DL360(G4)28, DL380(G4)28, DL580(G3)28, ML350(G4)28, ML370(G4)28; LangChao: NC3000, NC3500, NF520; Lenovo SureServer: R650, T650; Samsung: ZSS150, ZSS230	Red Hat RHEL [EM64T] 3.0 U8 AS/ES v2.4.21-47.EL18, 19	PCI Express	Emulex: LPe111-E1, 4, 36, 37, LPe1150-E1, 3, 4, 36	FC-AL, FC-SW	Intel SSR212PP f	Y
26	HPQ Proliant: DL360(G4)28, DL380(G4)28, DL580(G3)28, ML350(G4)28, ML370(G4)28	Red Hat RHEL [EM64T] 3.0 U8 AS/ES v2.4.21-47.EL18, 19	PCI Express	HPQ A8002A/FC2142SR (LPe1150)1, 4, 14, 36	FC-AL, FC-SW	Intel SSR212PP f	Y
27	Dell PowerEdge: 1800, 1850, 1950, 2800, 2850; Digital Henge INNO: HR-4850, HR-6850; Digital Henge Revo: JS1400, JS2400; LangChao: NC3000, NC3500, NF520;	Red Hat RHEL [EM64T] 3.0 U8 AS/ES v2.4.21-47.EL18, 19	PCI Express	QLogic QLE2460-E-SP4, 5, 56	FC-AL, FC-SW	Intel SSR212PP f	Y

	Lenovo SureServer: R650, T650; Samsung: ZSS150, ZSS230						
28	Dell PowerEdge: 2900, 2950; Digital Henge Revo: AS1500, AS1550, AS2500; Intel: SR1500/S5000PAL, SR2500/S5000PAL	Red Hat RHEL [EM64T] 3.0 U8 AS/ES v2.4.21-47.EL18, 19	PCI Express, PCI-X	Emulex: LP101-E1, 4, 10, 36, LP1050-E1, 4, 31, 36, LP1050Ex-E1, 4, 10, 36, LP982-E1, 4, 36, LPe111-E1, 4, 36, 37, LPe1150-E1, 3, 4, 36; QLogic: QLA200-E-SP4, 20, 56, QLA210-E-SP4, 20, 56, QLA2340-E-SP4, 12, 56, QLE2360-E-SP4, 40, 56, QLE2460-E-SP4, 5, 56	FC-AL, FC-SW	Intel SSR212PPf	Y
29	IBM xSeries: x3550 (7978), x3650 (7979)	Red Hat RHEL [EM64T] 3.0 U8 AS/ES v2.4.21-47.EL18, 19	PCI Express, PCI-X	Emulex: LP1050-E1, 4, 31, 36, LP1050Ex-E1, 4, 10, 36; IBM: 24P0960 (QLA2340)4, 12, 55, 56, 24P8053 (QLA2342)4, 12, 56, 39M5894 (QLA2460)4, 5, 56, 39M5895 (QLA2462)4, 5, 56; QLogic: QLA2340-E-SP4, 12, 56, QLA2460-E-SP4, 5, 56, QLE2360-E-SP4, 40, 56, QLE2460-E-SP4, 5, 56	FC-AL, FC-SW	Intel SSR212PPf	Y52
30	NEC Express 5800: 120Li, 120Rg-1, 120Ri-2, 140Hf, 140Re-4	Red Hat RHEL [EM64T] 3.0 U8 AS/ES v2.4.21-47.EL18, 19	PCI Express, PCI-X	NEC: N8190-120 (LP1050)11, 31, 36, 61, N8190-127 (LPe1150)3, 11, 36, 61	FC-AL, FC-SW	Intel SSR212PPf	Y
31	Dell PowerEdge 1855; Unisys ES3105	Red Hat RHEL [EM64T] 3.0 U8 AS/ES v2.4.21-47.EL18, 19	PCI-X	Dell 2342M12, 56	FC-AL, FC-SW	Intel SSR212PPf	Y
32	Dell PowerEdge 1855	Red Hat RHEL [EM64T] 3.0 U8 AS/ES v2.4.21-47.EL18, 19	PCI-X	Dell: LPe1105-M1, 3, 4, 36, QME24624, 46, 56	FC-AL, FC-SW	Intel SSR212PPf	Y
33	Dell PowerEdge: 1800, 1850, 2600, 2650, 2850; Digital Henge INNO: HR-4850, HR-6850; Digital Henge SH4500R4; IBM xSeries: x336 (8837)26, x346 (8840)26; LangChao: NC2000, NC3000, NC3500, NF420, NF500, NF520; Lenovo SureServer R630: 6003, 6004; Lenovo SureServer: R650, T630 6003, T650; Samsung: SS210, SS370, ZSS150, ZSS230	Red Hat RHEL [EM64T] 3.0 U8 AS/ES v2.4.21-47.EL18, 19	PCI-X	Emulex LP982-E1, 4, 36	FC-AL, FC-SW	Intel SSR212PPf	Y

Red Hat RHEL [EM64T]							
No.	Host System	Operating System	Host Bus	Host Bus Adapter	Topology	Storage Array	External Boot
34	Dell PowerEdge: 1800, 1850, 1950, 2600, 2650, 2850; Digital Henge INNO: HR-4850, HR-6850; Digital Henge SH4500R4; IBM xSeries: x336 (8837)26, x346 (8840)26; LangChao: NC2000, NC3000, NC3500, NF420, NF500, NF520; Lenovo SureServer R630: 6003, 6004; Lenovo SureServer: R650, T630 6003, T650; Samsung: SS210, SS370, ZSS150, ZSS230	Red Hat RHEL [EM64T] 3.0 U8 AS/ES v2.4.21-47.EL18, 19	PCI-X	Emulex: LP101-E1, 4, 10, 36, LP1050-E1, 4, 31, 36; QLogic: QLA200-E-SP4, 20, 56, QLA2340-E-SP4, 12, 56	FC-AL, FC-SW	Intel SSR212PPf	Y
35	HPQ Proliant BL460c: (416653-B21), (416654-B21), (416655-B21), (416656-B21), (432636-B21); HPQ Proliant BL480c: (416666-B21), (416667-B21), (416668-B21), (416669-B21)	Red Hat RHEL [EM64T] 3.0 U8 AS/ES v2.4.21-47.EL18, 19	PCI-X	HPQ Emulex LPe1105-HP 4Gb FC HBA for HP c-Class Bladesystem (403621-B21)36, 37, 69	FC-AL, FC-SW	Intel SSR212PPf	Y16, 17

Intel® Storage System SSR212PP-Series

Red Hat* Linux (EM64T)

36	HPQ Proliant BL460c: (416653-B21), (416654-B21), (416655-B21), (416656-B21), (432636-B21); HPQ Proliant BL480c: (416666-B21), (416667-B21), (416668-B21), (416669-B21)	Red Hat RHEL [EM64T] 3.0 U8 AS/ES v2.4.21-47.EL18, 19	PCI-X	HPQ QLogic QMH2462 4Gb FC HBA for HP c-Class Bladesystem (403619-B21)56, 68	FC-AL, FC-SW	Intel SSR212PP f	N
37	NEC Express 5800: 120Lh, 120Re-1, 120Rf-1, 120Rg-2, 120Rh-2, 140He, 140Rd-4	Red Hat RHEL [EM64T] 3.0 U8 AS/ES v2.4.21-47.EL18, 19	PCI-X	NEC N8190-120 (LP1050)1, 10, 11, 36	FC-AL, FC-SW	Intel SSR212PP f	Y
38	NEC Express 5800: 140He, 140Rd-4	Red Hat RHEL [EM64T] 3.0 U8 AS/ES v2.4.21-47.EL18, 19	PCI-X	NEC N8190-127 (LPe1150)1, 11, 14, 36	FC-AL, FC-SW	Intel SSR212PP f	Y
39	Dell PowerEdge: 1800, 1850, 2600, 2650, 2850; Digital Henge INNO: HR-4850, HR-6850; Digital Henge SH4500R4; IBM xSeries: x336 (8837)26, x346 (8840)26, x3850/x366 (8863)24, 25; LangChao: NC2000, NC3000, NC3500, NF420, NF500, NF520; Lenovo SureServer R630: 6003, 6004; Lenovo SureServer: R650, T630 6003, T650; Samsung: SS210, SS370, ZSS150, ZSS230	Red Hat RHEL [EM64T] 3.0 U8 AS/ES v2.4.21-47.EL18, 19	PCI-X	QLogic QLA210-E-SP4, 20, 56	FC-AL, FC-SW	Intel SSR212PP f	Y
40	Digital Henge INNO: HR-4850, HR-6850; Digital Henge SH4500R4; IBM xSeries: x336 (8837)26, x346 (8840)26, x3850/x366 (8863)24, 25; LangChao: NC2000, NC3000, NC3500, NF420, NF500, NF520; Lenovo SureServer R630: 6003, 6004; Lenovo SureServer: R650, T630 6003, T650; Samsung: SS210, SS370, ZSS150, ZSS230	Red Hat RHEL [EM64T] 3.0 U8 AS/ES v2.4.21-47.EL18, 19	PCI-X	QLogic QLE220-E-SP4, 62, 63	FC-AL, FC-SW	Intel SSR212PP f	Y

Red Hat RHEL [EM64T]							
No.	Host System	Operating System	Host Bus	Host Bus Adapter	Topology	Storage Array	External Boot
41	Digital Henge Rev0: JS1400, JS2400	Red Hat RHEL [EM64T] 3.0 U8 AS/ES v2.4.21-47.EL18, 19	PCI-X22	Emulex: LP101-E1, 4, 10, 36, LP1050-E1, 4, 31, 36, LP982-E1, 4, 36; QLogic: QLA200-E-SP4, 20, 56, QLA210-E-SP4, 20, 56, QLA2340-E-SP4, 12, 56, QLE220-E-SP4, 62, 63	FC-AL, FC-SW	Intel SSR212PP f	Y
42	IBM xSeries: x3800/x260 (8865)24, 25, x3950/x3950E/x460 (8872, 8874)24, 25	Red Hat RHEL [EM64T] 3.0 U8 AS/ES v2.4.21-47.EL18, 19	PCI-X23	QLogic: QLA210-E-SP4, 20, 56, QLE220-E-SP4, 62, 63	FC-AL, FC-SW	Intel SSR212PP f	Y
43	Dell PowerEdge 1955	Red Hat RHEL [EM64T] 3.0 U8 AS/ES v2.4.21-47.EL18, 19	PCI, PCI Express, PCI-X	Dell: LPe1105-M1, 3, 4, 36, QME24624, 46, 56	FC-AL, FC-SW	Intel SSR212PP f	Y
44	HPQ Proliant: DL380(G5), DL580(G4)	Red Hat RHEL [EM64T] 3.0 U8 AS/ES v2.4.21-47.EL18, 19	PCI, PCI Express, PCI-X	Emulex: LPe111-E1, 4, 36, 37, LPe1150-E1, 3, 4, 36; HPQ: A8002A/FC2142SR (LPe1150)1, 4, 14, 36, AE311A/FC1142SR (QLE2460)4, 5, 56, AE312A/FC1242SR (QLE2462)4, 5, 56	FC-AL, FC-SW	Intel SSR212PP f	Y
45	Dell PowerEdge 2800; Samsung: ES470, ES570, SS140	Red Hat RHEL [EM64T] 3.0 U8 AS/ES v2.4.21-47.EL18, 19	PCI, PCI-X	Emulex: LP101-E1, 4, 10, 36, LP1050-E1, 4, 31, 36, LP982-E1, 4, 36; QLogic: QLA200-E-SP4, 20, 56, QLA210-E-SP4, 20, 56, QLA2340-E-SP4, 12, 56	FC-AL, FC-SW	Intel SSR212PP f	Y
46	Samsung: ES470, ES570, SS140	Red Hat RHEL [EM64T] 3.0 U8 AS/ES v2.4.21-47.EL18, 19	PCI, PCI-X	QLogic QLE220-E-SP4, 62, 63	FC-AL, FC-SW	Intel SSR212PP f	Y
47	NEC Express 5800: 120Rd-1, 140Hd, 140Rc-4, 180Rd-4	Red Hat RHEL [EM64T] 3.0: U5 AS/ES v2.4.21-32.EL18, 73, U5+ AS/ES v2.4.21-32.0.1.EL18, 73	PCI	NEC N8190-120: (LP1050)1, 10, 11, 81, (LP1050)1, 10, 11, 82, 83	FC-AL, FC-SW	Intel SSR212PP f	N17, 45

48	Dell PowerEdge: 1800, 1850, 2800, 2850; Digital Henge INNO: HR-4850, HR-6850; Digital Henge Revo: JS1400, JS2400; IBM xSeries x336 (8837)26; LangChao: NC3000, NC3500, NF520; Lenovo SureServer: R650, T650; Samsung: ZSS150, ZSS230	Red Hat RHEL [EM64T] 3.0: U5 AS/ES v2.4.21-32.EL18, 73, U5+ AS/ES v2.4.21-32.0.1.EL18, 73	PCI Express	Emulex LP1050Ex-E1, 4, 10, 47; QLogic QLE2360-E-SP4, 21, 40, 41	FC-AL, FC-SW	Intel SSR212PPf	Y17, 45
49	Dell PowerEdge: 1800, 1850, 2800, 2850; LangChao: NC3000, NC3500, NF500, NF520	Red Hat RHEL [EM64T] 3.0: U5 AS/ES v2.4.21-32.EL18, 73, U5+ AS/ES v2.4.21-32.0.1.EL18, 73	PCI Express, PCI-X	Emulex: LP101-E1, 4, 10, 76, LP1050-E1, 4, 31, 76; QLogic QLA200-E-SP4, 20, 74, 75	FC-AL, FC-SW	Intel SSR212PPf	Y17, 45
50	Dell PowerEdge 1855	Red Hat RHEL [EM64T] 3.0: U5 AS/ES v2.4.21-32.EL18, 73, U5+ AS/ES v2.4.21-32.0.1.EL18, 73	PCI-X	Dell 2342M12, 80	FC-AL, FC-SW	Intel SSR212PPf	N17, 45
51	Dell PowerEdge: 2600, 2650; Digital Henge SH4500R4; IBM xSeries: x336 (8837)26, x346 (8840)26, x3850/x366 (8863)24, 25; LangChao: NC2000, NF420; Lenovo SureServer R630: 6003, 6004; Lenovo SureServer: R650, T630 6003, T650; Samsung: SS370, SS3840, ZSS150, ZSS230	Red Hat RHEL [EM64T] 3.0: U5 AS/ES v2.4.21-32.EL18, 73, U5+ AS/ES v2.4.21-32.0.1.EL18, 73	PCI-X	Emulex: LP101-E1, 4, 10, 76, LP1050-E1, 4, 31, 76; QLogic QLA200-E-SP4, 20, 74, 75	FC-AL, FC-SW	Intel SSR212PPf	Y17, 45
52	NEC Express 5800: 120Lh, 120Re-1, 120Rf-1, 120Rg-2, 120Rh-2	Red Hat RHEL [EM64T] 3.0: U5 AS/ES v2.4.21-32.EL18, 73, U5+ AS/ES v2.4.21-32.0.1.EL18, 73	PCI-X	NEC N8190-120: (LP1050)1, 10, 11, 81, (LP1050)1, 10, 11, 82, 83	FC-AL, FC-SW	Intel SSR212PPf	N17, 45
53	IBM xSeries: x3800/x260 (8865)24, 25, x3950/x3950E/x460 (8872, 8874)24, 25	Red Hat RHEL [EM64T] 3.0: U5 AS/ES v2.4.21-32.EL18, 73, U5+ AS/ES v2.4.21-32.0.1.EL18, 73	PCI-X23	Emulex: LP101-E1, 4, 10, 76, LP1050-E1, 4, 31, 76; QLogic QLA200-E-SP4, 20, 74, 75	FC-AL, FC-SW	Intel SSR212PPf	Y17, 45
54	Samsung: ES470, ES570, SS140	Red Hat RHEL [EM64T] 3.0: U5 AS/ES v2.4.21-32.EL18, 73, U5+ AS/ES v2.4.21-32.0.1.EL18, 73	PCI, PCI-X	Emulex: LP101-E1, 4, 10, 76, LP1050-E1, 4, 31, 76; QLogic QLA200-E-SP4, 20, 74, 75	FC-AL, FC-SW	Intel SSR212PPf	Y17, 45

Red Hat RHEL [EM64T]							
No.	Host System	Operating System	Host Bus	Host Bus Adapter	Topology	Storage Array	External Boot
55	Dell PowerEdge: 1800, 1850, 1950, 2800, 2850; Digital Henge INNO: HR-4850, HR-6850; Digital Henge Revo: JS1400, JS2400; IBM xSeries x336 (8837)26; LangChao: NC3000, NC3500, NF520; Lenovo SureServer: R650, T650; Samsung: ZSS150, ZSS230	Red Hat RHEL [EM64T] 3.0: U6 AS/ES v2.4.21-37.EL, U6+ AS/ES v2.4.21-37.0.1.EL	PCI Express	Emulex LP1050Ex-E1, 4, 10, 47; QLogic QLE2360-E-SP4, 21, 40, 41	FC-AL, FC-SW	Intel SSR212PPf	Y17, 45
56	Dell PowerEdge: 1800, 1850, 1950, 2800, 2850; Digital Henge INNO: HR-4850, HR-6850; Digital Henge Revo: JS1400, JS2400;	Red Hat RHEL [EM64T] 3.0: U6 AS/ES v2.4.21-37.EL, U6+ AS/ES v2.4.21-37.0.1.EL	PCI Express	Emulex: LPe111-E1, 4, 37, 47, LPe1150-E1, 3, 4, 47	FC-AL, FC-SW	Intel SSR212PPf	Y17, 45

Intel® Storage System SSR212PP-Series

Red Hat* Linux (EM64T)

	HPQ Proliant: DL360(G4)28 , DL380(G4)28 , DL580(G3)28 , ML350(G4)28 , ML370(G4)28; LangChao: NC3000, NC3500, NF520; Lenovo SureServer: R650, T650; Samsung: ZSS150, ZSS230						
57	HPQ Proliant: DL360(G4)28 , DL380(G4)28 , DL580(G3)28 , ML350(G4)28 , ML370(G4)28	Red Hat RHEL [EM64T] 3.0: U6 AS/ES v2.4.21-37.EL, U6+ AS/ES v2.4.21-37.0.1.EL	PCI Express	HPQ A8002A/FC2142SR (LPe1150)1, 4, 14, 47	FC-AL, FC-SW	Intel SSR212PP f	Y17, 45
58	Dell PowerEdge: 1800, 1850, 1950, 2800, 2850; Digital Henge INNO: HR-4850, HR-6850; Digital Henge Revo: JS1400, JS2400; LangChao: NC3000, NC3500, NF520; Lenovo SureServer: R650, T650; Samsung: ZSS150, ZSS230	Red Hat RHEL [EM64T] 3.0: U6 AS/ES v2.4.21-37.EL, U6+ AS/ES v2.4.21-37.0.1.EL	PCI Express	QLogic QLE2460-E-SP4, 5, 21	FC-AL, FC-SW	Intel SSR212PP f	Y17, 45
59	Dell PowerEdge: 2900, 2950	Red Hat RHEL [EM64T] 3.0: U6 AS/ES v2.4.21-37.EL, U6+ AS/ES v2.4.21-37.0.1.EL	PCI Express, PCI-X	Emulex: LP101-E1, 4, 10, 47, LP1050-E1, 4, 31, 47, LP1050Ex-E1, 4, 10, 47, LP982-E1, 4, 47, LPe111-E1, 4, 37, 47, LPe1150-E1, 3, 4, 47; QLogic: QLA200-E-SP4, 20, 57, QLA210-E-SP4, 20, 21, QLA2340-E-SP4, 12, 21, QLE2360-E-SP4, 21, 40, 41, QLE2460-E-SP4, 5, 21	FC-AL, FC-SW	Intel SSR212PP f	Y17, 45
60	Dell PowerEdge 1855; Unisys ES3105	Red Hat RHEL [EM64T] 3.0: U6 AS/ES v2.4.21-37.EL, U6+ AS/ES v2.4.21-37.0.1.EL	PCI-X	Dell 2342M12, 21	FC-AL, FC-SW	Intel SSR212PP f	N17, 45
61	Dell PowerEdge 1855	Red Hat RHEL [EM64T] 3.0: U6 AS/ES v2.4.21-37.EL, U6+ AS/ES v2.4.21-37.0.1.EL	PCI-X	Dell: LPe1105-M1, 3, 4, 47, QME24624, 21, 46	FC-AL, FC-SW	Intel SSR212PP f	N17, 45
62	Dell PowerEdge: 1800, 1850, 2600, 2650, 2850; Digital Henge INNO: HR-4850, HR-6850; Digital Henge SH4500R4; IBM xSeries: x336 (8837)26, x346 (8840)26 , x3850/x366 (8863)24, 25; LangChao: NC2000, NC3000, NC3500, NF420, NF500, NF520; Lenovo SureServer R630: 6003, 6004; Lenovo SureServer: R650, T630 6003, T650; Samsung: SS210, SS370, ZSS150, ZSS230	Red Hat RHEL [EM64T] 3.0: U6 AS/ES v2.4.21-37.EL, U6+ AS/ES v2.4.21-37.0.1.EL	PCI-X	Emulex LP982-E1, 4, 47; QLogic QLA210-E-SP4, 20, 21	FC-AL, FC-SW	Intel SSR212PP f	Y17, 45

Red Hat RHEL [EM64T]

No.	Host System	Operating System	Host Bus	Host Bus Adapter	Topology	Storage Array	External Boot
63	Dell PowerEdge: 1800, 1850, 1950, 2600, 2650, 2850; Digital Henge INNO: HR-4850, HR-6850; Digital Henge SH4500R4; IBM xSeries: x336 (8837)26, x346 (8840)26 , x3850/x366 (8863)24, 25; LangChao: NC2000, NC3000, NC3500, NF420, NF500, NF520; Lenovo SureServer R630: 6003, 6004; Lenovo SureServer: R650, T630 6003, T650; Samsung: SS210, SS370, ZSS150, ZSS230	Red Hat RHEL [EM64T] 3.0: U6 AS/ES v2.4.21-37.EL, U6+ AS/ES v2.4.21-37.0.1.EL	PCI-X	Emulex: LP101-E1, 4, 10, 47, LP1050-E1, 4, 31, 47; QLogic: QLA200-E-SP4, 20, 57, QLA2340-E-SP4, 12, 21	FC-AL, FC-SW	Intel SSR212PP f	Y17, 45

64	NEC Express 5800: 120Lh, 120Re-1, 120Rf-1, 120Rg-2, 120Rh-2	Red Hat RHEL [EM64T] 3.0: U6 AS/ES v2.4.21-37.EL, U6+ AS/ES v2.4.21-37.0.1.EL	PCI-X	NEC N8190-120 (LP1050)1, 10, 11, 71	FC-AL, FC-SW	Intel SSR212PP f	N17, 45
65	NEC Express 5800: 140He, 140Rd-4	Red Hat RHEL [EM64T] 3.0: U6 AS/ES v2.4.21-37.EL, U6+ AS/ES v2.4.21-37.0.1.EL	PCI-X	NEC: N8190-120 (LP1050)1, 10, 11, 47, N8190-127 (LPe1150)1, 11, 14, 47	FC-AL, FC-SW	Intel SSR212PP f	N17, 45
66	Digital Henge Revo: JS1400, JS2400	Red Hat RHEL [EM64T] 3.0: U6 AS/ES v2.4.21-37.EL, U6+ AS/ES v2.4.21-37.0.1.EL	PCI-X22	Emulex: LP101-E1, 4, 10, 47, LP1050-E1, 4, 31, 47, LP982-E1, 4, 47; QLogic: QLA200-E-SP4, 20, 57, QLA210-E-SP4, 20, 21, QLA2340-E-SP4, 12, 21	FC-AL, FC-SW	Intel SSR212PP f	Y17, 45
67	IBM xSeries: x3800/x260 (8865)24, 25, x3950/x3950E/x460 (8872, 8874)24, 25	Red Hat RHEL [EM64T] 3.0: U6 AS/ES v2.4.21-37.EL, U6+ AS/ES v2.4.21-37.0.1.EL	PCI-X23	Emulex: LP101-E1, 4, 10, 47, LP1050-E1, 4, 31, 47, LP982-E1, 4, 47; QLogic: QLA200-E-SP4, 20, 57, QLA210-E-SP4, 20, 21, QLA2340-E-SP4, 12, 21	FC-AL, FC-SW	Intel SSR212PP f	Y17, 45
68	Dell PowerEdge 1955	Red Hat RHEL [EM64T] 3.0: U6 AS/ES v2.4.21-37.EL, U6+ AS/ES v2.4.21-37.0.1.EL	PCI, PCI Express, PCI-X	Dell: LPe1105-M1, 3, 4, 47, QME24624, 21, 46	FC-AL, FC-SW	Intel SSR212PP f	N17, 45
69	Dell PowerEdge 2800; Samsung: ES470, ES570, SS140	Red Hat RHEL [EM64T] 3.0: U6 AS/ES v2.4.21-37.EL, U6+ AS/ES v2.4.21-37.0.1.EL	PCI, PCI-X	Emulex: LP101-E1, 4, 10, 47, LP1050-E1, 4, 31, 47, LP982-E1, 4, 47; QLogic: QLA200-E-SP4, 20, 57, QLA210-E-SP4, 20, 21	FC-AL, FC-SW	Intel SSR212PP f	Y17, 45
70	Dell PowerEdge 2800; Samsung: ES570, SS140	Red Hat RHEL [EM64T] 3.0: U6 AS/ES v2.4.21-37.EL, U6+ AS/ES v2.4.21-37.0.1.EL	PCI, PCI-X	QLogic QLA2340-E-SP4, 12, 21	FC-AL, FC-SW	Intel SSR212PP f	Y17, 45
71	Samsung ES470	Red Hat RHEL [EM64T] 3.0: U6 AS/ES v2.4.21-37.EL, U6+ AS/ES v2.4.21-37.0.1.EL	PCI, PCI-X	QLogic QLA2340-E-SP4, 12, 57	FC-AL, FC-SW	Intel SSR212PP f	Y17, 45
72	Dell PowerEdge 1950	Red Hat RHEL [EM64T] 3.0: U7 AS/ES v2.4.21-40.EL18, 19, U8 AS/ES v2.4.21-47.EL18, 19	PCI Express	QLogic QLE220-E-SP4, 30, 42	FC-AL, FC-SW	Intel SSR212PP f	Y
73	Dell PowerEdge: 1850, 1900, 2850, 2900, 2950; Digital Henge Revo: AS1500, AS1550, AS2500; Intel: SR1500/S5000PAL, SR2500/S5000PAL	Red Hat RHEL [EM64T] 3.0: U7 AS/ES v2.4.21-40.EL18, 19, U8 AS/ES v2.4.21-47.EL18, 19	PCI Express, PCI-X	QLogic QLE220-E-SP4, 30, 42	FC-AL, FC-SW	Intel SSR212PP f	Y
74	Dell PowerEdge: 1800, 2800	Red Hat RHEL [EM64T] 3.0: U7 AS/ES v2.4.21-40.EL18, 19, U8 AS/ES v2.4.21-47.EL18, 19	PCI, PCI Express, PCI-X	QLogic QLE220-E-SP4, 30, 42	FC-AL, FC-SW	Intel SSR212PP f	Y
75	Dell PowerEdge: 1800, 1850, 2800, 2850, 6800, 6850; Digital Henge INNO: HR-4850, HR-6850; Digital Henge Revo: JS1400, JS2400; IBM xSeries x336 (8837)26; LangChao: NC3000, NC3500, NF520; Lenovo SureServer: R650, T650; Samsung: ZSS150, ZSS230	Red Hat RHEL [EM64T] 4.0 U1 AS/ES v2.6.9-11.EL44	PCI Express	Emulex LP1050Ex-E1, 4, 10, 72; QLogic QLE2360-E-SP4, 40, 41, 43	FC-AL, FC-SW	Intel SSR212PP f	Y17, 45
76	Dell PowerEdge 2850	Red Hat RHEL [EM64T] 4.0 U1 AS/ES v2.6.9-11.EL44	PCI Express	QLogic QLA200-E-SP4, 9, 20, 43	FC-AL, FC-SW	Intel SSR212PP f	Y17, 45
77	HPQ Proliant ML350(G4)28	Red Hat RHEL [EM64T] 4.0 U1 AS/ES v2.6.9-11.EL44	PCI Express, PCI-X	Emulex: LP101-E1, 4, 10, 72, LP1050-E1, 31, 72, LP982-E1, 72; QLogic: QLA200-E-SP4, 20, 43, QLA2340-E-SP12, 43	FC-AL, FC-SW	Intel SSR212PP f	N17, 45

Red Hat RHEL [EM64T]

No.	Host System	Operating System	Host Bus	Host Bus Adapter	Topology	Storage Array	External Boot
78	Dell PowerEdge 1855	Red Hat RHEL [EM64T] 4.0 U1 AS/ES v2.6.9-11.EL44	PCI-X	Dell 2342M12, 43	FC-AL, FC-SW	Intel SSR212PP f	N17, 45
79	Fujitsu Siemens Primergy: RX200 S2, RX300, RX300 S2, TX200 S2, TX300, TX300 S2	Red Hat RHEL [EM64T] 4.0 U1 AS/ES v2.6.9-11.EL44	PCI-X	Emulex LP101-E1, 4, 59, 72	FC-AL, FC-SW	Intel SSR212PP f	N17, 45
80	Dell PowerEdge: 6800, 6850; Digital Henge INNO: HR-4850, HR-6850; Digital Henge SH4500R4; IBM xSeries: x255, x336 (8837)26, x346 (8840)26 , x3850/x366 (8863)24, 25;	Red Hat RHEL [EM64T] 4.0 U1 AS/ES v2.6.9-11.EL44	PCI-X	Emulex: LP101-E1, 4, 10, 72, LP1050-E1, 4, 31, 72, LP982-E1, 4, 72; QLogic QLA2340-E-SP4, 12, 43	FC-AL, FC-SW	Intel SSR212PP f	Y17, 45

Intel® Storage System SSR212PP-Series

Red Hat* Linux (EM64T)

	LangChao: NC2000, NC3000, NC3500, NF420, NF500, NF520; Lenovo SureServer R630: 6003, 6004; Lenovo SureServer: R650, T630 6003, T650; Samsung: SS210, SS370, SS3840, ZSS150, ZSS230							
81	HPQ Proliant DL360(G4)28	Red Hat RHEL [EM64T] 4.0 U1 AS/ES v2.6.9-11.EL44	PCI-X	Emulex: LP101-E1, 4, 10, 72, LP1050-E1, 31, 72, LP982-E1, 72	FC-AL, FC-SW	Intel SSR212PPf	N17, 45	
82	Fujitsu Siemens Primergy: RX200 S2, RX300, RX300 S2, TX200 S2, TX300, TX300 S2; HPQ Proliant DL360(G4)28	Red Hat RHEL [EM64T] 4.0 U1 AS/ES v2.6.9-11.EL44	PCI-X	QLogic: QLA200-E-SP4, 20, 43, QLA2340-E-SP12, 43	FC-AL, FC-SW	Intel SSR212PPf	N17, 45	
83	Digital Henge Rev0: JS1400, JS2400	Red Hat RHEL [EM64T] 4.0 U1 AS/ES v2.6.9-11.EL44	PCI-X22	Emulex: LP101-E1, 4, 10, 72, LP1050-E1, 4, 31, 72, LP982-E1, 4, 72; QLogic QLA2340-E-SP4, 12, 43	FC-AL, FC-SW	Intel SSR212PPf	Y17, 45	
84	IBM xSeries: x3800/x260 (8865)24, 25, x3950/x3950E/x460 (8872, 8874)24, 25	Red Hat RHEL [EM64T] 4.0 U1 AS/ES v2.6.9-11.EL44	PCI-X23	Emulex: LP101-E1, 4, 10, 72, LP1050-E1, 4, 31, 72, LP982-E1, 4, 72; QLogic QLA2340-E-SP4, 12, 43	FC-AL, FC-SW	Intel SSR212PPf	Y17, 45	
85	Dell PowerEdge: 1800, 1850, 2600, 2650, 2800, 2850; IBM xSeries: x365, x440, x445 (8870); Samsung: ES470, ES570, SS140	Red Hat RHEL [EM64T] 4.0 U1 AS/ES v2.6.9-11.EL44	PCI, PCI-X	Emulex: LP101-E1, 4, 10, 72, LP1050-E1, 4, 31, 72, LP982-E1, 4, 72; QLogic QLA2340-E-SP4, 12, 43	FC-AL, FC-SW	Intel SSR212PPf	Y17, 45	
86	HPQ Proliant: DL380(G4)28 , ML370(G4)28	Red Hat RHEL [EM64T] 4.0 U1 AS/ES v2.6.9-11.EL44	PCI, PCI-X	Emulex: LP101-E1, 4, 10, 72, LP1050-E1, 31, 72, LP982-E1, 72; QLogic: QLA200-E-SP4, 20, 43, QLA2340-E-SP12, 43	FC-AL, FC-SW	Intel SSR212PPf	N17, 45	
87	Dell PowerEdge 2850	Red Hat RHEL [EM64T] 4.0 U1 AS/ES v2.6.9-11.EL44	PCI, PCI-X	QLogic QLA200-E-SP4, 9, 20, 43	FC-AL, FC-SW	Intel SSR212PPf	Y17, 45	
88	Fujitsu Siemens Primergy BX630: (2-way), (4-way)	Red Hat RHEL [EM64T] 4.0: U2 AS/ES v2.6.9-22.EL, U2+ AS/ES v2.6.9-22.0.1.EL, U2+ AS/ES v2.6.9-22.0.2.EL	PCI	Emulex LP1050-E1, 4, 15, 59; Fujitsu Siemens BX600-FC22Q4, 12, 13	FC-AL, FC-SW	Intel SSR212PPf	Y	
89	Dell PowerEdge: 1800, 2800, 2850, 6800, 6850; Digital Henge Rev0: JS1400, JS2400	Red Hat RHEL [EM64T] 4.0: U2 AS/ES v2.6.9-22.EL, U2+ AS/ES v2.6.9-22.0.1.EL, U2+ AS/ES v2.6.9-22.0.2.EL	PCI Express	Emulex LP101-E1, 4, 10, 15; QLogic: QLA200-E-SP4, 20, 32, QLA210-E-SP4, 20, 32	FC-AL, FC-SW	Intel SSR212PPf	Y16, 17	
90	Dell PowerEdge: 1800, 1850, 1950, 2800, 2850, 6800, 6850; Digital Henge Rev0: JS1400, JS2400; IBM xSeries x336 (8837)26; Lenovo SureServer: R650, T650; Samsung ZSS150	Red Hat RHEL [EM64T] 4.0: U2 AS/ES v2.6.9-22.EL, U2+ AS/ES v2.6.9-22.0.1.EL, U2+ AS/ES v2.6.9-22.0.2.EL	PCI Express	Emulex LP1050Ex-E1, 4, 10, 15; QLogic QLE2360-E-SP4, 32, 40, 41	FC-AL, FC-SW	Intel SSR212PPf	Y16, 17	
91	Dell PowerEdge: 1800, 1850, 1950, 2800, 2850, 6800, 6850; Digital Henge Rev0: JS1400, JS2400; HPQ Proliant: DL360(G4)28 , DL380(G4)28 , DL580(G3)28 , ML350(G4)28 , ML370(G4)28; Lenovo SureServer: R650, T650; Samsung ZSS150	Red Hat RHEL [EM64T] 4.0: U2 AS/ES v2.6.9-22.EL, U2+ AS/ES v2.6.9-22.0.1.EL, U2+ AS/ES v2.6.9-22.0.2.EL	PCI Express	Emulex LPe111-E1, 4, 15, 37	FC-AL, FC-SW	Intel SSR212PPf	Y16, 17	
Red Hat RHEL [EM64T]								
No.	Host System	Operating System	Host Bus	Host Bus Adapter	Topology	Storage Array	External Boot	
92	Dell PowerEdge: 1800, 1850, 1950, 2800, 2850, 6800, 6850; HPQ Proliant: DL360(G4)28 , DL380(G4)28 , DL580(G3)28 , ML350(G4)28 , ML370(G4)28	Red Hat RHEL [EM64T] 4.0: U2 AS/ES v2.6.9-22.EL, U2+ AS/ES v2.6.9-22.0.1.EL, U2+ AS/ES v2.6.9-22.0.2.EL	PCI Express	Emulex LPe1150-E1, 3, 4, 15	FC-AL, FC-SW	Intel SSR212PPf	Y16, 17	

93	Digital Henge Rev0: JS1400, JS2400; Lenovo SureServer: R650, T650; Samsung ZSS150	Red Hat RHEL [EM64T] 4.0: U2 AS/ES v2.6.9-22.EL, U2+ AS/ES v2.6.9-22.0.1.EL, U2+ AS/ES v2.6.9-22.0.2.EL	PCI Express	Emulex LPe1150-E1, 3, 4, 67	FC-AL, FC-SW	Intel SSR212PP f	Y16, 17
94	Dell PowerEdge: 1800, 2800, 2850	Red Hat RHEL [EM64T] 4.0: U2 AS/ES v2.6.9-22.EL, U2+ AS/ES v2.6.9-22.0.1.EL, U2+ AS/ES v2.6.9-22.0.2.EL	PCI Express	Emulex: LP1050-E1, 4, 15, 31, LP982-E1, 4, 15; QLogic QLA2340-E-SP4, 12, 32	FC-AL, FC-SW	Intel SSR212PP f	Y16, 17
95	HPQ Proliant: DL360(G4)28 , DL380(G4)28 , DL580(G3)28 , ML350(G4)28 , ML370(G4)28	Red Hat RHEL [EM64T] 4.0: U2 AS/ES v2.6.9-22.EL, U2+ AS/ES v2.6.9-22.0.1.EL, U2+ AS/ES v2.6.9-22.0.2.EL	PCI Express	HPQ A8002A/FC2142SR (LPe1150)1, 4, 14, 15	FC-AL, FC-SW	Intel SSR212PP f	Y16, 17
96	Dell PowerEdge: 1800, 1850, 1950, 2800, 2850, 6800, 6850; Digital Henge Rev0: JS1400, JS2400; Lenovo SureServer: R650, T650; Samsung ZSS150	Red Hat RHEL [EM64T] 4.0: U2 AS/ES v2.6.9-22.EL, U2+ AS/ES v2.6.9-22.0.1.EL, U2+ AS/ES v2.6.9-22.0.2.EL	PCI Express	QLogic QLE2460-E-SP4, 5, 32	FC-AL, FC-SW	Intel SSR212PP f	Y16, 17
97	Dell PowerEdge: 2900, 2950, 6800, 6850; HPQ Proliant ML350(G4)28	Red Hat RHEL [EM64T] 4.0: U2 AS/ES v2.6.9-22.EL, U2+ AS/ES v2.6.9-22.0.1.EL, U2+ AS/ES v2.6.9-22.0.2.EL	PCI Express, PCI-X	Emulex LP101-E1, 4, 10, 15; QLogic: QLA200-E-SP4, 20, 32, QLA210-E-SP4, 20, 32	FC-AL, FC-SW	Intel SSR212PP f	Y16, 17
98	HPQ Proliant ML350(G4)28	Red Hat RHEL [EM64T] 4.0: U2 AS/ES v2.6.9-22.EL, U2+ AS/ES v2.6.9-22.0.1.EL, U2+ AS/ES v2.6.9-22.0.2.EL	PCI Express, PCI-X	Emulex: LP1050-E1, 15, 31, LP982-E1, 15; HPQ: AB429A/FC1143 (QLA2460)4, 32, 33, AE369A/FC1243 (QLA2462)4, 32, 33; QLogic QLA2340-E-SP12, 32	FC-AL, FC-SW	Intel SSR212PP f	Y16, 17
99	Dell PowerEdge: 2900, 2950, 6800, 6850	Red Hat RHEL [EM64T] 4.0: U2 AS/ES v2.6.9-22.EL, U2+ AS/ES v2.6.9-22.0.1.EL, U2+ AS/ES v2.6.9-22.0.2.EL	PCI Express, PCI-X	Emulex: LP1050-E1, 4, 15, 31, LP982-E1, 4, 15; QLogic QLA2340-E-SP4, 12, 32	FC-AL, FC-SW	Intel SSR212PP f	Y16, 17
100	Dell PowerEdge: 2900, 2950	Red Hat RHEL [EM64T] 4.0: U2 AS/ES v2.6.9-22.EL, U2+ AS/ES v2.6.9-22.0.1.EL, U2+ AS/ES v2.6.9-22.0.2.EL	PCI Express, PCI-X	Emulex: LP1050Ex-E1, 4, 10, 15, LPe111-E1, 4, 15, 37, LPe1150-E1, 3, 4, 15; QLogic: QLE2360-E-SP4, 32, 40, 41, QLE2460-E-SP4, 5, 32	FC-AL, FC-SW	Intel SSR212PP f	Y16, 17
101	Digital Henge Rev0: JS1400, JS2400	Red Hat RHEL [EM64T] 4.0: U2 AS/ES v2.6.9-22.EL, U2+ AS/ES v2.6.9-22.0.1.EL, U2+ AS/ES v2.6.9-22.0.2.EL	PCI Express, PCI-X22	Emulex: LP101-E1, 4, 10, 15, LP1050-E1, 15, 31, LP982-E1, 15; QLogic: QLA200-E-SP4, 20, 32, QLA210-E-SP4, 20, 32, QLA2340-E-SP12, 32	FC-AL, FC-SW	Intel SSR212PP f	Y16, 17
102	Dell PowerEdge 1855	Red Hat RHEL [EM64T] 4.0: U2 AS/ES v2.6.9-22.EL, U2+ AS/ES v2.6.9-22.0.1.EL, U2+ AS/ES v2.6.9-22.0.2.EL	PCI-X	Dell: 2342M12, 32, LPe1105-M1, 3, 4, 15, QME24624, 32, 46	FC-AL, FC-SW	Intel SSR212PP f	Y16, 17
103	Dell PowerEdge: 1850, 1950; Digital Henge SH4500R4; HPQ Proliant DL360(G4)28; LangChao NF420; Lenovo SureServer: R630 6004, T630 6003	Red Hat RHEL [EM64T] 4.0: U2 AS/ES v2.6.9-22.EL, U2+ AS/ES v2.6.9-22.0.1.EL, U2+ AS/ES v2.6.9-22.0.2.EL	PCI-X	Emulex LP101-E1, 4, 10, 15; QLogic QLA200-E-SP4, 20, 32	FC-AL, FC-SW	Intel SSR212PP f	Y16, 17
104	Dell PowerEdge: 1850, 1950; Digital Henge SH4500R4; IBM xSeries: x255, x336 (8837)26, x346 (8840)26, x3850/x366 (8863)24, 25; LangChao: NC2000, NF420; Lenovo SureServer R630: 6003, 6004; Lenovo SureServer: R650, T630 6003, T650; Samsung: SS210, SS370, SS3840, ZSS150	Red Hat RHEL [EM64T] 4.0: U2 AS/ES v2.6.9-22.EL, U2+ AS/ES v2.6.9-22.0.1.EL, U2+ AS/ES v2.6.9-22.0.2.EL	PCI-X	Emulex LP1050-E1, 4, 15, 31; QLogic QLA2340-E-SP4, 12, 32	FC-AL, FC-SW	Intel SSR212PP f	Y16, 17
Red Hat RHEL [EM64T]							
No.	Host System	Operating System	Host Bus	Host Bus Adapter	Topology	Storage Array	External Boot
105	Dell PowerEdge 1850; Digital Henge SH4500R4; IBM xSeries: x255, x336 (8837)26, x346 (8840)26, x3850/x366 (8863)24, 25; LangChao: NC2000, NF420;	Red Hat RHEL [EM64T] 4.0: U2 AS/ES v2.6.9-22.EL, U2+ AS/ES v2.6.9-22.0.1.EL, U2+ AS/ES v2.6.9-22.0.2.EL	PCI-X	Emulex LP982-E1, 4, 15	FC-AL, FC-SW	Intel SSR212PP f	Y16, 17

Intel® Storage System SSR212PP-Series

Red Hat* Linux (EM64T)

	Lenovo SureServer R630: 6003, 6004; Lenovo SureServer: R650, T630 6003, T650; Samsung: SS210, SS370, SS3840, ZSS150						
106	HPQ Proliant DL360(G4)28	Red Hat RHEL [EM64T] 4.0: U2 AS/ES v2.6.9-22.EL, U2+ AS/ES v2.6.9-22.0.1.EL, U2+ AS/ES v2.6.9-22.0.2.EL	PCI-X	Emulex: LP1050-E1, 15, 31, LP982-E1, 15; HPQ: AB429A/FC1143 (QLA2460)4, 32, 33, AE369A/FC1243 (QLA2462)4, 32, 33	FC-AL, FC-SW	Intel SSR212PPf	Y16, 17
107	NEC Express 5800: 120Lh, 120Re-1, 120Rf-1, 120Rg-2, 120Rh-2, 140He, 140Rd-4	Red Hat RHEL [EM64T] 4.0: U2 AS/ES v2.6.9-22.EL, U2+ AS/ES v2.6.9-22.0.1.EL, U2+ AS/ES v2.6.9-22.0.2.EL	PCI-X	NEC N8190-120 (LP1050)1, 10, 11, 15	FC-AL, FC-SW	Intel SSR212PPf	Y16, 17
108	NEC Express 5800: 140He, 140Rd-4	Red Hat RHEL [EM64T] 4.0: U2 AS/ES v2.6.9-22.EL, U2+ AS/ES v2.6.9-22.0.1.EL, U2+ AS/ES v2.6.9-22.0.2.EL	PCI-X	NEC N8190-127 (LPe1150)11, 11, 14, 15	FC-AL, FC-SW	Intel SSR212PPf	Y16, 17
109	Dell PowerEdge 1850; Digital Henge SH4500R4; HPQ Proliant DL360(G4)28; LangChao NF420; Lenovo SureServer: R630 6004, T630 6003	Red Hat RHEL [EM64T] 4.0: U2 AS/ES v2.6.9-22.EL, U2+ AS/ES v2.6.9-22.0.1.EL, U2+ AS/ES v2.6.9-22.0.2.EL	PCI-X	QLogic QLA210-E-SP4, 20, 32	FC-AL, FC-SW	Intel SSR212PPf	Y16, 17
110	Digital Henge SH4500R4; HPQ Proliant DL360(G4)28; LangChao: NC2000, NF420; Lenovo SureServer: R630 6004, T630 6003	Red Hat RHEL [EM64T] 4.0: U2 AS/ES v2.6.9-22.EL, U2+ AS/ES v2.6.9-22.0.1.EL, U2+ AS/ES v2.6.9-22.0.2.EL	PCI-X	QLogic QLA2340-E-SP12, 32	FC-AL, FC-SW	Intel SSR212PPf	Y16, 17
111	Fujitsu Siemens Primergy: RX300 S2, TX200 S2, TX300 S2	Red Hat RHEL [EM64T] 4.0: U2 AS/ES v2.6.9-22.EL, U2+ AS/ES v2.6.9-22.0.1.EL, U2+ AS/ES v2.6.9-22.0.2.EL	PCI-X	QLogic: QLA200-E-SP4, 20, 32, QLA210-E-SP4, 20, 32	FC-AL, FC-SW	Intel SSR212PPf	Y
112	IBM xSeries: x3800/x260 (8865)24, 25, x3950/x3950E/x460 (8872, 8874)24, 25	Red Hat RHEL [EM64T] 4.0: U2 AS/ES v2.6.9-22.EL, U2+ AS/ES v2.6.9-22.0.1.EL, U2+ AS/ES v2.6.9-22.0.2.EL	PCI-X23	Emulex: LP1050-E1, 4, 15, 31, LP982-E1, 4, 15; QLogic QLA2340-E-SP4, 12, 32	FC-AL, FC-SW	Intel SSR212PPf	Y16, 17
113	Dell PowerEdge 1955	Red Hat RHEL [EM64T] 4.0: U2 AS/ES v2.6.9-22.EL, U2+ AS/ES v2.6.9-22.0.1.EL, U2+ AS/ES v2.6.9-22.0.2.EL	PCI, PCI Express, PCI-X	Dell: LPe1105-M1, 3, 4, 15, QME24624, 32, 46	FC-AL, FC-SW	Intel SSR212PPf	Y16, 17
114	Fujitsu Siemens Primergy RX800 S2	Red Hat RHEL [EM64T] 4.0: U2 AS/ES v2.6.9-22.EL, U2+ AS/ES v2.6.9-22.0.1.EL, U2+ AS/ES v2.6.9-22.0.2.EL	PCI, PCI-X	Emulex LP1050-E1, 4, 15, 59; QLogic: QLA2340-E-SP12, 32, QLA2340-E-SP4, 12, 32	FC-AL, FC-SW	Intel SSR212PPf	Y
115	HPQ Proliant: DL380(G4)28, DL580(G3)28, ML370(G4)28	Red Hat RHEL [EM64T] 4.0: U2 AS/ES v2.6.9-22.EL, U2+ AS/ES v2.6.9-22.0.1.EL, U2+ AS/ES v2.6.9-22.0.2.EL	PCI, PCI-X	Emulex: LP101-E1, 4, 10, 15, LP1050-E1, 15, 31, LP982-E1, 15; QLogic: QLA200-E-SP4, 20, 32, QLA210-E-SP4, 20, 32, QLA2340-E-SP12, 32	FC-AL, FC-SW	Intel SSR212PPf	Y16, 17
116	Dell PowerEdge: 1800, 1850, 2800, 2850; IBM xSeries: x365, x440, x445 (8870); Samsung: ES470, ES570, SS140	Red Hat RHEL [EM64T] 4.0: U2 AS/ES v2.6.9-22.EL, U2+ AS/ES v2.6.9-22.0.1.EL, U2+ AS/ES v2.6.9-22.0.2.EL	PCI, PCI-X	Emulex: LP1050-E1, 4, 15, 31, LP982-E1, 4, 15; QLogic QLA2340-E-SP4, 12, 32	FC-AL, FC-SW	Intel SSR212PPf	Y16, 17
117	HPQ Proliant: DL380(G4)28, ML370(G4)28	Red Hat RHEL [EM64T] 4.0: U2 AS/ES v2.6.9-22.EL, U2+ AS/ES v2.6.9-22.0.1.EL, U2+ AS/ES v2.6.9-22.0.2.EL	PCI, PCI-X	HPQ: AB429A/FC1143 (QLA2460)4, 32, 33, AE369A/FC1243 (QLA2462)4, 32, 33	FC-AL, FC-SW	Intel SSR212PPf	Y16, 17
118	Fujitsu Siemens Primergy: RX300 S2, TX200 S2, TX300 S2	Red Hat RHEL [EM64T] 4.0: U2 AS/ES v2.6.9-22.EL, U2+ AS/ES v2.6.9-22.0.1.EL, U2+ AS/ES v2.6.9-22.0.2.EL, U3 AS/ES v2.6.9-34.EL, U3+ AS/ES v2.6.9-34.0.1.EL, U3+ AS/ES v2.6.9-34.0.2.EL	PCI-X	Emulex LP101-E1, 4, 59; QLogic QLA2340-E-SP12	FC-AL, FC-SW	Intel SSR212PPf	Y
119	Digital Henge INNO: HR-4850, HR-6850; LangChao: NC3000, NC3500, NF500, NF520; Samsung ZSS230	Red Hat RHEL [EM64T] 4.0: U2 AS/ES v2.6.9-22.EL58, U2+ AS/ES v2.6.9-22.0.1.EL, U2+ AS/ES v2.6.9-22.0.2.EL	PCI Express	Emulex LP1050Ex-E1, 4, 10, 15; QLogic QLE2360-E-SP32, 40, 41	FC-AL, FC-SW	Intel SSR212PPf	Y16, 17
120	Samsung ZSS230	Red Hat RHEL [EM64T] 4.0: U2 AS/ES v2.6.9-22.EL58, U2+ AS/ES v2.6.9-22.0.1.EL, U2+ AS/ES v2.6.9-22.0.2.EL	PCI Express	Emulex: LP101-E1, 10, 15, LP1050-E1, 15, 31, LP982-E1, 15, LP982-E1, 4, 15; QLogic QLA2340-E-SP12, 32	FC-AL, FC-SW	Intel SSR212PPf	Y16, 17

121	Digital Henge INNO: HR-4850, HR-6850; LangChao: NC3000, NC3500, NF520; Samsung ZSS230	Red Hat RHEL [EM64T] 4.0: U2 AS/ES v2.6.9-22.EL58, U2+ AS/ES v2.6.9-22.0.1.EL, U2+ AS/ES v2.6.9-22.0.2.EL	PCI Express	Emulex: LPe111-E1, 4, 15, 37, LPe1150-E1, 3, 4, 67; QLogic: QLE2360-E-SP4, 32, 40, 41, QLE2460-E-SP4, 5, 32	FC-AL, FC-SW	Intel SSR212PPf	Y16, 17
Red Hat RHEL [EM64T]							
No.	Host System	Operating System	Host Bus	Host Bus Adapter	Topology	Storage Array	External Boot
122	LangChao: NC3000, NC3500, NF500, NF520; Samsung ZSS230	Red Hat RHEL [EM64T] 4.0: U2 AS/ES v2.6.9-22.EL58, U2+ AS/ES v2.6.9-22.0.1.EL, U2+ AS/ES v2.6.9-22.0.2.EL	PCI-X	Emulex LP1050-E1, 4, 15, 31; QLogic QLA2340-E-SP4, 12, 32	FC-AL, FC-SW	Intel SSR212PPf	Y16, 17
123	Digital Henge INNO: HR-4850, HR-6850; LangChao: NC3000, NC3500, NF500, NF520; Samsung ZSS230	Red Hat RHEL [EM64T] 4.0: U2 AS/ES v2.6.9-22.EL58, U2+ AS/ES v2.6.9-22.0.1.EL, U2+ AS/ES v2.6.9-22.0.2.EL	PCI-X	Emulex LP982-E1, 4, 15	FC-AL, FC-SW	Intel SSR212PPf	Y16, 17
124	Digital Henge INNO: HR-4850, HR-6850; LangChao: NC3000, NC3500, NF500, NF520	Red Hat RHEL [EM64T] 4.0: U2 AS/ES v2.6.9-22.EL58, U2+ AS/ES v2.6.9-22.0.1.EL, U2+ AS/ES v2.6.9-22.0.2.EL	PCI-X	Emulex: LP101-E1, 10, 15, LP1050-E1, 15, 31, LP982-E1, 15; QLogic QLA2340-E-SP12, 32	FC-AL, FC-SW	Intel SSR212PPf	Y16, 17
125	Fujitsu Siemens Primergy BX630: (2-way), (4-way)	Red Hat RHEL [EM64T] 4.0: U3 AS/ES v2.6.9-34.EL, U3+ AS/ES v2.6.9-34.0.1.EL, U3+ AS/ES v2.6.9-34.0.2.EL	PCI	Emulex LP1050-E1, 2, 4, 59	FC-AL, FC-SW	Intel SSR212PPf	Y
126	Fujitsu Siemens Primergy: BX620 S3, BX630 (2-way), BX630 (4-way), BX630 (8-way)	Red Hat RHEL [EM64T] 4.0: U3 AS/ES v2.6.9-34.EL, U3+ AS/ES v2.6.9-34.0.1.EL, U3+ AS/ES v2.6.9-34.0.2.EL	PCI	Fujitsu Siemens BX600-FC22Q4, 6, 12, 13	FC-AL, FC-SW	Intel SSR212PPf	Y
127	Dell PowerEdge: 1800, 2800, 2850, 6800, 6850; Digital Henge Revo: JS1400, JS2400	Red Hat RHEL [EM64T] 4.0: U3 AS/ES v2.6.9-34.EL, U3+ AS/ES v2.6.9-34.0.1.EL, U3+ AS/ES v2.6.9-34.0.2.EL	PCI Express	Emulex LP101-E1, 2, 4, 10; QLogic: QLA200-E-SP4, 6, 20, QLA210-E-SP4, 6, 20	FC-AL, FC-SW	Intel SSR212PPf	Y
128	Dell PowerEdge: 1800, 2800, 2850	Red Hat RHEL [EM64T] 4.0: U3 AS/ES v2.6.9-34.EL, U3+ AS/ES v2.6.9-34.0.1.EL, U3+ AS/ES v2.6.9-34.0.2.EL	PCI Express	Emulex LP1050-E1, 2, 4, 31; QLogic QLA2340-E-SP4, 6, 12	FC-AL, FC-SW	Intel SSR212PPf	Y
129	Dell PowerEdge: 1800, 1850, 1950, 2800, 2850, 6800, 6850; Digital Henge INNO: HR-4850, HR-6850; Digital Henge Revo: JS1400, JS2400; IBM xSeries x336 (8837)26; LangChao: NC3000, NC3500, NF500, NF520; Lenovo SureServer: R650, T650; Samsung: ZSS150, ZSS230	Red Hat RHEL [EM64T] 4.0: U3 AS/ES v2.6.9-34.EL, U3+ AS/ES v2.6.9-34.0.1.EL, U3+ AS/ES v2.6.9-34.0.2.EL	PCI Express	Emulex LP1050Ex-E1, 2, 4, 10	FC-AL, FC-SW	Intel SSR212PPf	Y
130	Dell PowerEdge: 1800, 2800, 2850; Samsung ZSS230	Red Hat RHEL [EM64T] 4.0: U3 AS/ES v2.6.9-34.EL, U3+ AS/ES v2.6.9-34.0.1.EL, U3+ AS/ES v2.6.9-34.0.2.EL	PCI Express	Emulex LP982-E1, 2, 4	FC-AL, FC-SW	Intel SSR212PPf	Y
131	Samsung ZSS230	Red Hat RHEL [EM64T] 4.0: U3 AS/ES v2.6.9-34.EL, U3+ AS/ES v2.6.9-34.0.1.EL, U3+ AS/ES v2.6.9-34.0.2.EL	PCI Express	Emulex: LP101-E1, 2, 10, LP1050-E1, 2, 31, LP982-E1, 2; QLogic QLA2340-E-SP6, 12	FC-AL, FC-SW	Intel SSR212PPf	Y
132	Dell PowerEdge: 1800, 1850, 1950, 2800, 2850, 6800, 6850; Digital Henge INNO: HR-4850, HR-6850; Digital Henge Revo: JS1400, JS2400; HPQ Proliant: DL360(G4)28, DL380(G4)28, DL580(G3)28, ML350(G4)28, ML370(G4)28; LangChao: NC3000, NC3500, NF520; Lenovo SureServer: R650, T650;	Red Hat RHEL [EM64T] 4.0: U3 AS/ES v2.6.9-34.EL, U3+ AS/ES v2.6.9-34.0.1.EL, U3+ AS/ES v2.6.9-34.0.2.EL	PCI Express	Emulex: LPe111-E1, 2, 4, 37, LPe1150-E1, 2, 3, 4	FC-AL, FC-SW	Intel SSR212PPf	Y

Intel® Storage System SSR212PP-Series

Red Hat* Linux (EM64T)

	Samsung: ZSS150, ZSS230						
133	HPQ Proliant: DL360(G4)28, DL380(G4)28, DL580(G3)28, ML350(G4)28, ML370(G4)28	Red Hat RHEL [EM64T] 4.0: U3 AS/ES v2.6.9-34.EL, U3+ AS/ES v2.6.9-34.0.1.EL, U3+ AS/ES v2.6.9-34.0.2.EL	PCI Express	HPQ A8002A/FC2142SR (LPe1150)1, 2, 4, 14	FC-AL, FC-SW	Intel SSR212PPf	Y
134	Digital Henge Rev0: JS1400, JS2400	Red Hat RHEL [EM64T] 4.0: U3 AS/ES v2.6.9-34.0.1.EL, U3+ AS/ES v2.6.9-34.0.2.EL	PCI Express	QLogic QLE220-E-SP4, 27, 29, 30	FC-AL, FC-SW	Intel SSR212PPf	Y
Red Hat RHEL [EM64T]							
No.	Host System	Operating System	Host Bus	Host Bus Adapter	Topology	Storage Array	External Boot
135	Dell PowerEdge 1950	Red Hat RHEL [EM64T] 4.0: U3 AS/ES v2.6.9-34.EL, U3+ AS/ES v2.6.9-34.0.1.EL, U3+ AS/ES v2.6.9-34.0.2.EL	PCI Express	QLogic QLE220-E-SP4, 29, 30	FC-AL, FC-SW	Intel SSR212PPf	Y
136	Dell PowerEdge: 1800, 1850, 1950, 2800, 2850, 6800, 6850; Digital Henge INNO: HR-4850, HR-6850; Digital Henge Rev0: JS1400, JS2400; IBM xSeries x336 (8837)26; LangChao: NC3000, NC3500, NF520; Lenovo SureServer: R650, T650; Samsung: ZSS150, ZSS230	Red Hat RHEL [EM64T] 4.0: U3 AS/ES v2.6.9-34.EL, U3+ AS/ES v2.6.9-34.0.1.EL, U3+ AS/ES v2.6.9-34.0.2.EL	PCI Express	QLogic QLE2360-E-SP4, 6, 40, 41	FC-AL, FC-SW	Intel SSR212PPf	Y
137	Digital Henge INNO: HR-4850, HR-6850; LangChao: NC3000, NC3500, NF500, NF520; Samsung ZSS230	Red Hat RHEL [EM64T] 4.0: U3 AS/ES v2.6.9-34.EL, U3+ AS/ES v2.6.9-34.0.1.EL, U3+ AS/ES v2.6.9-34.0.2.EL	PCI Express	QLogic QLE2360-E-SP6, 40, 41	FC-AL, FC-SW	Intel SSR212PPf	Y
138	Dell PowerEdge: 1800, 1850, 1950, 2800, 2850, 6800, 6850; Digital Henge INNO: HR-4850, HR-6850; Digital Henge Rev0: JS1400, JS2400; LangChao: NC3000, NC3500, NF520; Lenovo SureServer: R650, T650; Samsung: ZSS150, ZSS230	Red Hat RHEL [EM64T] 4.0: U3 AS/ES v2.6.9-34.EL, U3+ AS/ES v2.6.9-34.0.1.EL, U3+ AS/ES v2.6.9-34.0.2.EL	PCI Express	QLogic QLE2460-E-SP4, 5, 6	FC-AL, FC-SW	Intel SSR212PPf	Y
139	Dell PowerEdge: 2900, 2950, 6800, 6850; Digital Henge Rev0: AS1500, AS1550, AS2500; HPQ Proliant ML350(G4)28; Intel: SR1500/S5000PAL, SR2500/S5000PAL	Red Hat RHEL [EM64T] 4.0: U3 AS/ES v2.6.9-34.EL, U3+ AS/ES v2.6.9-34.0.1.EL, U3+ AS/ES v2.6.9-34.0.2.EL	PCI Express, PCI-X	Emulex LP101-E1, 2, 4, 10; QLogic: QLA200-E-SP4, 6, 20, QLA210-E-SP4, 6, 20	FC-AL, FC-SW	Intel SSR212PPf	Y
140	Dell PowerEdge: 2900, 2950, 6800, 6850; Digital Henge Rev0: AS1500, AS1550, AS2500; IBM xSeries: x3550 (7978), x3650 (7979); Intel: SR1500/S5000PAL, SR2500/S5000PAL	Red Hat RHEL [EM64T] 4.0: U3 AS/ES v2.6.9-34.EL, U3+ AS/ES v2.6.9-34.0.1.EL, U3+ AS/ES v2.6.9-34.0.2.EL	PCI Express, PCI-X	Emulex LP1050-E1, 2, 4, 31	FC-AL, FC-SW	Intel SSR212PPf	Y
141	Fujitsu Siemens Primergy RX220	Red Hat RHEL [EM64T] 4.0: U3 AS/ES v2.6.9-34.EL, U3+ AS/ES v2.6.9-34.0.1.EL, U3+ AS/ES v2.6.9-34.0.2.EL	PCI Express, PCI-X	Emulex LP1050Ex-E1, 2, 4	FC-AL, FC-SW	Intel SSR212PPf	Y
142	Dell PowerEdge: 2900, 2950;	Red Hat RHEL [EM64T] 4.0: U3 AS/ES v2.6.9-34.EL, U3+ AS/ES v2.6.9-34.0.1.EL,	PCI Express,	Emulex LP1050Ex-E1, 2, 4, 10	FC-AL, FC-SW	Intel SSR212PPf	Y

	Digital Henge Rev: AS1500, AS1550, AS2500; Fujitsu Siemens Primergy: RX600 S3, TX600 S3; Intel: SR1500/S5000PAL, SR2500/S5000PAL	U3+ AS/ES v2.6.9-34.0.2.EL	PCI-X				
143	Dell PowerEdge: 2900, 2950, 6800, 6850; Digital Henge Rev: AS1500, AS1550, AS2500; Intel: SR1500/S5000PAL, SR2500/S5000PAL	Red Hat RHEL [EM64T] 4.0: U3 AS/ES v2.6.9-34.EL, U3+ AS/ES v2.6.9-34.0.1.EL, U3+ AS/ES v2.6.9-34.0.2.EL	PCI Express, PCI-X	Emulex LP982-E1, 2, 4	FC-AL, FC-SW	Intel SSR212PPf	Y
144	Dell PowerEdge: 2900, 2950; Digital Henge Rev: AS1500, AS1550, AS2500; Intel: SR1500/S5000PAL, SR2500/S5000PAL	Red Hat RHEL [EM64T] 4.0: U3 AS/ES v2.6.9-34.EL, U3+ AS/ES v2.6.9-34.0.1.EL, U3+ AS/ES v2.6.9-34.0.2.EL	PCI Express, PCI-X	Emulex LPe111-E1, 2, 4, 37; QLogic: QLE2360-E-SP4, 6, 40, 41, QLE2460-E-SP4, 5, 6	FC-AL, FC-SW	Intel SSR212PPf	Y
Red Hat RHEL [EM64T]							
No.	Host System	Operating System	Host Bus	Host Bus Adapter	Topology	Storage Array	External Boot
145	Dell PowerEdge: 2900, 2950; Digital Henge Rev: AS1500, AS1550, AS2500; Fujitsu Siemens Primergy: RX220, RX600 S3, TX600 S3; Intel: SR1500/S5000PAL, SR2500/S5000PAL	Red Hat RHEL [EM64T] 4.0: U3 AS/ES v2.6.9-34.EL, U3+ AS/ES v2.6.9-34.0.1.EL, U3+ AS/ES v2.6.9-34.0.2.EL	PCI Express, PCI-X	Emulex LPe1150-E1, 2, 3, 4	FC-AL, FC-SW	Intel SSR212PPf	Y
146	HPQ Proliant ML350(G4)28	Red Hat RHEL [EM64T] 4.0: U3 AS/ES v2.6.9-34.EL, U3+ AS/ES v2.6.9-34.0.1.EL, U3+ AS/ES v2.6.9-34.0.2.EL	PCI Express, PCI-X	Emulex: LP1050-E1, 2, 31, LP982-E1, 2; HPQ: AB429A/FC1143 (QLA2460)4, 33, 34, AE369A/FC1243 (QLA2462)4, 33, 35; QLogic QLE220-E-SP4, 27, 29, 30	FC-AL, FC-SW	Intel SSR212PPf	Y
147	IBM xSeries: x3550 (7978), x3650 (7979)	Red Hat RHEL [EM64T] 4.0: U3 AS/ES v2.6.9-34.EL, U3+ AS/ES v2.6.9-34.0.1.EL, U3+ AS/ES v2.6.9-34.0.2.EL	PCI Express, PCI-X	IBM: 24P0960 (QLA2340)4, 6, 12, 55, 24P8053 (QLA2342)4, 6, 12, 39M5894 (QLA2460)4, 39M5895 (QLA2462)4; QLogic: QLA2460-E-SP4, 6, 64, QLE2360-E-SP4, 6, 65, QLE2460-E-SP4, 6, 64	FC-AL, FC-SW	Intel SSR212PPf	Y
148	NEC Express 5800: 120Li, 120Rg-1, 120Ri-2, 140Hf, 140Re-4	Red Hat RHEL [EM64T] 4.0: U3 AS/ES v2.6.9-34.EL, U3+ AS/ES v2.6.9-34.0.1.EL, U3+ AS/ES v2.6.9-34.0.2.EL	PCI Express, PCI-X	NEC: N8190-120 (LP1050)11, 31, 60, 61, N8190-127 (LPe1150)3, 11, 60, 61	FC-AL, FC-SW	Intel SSR212PPf	Y
149	Fujitsu Siemens Primergy: RX220, RX600 S3, TX600 S3	Red Hat RHEL [EM64T] 4.0: U3 AS/ES v2.6.9-34.EL, U3+ AS/ES v2.6.9-34.0.1.EL, U3+ AS/ES v2.6.9-34.0.2.EL	PCI Express, PCI-X	QLogic QLA2340-E-SP12	FC-AL, FC-SW	Intel SSR212PPf	Y
150	Dell PowerEdge: 2900, 2950, 6800, 6850; Digital Henge Rev: AS1500, AS1550, AS2500; Fujitsu Siemens Primergy: RX220, RX600 S3, TX600 S3; IBM xSeries: x3550 (7978), x3650 (7979); Intel: SR1500/S5000PAL, SR2500/S5000PAL	Red Hat RHEL [EM64T] 4.0: U3 AS/ES v2.6.9-34.EL, U3+ AS/ES v2.6.9-34.0.1.EL, U3+ AS/ES v2.6.9-34.0.2.EL	PCI Express, PCI-X	QLogic QLA2340-E-SP4, 6, 12	FC-AL, FC-SW	Intel SSR212PPf	Y
151	Fujitsu Siemens Primergy: RX220, RX600 S3, TX600 S3; HPQ Proliant ML350(G4)28	Red Hat RHEL [EM64T] 4.0: U3 AS/ES v2.6.9-34.EL, U3+ AS/ES v2.6.9-34.0.1.EL, U3+ AS/ES v2.6.9-34.0.2.EL	PCI Express, PCI-X	QLogic QLA2340-E-SP6, 12	FC-AL, FC-SW	Intel SSR212PPf	Y
152	Dell PowerEdge: 1850, 1900, 2850, 2900, 2950, 6800, 6850;	Red Hat RHEL [EM64T] 4.0: U3 AS/ES v2.6.9-34.EL, U3+ AS/ES v2.6.9-34.0.1.EL, U3+ AS/ES v2.6.9-34.0.2.EL	PCI Express, PCI-X	QLogic QLE220-E-SP4, 29, 30	FC-AL, FC-SW	Intel SSR212PPf	Y

Intel® Storage System SSR212PP-Series

Red Hat* Linux (EM64T)

	Digital Henge Revo: AS1500, AS1550, AS2500; Intel: SR1500/S5000PAL, SR2500/S5000PAL						
153	Digital Henge Revo: JS1400, JS2400	Red Hat RHEL [EM64T] 4.0: U3 AS/ES v2.6.9-34.EL, U3+ AS/ES v2.6.9-34.0.1.EL, U3+ AS/ES v2.6.9-34.0.2.EL	PCI Express, PCI-X22	Emulex: LP101-E1, 2, 4, 10, LP1050-E1, 2, 31, LP982-E1, 2; QLogic: QLA200-E-SP4, 6, 20, QLA210-E-SP4, 6, 20, QLA2340-E-SP6, 12, QLE220-E-SP4, 27, 29, 30	FC-AL, FC-SW	Intel SSR212PP f	Y
154	Dell PowerEdge 1855	Red Hat RHEL [EM64T] 4.0: U3 AS/ES v2.6.9-34.EL, U3+ AS/ES v2.6.9-34.0.1.EL, U3+ AS/ES v2.6.9-34.0.2.EL	PCI-X	Dell: 2342M6, 12, LPe1105-M1, 2, 3, 4, QME24624, 6, 46	FC-AL, FC-SW	Intel SSR212PP f	Y
155	Dell PowerEdge: 1850, 1950; Digital Henge SH4500R4; HPQ Proliant DL360(G4)28; LangChao NF420; Lenovo SureServer: R630 6004, T630 6003	Red Hat RHEL [EM64T] 4.0: U3 AS/ES v2.6.9-34.EL, U3+ AS/ES v2.6.9-34.0.1.EL, U3+ AS/ES v2.6.9-34.0.2.EL	PCI-X	Emulex LP101-E1, 2, 4, 10; QLogic QLA200-E-SP4, 6, 20	FC-AL, FC-SW	Intel SSR212PP f	Y
156	Digital Henge INNO: HR-4850, HR-6850; LangChao: NC3000, NC3500, NF500, NF520	Red Hat RHEL [EM64T] 4.0: U3 AS/ES v2.6.9-34.EL, U3+ AS/ES v2.6.9-34.0.1.EL, U3+ AS/ES v2.6.9-34.0.2.EL	PCI-X	Emulex LP101-E1, 2, 10	FC-AL, FC-SW	Intel SSR212PP f	Y

Red Hat RHEL [EM64T]

No.	Host System	Operating System	Host Bus	Host Bus Adapter	Topology	Storage Array	External Boot
157	Dell PowerEdge: 1850, 1950; Digital Henge SH4500R4; IBM xSeries: x255, x336 (8837)26, x346 (8840)26, x3850/x366 (8863)24, 25; LangChao: NC2000, NC3000, NC3500, NF420, NF500, NF520; Lenovo SureServer R630: 6003, 6004; Lenovo SureServer: R650, T630 6003, T650; Samsung: SS210, SS370, SS3840, ZSS150, ZSS230	Red Hat RHEL [EM64T] 4.0: U3 AS/ES v2.6.9-34.EL, U3+ AS/ES v2.6.9-34.0.1.EL, U3+ AS/ES v2.6.9-34.0.2.EL	PCI-X	Emulex LP1050-E1, 2, 4, 31; QLogic QLA2340-E-SP4, 6, 12	FC-AL, FC-SW	Intel SSR212PP f	Y
158	Dell PowerEdge 1850; Digital Henge INNO: HR-4850, HR-6850; Digital Henge SH4500R4; IBM xSeries: x255, x336 (8837)26, x346 (8840)26, x3850/x366 (8863)24, 25; LangChao: NC2000, NC3000, NC3500, NF420, NF500, NF520; Lenovo SureServer R630: 6003, 6004; Lenovo SureServer: R650, T630 6003, T650; Samsung: SS210, SS370, SS3840, ZSS150, ZSS230	Red Hat RHEL [EM64T] 4.0: U3 AS/ES v2.6.9-34.EL, U3+ AS/ES v2.6.9-34.0.1.EL, U3+ AS/ES v2.6.9-34.0.2.EL	PCI-X	Emulex LP982-E1, 2, 4	FC-AL, FC-SW	Intel SSR212PP f	Y
159	Digital Henge INNO: HR-4850, HR-6850; HPQ Proliant DL360(G4)28; LangChao: NC3000, NC3500, NF500, NF520	Red Hat RHEL [EM64T] 4.0: U3 AS/ES v2.6.9-34.EL, U3+ AS/ES v2.6.9-34.0.1.EL, U3+ AS/ES v2.6.9-34.0.2.EL	PCI-X	Emulex: LP1050-E1, 2, 31, LP982-E1, 2	FC-AL, FC-SW	Intel SSR212PP f	Y
160	HPQ Proliant BL460c: (416653-B21), (416654-B21), (416655-B21), (416656-B21), (432636-B21); HPQ Proliant BL480c: (416666-B21), (416667-B21), (416668-B21), (416669-B21)	Red Hat RHEL [EM64T] 4.0: U3 AS/ES v2.6.9-34.EL, U3+ AS/ES v2.6.9-34.0.1.EL, U3+ AS/ES v2.6.9-34.0.2.EL	PCI-X	HPQ Emulex LPe1105-HP 4Gb FC HBA for HP c-Class Bladesystem: (403621-B21)2, 69, 70, (403621-B21)2, 69, 78	FC-AL, FC-SW	Intel SSR212PP f	Y16, 17

161	HPQ Proliant BL460c: (416653-B21), (416654-B21), (416655-B21), (416656-B21), (432636-B21); HPQ Proliant BL480c: (416666-B21), (416667-B21), (416668-B21), (416669-B21)	Red Hat RHEL [EM64T] 4.0: U3 AS/ES v2.6.9-34.EL, U3+ AS/ES v2.6.9-34.0.1.EL, U3+ AS/ES v2.6.9-34.0.2.EL	PCI-X	HPQ QLogic QMH2462 4Gb FC HBA for HP c-Class Bladesystem (403619-B21)35, 68	FC-AL, FC-SW	Intel SSR212PP f	N
162	HPQ Proliant DL360(G4)28	Red Hat RHEL [EM64T] 4.0: U3 AS/ES v2.6.9-34.EL, U3+ AS/ES v2.6.9-34.0.1.EL, U3+ AS/ES v2.6.9-34.0.2.EL	PCI-X	HPQ: AB429A/FC1143 (QLA2460)4, 33, 34, AE369A/FC1243 (QLA2462)4, 33, 35	FC-AL, FC-SW	Intel SSR212PP f	Y
163	NEC Express 5800: 120Lh, 120Re-1, 120Rf-1, 120Rg-2, 120Rh-2, 140He, 140Rd-4	Red Hat RHEL [EM64T] 4.0: U3 AS/ES v2.6.9-34.EL, U3+ AS/ES v2.6.9-34.0.1.EL, U3+ AS/ES v2.6.9-34.0.2.EL	PCI-X	NEC N8190-120 (LP1050)1, 2, 10, 11	FC-AL, FC-SW	Intel SSR212PP f	Y
164	NEC Express 5800: 140He, 140Rd-4	Red Hat RHEL [EM64T] 4.0: U3 AS/ES v2.6.9-34.EL, U3+ AS/ES v2.6.9-34.0.1.EL, U3+ AS/ES v2.6.9-34.0.2.EL	PCI-X	NEC N8190-127 (LPe1150)1, 2, 11, 14	FC-AL, FC-SW	Intel SSR212PP f	Y
165	Fujitsu Siemens Primergy: RX300 S2, TX200 S2, TX300 S2	Red Hat RHEL [EM64T] 4.0: U3 AS/ES v2.6.9-34.EL, U3+ AS/ES v2.6.9-34.0.1.EL, U3+ AS/ES v2.6.9-34.0.2.EL	PCI-X	QLogic QLA200-E-SP4, 20	FC-AL, FC-SW	Intel SSR212PP f	Y
166	Dell PowerEdge 1850; Digital Henge SH4500R4; Fujitsu Siemens Primergy: RX300 S2, TX200 S2, TX300 S2; HPQ Proliant DL360(G4)28; LangChao NF420; Lenovo SureServer: R630 6004, T630 6003	Red Hat RHEL [EM64T] 4.0: U3 AS/ES v2.6.9-34.EL, U3+ AS/ES v2.6.9-34.0.1.EL, U3+ AS/ES v2.6.9-34.0.2.EL	PCI-X	QLogic QLA210-E-SP4, 6, 20	FC-AL, FC-SW	Intel SSR212PP f	Y

Red Hat RHEL [EM64T]

No.	Host System	Operating System	Host Bus	Host Bus Adapter	Topology	Storage Array	External Boot
167	Digital Henge INNO: HR-4850, HR-6850; Digital Henge SH4500R4; HPQ Proliant DL360(G4)28; LangChao: NC2000, NC3000, NC3500, NF420, NF500, NF520; Lenovo SureServer: R630 6004, T630 6003	Red Hat RHEL [EM64T] 4.0: U3 AS/ES v2.6.9-34.EL, U3+ AS/ES v2.6.9-34.0.1.EL, U3+ AS/ES v2.6.9-34.0.2.EL	PCI-X	QLogic QLA2340-E-SP6, 12	FC-AL, FC-SW	Intel SSR212PP f	Y
168	Digital Henge SH4500R4; Fujitsu Siemens Primergy: RX300 S2, TX200 S2, TX300 S2; HPQ Proliant DL360(G4)28; LangChao NF420; Lenovo SureServer: R630 6004, T630 6003	Red Hat RHEL [EM64T] 4.0: U3 AS/ES v2.6.9-34.EL, U3+ AS/ES v2.6.9-34.0.1.EL, U3+ AS/ES v2.6.9-34.0.2.EL	PCI-X	QLogic QLE220-E-SP4, 27, 29, 30	FC-AL, FC-SW	Intel SSR212PP f	Y
169	Dell PowerEdge 1955	Red Hat RHEL [EM64T] 4.0: U3 AS/ES v2.6.9-34.EL, U3+ AS/ES v2.6.9-34.0.1.EL, U3+ AS/ES v2.6.9-34.0.2.EL	PCI, PCI Express, PCI-X	Dell: LPe1105-M1, 2, 3, 4, QME24624, 6, 46	FC-AL, FC-SW	Intel SSR212PP f	Y
170	HPQ Proliant DL580(G3)28	Red Hat RHEL [EM64T] 4.0: U3 AS/ES v2.6.9-34.EL, U3+ AS/ES v2.6.9-34.0.1.EL, U3+ AS/ES v2.6.9-34.0.2.EL	PCI, PCI Express, PCI-X	Emulex: LP101-E1, 2, 4, 10, LP1050-E1, 2, 31, LP982-E1, 2; QLogic: QLA200-E-SP4, 6, 20, QLA210-E-SP4, 6, 20, QLA2340-E-SP6, 12, QLE220-E-SP4, 27, 29, 30	FC-AL, FC-SW	Intel SSR212PP f	Y
171	Dell PowerEdge: 1800, 2800	Red Hat RHEL [EM64T] 4.0: U3 AS/ES v2.6.9-34.EL, U3+ AS/ES v2.6.9-34.0.1.EL, U3+ AS/ES v2.6.9-34.0.2.EL	PCI, PCI Express, PCI-X	QLogic QLE220-E-SP4, 29, 30	FC-AL, FC-SW	Intel SSR212PP f	Y
172	Fujitsu Siemens Primergy RX800 S2	Red Hat RHEL [EM64T] 4.0: U3 AS/ES v2.6.9-34.EL, U3+ AS/ES v2.6.9-34.0.1.EL, U3+ AS/ES v2.6.9-34.0.2.EL	PCI, PCI-X	Emulex LP1050-E1, 2, 4, 59	FC-AL, FC-SW	Intel SSR212PP f	Y

Intel® Storage System SSR212PP-Series

Red Hat* Linux (EM64T)

173	HPQ Proliant: DL380(G4)28, ML370(G4)28	Red Hat RHEL [EM64T] 4.0: U3 AS/ES v2.6.9-34.EL, U3+ AS/ES v2.6.9-34.0.1.EL, U3+ AS/ES v2.6.9-34.0.2.EL	PCI, PCI-X	Emulex: LP101-E1, 2, 4, 10, LP1050-E1, 2, 31, LP982-E1, 2; HPQ: AB429A/FC1143 (QLA2460)4, 33, 34, AE369A/FC1243 (QLA2462)4, 33, 35; QLogic: QLA200-E-SP4, 6, 20, QLA210-E-SP4, 6, 20, QLE220-E-SP4, 27, 29, 30	FC-AL, FC-SW	Intel SSR212PP f	Y
174	Dell PowerEdge: 1800, 1850, 2800, 2850; IBM xSeries: x365, x440, x445 (8870); Samsung: ES470, ES570, SS140	Red Hat RHEL [EM64T] 4.0: U3 AS/ES v2.6.9-34.EL, U3+ AS/ES v2.6.9-34.0.1.EL, U3+ AS/ES v2.6.9-34.0.2.EL	PCI, PCI-X	Emulex: LP1050-E1, 2, 4, 31, LP982-E1, 2, 4	FC-AL, FC-SW	Intel SSR212PP f	Y
175	Dell PowerEdge: 1800, 1850, 2800, 2850; Fujitsu Siemens Primergy RX800 S2; IBM xSeries: x365, x440, x445 (8870); Samsung: ES470, ES570, SS140	Red Hat RHEL [EM64T] 4.0: U3 AS/ES v2.6.9-34.EL, U3+ AS/ES v2.6.9-34.0.1.EL, U3+ AS/ES v2.6.9-34.0.2.EL	PCI, PCI-X	QLogic QLA2340-E-SP4, 6, 12	FC-AL, FC-SW	Intel SSR212PP f	Y
176	Fujitsu Siemens Primergy RX800 S2; HPQ Proliant: DL380(G4)28 , ML370(G4)28	Red Hat RHEL [EM64T] 4.0: U3 AS/ES v2.6.9-34.EL, U3+ AS/ES v2.6.9-34.0.1.EL, U3+ AS/ES v2.6.9-34.0.2.EL	PCI, PCI-X	QLogic QLA2340-E-SP6, 12	FC-AL, FC-SW	Intel SSR212PP f	Y
177	Dell PowerEdge: 1800, 2800, 2850, 6800, 6850; Digital Henge Revo: JS1400, JS2400	Red Hat RHEL [EM64T] 4.0: U4 AS/ES v2.6.9-42.EL, U4+ AS/ES v2.6.9-42.0.2.EL	PCI Express	Emulex LP101-E1, 4, 10, 49; QLogic: QLA200-E-SP4, 20, 48, QLA210-E-SP4, 20, 48	FC-AL, FC-SW	Intel SSR212PP f	Y
178	Dell PowerEdge: 1800, 2800, 2850	Red Hat RHEL [EM64T] 4.0: U4 AS/ES v2.6.9-42.EL, U4+ AS/ES v2.6.9-42.0.2.EL	PCI Express	Emulex LP1050-E1, 4, 31, 49; QLogic QLA2340-E-SP4, 12, 48	FC-AL, FC-SW	Intel SSR212PP f	Y
179	Dell PowerEdge: 1800, 1850, 1950, 2800, 2850, 6800, 6850; Digital Henge INNO: HR-4850, HR-6850; Digital Henge Revo: JS1400, JS2400; IBM xSeries x336 (8837)26; LangChao: NC3000, NC3500, NF500, NF520; Lenovo SureServer: R650, T650; Samsung: ZSS150, ZSS230	Red Hat RHEL [EM64T] 4.0: U4 AS/ES v2.6.9-42.EL, U4+ AS/ES v2.6.9-42.0.2.EL	PCI Express	Emulex LP1050Ex-E1, 4, 10, 49	FC-AL, FC-SW	Intel SSR212PP f	Y

Red Hat RHEL [EM64T]

No.	Host System	Operating System	Host Bus	Host Bus Adapter	Topology	Storage Array	External Boot
180	Dell PowerEdge: 1800, 2800, 2850; Samsung ZSS230	Red Hat RHEL [EM64T] 4.0: U4 AS/ES v2.6.9-42.EL, U4+ AS/ES v2.6.9-42.0.2.EL	PCI Express	Emulex LP982-E1, 4, 49	FC-AL, FC-SW	Intel SSR212PP f	Y
181	Samsung ZSS230	Red Hat RHEL [EM64T] 4.0: U4 AS/ES v2.6.9-42.EL, U4+ AS/ES v2.6.9-42.0.2.EL	PCI Express	Emulex: LP101-E1, 10, 49, LP1050-E1, 31, 49, LP982-E1, 49; QLogic QLA2340-E-SP12, 48	FC-AL, FC-SW	Intel SSR212PP f	Y
182	Dell PowerEdge: 1800, 1850, 1950, 2800, 2850, 6800, 6850; Digital Henge INNO: HR-4850, HR-6850; Digital Henge Revo: JS1400, JS2400; HPQ Proliant: DL360(G4)28 , DL380(G4)28 , DL580(G3)28 , ML350(G4)28 , ML370(G4)28; LangChao: NC3000, NC3500, NF520; Lenovo SureServer: R650, T650; Samsung: ZSS150, ZSS230	Red Hat RHEL [EM64T] 4.0: U4 AS/ES v2.6.9-42.EL, U4+ AS/ES v2.6.9-42.0.2.EL	PCI Express	Emulex: LPe111-E1, 4, 37, 49, LPe1150-E1, 3, 4, 49	FC-AL, FC-SW	Intel SSR212PP f	Y

183	HPQ Proliant: DL360(G4)28, DL380(G4)28, DL580(G3)28, ML350(G4)28, ML370(G4)28	Red Hat RHEL [EM64T] 4.0: U4 AS/ES v2.6.9-42.EL, U4+ AS/ES v2.6.9-42.0.2.EL	PCI Express	HPQ A8002A/FC2142SR (LPe1150)1, 4, 14, 49	FC-AL, FC-SW	Intel SSR212PP f	Y
184	Digital Henge Rev0: JS1400, JS2400	Red Hat RHEL [EM64T] 4.0: U4 AS/ES v2.6.9-42.EL, U4+ AS/ES v2.6.9-42.0.2.EL	PCI Express	QLogic QLE220-E-SP4, 27, 30, 38	FC-AL, FC-SW	Intel SSR212PP f	Y
185	Dell PowerEdge 1950	Red Hat RHEL [EM64T] 4.0: U4 AS/ES v2.6.9-42.EL, U4+ AS/ES v2.6.9-42.0.2.EL	PCI Express	QLogic QLE220-E-SP4, 30, 38	FC-AL, FC-SW	Intel SSR212PP f	Y
186	Dell PowerEdge: 1800, 1850, 1950, 2800, 2850, 6800, 6850; Digital Henge INNO: HR-4850, HR-6850; Digital Henge Rev0: JS1400, JS2400; IBM xSeries x336 (8837)26; LangChao: NC3000, NC3500, NF520; Lenovo SureServer: R650, T650; Samsung: ZSS150, ZSS230	Red Hat RHEL [EM64T] 4.0: U4 AS/ES v2.6.9-42.EL, U4+ AS/ES v2.6.9-42.0.2.EL	PCI Express	QLogic QLE2360-E-SP4, 40, 41, 48	FC-AL, FC-SW	Intel SSR212PP f	Y
187	Digital Henge INNO: HR-4850, HR-6850; LangChao: NC3000, NC3500, NF500, NF520; Samsung ZSS230	Red Hat RHEL [EM64T] 4.0: U4 AS/ES v2.6.9-42.EL, U4+ AS/ES v2.6.9-42.0.2.EL	PCI Express	QLogic QLE2360-E-SP40, 41, 48	FC-AL, FC-SW	Intel SSR212PP f	Y
188	Dell PowerEdge: 1800, 1850, 1950, 2800, 2850, 6800, 6850; Digital Henge INNO: HR-4850, HR-6850; Digital Henge Rev0: JS1400, JS2400; LangChao: NC3000, NC3500, NF520; Lenovo SureServer: R650, T650; Samsung: ZSS150, ZSS230	Red Hat RHEL [EM64T] 4.0: U4 AS/ES v2.6.9-42.EL, U4+ AS/ES v2.6.9-42.0.2.EL	PCI Express	QLogic QLE2460-E-SP4, 5, 48	FC-AL, FC-SW	Intel SSR212PP f	Y
189	Dell PowerEdge: 2900, 2950, 6800, 6850; Digital Henge Rev0: AS1500, AS1550, AS2500; HPQ Proliant ML350(G4)28; Intel: SR1500/S5000PAL, SR2500/S5000PAL	Red Hat RHEL [EM64T] 4.0: U4 AS/ES v2.6.9-42.EL, U4+ AS/ES v2.6.9-42.0.2.EL	PCI Express, PCI-X	Emulex LP101-E1, 4, 10, 49; QLogic: QLA200-E-SP4, 20, 48, QLA210-E-SP4, 20, 48	FC-AL, FC-SW	Intel SSR212PP f	Y
Red Hat RHEL [EM64T]							
No.	Host System	Operating System	Host Bus	Host Bus Adapter	Topology	Storage Array	External Boot
190	Dell PowerEdge: 2900, 2950, 6800, 6850; Digital Henge Rev0: AS1500, AS1550, AS2500; IBM xSeries: x3550 (7978), x3650 (7979); Intel: SR1500/S5000PAL, SR2500/S5000PAL	Red Hat RHEL [EM64T] 4.0: U4 AS/ES v2.6.9-42.EL, U4+ AS/ES v2.6.9-42.0.2.EL	PCI Express, PCI-X	Emulex LP1050-E1, 4, 31, 49; QLogic QLA2340-E-SP4, 12, 48	FC-AL, FC-SW	Intel SSR212PP f	Y
191	Dell PowerEdge: 2900, 2950, 6800, 6850; Digital Henge Rev0: AS1500, AS1550, AS2500; Intel: SR1500/S5000PAL, SR2500/S5000PAL	Red Hat RHEL [EM64T] 4.0: U4 AS/ES v2.6.9-42.EL, U4+ AS/ES v2.6.9-42.0.2.EL	PCI Express, PCI-X	Emulex LP982-E1, 4, 49	FC-AL, FC-SW	Intel SSR212PP f	Y
192	HPQ Proliant ML350(G4)28	Red Hat RHEL [EM64T] 4.0: U4 AS/ES v2.6.9-42.EL, U4+ AS/ES v2.6.9-42.0.2.EL	PCI Express, PCI-X	Emulex: LP1050-E1, 31, 49, LP982-E1, 49; HPQ: AB429A/FC1143 (QLA2460)4, 33, 48, AE369A/FC1243 (QLA2462)4, 33, 48;	FC-AL, FC-SW	Intel SSR212PP f	Y

				QLogic: QLA2340-E-SP12, 48, QLE220-E-SP4, 27, 30, 38			
193	Dell PowerEdge: 2900, 2950; Digital Henge Revo: AS1500, AS1550, AS2500; Intel: SR1500/S5000PAL, SR2500/S5000PAL	Red Hat RHEL [EM64T] 4.0: U4 AS/ES v2.6.9-42.EL, U4+ AS/ES v2.6.9-42.0.2.EL	PCI Express, PCI-X	Emulex: LP1050Ex-E1, 4, 10, 49, LPe111-E1, 4, 37, 49, LPe1150-E1, 3, 4, 49; QLogic: QLE2360-E-SP4, 40, 41, 48, QLE2460-E-SP4, 5, 48	FC-AL, FC-SW	Intel SSR212PPf	Y
194	IBM xSeries: x3550 (7978), x3650 (7979)	Red Hat RHEL [EM64T] 4.0: U4 AS/ES v2.6.9-42.EL, U4+ AS/ES v2.6.9-42.0.2.EL	PCI Express, PCI-X	IBM: 24P0960 (QLA2340)4, 12, 48, 55, 24P8053 (QLA2342)4, 12, 48; QLogic: QLA2460-E-SP4, 48, 64, QLE2360-E-SP4, 48, 65, QLE2460-E-SP4, 48, 64	FC-AL, FC-SW	Intel SSR212PPf	Y
195	NEC Express 5800: 120Li, 120Rg-1, 120Ri-2, 140Hf, 140Re-4	Red Hat RHEL [EM64T] 4.0: U4 AS/ES v2.6.9-42.EL, U4+ AS/ES v2.6.9-42.0.2.EL	PCI Express, PCI-X	NEC: N8190-120 (LP1050)11, 31, 49, 61, N8190-127 (LPe1150)3, 11, 49, 61	FC-AL, FC-SW	Intel SSR212PPf	Y
196	Dell PowerEdge: 1850, 1900, 2850, 2900, 2950, 6800, 6850; Digital Henge Revo: AS1500, AS1550, AS2500; Intel: SR1500/S5000PAL, SR2500/S5000PAL	Red Hat RHEL [EM64T] 4.0: U4 AS/ES v2.6.9-42.EL, U4+ AS/ES v2.6.9-42.0.2.EL	PCI Express, PCI-X	QLogic QLE220-E-SP4, 30, 38	FC-AL, FC-SW	Intel SSR212PPf	Y
197	Digital Henge Revo: JS1400, JS2400	Red Hat RHEL [EM64T] 4.0: U4 AS/ES v2.6.9-42.EL, U4+ AS/ES v2.6.9-42.0.2.EL	PCI Express, PCI-X22	Emulex: LP101-E1, 4, 10, 49, LP1050-E1, 31, 49, LP982-E1, 49; QLogic: QLA200-E-SP4, 20, 48, QLA210-E-SP4, 20, 48, QLA2340-E-SP12, 48, QLE220-E-SP4, 27, 30, 38	FC-AL, FC-SW	Intel SSR212PPf	Y
198	Dell PowerEdge 1855	Red Hat RHEL [EM64T] 4.0: U4 AS/ES v2.6.9-42.EL, U4+ AS/ES v2.6.9-42.0.2.EL	PCI-X	Dell: 2342M12, 48, LPe1105-M1, 3, 4, 49, QME24624, 46, 48	FC-AL, FC-SW	Intel SSR212PPf	Y
199	Dell PowerEdge: 1850, 1950; Digital Henge SH4500R4; HPQ Proliant DL360(G4)28; LangChao NF420; Lenovo SureServer: R630 6004, T630 6003	Red Hat RHEL [EM64T] 4.0: U4 AS/ES v2.6.9-42.EL, U4+ AS/ES v2.6.9-42.0.2.EL	PCI-X	Emulex LP101-E1, 4, 10, 49; QLogic QLA200-E-SP4, 20, 48	FC-AL, FC-SW	Intel SSR212PPf	Y
200	Digital Henge INNO: HR-4850, HR-6850; LangChao: NC3000, NC3500, NF500, NF520	Red Hat RHEL [EM64T] 4.0: U4 AS/ES v2.6.9-42.EL, U4+ AS/ES v2.6.9-42.0.2.EL	PCI-X	Emulex LP101-E1, 10, 49	FC-AL, FC-SW	Intel SSR212PPf	Y
201	Dell PowerEdge: 1850, 1950; Digital Henge SH4500R4; IBM xSeries: x255, x336 (8837)26, x346 (8840)26; LangChao: NC2000, NC3000, NC3500, NF420, NF500, NF520; Lenovo SureServer R630: 6003, 6004; Lenovo SureServer: R650, T630 6003, T650; Samsung: SS210, SS370, SS3840, ZSS150, ZSS230	Red Hat RHEL [EM64T] 4.0: U4 AS/ES v2.6.9-42.EL, U4+ AS/ES v2.6.9-42.0.2.EL	PCI-X	Emulex LP1050-E1, 4, 31, 49; QLogic QLA2340-E-SP4, 12, 48	FC-AL, FC-SW	Intel SSR212PPf	Y

Red Hat RHEL [EM64T]

No.	Host System	Operating System	Host Bus	Host Bus Adapter	Topology	Storage Array	External Boot
202	Dell PowerEdge 1850; Digital Henge INNO: HR-4850, HR-6850; Digital Henge SH4500R4; IBM xSeries: x255, x336 (8837)26, x346 (8840)26; LangChao: NC2000, NC3000, NC3500, NF420, NF500, NF520; Lenovo SureServer R630: 6003, 6004; Lenovo SureServer: R650, T630 6003, T650;	Red Hat RHEL [EM64T] 4.0: U4 AS/ES v2.6.9-42.EL, U4+ AS/ES v2.6.9-42.0.2.EL	PCI-X	Emulex LP982-E1, 4, 49	FC-AL, FC-SW	Intel SSR212PPf	Y

	Samsung: SS210, SS370, SS3840, ZSS150, ZSS230							
203	Digital Henge INNO: HR-4850, HR-6850; HPQ Proliant DL360(G4)28; LangChao: NC3000, NC3500, NF500, NF520	Red Hat RHEL [EM64T] 4.0: U4 AS/ES v2.6.9-42.EL, U4+ AS/ES v2.6.9-42.0.2.EL	PCI-X	Emulex: LP1050-E1, 31, 49, LP982-E1, 49	FC-AL, FC-SW	Intel SSR212PPf	Y	
204	HPQ Proliant BL460c: (416653-B21), (416654-B21), (416655-B21), (416656-B21), (432636-B21); HPQ Proliant BL480c: (416666-B21), (416667-B21), (416668-B21), (416669-B21)	Red Hat RHEL [EM64T] 4.0: U4 AS/ES v2.6.9-42.EL, U4+ AS/ES v2.6.9-42.0.2.EL	PCI-X	HPQ Emulex LPe1105-HP 4Gb FC HBA for HP c-Class Bladesystem (403621-B21)49, 69, 77	FC-AL, FC-SW	Intel SSR212PPf	Y16, 17	
205	HPQ Proliant BL460c: (416653-B21), (416654-B21), (416655-B21), (416656-B21), (432636-B21); HPQ Proliant BL480c: (416666-B21), (416667-B21), (416668-B21), (416669-B21)	Red Hat RHEL [EM64T] 4.0: U4 AS/ES v2.6.9-42.EL, U4+ AS/ES v2.6.9-42.0.2.EL	PCI-X	HPQ QLogic QMH2462 4Gb FC HBA for HP c-Class Bladesystem (403619-B21)48, 68	FC-AL, FC-SW	Intel SSR212PPf	N	
206	HPQ Proliant DL360(G4)28	Red Hat RHEL [EM64T] 4.0: U4 AS/ES v2.6.9-42.EL, U4+ AS/ES v2.6.9-42.0.2.EL	PCI-X	HPQ: AB429A/FC1143 (QLA2460)4, 33, 48, AE369A/FC1243 (QLA2462)4, 33, 48	FC-AL, FC-SW	Intel SSR212PPf	Y	
207	NEC Express 5800: 120Lh, 120Re-1, 120Rf-1, 120Rg-2, 120Rh-2, 140He, 140Rd-4	Red Hat RHEL [EM64T] 4.0: U4 AS/ES v2.6.9-42.EL, U4+ AS/ES v2.6.9-42.0.2.EL	PCI-X	NEC N8190-120 (LP1050)1, 10, 11, 49	FC-AL, FC-SW	Intel SSR212PPf	Y	
208	NEC Express 5800: 140He, 140Rd-4	Red Hat RHEL [EM64T] 4.0: U4 AS/ES v2.6.9-42.EL, U4+ AS/ES v2.6.9-42.0.2.EL	PCI-X	NEC N8190-127 (LPe1150)1, 11, 14, 49	FC-AL, FC-SW	Intel SSR212PPf	Y	
209	Dell PowerEdge 1850; Digital Henge SH4500R4; HPQ Proliant DL360(G4)28; LangChao NF420; Lenovo SureServer: R630 6004, T630 6003	Red Hat RHEL [EM64T] 4.0: U4 AS/ES v2.6.9-42.EL, U4+ AS/ES v2.6.9-42.0.2.EL	PCI-X	QLogic QLA210-E-SP4, 20, 48	FC-AL, FC-SW	Intel SSR212PPf	Y	
210	Digital Henge INNO: HR-4850, HR-6850; Digital Henge SH4500R4; HPQ Proliant DL360(G4)28; LangChao: NC2000, NC3000, NC3500, NF420, NF500, NF520; Lenovo SureServer: R630 6004, T630 6003	Red Hat RHEL [EM64T] 4.0: U4 AS/ES v2.6.9-42.EL, U4+ AS/ES v2.6.9-42.0.2.EL	PCI-X	QLogic QLA2340-E-SP12, 48	FC-AL, FC-SW	Intel SSR212PPf	Y	
211	Digital Henge SH4500R4; Fujitsu Siemens Primergy: RX300 S2, TX200 S2, TX300 S2; HPQ Proliant DL360(G4)28; LangChao NF420; Lenovo SureServer: R630 6004, T630 6003	Red Hat RHEL [EM64T] 4.0: U4 AS/ES v2.6.9-42.EL, U4+ AS/ES v2.6.9-42.0.2.EL	PCI-X	QLogic QLE220-E-SP4, 27, 30, 38	FC-AL, FC-SW	Intel SSR212PPf	Y	
212	Dell PowerEdge 1955	Red Hat RHEL [EM64T] 4.0: U4 AS/ES v2.6.9-42.EL, U4+ AS/ES v2.6.9-42.0.2.EL	PCI, PCI Express, PCI-X	Dell: LPe1105-M1, 3, 4, 49, QME24624, 46, 48	FC-AL, FC-SW	Intel SSR212PPf	Y	
213	HPQ Proliant DL380(G5)	Red Hat RHEL [EM64T] 4.0: U4 AS/ES v2.6.9-42.EL, U4+ AS/ES v2.6.9-42.0.2.EL	PCI, PCI Express, PCI-X	Emulex: LP101-E1, 4, 10, 49, LP1050-E1, 31, 49, LP982-E1, 49; HPQ: AB429A/FC1143 (QLA2460)4, 33, 48, AE369A/FC1243 (QLA2462)4, 33, 48; QLogic: QLA200-E-SP4, 20, 48, QLA210-E-SP4, 20, 48, QLA2340-E-SP12, 48	FC-AL, FC-SW	Intel SSR212PPf	Y	
Red Hat RHEL [EM64T]								

No.	Host System	Operating System	Host Bus	Host Bus Adapter	Topology	Storage Array	External Boot
214	HPQ Proliant: DL380(G5), DL580(G4)	Red Hat RHEL [EM64T] 4.0: U4 AS/ES v2.6.9-42.EL, U4+ AS/ES v2.6.9-42.0.2.EL	PCI, PCI Express, PCI-X	Emulex: LPe111-E1, 4, 37, 49, LPe1150-E1, 3, 4, 49; HPQ: A8002A/FC2142SR (LPe1150)1, 4, 14, 49, AE311A/FC1142SR (QLE2460)4, 5, 48, AE312A/FC1242SR (QLE2462)4, 5, 48; QLogic: QLE2460-E-SP4, 5, 48, QLE2462-E-SP4, 5, 48	FC-AL, FC-SW	Intel SSR212PPf	Y
215	HPQ Proliant: DL380(G5), DL580(G3)28, DL580(G4)	Red Hat RHEL [EM64T] 4.0: U4 AS/ES v2.6.9-42.EL, U4+ AS/ES v2.6.9-42.0.2.EL	PCI, PCI Express, PCI-X	QLogic QLE220-E-SP4, 27, 30, 38	FC-AL, FC-SW	Intel SSR212PPf	Y
216	Dell PowerEdge: 1800, 2800	Red Hat RHEL [EM64T] 4.0: U4 AS/ES v2.6.9-42.EL, U4+ AS/ES v2.6.9-42.0.2.EL	PCI, PCI Express, PCI-X	QLogic QLE220-E-SP4, 30, 38	FC-AL, FC-SW	Intel SSR212PPf	Y
217	HPQ Proliant: DL380(G4)28, ML370(G4)28	Red Hat RHEL [EM64T] 4.0: U4 AS/ES v2.6.9-42.0.2.EL	PCI, PCI-X	Emulex: LP101-E1, 4, 10, 49, LP1050-E1, 31, 49, LP982-E1, 49; HPQ: AB429A/FC1143 (QLA2460)4, 33, 48, AE369A/FC1243 (QLA2462)4, 33, 48; QLogic: QLA200-E-SP4, 20, 48, QLA210-E-SP4, 20, 48, QLA2340-E-SP12, 48, QLE220-E-SP4, 27, 30, 38	FC-AL, FC-SW	Intel SSR212PPf	Y
218	Dell PowerEdge: 1800, 1850, 2800, 2850; IBM xSeries: x365, x440, x445 (8870); Samsung: ES470, ES570, SS140	Red Hat RHEL [EM64T] 4.0: U4 AS/ES v2.6.9-42.EL, U4+ AS/ES v2.6.9-42.0.2.EL	PCI, PCI-X	Emulex: LP1050-E1, 4, 31, 49, LP982-E1, 4, 49; QLogic QLA2340-E-SP4, 12, 48	FC-AL, FC-SW	Intel SSR212PPf	Y
219	IBM BladeCenter HS20 (Model 8843)	Red Hat RHEL [EM64T] 3.0 U7 AS/ES v2.4.21-40.EL18, 19	PCI-X	IBM: Emulex 4Gb SFF Fibre Channel Exp Card (39Y9186)4, 39, 53, 54, HS20 4GB SFF FC Exp Card (26R0890)4, 8, 21, HS20 FC Exp Card (26K4841)4, 12, 21	FC-SW	Intel SSR212PPf	Y
220	IBM BladeCenter HS21 (Model 8853)51	Red Hat RHEL [EM64T] 3.0 U7 AS/ES v2.4.21-40.EL18, 19	PCI-X	IBM: Emulex 4Gb SFF Fibre Channel Exp Card (39Y9186)4, 39, 53, 54, HS20 4GB SFF FC Exp Card (26R0890)4, 8, 9, 21, HS20 FC Exp Card (13N2203)4, 12, 21, HS20 FC Exp Card (48P7061)4, 12, 21	FC-SW	Intel SSR212PPf	Y52
221	IBM BladeCenter HS20 (Model: 8832-N1X), 8843)	Red Hat RHEL [EM64T] 3.0 U7 AS/ES v2.4.21-40.EL18, 19	PCI-X	IBM: Emulex LP1005DC FC Exp Card1, 4, 39, 50, HS20 4GB Standard FC Exp Card (26R0884)4, 7, 21, HS20 FC Exp Card (13N2203)4, 12, 21, HS20 FC Exp Card (48P7061)4, 12, 21	FC-SW	Intel SSR212PPf	Y
222	IBM BladeCenter HS20 (Model 8843)	Red Hat RHEL [EM64T] 3.0 U8 AS/ES v2.4.21-47.EL18, 19	PCI-X	IBM: Emulex 4Gb SFF Fibre Channel Exp Card (39Y9186)4, 36, 53, 54, HS20 4GB SFF FC Exp Card (26R0890)4, 8, 56, HS20 FC Exp Card (26K4841)4, 12, 56	FC-SW	Intel SSR212PPf	Y
223	IBM BladeCenter HS21 (Model 8853)51	Red Hat RHEL [EM64T] 3.0 U8 AS/ES v2.4.21-47.EL18, 19	PCI-X	IBM: Emulex 4Gb SFF Fibre Channel Exp Card (39Y9186)4, 36, 53, 54, HS20 4GB SFF FC Exp Card (26R0890)4, 8, 9, 56, HS20 FC Exp Card (13N2203)4, 12, 56, HS20 FC Exp Card (48P7061)4, 12, 56	FC-SW	Intel SSR212PPf	Y52
224	IBM BladeCenter HS20 (Model: 8832-N1X), 8843)	Red Hat RHEL [EM64T] 3.0 U8 AS/ES v2.4.21-47.EL18, 19	PCI-X	IBM: Emulex LP1005DC FC Exp Card1, 4, 36, 50, HS20 4GB Standard FC Exp Card (26R0884)4, 7, 56, HS20 FC Exp Card (13N2203)4, 12, 56, HS20 FC Exp Card (48P7061)4, 12, 56	FC-SW	Intel SSR212PPf	Y
225	IBM BladeCenter HS20 (Model 8843)	Red Hat RHEL [EM64T] 3.0: U5 AS/ES v2.4.21-32.EL18, 73, U5+ AS/ES v2.4.21-32.0.1.EL18, 73	PCI-X	IBM HS20 FC Exp Card (26K4841)4, 12, 75, 79	FC-SW	Intel SSR212PPf	Y17, 45
226	IBM BladeCenter HS20 (Model: 8832-N1X), 8843)	Red Hat RHEL [EM64T] 3.0: U5 AS/ES v2.4.21-32.EL18, 73, U5+ AS/ES v2.4.21-32.0.1.EL18, 73	PCI-X	IBM HS20 FC Exp Card: (13N2203)4, 12, 75, 79, (48P7061)4, 12, 75, 79	FC-SW	Intel SSR212PPf	Y17, 45
227	IBM BladeCenter HS20 (Model 8843)	Red Hat RHEL [EM64T] 3.0: U6 AS/ES v2.4.21-37.EL, U6+ AS/ES v2.4.21-37.0.1.EL	PCI-X	IBM HS20 4GB SFF FC Exp Card (26R0890)4, 8, 21	FC-SW	Intel SSR212PPf	N17, 45
228	IBM BladeCenter HS20 (Model: 8832-N1X), 8843)	Red Hat RHEL [EM64T] 3.0: U6 AS/ES v2.4.21-37.EL, U6+ AS/ES v2.4.21-37.0.1.EL	PCI-X	IBM HS20 4GB Standard FC Exp Card (26R0884)4, 7, 21	FC-SW	Intel SSR212PPf	N17, 45
229	IBM BladeCenter HS20 (Model 8843)	Red Hat RHEL [EM64T] 3.0: U6 AS/ES v2.4.21-37.EL, U6+ AS/ES v2.4.21-37.0.1.EL	PCI-X	IBM HS20 FC Exp Card (26K4841)4, 12, 21	FC-SW	Intel SSR212PPf	Y17, 45
230	IBM BladeCenter HS20 (Model: 8832-N1X), 8843)	Red Hat RHEL [EM64T] 3.0: U6 AS/ES v2.4.21-37.EL, U6+ AS/ES v2.4.21-37.0.1.EL	PCI-X	IBM: Emulex LP1005DC FC Exp Card1, 4, 47, 50, HS20 FC Exp Card (13N2203)4, 12, 21, HS20 FC Exp Card (48P7061)4, 12, 21	FC-SW	Intel SSR212PPf	Y17, 45
231	IBM BladeCenter HS20 (Model 8843)	Red Hat RHEL [EM64T] 4.0: U2 AS/ES v2.6.9-22.EL, U2+ AS/ES v2.6.9-22.0.1.EL, U2+ AS/ES v2.6.9-22.0.2.EL	PCI-X	IBM HS20: 4GB SFF FC Exp Card (26R0890)4, 8, 9, 66, FC Exp Card (26K4841)4, 12, 32	FC-SW	Intel SSR212PPf	Y16, 17
232	IBM BladeCenter HS20 (Model: 8832-N1X), 8843)	Red Hat RHEL [EM64T] 4.0: U2 AS/ES v2.6.9-22.EL, U2+ AS/ES v2.6.9-22.0.1.EL, U2+ AS/ES v2.6.9-22.0.2.EL	PCI-X	IBM: Emulex LP1005DC FC Exp Card1, 4, 15, 50, HS20 4GB Standard FC Exp Card (26R0884)4, 7, 32, HS20 FC Exp Card (13N2203)4, 12, 32, HS20 FC Exp Card (48P7061)4, 12, 32	FC-SW	Intel SSR212PPf	Y16, 17
233	IBM BladeCenter HS20 (Model 8843)	Red Hat RHEL [EM64T] 4.0: U3 AS/ES v2.6.9-34.EL, U3+ AS/ES v2.6.9-34.0.1.EL, U3+ AS/ES v2.6.9-34.0.2.EL	PCI-X	IBM HS20 FC Exp Card (26K4841)4, 6, 12	FC-SW	Intel SSR212PPf	Y
234	IBM BladeCenter HS20 (Model: 8832-N1X), 8843);	Red Hat RHEL [EM64T] 4.0: U3 AS/ES v2.6.9-34.EL, U3+ AS/ES v2.6.9-34.0.1.EL, U3+ AS/ES v2.6.9-34.0.2.EL	PCI-X	IBM HS20 FC Exp Card: (13N2203)4, 6, 12, (48P7061)4, 6, 12	FC-SW	Intel SSR212PPf	Y

Red Hat RHEL [EM64T]							
No.	Host System	Operating System	Host Bus	Host Bus Adapter	Topology	Storage Array	External Boot
235	IBM BladeCenter HS21 (Model 8853)51	Red Hat RHEL [EM64T] 4.0: U3 AS/ES v2.6.9-34.EL, U3+ AS/ES v2.6.9-34.0.1.EL, U3+ AS/ES v2.6.9-34.0.2.EL	PCI-X	IBM: Emulex 4Gb SFF Fibre Channel Exp Card (39Y9186)2, 4, 53, 54, HS20 4GB SFF FC Exp Card (26R0890)4, 6, 8, 9	FC-SW	Intel SSR212PPf	Y
236	IBM BladeCenter HS20 (Model: 8832-N1X), 8843)	Red Hat RHEL [EM64T] 4.0: U3 AS/ES v2.6.9-34.EL, U3+ AS/ES v2.6.9-34.0.1.EL, U3+ AS/ES v2.6.9-34.0.2.EL	PCI-X	IBM: Emulex LP1005DC FC Exp Card1, 2, 4, 50, HS20 4GB Standard FC Exp Card (26R0884)4, 6, 7	FC-SW	Intel SSR212PPf	Y
237	IBM BladeCenter HS20 (Model 8843)	Red Hat RHEL [EM64T] 4.0: U4 AS/ES v2.6.9-42.EL, U4+ AS/ES v2.6.9-42.0.2.EL	PCI-X	IBM HS20 FC Exp Card (26K4841)4, 12, 48	FC-SW	Intel SSR212PPf	Y
238	IBM BladeCenter HS20 (Model: 8832-N1X), 8843); IBM BladeCenter HS21 (Model 8853)51	Red Hat RHEL [EM64T] 4.0: U4 AS/ES v2.6.9-42.EL, U4+ AS/ES v2.6.9-42.0.2.EL	PCI-X	IBM HS20 FC Exp Card: (13N2203)4, 12, 48, (48P7061)4, 12, 48	FC-SW	Intel SSR212PPf	Y
239	IBM BladeCenter HS20 (Model 8843), HS21 (Model 8853)51	Red Hat RHEL [EM64T] 4.0: U4 AS/ES v2.6.9-42.EL, U4+ AS/ES v2.6.9-42.0.2.EL	PCI-X	IBM: Emulex 4Gb SFF Fibre Channel Exp Card (39Y9186)4, 49, 53, 54, HS20 4GB SFF FC Exp Card (26R0890)4, 8, 9, 48	FC-SW	Intel SSR212PPf	Y
240	IBM BladeCenter HS20 (Model: 8832-N1X), 8843)	Red Hat RHEL [EM64T] 4.0: U4 AS/ES v2.6.9-42.EL, U4+ AS/ES v2.6.9-42.0.2.EL	PCI-X	IBM: Emulex LP1005DC FC Exp Card1, 4, 49, 50, HS20 4GB Standard FC Exp Card (26R0884)4, 7, 48	FC-SW	Intel SSR212PPf	Y

1. BIOS 1.70a3 Available in the EMC-approved section of the Emulex website. <http://www.emulex.com>
2. Driver Version 8.0.16.18 Driver is integrated into the kernel.
3. Firmware Version 2.50a6
4. SNIA HBA API Supported.
5. BIOS 1.08 Available in the EMC-approved section of the QLogic website. <http://www.qlogic.com>
6. Driver Version 8.01.02-d4 Driver is integrated into the kernel.
7. BIOS 1.12 Available in the EMC-approved section of the QLogic website. <http://www.qlogic.com>
8. BIOS 1.12
9. Available in the EMC-approved section of the QLogic website. <http://www.qlogic.com>
10. Firmware Version 1.91a5 Available in the EMC-approved section of the Emulex website. <http://www.emulex.com>
11. EMC supported drivers, firmware, and boot BIOS can be downloaded from <http://www.emulex.com> in the EMC section, by obtaining the supported driver for the Emulex LP1050-E.
12. BIOS 1.47 Available in the EMC-approved section of the QLogic website. <http://www.qlogic.com>
13. **FSC Fibre Channel module. Dual channel 2GBit/s HBA for BX6xx-series blade servers only.**
14. Firmware Version 2.50a6 Available in the EMC-approved section of the Emulex website. <http://www.emulex.com>
15. Driver Version 8.0.16.17 Driver is integrated into the kernel.
16. Booting from the SAN with PowerPath is supported. Refer to the Path Management Software section for supported versions of PowerPath.
17. VxVM is not supported on servers booting from the array.
18. Red Hat does not currently support reiserfs on RHEL 3.0. As a result, EMC supports only the ext2 and ext3 filesystems on RHEL 3.0. If there is a customer requirement for a different filesystem, please submit an RPQ.
19. The LVM included as part of this update is supported and can be used in conjunction with PowerPath emcpower pseudo device file names as well as native sd device file names.
20. BIOS 1.23 Available in the EMC-approved section of the QLogic website. <http://www.qlogic.com>
21. Driver Version 7.07.00 Available in the EMC-approved section of the QLogic website. <http://www.qlogic.com>
22. PCI-X slots in this server only support low-profile hbas with low-profile brackets. Please ensure your HBA vendor has included the proper bracket to fit this server.
23. Accepts PCI-X 1.0 and 2.0 HBAs.
24. Support for 4Gb fibre channel HBAs requires an IBM SPORE to be submitted to IBM.
25. This system is supported only when the IBM ServeRAID 8i SAS RAID controller (13N227) is installed or when the server is being booted remotely from external storage.
26. 4GB HBAs are not supported in this server. RPQs for 4GB HBAs will not be approved for this server.
27. Driver/BIOS are available at <http://www.qlogic.com>
28. HPQ (Compaq) Proliant server models that are not listed in the ESM but are only differentiated from supported models by an "R" designator, are rack-mountable servers and are supported.
29. Driver Version 8.01.05 Driver/BIOS are available at <http://www.qlogic.com>
30. BIOS 1.02 Driver/BIOS are available at <http://www.qlogic.com>
31. Firmware Version 1.91a5
32. Driver Version 8.01.00 Available in the EMC-approved section of the QLogic website. <http://www.qlogic.com>
33. BIOS 1.17 Available in the EMC-approved section of the QLogic website. <http://www.qlogic.com>
34. Driver Version 8.01.02-d4 Available in the EMC-approved section of the QLogic website. <http://www.qlogic.com> Driver is integrated into the kernel.
35. Driver Version 8.01.02-d4 Available in the EMC-approved section of the QLogic website. <http://www.qlogic.com>
36. Driver Version 7.3.6 Driver is integrated into the kernel.
37. Firmware Version 2.50a8 Available in the EMC-approved section of the Emulex website. <http://www.emulex.com>
38. Driver Version 8.01.06 Driver/BIOS are available at <http://www.qlogic.com>
39. Driver Version 7.3.3 Driver is integrated into the kernel.
40. BIOS 1.05 Available in the EMC-approved section of the QLogic website. <http://www.qlogic.com>
41. Requires BIOS 1.05 available from the EMC-approved section of the QLogic website at <http://www.qlogic.com>
42. Driver Version 7.07.05 Driver/BIOS are available at <http://www.qlogic.com>
43. Driver Version 8.00.03b-1 Available in the EMC-approved section of the QLogic website. <http://www.qlogic.com>
44. For Emulex attach, a LUN within the range of 000 -007 must exist in order for the FC driver to scan all devices. For QLogic attach, LUN 000 must exist in order for the FC driver to scan all devices.
45. Booting from the SAN with PowerPath is not supported.
46. BIOS 1.11 Available in the EMC-approved section of the QLogic website. <http://www.qlogic.com>
47. Driver Version 7.3.2 Driver is integrated into the kernel.

Intel® Storage System SSR212PP-Series

Red Hat* Linux (32-Bit)

48. Driver Version 8.01.04-d7 Driver is integrated into the kernel.
49. Driver Version 8.0.16.27 Driver is integrated into the kernel.
50. Firmware Version 1.90a5 Available in the EMC-approved section of the Emulex website. <http://www.emulex.com>
51. **BladeCenter support for Windows 2000 operating systems requires an IBM SPORE to be submitted to IBM, then if approved by IBM, be subsequently submitted to EMC as an RPQ for review.**
52. PowerPath is not supported.
53. BIOS 1.71.a0 Available in the EMC-approved section of the Emulex website. <http://www.emulex.com>
54. Firmware Version 2.10.a10 Available in the EMC-approved section of the Emulex website. <http://www.emulex.com>
55. This HBA is equivalent to the QLogic QLA2340.
56. Driver Version 7.07.04-b6 Driver is integrated into the kernel.
57. Driver Version 7.07.00
58. dual core machine not support
59. Firmware Version 1.91a1
60. Driver Version 8.0.16.18
61. BIOS 1.70a3
62. Driver Version 7.07.05
63. BIOS 1.02
64. BIOS 1.08 Available in the EMC-approved section of the QLogic website. <http://www.qlogic.com> Available in the EMC-approved section of the Emulex website. <http://www.emulex.com>
65. BIOS 1.05 Available in the EMC-approved section of the QLogic website. <http://www.qlogic.com> Available in the EMC-approved section of the Emulex website. <http://www.emulex.com>
66. Driver Version 8.01.00
67. Driver Version 8.0.16.6_p3 Driver is integrated into the kernel.
68. BIOS 1.16
69. BIOS 6.00a1 Available in the EMC-approved section of the Emulex website. <http://www.emulex.com>
70. Firmware Version 2.50a8 Available in the EMC-approved section of the Emulex website. <http://www.emulex.com> Driver is integrated into the kernel.
71. Driver Version 7.3.2 Available in the EMC-approved section of the Emulex website. <http://www.emulex.com>
72. Driver Version 8.0.16.6_x2 Driver is integrated into the kernel.
73. The LVM integrated into the kernel is supported. Please note, however, that the LVM will not recognize PowerPath emcpower pseudo device file names. The native sd device file names must be used.
74. Driver Version 7.01.01 Driver is integrated into the kernel.
75. Driver Version 7.03.00 Available in the EMC-approved section of the QLogic website. <http://www.qlogic.com>
76. Driver Version 7.1.14 Driver is integrated into the kernel.
77. Firmware Version 2.50a8
78. Firmware Version 2.50a8 Driver is integrated into the kernel.
79. Driver Version 7.01.01-RH1 Driver is integrated into the kernel.
80. Driver Version 7.04.00 Available in the EMC-approved section of the QLogic website. <http://www.qlogic.com>
81. Driver Version 7.1.14 Available in the EMC-approved section of the Emulex website. <http://www.emulex.com>
82. Driver Version 7.1.14 Driver/Firmware available at <http://www.emulex.com>
83. Driver Version 2.02e Driver/Firmware available at <http://www.emulex.com>

Red Hat* Linux (32-Bit)

Red Hat RHEL [32-Bit]							
No.	Host System	Operating System	Host Bus	Host Bus Adapter	Topology	Storage Array	External Boot
1	HPQ Proliant BL20p (G3)	Red Hat RHEL [32-Bit] 3.0 U5 AS/ES: v2.4.21-32.EL30, 97, 98, v2.4.21-32.EL30, 98; Red Hat RHEL [32-Bit] 3.0 U5+ AS/ES v2.4.21-32.0.1.EL30, 98	PCI-X57	HPQ Dual-port Fibre Channel Adapter for HP Proliant BL20p (G3) 361426-B2177, 96, 107	FC-AL	Intel SSR212PP f	N11, 47
2	HPQ Proliant: BL30p, BL35p	Red Hat RHEL [32-Bit] 3.0 U5 AS/ES: v2.4.21-32.EL30, 97, 98, v2.4.21-32.EL30, 98; Red Hat RHEL [32-Bit] 3.0 U5+ AS/ES v2.4.21-32.0.1.EL30, 98	PCI-X57	HPQ Dual-port Fibre Channel Adapter for HP Proliant BL30p/BL35p 354054-B2177, 107	FC-AL	Intel SSR212PP f	N11, 47
3	HPQ Proliant BL20p: (G3), (G4)	Red Hat RHEL [32-Bit] 3.0 U7 AS/ES v2.4.21-40.EL30, 31	PCI-X57	HPQ Dual-port Fibre Channel Adapter for HP Proliant BL20p (G3) 361426-B2129, 77	FC-AL	Intel SSR212PP f	Y
4	HPQ Proliant: BL30p, BL35p	Red Hat RHEL [32-Bit] 3.0 U7 AS/ES v2.4.21-40.EL30, 31	PCI-X57	HPQ Dual-port Fibre Channel Adapter for HP Proliant BL30p/BL35p 354054-B2129, 77	FC-AL	Intel SSR212PP f	Y
5	HPQ Proliant BL20p: (G3), (G4)	Red Hat RHEL [32-Bit] 3.0 U8 AS/ES v2.4.21-47.EL30, 31	PCI-X57	HPQ Dual-port Fibre Channel Adapter for HP Proliant BL20p (G3) 361426-B2144, 77	FC-AL	Intel SSR212PP f	Y
6	HPQ Proliant: BL30p, BL35p	Red Hat RHEL [32-Bit] 3.0 U8 AS/ES v2.4.21-47.EL30, 31	PCI-X57	HPQ Dual-port Fibre Channel Adapter for HP Proliant BL30p/BL35p 354054-B2144, 77	FC-AL	Intel SSR212PP f	Y
7	HPQ Proliant BL20p (G3)	Red Hat RHEL [32-Bit] 3.0: U6 AS/ES v2.4.21-37.EL, U6+ AS/ES v2.4.21-37.0.1.EL	PCI-X57	HPQ Dual-port Fibre Channel Adapter for HP Proliant BL20p (G3) 361426-B2129, 77	FC-AL	Intel SSR212PP f	N11, 47
8	HPQ Proliant BL30p	Red Hat RHEL [32-Bit] 3.0: U6 AS/ES v2.4.21-37.EL, U6+ AS/ES v2.4.21-37.0.1.EL	PCI-X57	HPQ Dual-port Fibre Channel Adapter for HP Proliant BL30p/BL35p 354054-B2129, 77	FC-AL	Intel SSR212PP f	Y11, 47
9	HPQ Proliant BL35p	Red Hat RHEL [32-Bit] 3.0: U6 AS/ES v2.4.21-37.EL, U6+ AS/ES v2.4.21-37.0.1.EL	PCI-X57	HPQ Dual-port Fibre Channel Adapter for HP Proliant BL30p/BL35p 354054-B2129, 77	FC-AL	Intel SSR212PP f	Y

10	Unisys ES7000/460 [64-Bit]	Red Hat RHEL [32-Bit] 4.0: U2 AS/ES v2.6.9-22.EL, U2+ AS/ES v2.6.9-22.0.1.EL, U2+ AS/ES v2.6.9-22.0.2.EL	PCI	Unisys FCH752323-PCX1, 13, 51	FC-AL	Intel SSR212PPf	Y10, 11
11	Dell PowerEdge: 1550, 2300, 2400, 2450, 2500, 255065, 4300, 4350, 4400, 6100, 6300, 6350, 6400, 6450, 8450; HPQ Proliant: DL3209, DL360(G2)9, DL3609, DL5809, ML350(G2)9, ML350(G3)9, ML3509, ML370(G2)9, ML3709, ML530(G2)9, ML530(G3)9, ML5309, ML5709, ML7509	Red Hat RHEL [32-Bit] 3.0 U5 AS/ES v2.4.21-32.EL30, 97, 98	PCI	QLogic QLA2340-E-SP6	FC-AL, FC-SW	Intel SSR212PPf	N11, 47
12	IBM xSeries: x225, x230, x232, x240, x250, x330, x335, x340 (4500R), x342, x350 (6000R), x370	Red Hat RHEL [32-Bit] 3.0 U5 AS/ES v2.4.21-32.EL30, 97, 98	PCI	QLogic QLA2340-E-SP6, 95	FC-AL, FC-SW	Intel SSR212PPf	N11, 47
13	HPQ Proliant ML350(G4)9	Red Hat RHEL [32-Bit] 3.0 U5 AS/ES v2.4.21-32.EL30, 97, 98	PCI Express, PCI-X	QLogic QLA2340-E-SP6	FC-AL, FC-SW	Intel SSR212PPf	N11, 47
14	IBM xSeries x336 (8837)12	Red Hat RHEL [32-Bit] 3.0 U5 AS/ES v2.4.21-32.EL30, 97, 98	PCI Express, PCI-X	QLogic QLA2340-E-SP6, 95	FC-AL, FC-SW	Intel SSR212PPf	N11, 47
15	Digital Henge Revo: JS1400, JS2400	Red Hat RHEL [32-Bit] 3.0 U5 AS/ES v2.4.21-32.EL30, 97, 98	PCI Express, PCI-X70	QLogic QLA2340-E-SP6	FC-AL, FC-SW	Intel SSR212PPf	N11, 47
16	Dell PowerEdge: 1600SC, 1650, 1750, 2600, 2650, 2850, 4600, 6600, 6650; HPQ Proliant: BL40p, DL360(G3)9, DL360(G4)9, DL5609, DL7409, DL760 (G2)9, DL7609, ML570(G2)9; Samsung: SS370, SS3840	Red Hat RHEL [32-Bit] 3.0 U5 AS/ES v2.4.21-32.EL30, 97, 98	PCI-X	QLogic QLA2340-E-SP6	FC-AL, FC-SW	Intel SSR212PPf	N11, 47
17	IBM xSeries: x235, x255, x346 (8840)12, x360, x365, x440	Red Hat RHEL [32-Bit] 3.0 U5 AS/ES v2.4.21-32.EL30, 97, 98	PCI-X	QLogic QLA2340-E-SP6, 95	FC-AL, FC-SW	Intel SSR212PPf	N11, 47
18	Dell PowerEdge 1850; HPQ Proliant: DL380(G2)9, DL380(G3)9, DL380(G4)9, DL3809, DL580(G2)9, DL580(G3)9, ML370(G3)9, ML370(G4)9	Red Hat RHEL [32-Bit] 3.0 U5 AS/ES v2.4.21-32.EL30, 97, 98	PCI, PCI-X	QLogic QLA2340-E-SP6	FC-AL, FC-SW	Intel SSR212PPf	N11, 47
19	IBM xSeries: x345 (8670), x445 (8870)	Red Hat RHEL [32-Bit] 3.0 U5 AS/ES v2.4.21-32.EL30, 97, 98	PCI, PCI-X	QLogic QLA2340-E-SP6, 95	FC-AL, FC-SW	Intel SSR212PPf	N11, 47
20	Dell PowerEdge: 1550, 2300, 2400, 2450, 2500, 255065, 4300, 4350, 4400, 6100, 6300, 6350, 6400, 6450, 8450	Red Hat RHEL [32-Bit] 3.0 U5 AS/ES: v2.4.21-32.EL30, 97, 98, v2.4.21-32.EL30, 98; Red Hat RHEL [32-Bit] 3.0 U5+ AS/ES v2.4.21-32.0.1.EL30, 98	PCI	Emulex LP101-E1, 13, 104, LP1050-E1, 3, 104, LP982-E1, 104	FC-AL, FC-SW	Intel SSR212PPf	N11, 47
21	HPQ Proliant: DL3209, DL360(G2)9, DL3609, DL5809, ML350(G2)9, ML350(G3)9, ML3509, ML370(G2)9, ML3709, ML530(G2)9, ML530(G3)9, ML5309, ML5709, ML7509	Red Hat RHEL [32-Bit] 3.0 U5 AS/ES: v2.4.21-32.EL30, 97, 98, v2.4.21-32.EL30, 98; Red Hat RHEL [32-Bit] 3.0 U5+ AS/ES v2.4.21-32.0.1.EL30, 98	PCI	Emulex: LP101-E1, 13, 99, LP1050-E1, 3, 99, LP982-E1, 99; QLogic: QLA200-E-SP26, 96, 106, QLA2340-E-SP6, 100, 106	FC-AL, FC-SW	Intel SSR212PPf	N11, 47
22	NEC Express 5800: 120Rd-1, 140Hd, 140Rc-4, 180Rd-4	Red Hat RHEL [32-Bit] 3.0 U5 AS/ES: v2.4.21-32.EL30, 97, 98, v2.4.21-32.EL30, 98; Red Hat RHEL [32-Bit] 3.0 U5+ AS/ES v2.4.21-32.0.1.EL30, 98	PCI	NEC N8190-120: (LP1050)1, 13, 23, 101, (LP1050)1, 13, 23, 102, 103	FC-AL, FC-SW	Intel SSR212PPf	N11, 47

Red Hat RHEL [32-Bit]

No.	Host System	Operating System	Host Bus	Host Bus Adapter	Topology	Storage Array	External Boot
23	Dell PowerEdge: 1800, 1850, 2800, 2850, 6800, 6850; Digital Henge INNO: HR-4850, HR-6850; Digital Henge Revo: JS1400, JS2400; IBM xSeries x336 (8837)12; LangChao: NC3000, NC3500, NF520; Lenovo SureServer: R650, T650; Samsung: ZSS150, ZSS230	Red Hat RHEL [32-Bit] 3.0 U5 AS/ES: v2.4.21-32.EL30, 97, 98, v2.4.21-32.EL30, 98; Red Hat RHEL [32-Bit] 3.0 U5+ AS/ES v2.4.21-32.0.1.EL30, 98	PCI Express	Emulex LP1050Ex-E1, 2, 13, 54; QLogic QLE2360-E-SP2, 14, 15, 29	FC-AL, FC-SW	Intel SSR212PPf	Y11, 47
24	Dell PowerEdge: 1800, 1850, 2800, 2850; LangChao: NC3000, NC3500, NF500, NF520	Red Hat RHEL [32-Bit] 3.0 U5 AS/ES: v2.4.21-32.EL30, 97, 98, v2.4.21-32.EL30, 98; Red Hat RHEL [32-Bit] 3.0 U5+ AS/ES v2.4.21-32.0.1.EL30, 98	PCI Express, PCI-X	Emulex: LP101-E1, 2, 13, 99, LP1050-E1, 2, 3, 99; QLogic: QLA200-E-SP2, 26, 95, 96	FC-AL, FC-SW	Intel SSR212PPf	Y11, 47
25	HPQ Proliant ML350(G4)9	Red Hat RHEL [32-Bit] 3.0 U5 AS/ES: v2.4.21-32.EL30, 97, 98, v2.4.21-32.EL30, 98; Red Hat RHEL [32-Bit] 3.0 U5+ AS/ES v2.4.21-32.0.1.EL30, 98	PCI Express, PCI-X	Emulex: LP101-E1, 13, 99, LP1050-E1, 3, 99, LP982-E1, 99; QLogic: QLA200-E-SP26, 106, QLA2340-E-SP6, 100, 106	FC-AL, FC-SW	Intel SSR212PPf	N11, 47
26	Dell PowerEdge 1855	Red Hat RHEL [32-Bit] 3.0 U5 AS/ES: v2.4.21-32.EL30, 97, 98, v2.4.21-32.EL30, 98; Red Hat RHEL [32-Bit] 3.0 U5+ AS/ES v2.4.21-32.0.1.EL30, 98	PCI-X	Dell 2342M6, 95	FC-AL, FC-SW	Intel SSR212PPf	N11, 47

27	Dell PowerEdge: 1600SC, 1650, 1750	Red Hat RHEL [32-Bit] 3.0 U5 AS/ES: v2.4.21-32.EL30, 97, 98, v2.4.21-32.EL30, 98; Red Hat RHEL [32-Bit] 3.0 U5+ AS/ES v2.4.21-32.0.1.EL30, 98	PCI-X	Emulex LP101-E1, 13, 104	FC-AL, FC-SW	Intel SSR212PP f	N11, 47
28	Dell PowerEdge: 4600, 6600, 6650; HPQ Proliant: BL40p, DL360(G3)9 , DL360(G4)9, DL5609, DL7409, DL760 (G2)9, DL7609, ML570(G2)9	Red Hat RHEL [32-Bit] 3.0 U5 AS/ES: v2.4.21-32.EL30, 97, 98, v2.4.21-32.EL30, 98; Red Hat RHEL [32-Bit] 3.0 U5+ AS/ES v2.4.21-32.0.1.EL30, 98	PCI-X	Emulex LP101-E1, 13, 99	FC-AL, FC-SW	Intel SSR212PP f	N11, 47
29	Dell PowerEdge: 2600, 2650, 6800, 6850; Digital Henge SH4500R4; IBM xSeries: x336 (8837)12, x346 (8840)12 , x3850/x366 (8863)62, 63; LangChao: NC2000, NF420; Lenovo SureServer R630: 6003, 6004; Lenovo SureServer: R650, T630 6003, T650; Samsung: SS370, SS3840, ZSS150, ZSS230	Red Hat RHEL [32-Bit] 3.0 U5 AS/ES: v2.4.21-32.EL30, 97, 98, v2.4.21-32.EL30, 98; Red Hat RHEL [32-Bit] 3.0 U5+ AS/ES v2.4.21-32.0.1.EL30, 98	PCI-X	Emulex: LP101-E1, 2, 13, 99, LP1050-E1, 2, 3, 99; QLogic QLA200-E-SP2, 26, 95, 96	FC-AL, FC-SW	Intel SSR212PP f	Y11, 47
30	Dell PowerEdge: 1600SC, 1650, 1750, 4600, 6600, 6650	Red Hat RHEL [32-Bit] 3.0 U5 AS/ES: v2.4.21-32.EL30, 97, 98, v2.4.21-32.EL30, 98; Red Hat RHEL [32-Bit] 3.0 U5+ AS/ES v2.4.21-32.0.1.EL30, 98	PCI-X	Emulex: LP1050-E1, 3, 104, LP982-E1, 104	FC-AL, FC-SW	Intel SSR212PP f	N11, 47
31	HPQ Proliant: BL40p, DL360(G3)9 , DL360(G4)9, DL5609, DL7409, DL760 (G2)9, DL7609, ML570(G2)9	Red Hat RHEL [32-Bit] 3.0 U5 AS/ES: v2.4.21-32.EL30, 97, 98, v2.4.21-32.EL30, 98; Red Hat RHEL [32-Bit] 3.0 U5+ AS/ES v2.4.21-32.0.1.EL30, 98	PCI-X	Emulex: LP1050-E1, 3, 99, LP982-E1, 99; QLogic QLA2340-E-SP6, 100, 106	FC-AL, FC-SW	Intel SSR212PP f	N11, 47
32	HPQ Proliant BL45p	Red Hat RHEL [32-Bit] 3.0 U5 AS/ES: v2.4.21-32.EL30, 97, 98, v2.4.21-32.EL30, 98; Red Hat RHEL [32-Bit] 3.0 U5+ AS/ES v2.4.21-32.0.1.EL30, 98	PCI-X	HPQ Dual-port Fibre Channel Adapter for HP Proliant BL25p/BL45p 381881-B2182, 96, 107	FC-AL, FC-SW	Intel SSR212PP f	N11, 47
33	NEC Express 5800: 120Lh, 120Re-1, 120Rf-1, 120Rg-2, 120Rh-2	Red Hat RHEL [32-Bit] 3.0 U5 AS/ES: v2.4.21-32.EL30, 97, 98, v2.4.21-32.EL30, 98; Red Hat RHEL [32-Bit] 3.0 U5+ AS/ES v2.4.21-32.0.1.EL30, 98	PCI-X	NEC N8190-120: (LP1050)1, 13, 23, 101, (LP1050)1, 13, 23, 102, 103	FC-AL, FC-SW	Intel SSR212PP f	N11, 47
34	HPQ Proliant DL360(G4)9	Red Hat RHEL [32-Bit] 3.0 U5 AS/ES: v2.4.21-32.EL30, 97, 98, v2.4.21-32.EL30, 98; Red Hat RHEL [32-Bit] 3.0 U5+ AS/ES v2.4.21-32.0.1.EL30, 98	PCI-X	QLogic QLA200-E-SP26, 106	FC-AL, FC-SW	Intel SSR212PP f	N11, 47
35	Dell PowerEdge: 4600, 6600, 6650; HPQ Proliant: BL40p, DL360(G3)9, DL5609 , DL7409, DL760 (G2)9, DL7609, ML570(G2)9	Red Hat RHEL [32-Bit] 3.0 U5 AS/ES: v2.4.21-32.EL30, 97, 98, v2.4.21-32.EL30, 98; Red Hat RHEL [32-Bit] 3.0 U5+ AS/ES v2.4.21-32.0.1.EL30, 98	PCI-X	QLogic QLA200-E-SP26, 96, 106	FC-AL, FC-SW	Intel SSR212PP f	N11, 47

Red Hat RHEL [32-Bit]

No.	Host System	Operating System	Host Bus	Host Bus Adapter	Topology	Storage Array	External Boot
36	Dell PowerEdge: 4600, 6600, 6650; IBM xSeries: x255, x365, x440	Red Hat RHEL [32-Bit] 3.0 U5 AS/ES: v2.4.21-32.EL30, 97, 98, v2.4.21-32.EL30, 98; Red Hat RHEL [32-Bit] 3.0 U5+ AS/ES v2.4.21-32.0.1.EL30, 98	PCI-X	QLogic QLA2340-E-SP6, 100	FC-AL, FC-SW	Intel SSR212PP f	N11, 47
37	HPQ Proliant BL25p	Red Hat RHEL [32-Bit] 3.0 U5 AS/ES: v2.4.21-32.EL30, 97, 98, v2.4.21-32.EL30, 98; Red Hat RHEL [32-Bit] 3.0 U5+ AS/ES v2.4.21-32.0.1.EL30, 98	PCI-X57	HPQ Dual-port Fibre Channel Adapter for HP Proliant BL25p/BL45p 381881-B2182, 96, 107	FC-AL, FC-SW	Intel SSR212PP f	N11, 47
38	IBM xSeries: x3800/x260 (8865)62, 63, x3950/x3950E/x460 (8872, 8874)62, 63	Red Hat RHEL [32-Bit] 3.0 U5 AS/ES: v2.4.21-32.EL30, 97, 98, v2.4.21-32.EL30, 98; Red Hat RHEL [32-Bit] 3.0 U5+ AS/ES v2.4.21-32.0.1.EL30, 98	PCI-X64	Emulex: LP101-E1, 2, 13, 99, LP1050-E1, 2, 3, 99; QLogic QLA200-E-SP2, 26, 95, 96	FC-AL, FC-SW	Intel SSR212PP f	Y11, 47
39	HPQ Proliant: DL1459, DL380(G2)9 , DL380(G3)9, DL380(G4)9, DL3809, DL3859 , DL580(G2)9, DL580(G3)9, DL5859 , ML370(G3)9, ML370(G4)9	Red Hat RHEL [32-Bit] 3.0 U5 AS/ES: v2.4.21-32.EL30, 97, 98, v2.4.21-32.EL30, 98; Red Hat RHEL [32-Bit] 3.0 U5+ AS/ES v2.4.21-32.0.1.EL30, 98	PCI, PCI-X	Emulex LP101-E1, 13, 99	FC-AL, FC-SW	Intel SSR212PP f	N11, 47
40	HPQ Proliant DL3859	Red Hat RHEL [32-Bit] 3.0 U5 AS/ES: v2.4.21-32.EL30, 97, 98, v2.4.21-32.EL30, 98; Red Hat RHEL [32-Bit] 3.0 U5+ AS/ES v2.4.21-32.0.1.EL30, 98	PCI, PCI-X	Emulex LP1050-E1, 3, 104	FC-AL, FC-SW	Intel SSR212PP f	N11, 47
41	HPQ Proliant: DL1459, DL380(G2)9 , DL380(G3)9, DL380(G4)9, DL3809 , DL580(G2)9, DL580(G3)9, DL5859 , ML370(G3)9, ML370(G4)9	Red Hat RHEL [32-Bit] 3.0 U5 AS/ES: v2.4.21-32.EL30, 97, 98, v2.4.21-32.EL30, 98; Red Hat RHEL [32-Bit] 3.0 U5+ AS/ES v2.4.21-32.0.1.EL30, 98	PCI, PCI-X	Emulex LP1050-E1, 3, 99	FC-AL, FC-SW	Intel SSR212PP f	N11, 47

42	HPQ Proliant: DL380(G2)9, DL380(G3)9, DL380(G4)9, DL3809, DL580(G2)9, DL580(G3)9, ML370(G3)9, ML370(G4)9	Red Hat RHEL [32-Bit] 3.0 U5 AS/ES: v2.4.21-32.EL30, 97, 98, v2.4.21-32.EL30, 98; Red Hat RHEL [32-Bit] 3.0 U5+ AS/ES v2.4.21-32.0.1.EL30, 98	PCI, PCI-X	Emulex LP982-E1, 99; QLogic QLA2340-E-SP6, 100, 106	FC-AL, FC-SW	Intel SSR212PPf	N11, 47
43	Samsung: ES470, ES570, SS140	Red Hat RHEL [32-Bit] 3.0 U5 AS/ES: v2.4.21-32.EL30, 97, 98, v2.4.21-32.EL30, 98; Red Hat RHEL [32-Bit] 3.0 U5+ AS/ES v2.4.21-32.0.1.EL30, 98	PCI, PCI-X	Emulex: LP101-E1, 2, 13, 99, LP1050-E1, 2, 3, 99; QLogic QLA200-E-SP2, 26, 95, 96	FC-AL, FC-SW	Intel SSR212PPf	Y11, 47
44	HPQ Proliant: DL380(G4)9, ML370(G4)9	Red Hat RHEL [32-Bit] 3.0 U5 AS/ES: v2.4.21-32.EL30, 97, 98, v2.4.21-32.EL30, 98; Red Hat RHEL [32-Bit] 3.0 U5+ AS/ES v2.4.21-32.0.1.EL30, 98	PCI, PCI-X	QLogic QLA200-E-SP26, 106	FC-AL, FC-SW	Intel SSR212PPf	N11, 47
45	HPQ Proliant: DL1459, DL380(G2)9, DL380(G3)9, DL3809, DL3859, DL580(G2)9, DL580(G3)9, DL5859, ML370(G3)9	Red Hat RHEL [32-Bit] 3.0 U5 AS/ES: v2.4.21-32.EL30, 97, 98, v2.4.21-32.EL30, 98; Red Hat RHEL [32-Bit] 3.0 U5+ AS/ES v2.4.21-32.0.1.EL30, 98	PCI, PCI-X	QLogic QLA200-E-SP26, 96, 106	FC-AL, FC-SW	Intel SSR212PPf	N11, 47
46	IBM xSeries x445 (8870)	Red Hat RHEL [32-Bit] 3.0 U5 AS/ES: v2.4.21-32.EL30, 97, 98, v2.4.21-32.EL30, 98; Red Hat RHEL [32-Bit] 3.0 U5+ AS/ES v2.4.21-32.0.1.EL30, 98	PCI, PCI-X	QLogic QLA2340-E-SP6, 100	FC-AL, FC-SW	Intel SSR212PPf	N11, 47
47	Dell PowerEdge: 1550, 2300, 2400, 2450, 2500, 255065, 4300, 4350, 4400, 6100, 6300, 6350, 6400, 6450, 8450; HPQ Proliant: DL3209, DL360(G2)9, DL3609, DL5809, ML350(G2)9, ML350(G3)9, ML3509, ML370(G2)9, ML3709, ML530(G2)9, ML530(G3)9, ML5309, ML5709, ML7509	Red Hat RHEL [32-Bit] 3.0 U7 AS/ES v2.4.21-40.EL30, 31	PCI	Emulex: LP101-E1, 13, 32, LP1050-E1, 3, 32, LP982-E1, 32	FC-AL, FC-SW	Intel SSR212PPf	Y
48	NEC Express 5800: 120Rd-1, 120Rf-2, 140Hd, 140Rc-4, 180Rd-4	Red Hat RHEL [32-Bit] 3.0 U7 AS/ES v2.4.21-40.EL30, 31	PCI	NEC N8190-120 (LP1050)1, 13, 23, 32	FC-AL, FC-SW	Intel SSR212PPf	Y
49	Unisys: ES3120, ES3120L, ES3140, ES3140L	Red Hat RHEL [32-Bit] 3.0 U7 AS/ES v2.4.21-40.EL30, 31	PCI	QLogic QLA2340-E-SP2, 6, 29	FC-AL, FC-SW	Intel SSR212PPf	Y
50	HPQ Proliant: DL3209, DL360(G2)9, DL3609, DL5809, ML350(G2)9, ML350(G3)9, ML3509, ML370(G2)9, ML3709, ML530(G2)9, ML530(G3)9, ML5309, ML5709, ML7509	Red Hat RHEL [32-Bit] 3.0 U7 AS/ES v2.4.21-40.EL30, 31	PCI	QLogic: QLA200-E-SP26, 29, QLA210-E-SP2, 26, 29, QLA2340-E-SP6, 29, QLE220-E-SP2, 83, 84, 85	FC-AL, FC-SW	Intel SSR212PPf	Y
51	Dell PowerEdge: 1800, 1850, 1950, 2800, 2850, 6800, 6850; Digital Henge INNO: HR-4850, HR-6850; Digital Henge Revo: JS1400, JS2400; IBM xSeries x336 (8837)12; LangChao: NC3000, NC3500, NF520; Lenovo SureServer: R650, T650; Samsung: ZSS150, ZSS230	Red Hat RHEL [32-Bit] 3.0 U7 AS/ES v2.4.21-40.EL30, 31	PCI Express	Emulex LP1050Ex-E1, 2, 13, 32; QLogic QLE2360-E-SP2, 14, 15, 29	FC-AL, FC-SW	Intel SSR212PPf	Y

Red Hat RHEL [32-Bit]

No.	Host System	Operating System	Host Bus	Host Bus Adapter	Topology	Storage Array	External Boot
52	Dell PowerEdge: 1800, 1850, 1950, 2800, 2850, 6800, 6850; Digital Henge INNO: HR-4850, HR-6850; Digital Henge Revo: JS1400, JS2400; HPQ Proliant: DL360(G4)9, DL380(G4)9, DL580(G3)9, ML350(G4)9, ML370(G4)9; LangChao: NC3000, NC3500, NF520; Lenovo SureServer: R650, T650; Samsung: ZSS150, ZSS230	Red Hat RHEL [32-Bit] 3.0 U7 AS/ES v2.4.21-40.EL30, 31	PCI Express	Emulex: LPe111-E1, 2, 25, 32, LPe1150-E1, 2, 17, 32	FC-AL, FC-SW	Intel SSR212PPf	Y
53	HPQ Proliant: DL360(G4)9, DL380(G4)9, DL580(G3)9, ML350(G4)9, ML370(G4)9	Red Hat RHEL [32-Bit] 3.0 U7 AS/ES v2.4.21-40.EL30, 31	PCI Express	HPQ A8002A/FC2142SR (LPe1150)1, 2, 27, 32	FC-AL, FC-SW	Intel SSR212PPf	Y
54	Dell PowerEdge: 1800, 1850, 1950, 2800, 2850, 6800, 6850; Digital Henge INNO: HR-4850, HR-6850; Digital Henge Revo: JS1400, JS2400; LangChao: NC3000, NC3500, NF520; Lenovo SureServer: R650, T650; Samsung: ZSS150, ZSS230	Red Hat RHEL [32-Bit] 3.0 U7 AS/ES v2.4.21-40.EL30, 31	PCI Express	QLogic QLE2460-E-SP2, 18, 29	FC-AL, FC-SW	Intel SSR212PPf	Y

Intel® Storage System SSR212PP-Series

Red Hat* Linux (32-Bit)

55	Dell PowerEdge: 2900, 2950, 6950; Digital Henge Revo: AS1500, AS1550, AS2500; Intel: SR1500/S5000PAL, SR2500/S5000PAL	Red Hat RHEL [32-Bit] 3.0 U7 AS/ES v2.4.21-40.EL30, 31	PCI Express, PCI-X	Emulex: LP101-E1, 2, 13, 32, LP1050-E1, 2, 3, 32, LP982-E1, 2, 32; QLogic: QLA200-E-SP2, 26, 37, QLA2340-E-SP2, 6, 29	FC-AL, FC-SW	Intel SSR212PP f	Y
56	HPQ Proliant ML350(G4)9	Red Hat RHEL [32-Bit] 3.0 U7 AS/ES v2.4.21-40.EL30, 31	PCI Express, PCI-X	Emulex: LP101-E1, 13, 32, LP1050-E1, 3, 32, LP982-E1, 32; HPQ: AB429A/FC1143 (QLA2460)2, 8, 29, AE369A/FC1243 (QLA2462)2, 8, 29; QLogic: QLA200-E-SP26, 29, QLA2340-E-SP6, 29, QLE220-E-SP2, 83, 84, 85	FC-AL, FC-SW	Intel SSR212PP f	Y
57	IBM xSeries: x3550 (7978), x3650 (7979)	Red Hat RHEL [32-Bit] 3.0 U7 AS/ES v2.4.21-40.EL30, 31	PCI Express, PCI-X	Emulex: LP1050-E1, 2, 3, 32, LP1050Ex-E1, 2, 13, 32; IBM: 24P0960 (QLA2340)2, 6, 16, 29, 24P8053 (QLA2342)2, 6, 29, 39M5894 (QLA2460)2, 18, 29, 39M5895 (QLA2462)2, 18, 29; QLogic: QLA2340-E-SP2, 6, 29, QLA2460-E-SP2, 18, 29, QLE2360-E-SP2, 14, 29, QLE2460-E-SP2, 18, 29	FC-AL, FC-SW	Intel SSR212PP f	Y66
58	Dell PowerEdge: 2900, 2950, 6950; Digital Henge Revo: AS1500, AS1550, AS2500; IBM eServer 326m (Model 7969); Intel: SR1500/S5000PAL, SR2500/S5000PAL	Red Hat RHEL [32-Bit] 3.0 U7 AS/ES v2.4.21-40.EL30, 31	PCI Express, PCI-X	Emulex: LP1050Ex-E1, 2, 13, 32, LPe111-E1, 2, 25, 32, LPe1150-E1, 2, 17, 32; QLogic: QLE2360-E-SP2, 14, 15, 29, QLE2460-E-SP2, 18, 29	FC-AL, FC-SW	Intel SSR212PP f	Y
59	Dell PowerEdge: 2900, 2950, 6950; Digital Henge Revo: AS1500, AS1550, AS2500; HPQ Proliant ML350(G4)9; Intel: SR1500/S5000PAL, SR2500/S5000PAL	Red Hat RHEL [32-Bit] 3.0 U7 AS/ES v2.4.21-40.EL30, 31	PCI Express, PCI-X	QLogic QLA210-E-SP2, 26, 29	FC-AL, FC-SW	Intel SSR212PP f	Y
60	Dell PowerEdge 1855; Unisys ES3105	Red Hat RHEL [32-Bit] 3.0 U7 AS/ES v2.4.21-40.EL30, 31	PCI-X	Dell 2342M6, 29	FC-AL, FC-SW	Intel SSR212PP f	Y
61	Dell PowerEdge 1855	Red Hat RHEL [32-Bit] 3.0 U7 AS/ES v2.4.21-40.EL30, 31	PCI-X	Dell: LPe1105-M1, 2, 17, 32, QME24622, 29, 53	FC-AL, FC-SW	Intel SSR212PP f	Y
62	Dell PowerEdge: 1800, 1850, 2600, 2650, 2850, 6800, 6850; Digital Henge INNO: HR-4850, HR-6850; Digital Henge SH4500R4; IBM xSeries: x336 (8837)12, x346 (8840)12; LangChao: NC2000, NC3000, NC3500, NF420, NF500, NF520; Lenovo SureServer R630: 6003, 6004; Lenovo SureServer: R650, T630 6003, T650; Samsung: SS210, SS370, ZSS150, ZSS230	Red Hat RHEL [32-Bit] 3.0 U7 AS/ES v2.4.21-40.EL30, 31	PCI-X	Emulex LP982-E1, 2, 32	FC-AL, FC-SW	Intel SSR212PP f	Y

Red Hat RHEL [32-Bit]

No.	Host System	Operating System	Host Bus	Host Bus Adapter	Topology	Storage Array	External Boot
63	Dell PowerEdge: 1800, 1850, 1950, 2600, 2650, 2850, 6800, 6850; Digital Henge INNO: HR-4850, HR-6850; Digital Henge SH4500R4; IBM xSeries: x336 (8837)12, x346 (8840)12; LangChao: NC2000, NC3000, NC3500, NF420, NF500, NF520; Lenovo SureServer R630: 6003, 6004; Lenovo SureServer: R650, T630 6003, T650; Samsung: SS210, SS370, ZSS150, ZSS230	Red Hat RHEL [32-Bit] 3.0 U7 AS/ES v2.4.21-40.EL30, 31	PCI-X	Emulex: LP101-E1, 2, 13, 32, LP1050-E1, 2, 3, 32; QLogic: QLA200-E-SP2, 26, 37, QLA2340-E-SP2, 6, 29	FC-AL, FC-SW	Intel SSR212PP f	Y
64	Dell PowerEdge: 1600SC, 1650, 1750, 4600, 6600, 6650; HPQ Proliant: BL40p, DL360(G3)9, DL360(G4)9, DL5609, DL7409, DL760 (G2)9, DL7609, ML570(G2)9	Red Hat RHEL [32-Bit] 3.0 U7 AS/ES v2.4.21-40.EL30, 31	PCI-X	Emulex: LP101-E1, 13, 32, LP1050-E1, 3, 32, LP982-E1, 32	FC-AL, FC-SW	Intel SSR212PP f	Y
65	HPQ Proliant BL460c: (416653-B21), (416654-B21), (416655-B21), (416656-B21), (432636-B21); HPQ Proliant BL480c: (416666-B21), (416667-B21), (416668-B21), (416669-B21)	Red Hat RHEL [32-Bit] 3.0 U7 AS/ES v2.4.21-40.EL30, 31	PCI-X	HPQ Emulex LPe1105-HP 4Gb FC HBA for HP c-Class Bladesystem (403621-B21)25, 28, 32	FC-AL, FC-SW	Intel SSR212PP f	Y10, 11
66	HPQ Proliant BL460c: (416653-B21), (416654-B21), (416655-B21), (416656-B21), (432636-B21);	Red Hat RHEL [32-Bit] 3.0 U7 AS/ES v2.4.21-40.EL30, 31	PCI-X	HPQ QLogic QMH2462 4Gb FC HBA for HP c-Class Bladesystem (403619-B21)24, 29	FC-AL, FC-SW	Intel SSR212PP f	N

	HPQ Proliant BL480c: (416666-B21), (416667-B21), (416668-B21), (416669-B21)						
67	HPQ Proliant DL360(G4)9	Red Hat RHEL [32-Bit] 3.0 U7 AS/ES v2.4.21-40.EL30, 31	PCI-X	HPQ: AB429A/FC1143 (QLA2460)2, 8, 29, AE369A/FC1243 (QLA2462)2, 8, 29	FC-AL, FC-SW	Intel SSR212PP f	Y
68	HPQ Proliant BL45p	Red Hat RHEL [32-Bit] 3.0 U7 AS/ES v2.4.21-40.EL30, 31	PCI-X	HPQ: Dual-port Fibre Channel Adapter for HP Proliant BL25p/BL45p 381881-B2129, 82, Emulex-based BL25/30/35/45p Fibre Channel Mezzanine HBA - 394588-B211, 32, 55, 56	FC-AL, FC-SW	Intel SSR212PP f	Y
69	NEC Express 5800: 120Lh, 120Re-1, 120RF-1, 120Rg-2, 120Rh-2, 140He, 140Rd-4	Red Hat RHEL [32-Bit] 3.0 U7 AS/ES v2.4.21-40.EL30, 31	PCI-X	NEC N8190-120 (LP1050)1, 13, 23, 32	FC-AL, FC-SW	Intel SSR212PP f	Y
70	NEC Express 5800: 140He, 140Rd-4	Red Hat RHEL [32-Bit] 3.0 U7 AS/ES v2.4.21-40.EL30, 31	PCI-X	NEC N8190-127 (LPe1150)1, 23, 27, 32	FC-AL, FC-SW	Intel SSR212PP f	Y
71	Dell PowerEdge: 1800, 1850, 2600, 2650, 2850, 4600, 6600, 6650, 6800, 6850; Digital Henge INNO: HR-4850, HR-6850; Digital Henge SH4500R4; HPQ Proliant: BL40p, DL360(G3)9, DL360(G4)9, DL5609, DL7409, DL760 (G2)9, DL7609, ML570(G2)9; IBM xSeries: x336 (8837)12, x346 (8840)12, x3850/x366 (8863)62, 63; LangChao: NC2000, NC3000, NC3500, NF420, NF500, NF520; Lenovo SureServer R630: 6003, 6004; Lenovo SureServer: R650, T630 6003, T650; Samsung: SS210, SS370, ZSS150, ZSS230	Red Hat RHEL [32-Bit] 3.0 U7 AS/ES v2.4.21-40.EL30, 31	PCI-X	QLogic QLA210-E-SP2, 26, 29	FC-AL, FC-SW	Intel SSR212PP f	Y
72	Digital Henge INNO: HR-4850, HR-6850; Digital Henge SH4500R4; HPQ Proliant: BL40p, DL360(G3)9, DL360(G4)9, DL5609, DL7409, DL760 (G2)9, DL7609, ML570(G2)9; IBM xSeries: x336 (8837)12, x346 (8840)12, x3850/x366 (8863)62, 63; LangChao: NC2000, NC3000, NC3500, NF420, NF500, NF520; Lenovo SureServer R630: 6003, 6004; Lenovo SureServer: R650, T630 6003, T650; Samsung: SS210, SS370, ZSS150, ZSS230	Red Hat RHEL [32-Bit] 3.0 U7 AS/ES v2.4.21-40.EL30, 31	PCI-X	QLogic QLE220-E-SP2, 83, 84, 85	FC-AL, FC-SW	Intel SSR212PP f	Y
73	Dell PowerEdge: 4600, 6600, 6650; HPQ Proliant: BL40p, DL360(G3)9, DL360(G4)9, DL5609, DL7409, DL760 (G2)9, DL7609, ML570(G2)9	Red Hat RHEL [32-Bit] 3.0 U7 AS/ES v2.4.21-40.EL30, 31	PCI-X	QLogic: QLA200-E-SP26, 29, QLA2340-E-SP6, 29	FC-AL, FC-SW	Intel SSR212PP f	Y

Red Hat RHEL [32-Bit]

No.	Host System	Operating System	Host Bus	Host Bus Adapter	Topology	Storage Array	External Boot
74	HPQ Proliant BL20p: (G3), (G4)	Red Hat RHEL [32-Bit] 3.0 U7 AS/ES v2.4.21-40.EL30, 31	PCI-X57	HPQ Emulex-based BL20p (G3) Fibre Channel Mezzanine HBA - 394757-B211, 32, 55, 56	FC-AL, FC-SW	Intel SSR212PP f	Y
75	HPQ Proliant BL30p	Red Hat RHEL [32-Bit] 3.0 U7 AS/ES v2.4.21-40.EL30, 31	PCI-X57	HPQ Emulex-based BL25/30/35/45p Fibre Channel Mezzanine HBA - 394588-B211, 32, 55, 56	FC-AL, FC-SW	Intel SSR212PP f	Y
76	IBM xSeries: x3800/x260 (8865)62, 63, x3950/x3950E/x460 (8872, 8874)62, 63	Red Hat RHEL [32-Bit] 3.0 U7 AS/ES v2.4.21-40.EL30, 31	PCI-X64	QLogic: QLA210-E-SP2, 26, 29, QLE220-E-SP2, 83, 84, 85	FC-AL, FC-SW	Intel SSR212PP f	Y
77	Digital Henge Rev0: JS1400, JS2400	Red Hat RHEL [32-Bit] 3.0 U7 AS/ES v2.4.21-40.EL30, 31	PCI-X70	Emulex: LP101-E1, 2, 13, 32, LP1050-E1, 2, 3, 32, LP982-E1, 2, 32; QLogic: QLA200-E-SP2, 26, 37, QLA210-E-SP2, 26, 29, QLA2340-E-SP2, 6, 29, QLE220-E-SP2, 83, 84, 85	FC-AL, FC-SW	Intel SSR212PP f	Y
78	Dell PowerEdge 1955	Red Hat RHEL [32-Bit] 3.0 U7 AS/ES v2.4.21-40.EL30, 31	PCI, PCI Express, PCI-X	Dell: LPe1105-M1, 2, 17, 32, QME24622, 29, 53	FC-AL, FC-SW	Intel SSR212PP f	Y
79	HPQ Proliant: DL380(G2)9, DL380(G3)9, DL380(G4)9, DL3809, DL580(G2)9, DL580(G3)9, ML370(G3)9, ML370(G4)9	Red Hat RHEL [32-Bit] 3.0 U7 AS/ES v2.4.21-40.EL30, 31	PCI, PCI-X	Emulex LP982-E1, 32	FC-AL, FC-SW	Intel SSR212PP f	Y
80	Dell PowerEdge 2800; Samsung: ES470, ES570, SS140	Red Hat RHEL [32-Bit] 3.0 U7 AS/ES v2.4.21-40.EL30, 31	PCI, PCI-X	Emulex: LP101-E1, 2, 13, 32, LP1050-E1, 2, 3, 32, LP982-E1, 2, 32; QLogic QLA200-E-SP2, 26, 37	FC-AL, FC-SW	Intel SSR212PP f	Y
81	HPQ Proliant: DL1459, DL380(G2)9, DL380(G3)9, DL380(G4)9, DL3809, DL3859, DL580(G2)9, DL580(G3)9, DL5859, ML370(G3)9, ML370(G4)9	Red Hat RHEL [32-Bit] 3.0 U7 AS/ES v2.4.21-40.EL30, 31	PCI, PCI-X	Emulex: LP101-E1, 13, 32, LP1050-E1, 3, 32; QLogic QLA200-E-SP26, 29	FC-AL, FC-SW	Intel SSR212PP f	Y

82	HPQ Proliant: DL380(G4)9, ML370(G4)9	Red Hat RHEL [32-Bit] 3.0 U7 AS/ES v2.4.21-40.EL30, 31	PCI, PCI-X	HPQ: AB429A/FC1143 (QLA2460)2, 8, 29, AE369A/FC1243 (QLA2462)2, 8, 29	FC-AL, FC-SW	Intel SSR212PPf	Y
83	Dell PowerEdge 2800; HPQ Proliant: DL1459, DL380(G2)9, DL380(G3)9, DL380(G4)9, DL3809, DL3859, DL580(G2)9, DL580(G3)9, DL5859, ML370(G3)9, ML370(G4)9; Samsung: ES470, ES570, SS140	Red Hat RHEL [32-Bit] 3.0 U7 AS/ES v2.4.21-40.EL30, 31	PCI, PCI-X	QLogic QLA210-E-SP2, 26, 29	FC-AL, FC-SW	Intel SSR212PPf	Y
84	Dell PowerEdge 2800; Fujitsu Siemens Primergy RX800 S2; Samsung: ES570, SS140	Red Hat RHEL [32-Bit] 3.0 U7 AS/ES v2.4.21-40.EL30, 31	PCI, PCI-X	QLogic QLA2340-E-SP2, 6, 29	FC-AL, FC-SW	Intel SSR212PPf	Y
85	Fujitsu Siemens Primergy RX800 S2; Samsung ES470	Red Hat RHEL [32-Bit] 3.0 U7 AS/ES v2.4.21-40.EL30, 31	PCI, PCI-X	QLogic QLA2340-E-SP2, 6, 37	FC-AL, FC-SW	Intel SSR212PPf	Y
86	Fujitsu Siemens Primergy RX800 S2; HPQ Proliant: DL380(G2)9, DL380(G3)9, DL380(G4)9, DL3809, DL580(G2)9, DL580(G3)9, ML370(G3)9, ML370(G4)9	Red Hat RHEL [32-Bit] 3.0 U7 AS/ES v2.4.21-40.EL30, 31	PCI, PCI-X	QLogic QLA2340-E-SP6, 29	FC-AL, FC-SW	Intel SSR212PPf	Y
87	HPQ Proliant: DL1459, DL380(G2)9, DL380(G3)9, DL380(G4)9, DL3809, DL3859, DL580(G2)9, DL580(G3)9, DL5859, ML370(G3)9, ML370(G4)9; Samsung: ES470, ES570, SS140	Red Hat RHEL [32-Bit] 3.0 U7 AS/ES v2.4.21-40.EL30, 31	PCI, PCI-X	QLogic QLE220-E-SP2, 83, 84, 85	FC-AL, FC-SW	Intel SSR212PPf	Y
88	Dell PowerEdge: 1550, 2300, 2400, 2450, 2500, 255065, 4300, 4350, 4400, 6100, 6300, 6350, 6400, 6450, 8450; HPQ Proliant: DL3209, DL360(G2)9, DL3609, DL5809, ML350(G2)9, ML350(G3)9, ML3509, ML370(G2)9, ML3709, ML530(G2)9, ML530(G3)9, ML5309, ML5709, ML7509	Red Hat RHEL [32-Bit] 3.0 U8 AS/ES v2.4.21-47.EL30, 31	PCI	Emulex: LP101-E1, 13, 38, LP1050-E1, 3, 38, LP982-E1, 38	FC-AL, FC-SW	Intel SSR212PPf	Y
89	NEC Express 5800: 120Rd-1, 120RF-2, 140Hd, 140Rc-4, 180Rd-4	Red Hat RHEL [32-Bit] 3.0 U8 AS/ES v2.4.21-47.EL30, 31	PCI	NEC N8190-120 (LP1050)1, 13, 23, 38	FC-AL, FC-SW	Intel SSR212PPf	Y
90	HPQ Proliant: DL3209, DL360(G2)9, DL3609, DL5809, ML350(G2)9, ML350(G3)9, ML3509, ML370(G2)9, ML3709, ML530(G2)9, ML530(G3)9, ML5309, ML5709, ML7509	Red Hat RHEL [32-Bit] 3.0 U8 AS/ES v2.4.21-47.EL30, 31	PCI	QLogic: QLA200-E-SP26, 44, QLA210-E-SP2, 26, 44, QLA2340-E-SP6, 44, QLE220-E-SP2, 84, 85	FC-AL, FC-SW	Intel SSR212PPf	Y
91	Dell PowerEdge: 1800, 1850, 1950, 2800, 2850, 6800, 6850; Digital Henge INNO: HR-4850, HR-6850; Digital Henge Revo: JS1400, JS2400; IBM xSeries x336 (8837)12; LangChao: NC3000, NC3500, NF520; Lenovo SureServer: R650, T650; Samsung: ZSS150, ZSS230	Red Hat RHEL [32-Bit] 3.0 U8 AS/ES v2.4.21-47.EL30, 31	PCI Express	Emulex LP1050Ex-E1, 2, 13, 38; QLogic QLE2360-E-SP2, 14, 15, 44	FC-AL, FC-SW	Intel SSR212PPf	Y
92	Dell PowerEdge: 1800, 1850, 1950, 2800, 2850, 6800, 6850; Digital Henge INNO: HR-4850, HR-6850; Digital Henge Revo: JS1400, JS2400; HPQ Proliant: DL360(G4)9, DL380(G4)9, DL580(G3)9, ML350(G4)9, ML370(G4)9; LangChao: NC3000, NC3500, NF520; Lenovo SureServer: R650, T650; Samsung: ZSS150, ZSS230	Red Hat RHEL [32-Bit] 3.0 U8 AS/ES v2.4.21-47.EL30, 31	PCI Express	Emulex: LPe111-E1, 2, 25, 38, LPe1150-E1, 2, 17, 38	FC-AL, FC-SW	Intel SSR212PPf	Y

Red Hat RHEL [32-Bit]

No.	Host System	Operating System	Host Bus	Host Bus Adapter	Topology	Storage Array	External Boot
93	HPQ Proliant: DL360(G4)9, DL380(G4)9, DL580(G3)9, ML350(G4)9, ML370(G4)9	Red Hat RHEL [32-Bit] 3.0 U8 AS/ES v2.4.21-47.EL30, 31	PCI Express	HPQ A8002A/FC2142SR (LPe1150)1, 2, 27, 38	FC-AL, FC-SW	Intel SSR212PPf	Y
94	HPQ Proliant BL465c: (403433-B21), (403434-B21), (407234-B21), (407235-B21)	Red Hat RHEL [32-Bit] 3.0 U8 AS/ES v2.4.21-47.EL30, 31	PCI Express	HPQ Emulex LPe1105-HP 4Gb FC HBA for HP c-Class Bladesystem (403621-B21)25, 28, 38	FC-AL, FC-SW	Intel SSR212PPf	Y10, 11
95	HPQ Proliant BL465c: (403433-B21), (403434-B21), (407234-B21), (407235-B21)	Red Hat RHEL [32-Bit] 3.0 U8 AS/ES v2.4.21-47.EL30, 31	PCI Express	HPQ QLogic QMH2462 4Gb FC HBA for HP c-Class Bladesystem (403619-B21)24, 44	FC-AL, FC-SW	Intel SSR212PPf	N
96	Dell PowerEdge: 1800, 1850, 1950, 2800, 2850, 6800, 6850; Digital Henge INNO: HR-4850, HR-6850; Digital Henge Revo: JS1400, JS2400; LangChao: NC3000, NC3500, NF520; Lenovo SureServer: R650, T650; Samsung: ZSS150, ZSS230	Red Hat RHEL [32-Bit] 3.0 U8 AS/ES v2.4.21-47.EL30, 31	PCI Express	QLogic QLE2460-E-SP2, 18, 44	FC-AL, FC-SW	Intel SSR212PPf	Y
97	Dell PowerEdge: 2900, 2950, 6950;	Red Hat RHEL [32-Bit] 3.0 U8 AS/ES v2.4.21-47.EL30, 31	PCI Express,	Emulex: LP101-E1, 2, 13, 38, LP1050-E1, 2, 3, 38, LP982-E1, 2,	FC-AL, FC-SW	Intel SSR212PP	Y

	Digital Henge Revo: AS1500, AS1550, AS2500; Intel: SR1500/S5000PAL, SR2500/S5000PAL		PCI-X	38; QLLogic: QLA200-E-SP2, 26, 44, QLA2340-E-SP2, 6, 44		f	
98	HPQ Proliant ML350(G4)9	Red Hat RHEL [32-Bit] 3.0 U8 AS/ES v2.4.21-47.EL30, 31	PCI Express, PCI-X	Emulex: LP101-E1, 13, 38, LP1050-E1, 3, 38, LP982-E1, 38; HPQ: AB429A/FC1143 (QLA2460)2, 8, 44, AE369A/FC1243 (QLA2462)2, 8, 44; QLLogic: QLA200-E-SP26, 44, QLA2340-E-SP6, 44, QLE220-E-SP2, 84, 85	FC-AL, FC-SW	Intel SSR212PP f	Y
99	IBM xSeries: x3550 (7978), x3650 (7979), x3755 (8877)	Red Hat RHEL [32-Bit] 3.0 U8 AS/ES v2.4.21-47.EL30, 31	PCI Express, PCI-X	Emulex: LP1050-E1, 2, 3, 38, LP1050Ex-E1, 2, 13, 38; IBM: 24P0960 (QLA2340)2, 6, 16, 44, 24P8053 (QLA2342)2, 6, 44, 39M5894 (QLA2460)2, 18, 44, 39M5895 (QLA2462)2, 18, 44; QLLogic: QLA2340-E-SP2, 6, 44, QLA2460-E-SP2, 18, 44, QLE2360-E-SP2, 14, 44, QLE2460-E-SP2, 18, 44	FC-AL, FC-SW	Intel SSR212PP f	Y66
100	Dell PowerEdge: 2900, 2950, 6950; Digital Henge Revo: AS1500, AS1550, AS2500; IBM eServer 326m (Model 7969); Intel: SR1500/S5000PAL, SR2500/S5000PAL	Red Hat RHEL [32-Bit] 3.0 U8 AS/ES v2.4.21-47.EL30, 31	PCI Express, PCI-X	Emulex: LP1050Ex-E1, 2, 13, 38, LPe111-E1, 2, 25, 38, LPe1150-E1, 2, 17, 38; QLLogic: QLE2360-E-SP2, 14, 15, 44, QLE2460-E-SP2, 18, 44	FC-AL, FC-SW	Intel SSR212PP f	Y
101	NEC Express 5800: 120Li, 120Rg-1, 120Ri-2, 140Hf, 140Re-4	Red Hat RHEL [32-Bit] 3.0 U8 AS/ES v2.4.21-47.EL30, 31	PCI Express, PCI-X	NEC: N8190-120 (LP1050)3, 23, 38, 79, N8190-127 (LPe1150)17, 23, 38, 79	FC-AL, FC-SW	Intel SSR212PP f	Y
102	Dell PowerEdge: 2900, 2950, 6950; Digital Henge Revo: AS1500, AS1550, AS2500; HPQ Proliant ML350(G4)9; Intel: SR1500/S5000PAL, SR2500/S5000PAL	Red Hat RHEL [32-Bit] 3.0 U8 AS/ES v2.4.21-47.EL30, 31	PCI Express, PCI-X	QLLogic QLA210-E-SP2, 26, 44	FC-AL, FC-SW	Intel SSR212PP f	Y
103	Dell PowerEdge 1855; Unisys ES3105	Red Hat RHEL [32-Bit] 3.0 U8 AS/ES v2.4.21-47.EL30, 31	PCI-X	Dell 2342M6, 44	FC-AL, FC-SW	Intel SSR212PP f	Y
104	Dell PowerEdge 1855	Red Hat RHEL [32-Bit] 3.0 U8 AS/ES v2.4.21-47.EL30, 31	PCI-X	Dell: LPe1105-M1, 2, 17, 38, QME24622, 44, 53	FC-AL, FC-SW	Intel SSR212PP f	Y
105	Dell PowerEdge: 1800, 1850, 2600, 2650, 2850, 6800, 6850; Digital Henge INNO: HR-4850, HR-6850; Digital Henge SH4500R4; IBM xSeries: x336 (8837)12, x346 (8840)12; LangChao: NC2000, NC3000, NC3500, NF420, NF500, NF520; Lenovo SureServer R630: 6003, 6004; Lenovo SureServer: R650, T630 6003, T650; Samsung: SS210, SS370, ZSS150, ZSS230	Red Hat RHEL [32-Bit] 3.0 U8 AS/ES v2.4.21-47.EL30, 31	PCI-X	Emulex LP982-E1, 2, 38	FC-AL, FC-SW	Intel SSR212PP f	Y
Red Hat RHEL [32-Bit]							
No.	Host System	Operating System	Host Bus	Host Bus Adapter	Topology	Storage Array	External Boot
106	Dell PowerEdge: 1800, 1850, 1950, 2600, 2650, 2850, 6800, 6850; Digital Henge INNO: HR-4850, HR-6850; Digital Henge SH4500R4; IBM xSeries: x336 (8837)12, x346 (8840)12; LangChao: NC2000, NC3000, NC3500, NF420, NF500, NF520; Lenovo SureServer R630: 6003, 6004; Lenovo SureServer: R650, T630 6003, T650; Samsung: SS210, SS370, ZSS150, ZSS230	Red Hat RHEL [32-Bit] 3.0 U8 AS/ES v2.4.21-47.EL30, 31	PCI-X	Emulex: LP101-E1, 2, 13, 38, LP1050-E1, 2, 3, 38; QLLogic: QLA200-E-SP2, 26, 44, QLA2340-E-SP2, 6, 44	FC-AL, FC-SW	Intel SSR212PP f	Y
107	Dell PowerEdge: 1600SC, 1650, 1750, 4600, 6600, 6650; HPQ Proliant: BL40p, DL360(G3)9, DL360(G4)9, DL5609, DL7409, DL760 (G2)9, DL7609, ML570(G2)9	Red Hat RHEL [32-Bit] 3.0 U8 AS/ES v2.4.21-47.EL30, 31	PCI-X	Emulex: LP101-E1, 13, 38, LP1050-E1, 3, 38, LP982-E1, 38	FC-AL, FC-SW	Intel SSR212PP f	Y

Intel® Storage System SSR212PP-Series

Red Hat* Linux (32-Bit)

108	HPQ Proliant BL460c: (416653-B21), (416654-B21), (416655-B21), (416656-B21), (432636-B21); HPQ Proliant BL480c: (416666-B21), (416667-B21), (416668-B21), (416669-B21)	Red Hat RHEL [32-Bit] 3.0 U8 AS/ES v2.4.21-47.EL30, 31	PCI-X	HPQ Emulex LPe1105-HP 4Gb FC HBA for HP c-Class Bladesystem (403621-B21)25, 28, 38	FC-AL, FC-SW	Intel SSR212PPf	Y10, 11
109	HPQ Proliant BL460c: (416653-B21), (416654-B21), (416655-B21), (416656-B21), (432636-B21); HPQ Proliant BL480c: (416666-B21), (416667-B21), (416668-B21), (416669-B21)	Red Hat RHEL [32-Bit] 3.0 U8 AS/ES v2.4.21-47.EL30, 31	PCI-X	HPQ QLogic QMH2462 4Gb FC HBA for HP c-Class Bladesystem (403619-B21)24, 44	FC-AL, FC-SW	Intel SSR212PPf	N
110	HPQ Proliant DL360(G4)9	Red Hat RHEL [32-Bit] 3.0 U8 AS/ES v2.4.21-47.EL30, 31	PCI-X	HPQ: AB429A/FC1143 (QLA2460)2, 8, 44, AE369A/FC1243 (QLA2462)2, 8, 44	FC-AL, FC-SW	Intel SSR212PPf	Y
111	HPQ Proliant BL45p	Red Hat RHEL [32-Bit] 3.0 U8 AS/ES v2.4.21-47.EL30, 31	PCI-X	HPQ: Dual-port Fibre Channel Adapter for HP Proliant BL25p/BL45p 381881-B2144, 82, Emulex-based BL25/30/35/45p Fibre Channel Mezzanine HBA - 394588-B211, 38, 55, 56	FC-AL, FC-SW	Intel SSR212PPf	Y
112	NEC Express 5800: 120Lh, 120Re-1, 120Rf-1, 120Rg-2, 120Rh-2, 140He, 140Rd-4	Red Hat RHEL [32-Bit] 3.0 U8 AS/ES v2.4.21-47.EL30, 31	PCI-X	NEC N8190-120 (LP1050)1, 13, 23, 38	FC-AL, FC-SW	Intel SSR212PPf	Y
113	NEC Express 5800: 140He, 140Rd-4	Red Hat RHEL [32-Bit] 3.0 U8 AS/ES v2.4.21-47.EL30, 31	PCI-X	NEC N8190-127 (LPe1150)1, 23, 27, 38	FC-AL, FC-SW	Intel SSR212PPf	Y
114	Dell PowerEdge: 1800, 1850, 2600, 2650, 2850, 4600, 6600, 6650, 6800, 6850; Digital Henge INNO: HR-4850, HR-6850; Digital Henge SH4500R4; HPQ Proliant: BL40p, DL360(G3)9, DL360(G4)9, DL5609, DL7409, DL760(G2)9, DL7609, ML570(G2)9; IBM xSeries: x336 (8837)12, x346 (8840)12, x3850/x366 (8863)62, 63; LangChao: NC2000, NC3000, NC3500, NF420, NF500, NF520; Lenovo SureServer R630: 6003, 6004; Lenovo SureServer: R650, T630 6003, T650; Samsung: SS210, SS370, ZSS150, ZSS230	Red Hat RHEL [32-Bit] 3.0 U8 AS/ES v2.4.21-47.EL30, 31	PCI-X	QLogic QLA210-E-SP2, 26, 44	FC-AL, FC-SW	Intel SSR212PPf	Y
115	Digital Henge INNO: HR-4850, HR-6850; Digital Henge SH4500R4; HPQ Proliant: BL40p, DL360(G3)9, DL360(G4)9, DL5609, DL7409, DL760(G2)9, DL7609, ML570(G2)9; IBM xSeries: x336 (8837)12, x346 (8840)12, x3850/x366 (8863)62, 63; LangChao: NC2000, NC3000, NC3500, NF420, NF500, NF520; Lenovo SureServer R630: 6003, 6004; Lenovo SureServer: R650, T630 6003, T650; Samsung: SS210, SS370, ZSS150, ZSS230	Red Hat RHEL [32-Bit] 3.0 U8 AS/ES v2.4.21-47.EL30, 31	PCI-X	QLogic QLE220-E-SP2, 84, 85	FC-AL, FC-SW	Intel SSR212PPf	Y
116	Dell PowerEdge: 4600, 6600, 6650; HPQ Proliant: BL40p, DL360(G3)9, DL360(G4)9, DL5609, DL7409, DL760(G2)9, DL7609, ML570(G2)9	Red Hat RHEL [32-Bit] 3.0 U8 AS/ES v2.4.21-47.EL30, 31	PCI-X	QLogic: QLA200-E-SP26, 44, QLA2340-E-SP6, 44	FC-AL, FC-SW	Intel SSR212PPf	Y

Red Hat RHEL [32-Bit]

No.	Host System	Operating System	Host Bus	Host Bus Adapter	Topology	Storage Array	External Boot
117	HPQ Proliant BL25p	Red Hat RHEL [32-Bit] 3.0 U8 AS/ES v2.4.21-47.EL30, 31	PCI-X57	HPQ Dual-port Fibre Channel Adapter for HP Proliant BL25p/BL45p 381881-B2144, 82	FC-AL, FC-SW	Intel SSR212PPf	Y
118	HPQ Proliant BL20p: (G3), (G4)	Red Hat RHEL [32-Bit] 3.0 U8 AS/ES v2.4.21-47.EL30, 31	PCI-X57	HPQ Emulex-based BL20p (G3) Fibre Channel Mezzanine HBA - 394757-B211, 38, 55, 56	FC-AL, FC-SW	Intel SSR212PPf	Y
119	HPQ Proliant BL30p	Red Hat RHEL [32-Bit] 3.0 U8 AS/ES v2.4.21-47.EL30, 31	PCI-X57	HPQ Emulex-based BL25/30/35/45p Fibre Channel Mezzanine HBA - 394588-B211, 38, 55, 56	FC-AL, FC-SW	Intel SSR212PPf	Y
120	IBM xSeries: x3800/x260 (8865)62, 63, x3950/x3950E/x460 (8872, 8874)62, 63	Red Hat RHEL [32-Bit] 3.0 U8 AS/ES v2.4.21-47.EL30, 31	PCI-X64	QLogic: QLA210-E-SP2, 26, 44, QLE220-E-SP2, 84, 85	FC-AL, FC-SW	Intel SSR212PPf	Y
121	Digital Henge Rev0: JS1400, JS2400	Red Hat RHEL [32-Bit] 3.0 U8 AS/ES v2.4.21-47.EL30, 31	PCI-X70	Emulex: LP101-E1, 2, 13, 38, LP1050-E1, 2, 3, 38, LP982-E1, 2, 38; QLogic: QLA200-E-SP2, 26, 44, QLA210-E-SP2, 26, 44, QLA2340-E-SP2, 6, 44, QLE220-E-SP2, 84, 85	FC-AL, FC-SW	Intel SSR212PPf	Y
122	Dell PowerEdge 1955	Red Hat RHEL [32-Bit] 3.0 U8 AS/ES v2.4.21-47.EL30, 31	PCI, PCI Express, PCI-X	Dell: LPe1105-M1, 2, 17, 38, QME24622, 44, 53	FC-AL, FC-SW	Intel SSR212PPf	Y

123	HPQ Proliant: DL380(G5), DL580(G4)	Red Hat RHEL [32-Bit] 3.0 U8 AS/ES v2.4.21-47.EL30, 31	PCI, PCI Express, PCI-X	Emulex: LP101-E1, 13, 38, LP1050-E1, 3, 38, LP982-E1, 38, LPe111-E1, 2, 25, 38, LPe1150-E1, 2, 17, 38; HPQ: A8002A/FC2142SR (LPe1150)1, 2, 27, 38, AE311A/FC1142SR (QLE2460)2, 18, 44, AE312A/FC1242SR (QLE2462)2, 18, 44; QLogic: QLA200-E-SP26, 44, QLA210-E-SP2, 26, 44, QLA2340-E-SP6, 44, QLE220-E-SP2, 84, 85	FC-AL, FC-SW	Intel SSR212PPf	Y
124	HPQ Proliant DL380(G5)	Red Hat RHEL [32-Bit] 3.0 U8 AS/ES v2.4.21-47.EL30, 31	PCI, PCI Express, PCI-X	HPQ: AB429A/FC1143 (QLA2460)2, 8, 44, AE369A/FC1243 (QLA2462)2, 8, 44	FC-AL, FC-SW	Intel SSR212PPf	Y
125	HPQ Proliant: DL380(G2)9, DL380(G3)9, DL380(G4)9, DL3809, DL580(G2)9, DL580(G3)9, ML370(G3)9, ML370(G4)9	Red Hat RHEL [32-Bit] 3.0 U8 AS/ES v2.4.21-47.EL30, 31	PCI, PCI-X	Emulex LP982-E1, 38; QLogic QLA2340-E-SP6, 44	FC-AL, FC-SW	Intel SSR212PPf	Y
126	Dell PowerEdge 2800; Samsung: ES470, ES570, SS140	Red Hat RHEL [32-Bit] 3.0 U8 AS/ES v2.4.21-47.EL30, 31	PCI, PCI-X	Emulex: LP101-E1, 2, 13, 38, LP1050-E1, 2, 3, 38, LP982-E1, 2, 38; QLogic: QLA200-E-SP2, 26, 44, QLA2340-E-SP2, 6, 44	FC-AL, FC-SW	Intel SSR212PPf	Y
127	HPQ Proliant: DL1459, DL380(G2)9, DL380(G3)9, DL380(G4)9, DL3809, DL3859, DL580(G2)9, DL580(G3)9, DL5859, ML370(G3)9, ML370(G4)9	Red Hat RHEL [32-Bit] 3.0 U8 AS/ES v2.4.21-47.EL30, 31	PCI, PCI-X	Emulex: LP101-E1, 13, 38, LP1050-E1, 3, 38; QLogic QLA200-E-SP26, 44	FC-AL, FC-SW	Intel SSR212PPf	Y
128	HPQ Proliant: DL380(G4)9, ML370(G4)9	Red Hat RHEL [32-Bit] 3.0 U8 AS/ES v2.4.21-47.EL30, 31	PCI, PCI-X	HPQ: AB429A/FC1143 (QLA2460)2, 8, 44, AE369A/FC1243 (QLA2462)2, 8, 44	FC-AL, FC-SW	Intel SSR212PPf	Y
129	Dell PowerEdge 2800; HPQ Proliant: DL1459, DL380(G2)9, DL380(G3)9, DL380(G4)9, DL3809, DL3859, DL580(G2)9, DL580(G3)9, DL5859, ML370(G3)9, ML370(G4)9; Samsung: ES470, ES570, SS140	Red Hat RHEL [32-Bit] 3.0 U8 AS/ES v2.4.21-47.EL30, 31	PCI, PCI-X	QLogic QLA210-E-SP2, 26, 44	FC-AL, FC-SW	Intel SSR212PPf	Y
130	HPQ Proliant: DL1459, DL380(G2)9, DL380(G3)9, DL380(G4)9, DL3809, DL3859, DL580(G2)9, DL580(G3)9, DL5859, ML370(G3)9, ML370(G4)9; Samsung: ES470, ES570, SS140	Red Hat RHEL [32-Bit] 3.0 U8 AS/ES v2.4.21-47.EL30, 31	PCI, PCI-X	QLogic QLE220-E-SP2, 84, 85	FC-AL, FC-SW	Intel SSR212PPf	Y
131	Dell PowerEdge: 1550, 2300, 2400, 2450, 2500, 255065, 4300, 4350, 4400, 6100, 6300, 6350, 6400, 6450, 8450; HPQ Proliant: DL3209, DL360(G2)9, DL3609, DL5809, ML350(G2)9, ML350(G3)9, ML3509, ML370(G2)9, ML3709, ML530(G2)9, ML530(G3)9, ML5309, ML5709, ML7509	Red Hat RHEL [32-Bit] 3.0: U6 AS/ES v2.4.21-37.EL, U6+ AS/ES v2.4.21-37.0.1.EL	PCI	Emulex: LP101-E1, 13, 54, LP1050-E1, 3, 54, LP982-E1, 54	FC-AL, FC-SW	Intel SSR212PPf	N11, 47
132	NEC Express 5800: 120Rd-1, 120Rf-2, 140Hd, 140Rc-4, 180Rd-4	Red Hat RHEL [32-Bit] 3.0: U6 AS/ES v2.4.21-37.EL, U6+ AS/ES v2.4.21-37.0.1.EL	PCI	NEC N8190-120 (LP1050)1, 13, 23, 80	FC-AL, FC-SW	Intel SSR212PPf	N11, 47
133	HPQ Proliant: DL3209, DL360(G2)9, DL3609, DL5809, ML350(G2)9, ML350(G3)9, ML3509, ML370(G2)9, ML3709, ML530(G2)9, ML530(G3)9, ML5309, ML5709, ML7509	Red Hat RHEL [32-Bit] 3.0: U6 AS/ES v2.4.21-37.EL, U6+ AS/ES v2.4.21-37.0.1.EL	PCI	QLogic: QLA200-E-SP26, 29, QLA210-E-SP2, 26, 29, QLA2340-E-SP6, 29	FC-AL, FC-SW	Intel SSR212PPf	N11, 47
134	Dell PowerEdge: 1800, 1850, 1950, 2800, 2850, 6800, 6850; Digital Henge INNO: HR-4850, HR-6850; Digital Henge Revo: JS1400, JS2400; IBM xSeries x336 (8837)12; LangChao: NC3000, NC3500, NF520; Lenovo SureServer: R650, T650; Samsung: ZSS150, ZSS230	Red Hat RHEL [32-Bit] 3.0: U6 AS/ES v2.4.21-37.EL, U6+ AS/ES v2.4.21-37.0.1.EL	PCI Express	Emulex LP1050Ex-E1, 2, 13, 54; QLogic QLE2360-E-SP2, 14, 15, 29	FC-AL, FC-SW	Intel SSR212PPf	Y11, 47
Red Hat RHEL [32-Bit]							
No.	Host System	Operating System	Host Bus	Host Bus Adapter	Topology	Storage Array	External Boot
135	Dell PowerEdge: 1800, 1850, 1950, 2800, 2850, 6800, 6850; Digital Henge INNO: HR-4850, HR-6850; Digital Henge Revo: JS1400, JS2400; HPQ Proliant: DL360(G4)9, DL380(G4)9, DL580(G3)9, ML350(G4)9, ML370(G4)9; LangChao: NC3000, NC3500, NF520; Lenovo SureServer: R650, T650; Samsung: ZSS150, ZSS230	Red Hat RHEL [32-Bit] 3.0: U6 AS/ES v2.4.21-37.EL, U6+ AS/ES v2.4.21-37.0.1.EL	PCI Express	Emulex: LPe111-E1, 2, 25, 54, LPe1150-E1, 2, 17, 54	FC-AL, FC-SW	Intel SSR212PPf	Y11, 47

136	HPQ Proliant: DL360(G4)9, DL380(G4)9, DL580(G3)9, ML350(G4)9, ML370(G4)9	Red Hat RHEL [32-Bit] 3.0: U6 AS/ES v2.4.21-37.EL, U6+ AS/ES v2.4.21-37.0.1.EL	PCI Express	HPQ A8002A/FC2142SR (LPe1150)1, 2, 27, 54	FC-AL, FC-SW	Intel SSR212PPf	Y11, 47
137	Dell PowerEdge: 1800, 1850, 1950, 2800, 2850, 6800, 6850; Digital Henge INNO: HR-4850, HR-6850; Digital Henge Revo: JS1400, JS2400; LangChao: NC3000, NC3500, NF520; Lenovo SureServer: R650, T650; Samsung: ZSS150, ZSS230	Red Hat RHEL [32-Bit] 3.0: U6 AS/ES v2.4.21-37.EL, U6+ AS/ES v2.4.21-37.0.1.EL	PCI Express	QLogic QLE2460-E-SP2, 18, 29	FC-AL, FC-SW	Intel SSR212PPf	Y11, 47
138	Dell PowerEdge: 2900, 2950	Red Hat RHEL [32-Bit] 3.0: U6 AS/ES v2.4.21-37.EL, U6+ AS/ES v2.4.21-37.0.1.EL	PCI Express, PCI-X	Emulex: LP101-E1, 2, 13, 54, LP1050-E1, 2, 3, 54, LP982-E1, 2, 54; QLogic: QLA200-E-SP2, 26, 37, QLA210-E-SP2, 26, 29, QLA2340-E-SP2, 6, 29	FC-AL, FC-SW	Intel SSR212PPf	Y11, 47
139	HPQ Proliant ML350(G4)9	Red Hat RHEL [32-Bit] 3.0: U6 AS/ES v2.4.21-37.EL, U6+ AS/ES v2.4.21-37.0.1.EL	PCI Express, PCI-X	Emulex: LP101-E1, 13, 54, LP1050-E1, 2, 3, 54, LP982-E1, 54; HPQ: AB429A/FC1143 (QLA2460)2, 8, 29, AE369A/FC1243 (QLA2462)2, 8, 29; QLogic: QLA200-E-SP26, 29, QLA210-E-SP2, 26, 29, QLA2340-E-SP6, 29	FC-AL, FC-SW	Intel SSR212PPf	N11, 47
140	Dell PowerEdge: 2900, 2950; IBM eServer 326m (Model 7969)	Red Hat RHEL [32-Bit] 3.0: U6 AS/ES v2.4.21-37.EL, U6+ AS/ES v2.4.21-37.0.1.EL	PCI Express, PCI-X	Emulex: LP1050Ex-E1, 2, 13, 54, LPe111-E1, 2, 25, 54, LPe1150-E1, 2, 17, 54; QLogic: QLE2360-E-SP2, 14, 15, 29, QLE2460-E-SP2, 18, 29	FC-AL, FC-SW	Intel SSR212PPf	Y11, 47
141	Dell PowerEdge 1855; Unisys ES3105	Red Hat RHEL [32-Bit] 3.0: U6 AS/ES v2.4.21-37.EL, U6+ AS/ES v2.4.21-37.0.1.EL	PCI-X	Dell 2342M6, 29	FC-AL, FC-SW	Intel SSR212PPf	N11, 47
142	Dell PowerEdge 1855	Red Hat RHEL [32-Bit] 3.0: U6 AS/ES v2.4.21-37.EL, U6+ AS/ES v2.4.21-37.0.1.EL	PCI-X	Dell: LPe1105-M1, 2, 17, 54, QME24622, 29, 53	FC-AL, FC-SW	Intel SSR212PPf	N11, 47
143	Dell PowerEdge: 1800, 1850, 2600, 2650, 2850, 6800, 6850; Digital Henge INNO: HR-4850, HR-6850; Digital Henge SH4500R4; IBM xSeries: x336 (8837)12, x346 (8840)12, x3850/x366 (8863)62, 63; LangChao: NC2000, NC3000, NC3500, NF420, NF500, NF520; Lenovo SureServer R630: 6003, 6004; Lenovo SureServer: R650, T630 6003, T650; Samsung: SS210, SS370, ZSS150, ZSS230	Red Hat RHEL [32-Bit] 3.0: U6 AS/ES v2.4.21-37.EL, U6+ AS/ES v2.4.21-37.0.1.EL	PCI-X	Emulex LP982-E1, 2, 54	FC-AL, FC-SW	Intel SSR212PPf	Y11, 47
144	Dell PowerEdge: 1800, 1850, 1950, 2600, 2650, 2850, 6800, 6850; Digital Henge INNO: HR-4850, HR-6850; Digital Henge SH4500R4; IBM xSeries: x336 (8837)12, x346 (8840)12, x3850/x366 (8863)62, 63; LangChao: NC2000, NC3000, NC3500, NF420, NF500, NF520; Lenovo SureServer R630: 6003, 6004; Lenovo SureServer: R650, T630 6003, T650; Samsung: SS210, SS370, ZSS150, ZSS230	Red Hat RHEL [32-Bit] 3.0: U6 AS/ES v2.4.21-37.EL, U6+ AS/ES v2.4.21-37.0.1.EL	PCI-X	Emulex: LP101-E1, 2, 13, 54, LP1050-E1, 2, 3, 54; QLogic: QLA200-E-SP2, 26, 37, QLA2340-E-SP2, 6, 29	FC-AL, FC-SW	Intel SSR212PPf	Y11, 47
145	Dell PowerEdge: 1600SC, 1650, 1750, 4600, 6600, 6650; HPQ Proliant: DL360(G3)9, DL360(G4)9, DL5609, DL7409, DL760 (G2)9, DL7609, ML570(G2)9	Red Hat RHEL [32-Bit] 3.0: U6 AS/ES v2.4.21-37.EL, U6+ AS/ES v2.4.21-37.0.1.EL	PCI-X	Emulex: LP101-E1, 13, 54, LP1050-E1, 3, 54, LP982-E1, 54	FC-AL, FC-SW	Intel SSR212PPf	N11, 47

Red Hat RHEL [32-Bit]

No.	Host System	Operating System	Host Bus	Host Bus Adapter	Topology	Storage Array	External Boot
146	HPQ Proliant BL40p	Red Hat RHEL [32-Bit] 3.0: U6 AS/ES v2.4.21-37.EL, U6+ AS/ES v2.4.21-37.0.1.EL	PCI-X	Emulex: LP101-E1, 13, 54, LP1050-E1, 3, 54, LP982-E1, 54; QLogic: QLA200-E-SP26, 29, QLA2340-E-SP6, 29	FC-AL, FC-SW	Intel SSR212PPf	Y11, 47
147	HPQ Proliant DL360(G4)9	Red Hat RHEL [32-Bit] 3.0: U6 AS/ES v2.4.21-37.EL, U6+ AS/ES v2.4.21-37.0.1.EL	PCI-X	HPQ: AB429A/FC1143 (QLA2460)2, 8, 29, AE369A/FC1243 (QLA2462)2, 8, 29	FC-AL, FC-SW	Intel SSR212PPf	N11, 47
148	HPQ Proliant BL45p	Red Hat RHEL [32-Bit] 3.0: U6 AS/ES v2.4.21-37.EL, U6+ AS/ES v2.4.21-37.0.1.EL	PCI-X	HPQ: Dual-port Fibre Channel Adapter for HP Proliant BL25p/BL45p 381881-B2129, 82, Emulex-based BL25/30/35/45p Fibre Channel Mezzanine HBA - 394588-B211, 54, 55,	FC-AL, FC-SW	Intel SSR212PPf	Y11, 47

								56
149	NEC Express 5800: 120Lh, 120Re-1, 120RF-1, 120Rg-2, 120Rh-2	Red Hat RHEL [32-Bit] 3.0: U6 AS/ES v2.4.21-37.EL, U6+ AS/ES v2.4.21-37.0.1.EL	PCI-X	NEC N8190-120 (LP1050)1, 13, 23, 80	FC-AL, FC-SW	Intel SSR212PP f	N11, 47	
150	NEC Express 5800: 140He, 140Rd-4	Red Hat RHEL [32-Bit] 3.0: U6 AS/ES v2.4.21-37.EL, U6+ AS/ES v2.4.21-37.0.1.EL	PCI-X	NEC: N8190-120 (LP1050)1, 13, 23, 54, N8190-127 (LPe1150)1, 23, 27, 54	FC-AL, FC-SW	Intel SSR212PP f	N11, 47	
151	Dell PowerEdge: 1800, 1850, 2600, 2650, 2850, 6800, 6850; Digital Henge INNO: HR-4850, HR-6850; Digital Henge SH4500R4; HPQ Proliant BL40p; IBM xSeries: x336 (8837)12, x346 (8840)12, x3850/x366 (8863)62, 63; LangChao: NC2000, NC3000, NC3500, NF420, NF500, NF520; Lenovo SureServer R630: 6003, 6004; Lenovo SureServer: R650, T630 6003, T650; Samsung: SS210, SS370, ZSS150, ZSS230	Red Hat RHEL [32-Bit] 3.0: U6 AS/ES v2.4.21-37.EL, U6+ AS/ES v2.4.21-37.0.1.EL	PCI-X	QLogic QLA210-E-SP2, 26, 29	FC-AL, FC-SW	Intel SSR212PP f	Y11, 47	
152	Dell PowerEdge: 4600, 6600, 6650; HPQ Proliant: DL360(G3)9, DL360(G4)9, DL5609, DL7409, DL760 (G2)9, DL7609, ML570(G2)9	Red Hat RHEL [32-Bit] 3.0: U6 AS/ES v2.4.21-37.EL, U6+ AS/ES v2.4.21-37.0.1.EL	PCI-X	QLogic: QLA200-E-SP26, 29, QLA210-E-SP2, 26, 29, QLA2340-E-SP6, 29	FC-AL, FC-SW	Intel SSR212PP f	N11, 47	
153	HPQ Proliant BL20p (G3)	Red Hat RHEL [32-Bit] 3.0: U6 AS/ES v2.4.21-37.EL, U6+ AS/ES v2.4.21-37.0.1.EL	PCI-X57	HPQ Emulex-based BL20p (G3) Fibre Channel Mezzanine HBA - 394757-B211, 54, 55, 56	FC-AL, FC-SW	Intel SSR212PP f	Y11, 47	
154	HPQ Proliant BL30p	Red Hat RHEL [32-Bit] 3.0: U6 AS/ES v2.4.21-37.EL, U6+ AS/ES v2.4.21-37.0.1.EL	PCI-X57	HPQ Emulex-based BL25/30/35/45p Fibre Channel Mezzanine HBA - 394588-B211, 54, 55, 56	FC-AL, FC-SW	Intel SSR212PP f	Y11, 47	
155	IBM xSeries: x3800/x260 (8865)62, 63, x3950/x3950E/x460 (8872, 8874)62, 63	Red Hat RHEL [32-Bit] 3.0: U6 AS/ES v2.4.21-37.EL, U6+ AS/ES v2.4.21-37.0.1.EL	PCI-X64	Emulex: LP101-E1, 2, 13, 54, LP1050-E1, 2, 3, 54, LP982-E1, 2, 54; QLogic: QLA200-E-SP2, 26, 37, QLA210-E-SP2, 26, 29, QLA2340-E-SP2, 6, 29	FC-AL, FC-SW	Intel SSR212PP f	Y11, 47	
156	Digital Henge Revo: JS1400, JS2400	Red Hat RHEL [32-Bit] 3.0: U6 AS/ES v2.4.21-37.EL, U6+ AS/ES v2.4.21-37.0.1.EL	PCI-X70	Emulex: LP101-E1, 2, 13, 54, LP1050-E1, 2, 3, 54, LP982-E1, 2, 54; QLogic: QLA200-E-SP2, 26, 37, QLA210-E-SP2, 26, 29, QLA2340-E-SP2, 6, 29	FC-AL, FC-SW	Intel SSR212PP f	Y11, 47	
157	Dell PowerEdge 1955	Red Hat RHEL [32-Bit] 3.0: U6 AS/ES v2.4.21-37.EL, U6+ AS/ES v2.4.21-37.0.1.EL	PCI, PCI Express, PCI-X	Dell: LPe1105-M1, 2, 17, 54, QME24622, 29, 53	FC-AL, FC-SW	Intel SSR212PP f	N11, 47	
158	HPQ Proliant: DL380(G2)9, DL380(G3)9, DL380(G4)9, DL3809, DL580(G2)9, DL580(G3)9, ML370(G3)9, ML370(G4)9	Red Hat RHEL [32-Bit] 3.0: U6 AS/ES v2.4.21-37.EL, U6+ AS/ES v2.4.21-37.0.1.EL	PCI, PCI-X	Emulex LP982-E1, 54; QLogic QLA2340-E-SP6, 29	FC-AL, FC-SW	Intel SSR212PP f	N11, 47	
159	Dell PowerEdge 2800; Samsung: ES470, ES570, SS140	Red Hat RHEL [32-Bit] 3.0: U6 AS/ES v2.4.21-37.EL, U6+ AS/ES v2.4.21-37.0.1.EL	PCI, PCI-X	Emulex: LP101-E1, 2, 13, 54, LP1050-E1, 2, 3, 54, LP982-E1, 2, 54; QLogic: QLA200-E-SP2, 26, 37, QLA210-E-SP2, 26, 29	FC-AL, FC-SW	Intel SSR212PP f	Y11, 47	
160	HPQ Proliant: DL1459, DL380(G2)9, DL380(G3)9, DL380(G4)9, DL3809, DL3859, DL580(G2)9, DL580(G3)9, DL5859, ML370(G3)9, ML370(G4)9	Red Hat RHEL [32-Bit] 3.0: U6 AS/ES v2.4.21-37.EL, U6+ AS/ES v2.4.21-37.0.1.EL	PCI, PCI-X	Emulex: LP101-E1, 13, 54, LP1050-E1, 3, 54; QLogic: QLA200-E-SP26, 29, QLA210-E-SP2, 26, 29	FC-AL, FC-SW	Intel SSR212PP f	N11, 47	
161	HPQ Proliant: DL380(G4)9, ML370(G4)9	Red Hat RHEL [32-Bit] 3.0: U6 AS/ES v2.4.21-37.EL, U6+ AS/ES v2.4.21-37.0.1.EL	PCI, PCI-X	HPQ: AB429A/FC1143 (QLA2460)2, 8, 29, AE369A/FC1243 (QLA2462)2, 8, 29	FC-AL, FC-SW	Intel SSR212PP f	N11, 47	
162	Dell PowerEdge 2800; Fujitsu Siemens Primergy RX800 S2; Samsung: ES570, SS140	Red Hat RHEL [32-Bit] 3.0: U6 AS/ES v2.4.21-37.EL, U6+ AS/ES v2.4.21-37.0.1.EL	PCI, PCI-X	QLogic QLA2340-E-SP2, 6, 29	FC-AL, FC-SW	Intel SSR212PP f	Y11, 47	
163	Fujitsu Siemens Primergy RX800 S2; Samsung ES470	Red Hat RHEL [32-Bit] 3.0: U6 AS/ES v2.4.21-37.EL, U6+ AS/ES v2.4.21-37.0.1.EL	PCI, PCI-X	QLogic QLA2340-E-SP2, 6, 37	FC-AL, FC-SW	Intel SSR212PP f	Y11, 47	
164	Fujitsu Siemens Primergy RX800 S2	Red Hat RHEL [32-Bit] 3.0: U6 AS/ES v2.4.21-37.EL, U6+ AS/ES v2.4.21-37.0.1.EL	PCI, PCI-X	QLogic QLA2340-E-SP6, 29	FC-AL, FC-SW	Intel SSR212PP f	Y	
Red Hat RHEL [32-Bit]								
No.	Host System	Operating System	Host Bus	Host Bus Adapter	Topology	Storage Array	External Boot	
165	HPQ Proliant BL25p	Red Hat RHEL [32-Bit] 3.0: U6 AS/ES v2.4.21-37.EL, U6+ AS/ES v2.4.21-37.0.1.EL, U7 AS/ES v2.4.21-40.EL30, 31	PCI-X57	HPQ Dual-port Fibre Channel Adapter for HP Proliant BL25p/BL45p 381881-B2129, 82	FC-AL, FC-SW	Intel SSR212PP f	Y	
166	Dell PowerEdge 1950	Red Hat RHEL [32-Bit] 3.0: U7 AS/ES v2.4.21-40.EL30, 31, U8 AS/ES v2.4.21-47.EL30, 31	PCI Express	QLogic QLE220-E-SP2, 45, 50	FC-AL, FC-SW	Intel SSR212PP f	Y	
167	Dell PowerEdge: 1850, 1900, 2850, 2900, 2950, 6800, 6850, 6950; Digital Henge Revo: AS1500, AS1550, AS2500;	Red Hat RHEL [32-Bit] 3.0: U7 AS/ES v2.4.21-40.EL30, 31, U8 AS/ES v2.4.21-47.EL30, 31	PCI Express, PCI-X	QLogic QLE220-E-SP2, 45, 50	FC-AL, FC-SW	Intel SSR212PP f	Y	

	Intel: SR1500/S5000PAL, SR2500/S5000PAL						
168	Dell PowerEdge: 1800, 2800	Red Hat RHEL [32-Bit] 3.0: U7 AS/ES v2.4.21-40.EL30, 31, U8 AS/ES v2.4.21-47.EL30, 31	PCI, PCI Express, PCI-X	QLogic QLE220-E-SP2, 45, 50	FC-AL, FC-SW	Intel SSR212PP f	Y
169	HPQ Proliant BL465c: (403433-B21), (403434-B21), (407234-B21), (407235-B21)	Red Hat RHEL [32-Bit] 4.0 AS/ES v2.6.9-5.0.5.EL81	PCI Express	HPQ Emulex LPe1105-HP 4Gb FC HBA for HP c-Class Bladesystem (403621-B21)4, 25, 28, 38	FC-AL, FC-SW	Intel SSR212PP f	Y10, 11
170	HPQ Proliant BL465c: (403433-B21), (403434-B21), (407234-B21), (407235-B21)	Red Hat RHEL [32-Bit] 4.0 AS/ES v2.6.9-5.0.5.EL81	PCI Express	HPQ Emulex LPe1105-HP 4Gb FC HBA for HP c-Class Bladesystem (403621-B21)4, 28, 34	FC-AL, FC-SW	Intel SSR212PP f	Y33
171	HPQ Proliant BL465c: (403433-B21), (403434-B21), (407234-B21), (407235-B21)	Red Hat RHEL [32-Bit] 4.0 AS/ES v2.6.9-5.0.5.EL81	PCI Express	HPQ QLogic QMH2462 4Gb FC HBA for HP c-Class Bladesystem (403619-B21)5, 24, 44	FC-AL, FC-SW	Intel SSR212PP f	N
172	HPQ Proliant BL465c: (403433-B21), (403434-B21), (407234-B21), (407235-B21)	Red Hat RHEL [32-Bit] 4.0 AS/ES v2.6.9-5.0.5.EL81	PCI Express	HPQ: Emulex LPe1105-HP 4Gb FC HBA for HP c-Class Bladesystem (403621-B21)4, 28, 34, QLogic QMH2462 4Gb FC HBA for HP c-Class Bladesystem (403619-B21)5, 24	FC-AL, FC-SW	Intel SSR212PP f	Y
173	Dell PowerEdge: 1550, 2300, 2400, 2450, 2500, 255065, 4300, 4350, 4400, 6100, 6300, 6350, 6400, 6450, 8450; HPQ Proliant: DL3209, DL360(G2)9, DL3609, DL380(G2)9, DL380(G3)9, DL3809, DL580(G2)9, DL5809, ML350(G2)9, ML350(G3)9, ML3509, ML370(G2)9, ML3709, ML530(G2)9, ML530(G3)9, ML5309, ML5709, ML7509	Red Hat RHEL [32-Bit] 4.0 U1 AS/ES v2.6.9-11.EL81	PCI	Emulex LP101-E1, 2, 13, 108; QLogic QLA200-E-SP2, 26, 91	FC-AL, FC-SW	Intel SSR212PP f	N11, 47
174	Dell PowerEdge: 1550, 2300, 2400, 2450, 2500, 255065, 4300, 4350, 4400, 6100, 6300, 6350, 6400, 6450, 8450	Red Hat RHEL [32-Bit] 4.0 U1 AS/ES v2.6.9-11.EL81	PCI	Emulex: LP1050-E1, 2, 3, 108, LP982-E1, 2, 108; QLogic QLA2340-E-SP2, 6, 91	FC-AL, FC-SW	Intel SSR212PP f	N11, 47
175	HPQ Proliant: DL3209, DL360(G2)9, DL3609, DL5809, ML350(G2)9, ML350(G3)9, ML3509, ML370(G2)9, ML3709, ML530(G2)9, ML530(G3)9, ML5309, ML5709, ML7509	Red Hat RHEL [32-Bit] 4.0 U1 AS/ES v2.6.9-11.EL81	PCI	Emulex: LP1050-E1, 3, 108, LP982-E1, 108	FC-AL, FC-SW	Intel SSR212PP f	N11, 47
176	HPQ Proliant: DL3209, DL360(G2)9, DL3609, DL380(G2)9, DL380(G3)9, DL3809, DL580(G2)9, DL5809, ML350(G2)9, ML350(G3)9, ML3509, ML370(G2)9, ML3709, ML530(G2)9, ML530(G3)9, ML5309, ML5709, ML7509	Red Hat RHEL [32-Bit] 4.0 U1 AS/ES v2.6.9-11.EL81	PCI	QLogic QLA2340-E-SP6, 91	FC-AL, FC-SW	Intel SSR212PP f	N11, 47
177	Dell PowerEdge: 1800, 1850, 2800, 2850, 6800, 6850; Digital Henge INNO: HR-4850, HR-6850; Digital Henge Rev0: JS1400, JS2400; IBM xSeries x336 (8837)12; LangChao: NC3000, NC3500, NF520; Lenovo SureServer: R650, T650; Samsung: ZSS150, ZSS230	Red Hat RHEL [32-Bit] 4.0 U1 AS/ES v2.6.9-11.EL81	PCI Express	Emulex LP1050Ex-E1, 2, 13, 108; QLogic QLE2360-E-SP2, 14, 15, 91	FC-AL, FC-SW	Intel SSR212PP f	Y11, 47
178	Dell PowerEdge 2850	Red Hat RHEL [32-Bit] 4.0 U1 AS/ES v2.6.9-11.EL81	PCI Express	QLogic QLA200-E-SP2, 21, 26, 91	FC-AL, FC-SW	Intel SSR212PP f	Y11, 47
179	HPQ Proliant ML350(G4)9	Red Hat RHEL [32-Bit] 4.0 U1 AS/ES v2.6.9-11.EL81	PCI Express, PCI-X	Emulex: LP101-E1, 2, 13, 108, LP1050-E1, 3, 108, LP982-E1, 108; QLogic: QLA200-E-SP2, 26, 91, QLA2340-E-SP6, 91	FC-AL, FC-SW	Intel SSR212PP f	N11, 47
180	Dell PowerEdge 1855	Red Hat RHEL [32-Bit] 4.0 U1 AS/ES v2.6.9-11.EL81	PCI-X	Dell 2342M6, 91	FC-AL, FC-SW	Intel SSR212PP f	N11, 47
181	Dell PowerEdge: 1600SC, 1650, 1750; HPQ Proliant: BL40p, DL360(G3)9, DL360(G4)9, DL5609, DL7409, DL760(G2)9, DL7609, ML570(G2)9	Red Hat RHEL [32-Bit] 4.0 U1 AS/ES v2.6.9-11.EL81	PCI-X	Emulex LP101-E1, 2, 13, 108	FC-AL, FC-SW	Intel SSR212PP f	N11, 47

Red Hat RHEL [32-Bit]

No.	Host System	Operating System	Host Bus	Host Bus Adapter	Topology	Storage Array	External Boot
182	Dell PowerEdge: 6800, 6850; Digital Henge INNO: HR-4850, HR-6850; Digital Henge SH4500R4; IBM xSeries: x255, x336 (8837)12, x346 (8840)12, x3850/x366 (8863)62, 63; LangChao: NC2000, NC3000, NC3500, NF420, NF500, NF520; Lenovo SureServer R630: 6003, 6004; Lenovo SureServer: R650, T630 6003, T650; Samsung: SS210, SS370, SS3840, ZSS150, ZSS230	Red Hat RHEL [32-Bit] 4.0 U1 AS/ES v2.6.9-11.EL81	PCI-X	Emulex LP101-E1, 2, 13, 108	FC-AL, FC-SW	Intel SSR212PP f	Y11, 47
183	Fujitsu Siemens Primergy: RX200 S2, RX300, RX300 S2, TX200 S2, TX300, TX300 S2	Red Hat RHEL [32-Bit] 4.0 U1 AS/ES v2.6.9-11.EL81	PCI-X	Emulex LP101-E1, 2, 72, 108	FC-AL, FC-SW	Intel SSR212PP f	N11, 47

184	Dell PowerEdge: 6600, 6650	Red Hat RHEL [32-Bit] 4.0 U1 AS/ES v2.6.9-11.EL81	PCI-X	Emulex: LP101-E1, 2, 13, 111, LP101-E1, 13, 111, LP1050-E1, 2, 3, 110, LP1050-E1, 3, 110, LP982-E1, 2, 110, LP982-E1, 110	FC-AL, FC-SW	Intel SSR212PPf	Y11, 47
185	Dell PowerEdge: 1600SC, 1650, 1750	Red Hat RHEL [32-Bit] 4.0 U1 AS/ES v2.6.9-11.EL81	PCI-X	Emulex: LP982-E1, 2, 108; QLLogic QLA2340-E-SP2, 6, 91	FC-AL, FC-SW	Intel SSR212PPf	N11, 47
186	Dell PowerEdge: 6800, 6850; Digital Henge INNO: HR-4850, HR-6850; Digital Henge SH4500R4; IBM xSeries: x255, x336 (8837)12, x346 (8840)12, x3850/x366 (8863)62, 63; LangChao: NC2000, NC3000, NC3500, NF420, NF500, NF520; Lenovo SureServer R630: 6003, 6004; Lenovo SureServer: R650, T630 6003, T650; Samsung: SS210, SS370, SS3840, ZSS150, ZSS230; Sun: V20z, V40z	Red Hat RHEL [32-Bit] 4.0 U1 AS/ES v2.6.9-11.EL81	PCI-X	Emulex: LP1050-E1, 2, 3, 108, LP982-E1, 2, 108; QLLogic QLA2340-E-SP2, 6, 91	FC-AL, FC-SW	Intel SSR212PPf	Y11, 47
187	HPQ Proliant: BL40p, DL360(G3)9 , DL360(G4)9, DL5609, DL760 (G2)9 , DL7609, ML570(G2)9	Red Hat RHEL [32-Bit] 4.0 U1 AS/ES v2.6.9-11.EL81	PCI-X	Emulex: LP1050-E1, 3, 108, LP982-E1, 108	FC-AL, FC-SW	Intel SSR212PPf	N11, 47
188	Dell PowerEdge: 1600SC, 1650, 1750, 6600, 6650; Fujitsu Siemens Primergy: RX200 S2, RX300, RX300 S2, TX200 S2, TX300, TX300 S2; HPQ Proliant: BL40p, DL360(G3)9 , DL360(G4)9, DL5609, DL7409, DL760 (G2)9, DL7609, ML570(G2)9	Red Hat RHEL [32-Bit] 4.0 U1 AS/ES v2.6.9-11.EL81	PCI-X	QLLogic QLA200-E-SP2, 26, 91	FC-AL, FC-SW	Intel SSR212PPf	N11, 47
189	Dell PowerEdge: 6600, 6650; Fujitsu Siemens Primergy: RX200 S2, RX300, RX300 S2, TX200 S2, TX300, TX300 S2; HPQ Proliant: BL40p, DL360(G3)9 , DL360(G4)9, DL5609, DL7409, DL760 (G2)9, DL7609, ML570(G2)9	Red Hat RHEL [32-Bit] 4.0 U1 AS/ES v2.6.9-11.EL81	PCI-X	QLLogic QLA2340-E-SP6, 91	FC-AL, FC-SW	Intel SSR212PPf	N11, 47
190	Dell PowerEdge: 6600, 6650	Red Hat RHEL [32-Bit] 4.0 U1 AS/ES v2.6.9-11.EL81	PCI-X	QLLogic: QLA200-E-SP26 , QLA2340-E-SP6	FC-AL, FC-SW	Intel SSR212PPf	N11, 47
191	IBM xSeries: x3800/x260 (8865)62, 63, x3950/x3950E/x460 (8872, 8874)62, 63	Red Hat RHEL [32-Bit] 4.0 U1 AS/ES v2.6.9-11.EL81	PCI-X64	Emulex: LP101-E1, 2, 13, 108, LP1050-E1, 2, 3, 108, LP982-E1, 2, 108; QLLogic QLA2340-E-SP2, 6, 91	FC-AL, FC-SW	Intel SSR212PPf	Y11, 47
192	Digital Henge Rev0: JS1400, JS2400	Red Hat RHEL [32-Bit] 4.0 U1 AS/ES v2.6.9-11.EL81	PCI-X70	Emulex: LP101-E1, 2, 13, 108, LP1050-E1, 2, 3, 108, LP982-E1, 2, 108; QLLogic QLA2340-E-SP2, 6, 91	FC-AL, FC-SW	Intel SSR212PPf	Y11, 47
193	Dell PowerEdge: 1800, 1850, 2600, 2650, 2800, 2850; IBM xSeries: x365, x440, x445 (8870); Samsung: ES470, ES570, SS140	Red Hat RHEL [32-Bit] 4.0 U1 AS/ES v2.6.9-11.EL81	PCI, PCI-X	Emulex LP101-E1, 2, 13, 108	FC-AL, FC-SW	Intel SSR212PPf	Y11, 47
194	HPQ Proliant: DL1459, DL380(G2)9, DL380(G3)9, DL380(G4)9, DL3809, DL3859 , DL580(G2)9, DL580(G3)9, DL5859 , ML370(G3)9, ML370(G4)9	Red Hat RHEL [32-Bit] 4.0 U1 AS/ES v2.6.9-11.EL81	PCI, PCI-X	Emulex: LP101-E1, 2, 13, 108, LP1050-E1, 3, 108, LP982-E1, 108; QLLogic QLA200-E-SP2, 26, 91	FC-AL, FC-SW	Intel SSR212PPf	N11, 47
195	Dell PowerEdge: 1800, 1850, 2600, 2650, 2800, 2850; IBM eServer: 325 (Model 8835), 326 (Model 8848); IBM xSeries: x365, x440, x445 (8870); Samsung: ES470, ES570, SS140	Red Hat RHEL [32-Bit] 4.0 U1 AS/ES v2.6.9-11.EL81	PCI, PCI-X	Emulex: LP1050-E1, 2, 3, 108, LP982-E1, 2, 108; QLLogic QLA2340-E-SP2, 6, 91	FC-AL, FC-SW	Intel SSR212PPf	Y11, 47
Red Hat RHEL [32-Bit]							
No.	Host System	Operating System	Host Bus	Host Bus Adapter	Topology	Storage Array	External Boot
196	IBM eServer: 325 (Model 8835), 326 (Model 8848)	Red Hat RHEL [32-Bit] 4.0 U1 AS/ES v2.6.9-11.EL81	PCI, PCI-X	IBM 24P0960 (QLA2340)2, 6, 16, 91	FC-AL, FC-SW	Intel SSR212PPf	Y11, 47
197	Dell PowerEdge 2850	Red Hat RHEL [32-Bit] 4.0 U1 AS/ES v2.6.9-11.EL81	PCI, PCI-X	QLLogic QLA200-E-SP2, 21, 26, 91	FC-AL, FC-SW	Intel SSR212PPf	Y11, 47
198	HPQ Proliant: DL1459, DL380(G4)9 , DL3859, DL580(G2)9, DL580(G3)9, DL5859 , ML370(G3)9, ML370(G4)9	Red Hat RHEL [32-Bit] 4.0 U1 AS/ES v2.6.9-11.EL81	PCI, PCI-X	QLLogic QLA2340-E-SP6, 91	FC-AL, FC-SW	Intel SSR212PPf	N11, 47

Intel® Storage System SSR212PP-Series

Red Hat* Linux (32-Bit)

199	Dell PowerEdge: 1550, 2300, 2400, 2450, 2500, 255065, 4300, 4350, 4400, 6100, 6300, 6350, 6400, 6450, 8450; HPQ Proliant: DL3209, DL360(G2)9, DL3609, DL380(G2)9, DL380(G3)9, DL3809, DL580(G2)9, DL5809, ML350(G2)9, ML350(G3)9, ML3509, ML370(G2)9, ML3709, ML530(G2)9, ML530(G3)9, ML5309, ML5709, ML7509	Red Hat RHEL [32-Bit] 4.0: U2 AS/ES v2.6.9-22.EL, U2+ AS/ES v2.6.9-22.0.1.EL, U2+ AS/ES v2.6.9-22.0.2.EL	PCI	Emulex LP101-E1, 2, 13, 51; QLogic: QLA200-E-SP2, 7, 26, QLA210-E-SP2, 7, 26	FC-AL, FC-SW	Intel SSR212PPf	Y10, 11
200	Fujitsu Siemens Primergy BX630: (2-way), (4-way)	Red Hat RHEL [32-Bit] 4.0: U2 AS/ES v2.6.9-22.EL, U2+ AS/ES v2.6.9-22.0.1.EL, U2+ AS/ES v2.6.9-22.0.2.EL	PCI	Emulex LP1050-E1, 2, 51, 72; Fujitsu Siemens BX600-FC22Q2, 6, 49	FC-AL, FC-SW	Intel SSR212PPf	Y
201	Dell PowerEdge: 1550, 2300, 2400, 2450, 2500, 255065, 4300, 4350, 4400, 6100, 6300, 6350, 6400, 6450, 8450	Red Hat RHEL [32-Bit] 4.0: U2 AS/ES v2.6.9-22.EL, U2+ AS/ES v2.6.9-22.0.1.EL, U2+ AS/ES v2.6.9-22.0.2.EL	PCI	Emulex: LP1050-E1, 2, 3, 51, LP982-E1, 2, 51; QLogic QLA2340-E-SP2, 6, 7	FC-AL, FC-SW	Intel SSR212PPf	Y10, 11
202	HPQ Proliant: DL3209, DL360(G2)9, DL3609, DL5809, ML350(G2)9, ML350(G3)9, ML3509, ML370(G2)9, ML3709, ML530(G2)9, ML530(G3)9, ML5309, ML5709, ML7509	Red Hat RHEL [32-Bit] 4.0: U2 AS/ES v2.6.9-22.EL, U2+ AS/ES v2.6.9-22.0.1.EL, U2+ AS/ES v2.6.9-22.0.2.EL	PCI	Emulex: LP1050-E1, 3, 51, LP982-E1, 51	FC-AL, FC-SW	Intel SSR212PPf	Y10, 11
203	NEC Express 5800: 120Rd-1, 120Rf-2, 140Hd, 140Rc-4, 180Rd-4	Red Hat RHEL [32-Bit] 4.0: U2 AS/ES v2.6.9-22.EL, U2+ AS/ES v2.6.9-22.0.1.EL, U2+ AS/ES v2.6.9-22.0.2.EL	PCI	NEC N8190-120 (LP1050)1, 13, 23, 51	FC-AL, FC-SW	Intel SSR212PPf	Y10, 11
204	HPQ Proliant: DL3209, DL360(G2)9, DL3609, DL380(G2)9, DL380(G3)9, DL3809, DL580(G2)9, DL5809, ML350(G2)9, ML350(G3)9, ML3509, ML370(G2)9, ML3709, ML530(G2)9, ML530(G3)9, ML5309, ML5709, ML7509	Red Hat RHEL [32-Bit] 4.0: U2 AS/ES v2.6.9-22.EL, U2+ AS/ES v2.6.9-22.0.1.EL, U2+ AS/ES v2.6.9-22.0.2.EL	PCI	QLogic QLA2340-E-SP6, 7	FC-AL, FC-SW	Intel SSR212PPf	Y10, 11
205	Unisys ES7000/460 [64-Bit]	Red Hat RHEL [32-Bit] 4.0: U2 AS/ES v2.6.9-22.EL, U2+ AS/ES v2.6.9-22.0.1.EL, U2+ AS/ES v2.6.9-22.0.2.EL	PCI	Unisys: FCH7440131-PCX (LP1150)1, 51, 71, FCH7440231-PCX (LP11002)1, 51, 71, FCH752313-PCX (LP1050)1, 13, 51	FC-AL, FC-SW	Intel SSR212PPf	Y10, 11
206	Dell PowerEdge: 1800, 2800, 2850, 6800, 6850; Digital Henge Rev0: JS1400, JS2400	Red Hat RHEL [32-Bit] 4.0: U2 AS/ES v2.6.9-22.EL, U2+ AS/ES v2.6.9-22.0.1.EL, U2+ AS/ES v2.6.9-22.0.2.EL	PCI Express	Emulex LP101-E1, 2, 13, 51; QLogic: QLA200-E-SP2, 7, 26, QLA210-E-SP2, 7, 26	FC-AL, FC-SW	Intel SSR212PPf	Y10, 11
207	Dell PowerEdge: 1800, 1850, 1950, 2800, 2850, 6800, 6850; Digital Henge Rev0: JS1400, JS2400; IBM xSeries x336 (8837)12; Lenovo SureServer: R650, T650; Samsung ZSS150	Red Hat RHEL [32-Bit] 4.0: U2 AS/ES v2.6.9-22.EL, U2+ AS/ES v2.6.9-22.0.1.EL, U2+ AS/ES v2.6.9-22.0.2.EL	PCI Express	Emulex LP1050Ex-E1, 2, 13, 51; QLogic QLE2360-E-SP2, 7, 14, 15	FC-AL, FC-SW	Intel SSR212PPf	Y10, 11
208	Dell PowerEdge: 1800, 1850, 1950, 2800, 2850, 6800, 6850; Digital Henge Rev0: JS1400, JS2400; HPQ Proliant: DL360(G4)9, DL380(G4)9, DL580(G3)9, ML350(G4)9, ML370(G4)9; Lenovo SureServer: R650, T650; Samsung ZSS150	Red Hat RHEL [32-Bit] 4.0: U2 AS/ES v2.6.9-22.EL, U2+ AS/ES v2.6.9-22.0.1.EL, U2+ AS/ES v2.6.9-22.0.2.EL	PCI Express	Emulex LPe111-E1, 2, 25, 51	FC-AL, FC-SW	Intel SSR212PPf	Y10, 11
209	Dell PowerEdge: 1800, 1850, 1950, 2800, 2850, 6800, 6850; HPQ Proliant: DL360(G4)9, DL380(G4)9, DL580(G3)9, ML350(G4)9, ML370(G4)9	Red Hat RHEL [32-Bit] 4.0: U2 AS/ES v2.6.9-22.EL, U2+ AS/ES v2.6.9-22.0.1.EL, U2+ AS/ES v2.6.9-22.0.2.EL	PCI Express	Emulex LPe1150-E1, 2, 17, 51	FC-AL, FC-SW	Intel SSR212PPf	Y10, 11
210	Digital Henge Rev0: JS1400, JS2400; Lenovo SureServer: R650, T650; Samsung ZSS150	Red Hat RHEL [32-Bit] 4.0: U2 AS/ES v2.6.9-22.EL, U2+ AS/ES v2.6.9-22.0.1.EL, U2+ AS/ES v2.6.9-22.0.2.EL	PCI Express	Emulex LPe1150-E1, 2, 17, 60	FC-AL, FC-SW	Intel SSR212PPf	Y10, 11
211	Dell PowerEdge: 1800, 2800, 2850	Red Hat RHEL [32-Bit] 4.0: U2 AS/ES v2.6.9-22.EL, U2+ AS/ES v2.6.9-22.0.1.EL, U2+ AS/ES v2.6.9-22.0.2.EL	PCI Express	Emulex: LP1050-E1, 2, 3, 51, LP982-E1, 2, 51; QLogic QLA2340-E-SP2, 6, 7	FC-AL, FC-SW	Intel SSR212PPf	Y10, 11
212	HPQ Proliant: DL360(G4)9, DL380(G4)9, DL580(G3)9, ML350(G4)9, ML370(G4)9	Red Hat RHEL [32-Bit] 4.0: U2 AS/ES v2.6.9-22.EL, U2+ AS/ES v2.6.9-22.0.1.EL, U2+ AS/ES v2.6.9-22.0.2.EL	PCI Express	HPQ A8002A/FC2142SR (LPe1150)1, 2, 27, 51	FC-AL, FC-SW	Intel SSR212PPf	Y10, 11
213	Dell PowerEdge: 1800, 1850, 1950, 2800, 2850, 6800, 6850; Digital Henge Rev0: JS1400, JS2400; Lenovo SureServer: R650, T650;	Red Hat RHEL [32-Bit] 4.0: U2 AS/ES v2.6.9-22.EL, U2+ AS/ES v2.6.9-22.0.1.EL, U2+ AS/ES v2.6.9-22.0.2.EL	PCI Express	QLogic QLE2460-E-SP2, 7, 18	FC-AL, FC-SW	Intel SSR212PPf	Y10, 11

Samsung ZSS150							
Red Hat RHEL [32-Bit]							
No.	Host System	Operating System	Host Bus	Host Bus Adapter	Topology	Storage Array	External Boot
214	Dell PowerEdge: 2900, 2950, 6800, 6850; HPQ Proliant ML350(G4)9	Red Hat RHEL [32-Bit] 4.0: U2 AS/ES v2.6.9-22.EL, U2+ AS/ES v2.6.9-22.0.1.EL, U2+ AS/ES v2.6.9-22.0.2.EL	PCI Express, PCI-X	Emulex LP101-E1, 2, 13, 51; QLogic: QLA200-E-SP2, 7, 26, QLA210-E-SP2, 7, 26	FC-AL, FC-SW	Intel SSR212PPf	Y10, 11
215	Dell PowerEdge: 2900, 2950, 6800, 6850	Red Hat RHEL [32-Bit] 4.0: U2 AS/ES v2.6.9-22.EL, U2+ AS/ES v2.6.9-22.0.1.EL, U2+ AS/ES v2.6.9-22.0.2.EL	PCI Express, PCI-X	Emulex: LP1050-E1, 2, 3, 51, LP982-E1, 2, 51; QLogic: QLA2340-E-SP2, 6, 7	FC-AL, FC-SW	Intel SSR212PPf	Y10, 11
216	HPQ Proliant ML350(G4)9	Red Hat RHEL [32-Bit] 4.0: U2 AS/ES v2.6.9-22.EL, U2+ AS/ES v2.6.9-22.0.1.EL, U2+ AS/ES v2.6.9-22.0.2.EL	PCI Express, PCI-X	Emulex: LP1050-E1, 3, 51, LP982-E1, 51; HPQ: AB429A/FC1143 (QLA2460)2, 7, 8, AE369A/FC1243 (QLA2462)2, 7, 8; QLogic QLA2340-E-SP6, 7	FC-AL, FC-SW	Intel SSR212PPf	Y10, 11
217	Dell PowerEdge: 2900, 2950; IBM eServer 326m (Model 7969)	Red Hat RHEL [32-Bit] 4.0: U2 AS/ES v2.6.9-22.EL, U2+ AS/ES v2.6.9-22.0.1.EL, U2+ AS/ES v2.6.9-22.0.2.EL	PCI Express, PCI-X	Emulex: LP1050Ex-E1, 2, 13, 51, LPe111-E1, 2, 25, 51, LPe1150-E1, 2, 17, 51; QLogic: QLE2360-E-SP2, 7, 14, 15, QLE2460-E-SP2, 7, 18	FC-AL, FC-SW	Intel SSR212PPf	Y10, 11
218	Fujitsu Siemens Primergy RX220	Red Hat RHEL [32-Bit] 4.0: U2 AS/ES v2.6.9-22.EL, U2+ AS/ES v2.6.9-22.0.1.EL, U2+ AS/ES v2.6.9-22.0.2.EL	PCI Express, PCI-X	Emulex: LP1050Ex-E1, 2, 72, 93, LPe1150-E1, 2, 51, 92	FC-AL, FC-SW	Intel SSR212PPf	Y
219	Digital Henge Revo: JS1400, JS2400	Red Hat RHEL [32-Bit] 4.0: U2 AS/ES v2.6.9-22.EL, U2+ AS/ES v2.6.9-22.0.1.EL, U2+ AS/ES v2.6.9-22.0.2.EL	PCI Express, PCI-X70	Emulex: LP101-E1, 2, 13, 51, LP1050-E1, 3, 51, LP982-E1, 51; QLogic: QLA200-E-SP2, 7, 26, QLA210-E-SP2, 7, 26, QLA2340-E-SP6, 7	FC-AL, FC-SW	Intel SSR212PPf	Y10, 11
220	Dell PowerEdge 1855	Red Hat RHEL [32-Bit] 4.0: U2 AS/ES v2.6.9-22.EL, U2+ AS/ES v2.6.9-22.0.1.EL, U2+ AS/ES v2.6.9-22.0.2.EL	PCI-X	Dell: 2342M6, 2342M6, 7, LPe1105-M1, 2, 17, 51, QME24622, 7, 53	FC-AL, FC-SW	Intel SSR212PPf	Y10, 11
221	Dell PowerEdge: 1600SC, 1650, 1750, 1850, 1950, 2600, 2650, 6600, 6650; Digital Henge SH4500R4; HPQ Proliant: BL40p, DL360(G3)9, DL360(G4)9, DL5609, DL7409, DL760(G2)9, DL7609, ML570(G2)9; LangChao NF420; Lenovo SureServer: R630 6004, T630 6003; Samsung: SS210, SS370, SS3840	Red Hat RHEL [32-Bit] 4.0: U2 AS/ES v2.6.9-22.EL, U2+ AS/ES v2.6.9-22.0.1.EL, U2+ AS/ES v2.6.9-22.0.2.EL	PCI-X	Emulex LP101-E1, 2, 13, 51; QLogic QLA200-E-SP2, 7, 26	FC-AL, FC-SW	Intel SSR212PPf	Y10, 11
222	Dell PowerEdge: 2600, 2650, 6600, 6650	Red Hat RHEL [32-Bit] 4.0: U2 AS/ES v2.6.9-22.EL, U2+ AS/ES v2.6.9-22.0.1.EL, U2+ AS/ES v2.6.9-22.0.2.EL	PCI-X	Emulex LP101-E1, 13, 51; QLogic QLA200-E-SP7, 26	FC-AL, FC-SW	Intel SSR212PPf	Y10, 11
223	Dell PowerEdge: 1600SC, 1650, 1750, 1850, 1950, 2600, 2650, 6600, 6650; Digital Henge SH4500R4; IBM xSeries: x255, x336 (8837)12, x346 (8840)12, x3850/x366 (8863)62, 63; LangChao: NC2000, NF420; Lenovo SureServer R630: 6003, 6004; Lenovo SureServer: R650, T630 6003, T650; Samsung: SS210, SS370, SS3840, ZSS150; Sun: V20z, V40z, x4100, x4200	Red Hat RHEL [32-Bit] 4.0: U2 AS/ES v2.6.9-22.EL, U2+ AS/ES v2.6.9-22.0.1.EL, U2+ AS/ES v2.6.9-22.0.2.EL	PCI-X	Emulex LP1050-E1, 2, 3, 51	FC-AL, FC-SW	Intel SSR212PPf	Y10, 11
224	Dell PowerEdge: 1600SC, 1650, 1750, 1850, 2600, 2650, 6600, 6650; Digital Henge SH4500R4; IBM xSeries: x255, x336 (8837)12, x346 (8840)12, x3850/x366 (8863)62, 63; LangChao: NC2000, NF420; Lenovo SureServer R630: 6003, 6004; Lenovo SureServer: R650, T630 6003, T650; Samsung: SS210, SS370, SS3840, ZSS150; Sun: V20z, V40z, x4100, x4200	Red Hat RHEL [32-Bit] 4.0: U2 AS/ES v2.6.9-22.EL, U2+ AS/ES v2.6.9-22.0.1.EL, U2+ AS/ES v2.6.9-22.0.2.EL	PCI-X	Emulex LP982-E1, 2, 51	FC-AL, FC-SW	Intel SSR212PPf	Y10, 11

Intel® Storage System SSR212PP-Series

Red Hat* Linux (32-Bit)

225	Dell PowerEdge: 2600, 2650, 6600, 6650; HPQ Proliant: BL40p, DL360(G3)9, DL360(G4)9, DL5609, DL760 (G2)9, DL7609, ML570(G2)9; Samsung: SS370, SS3840	Red Hat RHEL [32-Bit] 4.0: U2 AS/ES v2.6.9-22.EL, U2+ AS/ES v2.6.9-22.0.1.EL, U2+ AS/ES v2.6.9-22.0.2.EL	PCI-X	Emulex: LP1050-E1, 3, 51, LP982-E1, 51	FC-AL, FC-SW	Intel SSR212PPf	Y10, 11
226	HPQ Proliant DL360(G4)9	Red Hat RHEL [32-Bit] 4.0: U2 AS/ES v2.6.9-22.EL, U2+ AS/ES v2.6.9-22.0.1.EL, U2+ AS/ES v2.6.9-22.0.2.EL	PCI-X	HPQ: AB429A/FC1143 (QLA2460)2, 7, 8, AE369A/FC1243 (QLA2462)2, 7, 8	FC-AL, FC-SW	Intel SSR212PPf	Y10, 11
Red Hat RHEL [32-Bit]							
No.	Host System	Operating System	Host Bus	Host Bus Adapter	Topology	Storage Array	External Boot
227	NEC Express 5800: 120Lh, 120Re-1, 120Rf-1, 120Rg-2, 120Rh-2, 140He, 140Rd-4	Red Hat RHEL [32-Bit] 4.0: U2 AS/ES v2.6.9-22.EL, U2+ AS/ES v2.6.9-22.0.1.EL, U2+ AS/ES v2.6.9-22.0.2.EL	PCI-X	NEC N8190-120 (LP1050)1, 13, 23, 51	FC-AL, FC-SW	Intel SSR212PPf	Y10, 11
228	NEC Express 5800: 140He, 140Rd-4	Red Hat RHEL [32-Bit] 4.0: U2 AS/ES v2.6.9-22.EL, U2+ AS/ES v2.6.9-22.0.1.EL, U2+ AS/ES v2.6.9-22.0.2.EL	PCI-X	NEC N8190-127 (LPe1150)1, 23, 27, 51	FC-AL, FC-SW	Intel SSR212PPf	Y10, 11
229	Dell PowerEdge: 1600SC, 1650, 1750, 1850, 2600, 2650, 6600, 6650; Digital Henge SH4500R4; HPQ Proliant: BL40p, DL360(G3)9, DL360(G4)9, DL5609, DL7409, DL760 (G2)9, DL7609, ML570(G2)9; LangChao NF420; Lenovo SureServer: R630 6004, T630 6003; Samsung: SS210, SS370, SS3840	Red Hat RHEL [32-Bit] 4.0: U2 AS/ES v2.6.9-22.EL, U2+ AS/ES v2.6.9-22.0.1.EL, U2+ AS/ES v2.6.9-22.0.2.EL	PCI-X	QLogic QLA210-E-SP2, 7, 26	FC-AL, FC-SW	Intel SSR212PPf	Y10, 11
230	Dell PowerEdge: 1600SC, 1650, 1750, 1850, 1950; Digital Henge SH4500R4; IBM xSeries: x255, x336 (8837)12, x346 (8840)12, x3850/x366 (8863)62, 63; LangChao: NC2000, NF420; Lenovo SureServer R630: 6003, 6004; Lenovo SureServer: R650, T630 6003, T650; Samsung: SS210, SS370, SS3840, ZSS150; Sun: V20z, V40z, x4100, x4200	Red Hat RHEL [32-Bit] 4.0: U2 AS/ES v2.6.9-22.EL, U2+ AS/ES v2.6.9-22.0.1.EL, U2+ AS/ES v2.6.9-22.0.2.EL	PCI-X	QLogic QLA2340-E-SP2, 6, 7	FC-AL, FC-SW	Intel SSR212PPf	Y10, 11
231	Dell PowerEdge: 2600, 2650, 6600, 6650; Digital Henge SH4500R4; HPQ Proliant: BL40p, DL360(G3)9, DL360(G4)9, DL5609, DL7409, DL760 (G2)9, DL7609, ML570(G2)9; LangChao: NC2000, NF420; Lenovo SureServer: R630 6004, T630 6003; Samsung: SS210, SS370, SS3840	Red Hat RHEL [32-Bit] 4.0: U2 AS/ES v2.6.9-22.EL, U2+ AS/ES v2.6.9-22.0.1.EL, U2+ AS/ES v2.6.9-22.0.2.EL	PCI-X	QLogic QLA2340-E-SP6, 7	FC-AL, FC-SW	Intel SSR212PPf	Y10, 11
232	Sun: x4100, x4200	Red Hat RHEL [32-Bit] 4.0: U2 AS/ES v2.6.9-22.EL, U2+ AS/ES v2.6.9-22.0.1.EL, U2+ AS/ES v2.6.9-22.0.2.EL	PCI-X	QLogic QLA2460-E-SP2, 7, 18	FC-AL, FC-SW	Intel SSR212PPf	Y10, 11
233	Fujitsu Siemens Primergy: RX300 S2, TX200 S2, TX300 S2	Red Hat RHEL [32-Bit] 4.0: U2 AS/ES v2.6.9-22.EL, U2+ AS/ES v2.6.9-22.0.1.EL, U2+ AS/ES v2.6.9-22.0.2.EL	PCI-X	QLogic: QLA200-E-SP2, 7, 26, QLA210-E-SP2, 7, 26	FC-AL, FC-SW	Intel SSR212PPf	Y
234	IBM xSeries: x3800/x260 (8865)62, 63, x3950/x3950E/x460 (8872, 8874)62, 63	Red Hat RHEL [32-Bit] 4.0: U2 AS/ES v2.6.9-22.EL, U2+ AS/ES v2.6.9-22.0.1.EL, U2+ AS/ES v2.6.9-22.0.2.EL	PCI-X64	Emulex: LP1050-E1, 2, 3, 51, LP982-E1, 2, 51; QLogic QLA2340-E-SP2, 6, 7	FC-AL, FC-SW	Intel SSR212PPf	Y10, 11
235	Dell PowerEdge 1955	Red Hat RHEL [32-Bit] 4.0: U2 AS/ES v2.6.9-22.EL, U2+ AS/ES v2.6.9-22.0.1.EL, U2+ AS/ES v2.6.9-22.0.2.EL	PCI, PCI Express, PCI-X	Dell: LPe1105-M1, 2, 17, 51, QME24622, 7, 53	FC-AL, FC-SW	Intel SSR212PPf	Y10, 11
236	HPQ Proliant: DL1459, DL380(G2)9, DL380(G3)9, DL380(G4)9, DL3809, DL3859, DL580(G2)9, DL580(G3)9, DL5859, ML370(G3)9, ML370(G4)9; Samsung SS140	Red Hat RHEL [32-Bit] 4.0: U2 AS/ES v2.6.9-22.EL, U2+ AS/ES v2.6.9-22.0.1.EL, U2+ AS/ES v2.6.9-22.0.2.EL	PCI, PCI-X	Emulex LP101-E1, 2, 13, 51; QLogic: QLA200-E-SP2, 7, 26, QLA210-E-SP2, 7, 26	FC-AL, FC-SW	Intel SSR212PPf	Y10, 11
237	Fujitsu Siemens Primergy RX800 S2	Red Hat RHEL [32-Bit] 4.0: U2 AS/ES v2.6.9-22.EL, U2+ AS/ES v2.6.9-22.0.1.EL, U2+ AS/ES v2.6.9-22.0.2.EL	PCI, PCI-X	Emulex LP1050-E1, 2, 51, 72; QLogic: QLA2340-E-SP2, 6, 7, QLA2340-E-SP6, 7	FC-AL, FC-SW	Intel SSR212PPf	Y
238	Dell PowerEdge: 1800, 1850, 2800, 2850;	Red Hat RHEL [32-Bit] 4.0: U2 AS/ES v2.6.9-22.EL, U2+ AS/ES v2.6.9-22.0.1.EL, U2+ AS/ES v2.6.9-22.0.2.EL	PCI, PCI-X	Emulex: LP1050-E1, 2, 3, 51, LP982-E1, 2, 51;	FC-AL, FC-SW	Intel SSR212PPf	Y10, 11

	IBM eServer: 325 (Model 8835), 326 (Model 8848); IBM xSeries: x365, x440, x445 (8870); Samsung: ES470, ES570, SS140	v2.6.9-22.0.1.EL, U2+ AS/ES v2.6.9-22.0.2.EL		QLogic QLA2340-E-SP2, 6, 7			
239	HPQ Proliant: DL1459, DL380(G2)9, DL380(G3)9, DL380(G4)9, DL3809, DL3859, DL580(G2)9, DL580(G3)9, DL5859, ML370(G3)9, ML370(G4)9	Red Hat RHEL [32-Bit] 4.0: U2 AS/ES v2.6.9-22.EL, U2+ AS/ES v2.6.9-22.0.1.EL, U2+ AS/ES v2.6.9-22.0.2.EL	PCI, PCI-X	Emulex: LP1050-E1, 3, 51, LP982-E1, 51	FC-AL, FC-SW	Intel SSR212PPf	Y10, 11
240	HPQ Proliant: DL380(G4)9, DL3859, DL5859, ML370(G4)9	Red Hat RHEL [32-Bit] 4.0: U2 AS/ES v2.6.9-22.EL, U2+ AS/ES v2.6.9-22.0.1.EL, U2+ AS/ES v2.6.9-22.0.2.EL	PCI, PCI-X	HPQ: AB429A/FC1143 (QLA2460)2, 7, 8, AE369A/FC1243 (QLA2462)2, 7, 8	FC-AL, FC-SW	Intel SSR212PPf	Y10, 11
241	IBM eServer: 325 (Model 8835), 326 (Model 8848)	Red Hat RHEL [32-Bit] 4.0: U2 AS/ES v2.6.9-22.EL, U2+ AS/ES v2.6.9-22.0.1.EL, U2+ AS/ES v2.6.9-22.0.2.EL	PCI, PCI-X	IBM 24P0960 (QLA2340)2, 6, 7, 16	FC-AL, FC-SW	Intel SSR212PPf	Y10, 11
Red Hat RHEL [32-Bit]							
No.	Host System	Operating System	Host Bus	Host Bus Adapter	Topology	Storage Array	External Boot
242	HPQ Proliant: DL1459, DL380(G4)9, DL3859, DL580(G2)9, DL580(G3)9, DL5859, ML370(G3)9, ML370(G4)9; Samsung SS140	Red Hat RHEL [32-Bit] 4.0: U2 AS/ES v2.6.9-22.EL, U2+ AS/ES v2.6.9-22.0.1.EL, U2+ AS/ES v2.6.9-22.0.2.EL	PCI, PCI-X	QLogic QLA2340-E-SP6, 7	FC-AL, FC-SW	Intel SSR212PPf	Y10, 11
243	Fujitsu Siemens Primergy: RX300 S2, TX200 S2, TX300 S2	Red Hat RHEL [32-Bit] 4.0: U2 AS/ES v2.6.9-22.EL, U2+ AS/ES v2.6.9-22.0.1.EL, U2+ AS/ES v2.6.9-22.0.2.EL, U3 AS/ES v2.6.9-34.EL, U3+ AS/ES v2.6.9-34.0.1.EL, U3+ AS/ES v2.6.9-34.0.2.EL	PCI-X	Emulex LP101-E1, 2, 72; QLogic QLA2340-E-SP6	FC-AL, FC-SW	Intel SSR212PPf	Y
244	Digital Henge INNO: HR-4850, HR-6850; LangChao: NC3000, NC3500, NF500, NF520; Samsung ZSS230	Red Hat RHEL [32-Bit] 4.0: U2 AS/ES v2.6.9-22.EL, U2+ AS/ES v2.6.9-22.0.1.EL, U2+ AS/ES v2.6.9-22.0.2.EL	PCI Express	Emulex LP1050Ex-E1, 2, 13, 51; QLogic QLE2360-E-SP7, 14, 15	FC-AL, FC-SW	Intel SSR212PPf	Y10, 11
245	Samsung ZSS230	Red Hat RHEL [32-Bit] 4.0: U2 AS/ES v2.6.9-22.EL, U2+ AS/ES v2.6.9-22.0.1.EL, U2+ AS/ES v2.6.9-22.0.2.EL	PCI Express	Emulex: LP101-E1, 13, 51, LP1050-E1, 3, 51, LP982-E1, 2, 51, LP982-E1, 51; QLogic QLA2340-E-SP6, 7	FC-AL, FC-SW	Intel SSR212PPf	Y10, 11
246	Digital Henge INNO: HR-4850, HR-6850; LangChao: NC3000, NC3500, NF520; Samsung ZSS230	Red Hat RHEL [32-Bit] 4.0: U2 AS/ES v2.6.9-22.EL, U2+ AS/ES v2.6.9-22.0.1.EL, U2+ AS/ES v2.6.9-22.0.2.EL	PCI Express	Emulex: LPe111-E1, 2, 25, 51, LPe1150-E1, 2, 17, 60; QLogic: QLE2360-E-SP2, 7, 14, 15, QLE2460-E-SP2, 7, 18	FC-AL, FC-SW	Intel SSR212PPf	Y10, 11
247	LangChao: NC3000, NC3500, NF500, NF520; Samsung ZSS230	Red Hat RHEL [32-Bit] 4.0: U2 AS/ES v2.6.9-22.EL, U2+ AS/ES v2.6.9-22.0.1.EL, U2+ AS/ES v2.6.9-22.0.2.EL	PCI-X	Emulex LP1050-E1, 2, 3, 51; QLogic QLA2340-E-SP2, 6, 7	FC-AL, FC-SW	Intel SSR212PPf	Y10, 11
248	Digital Henge INNO: HR-4850, HR-6850; LangChao: NC3000, NC3500, NF500, NF520; Samsung ZSS230	Red Hat RHEL [32-Bit] 4.0: U2 AS/ES v2.6.9-22.EL, U2+ AS/ES v2.6.9-22.0.1.EL, U2+ AS/ES v2.6.9-22.0.2.EL	PCI-X	Emulex LP982-E1, 2, 51	FC-AL, FC-SW	Intel SSR212PPf	Y10, 11
249	Digital Henge INNO: HR-4850, HR-6850; LangChao: NC3000, NC3500, NF500, NF520	Red Hat RHEL [32-Bit] 4.0: U2 AS/ES v2.6.9-22.EL, U2+ AS/ES v2.6.9-22.0.1.EL, U2+ AS/ES v2.6.9-22.0.2.EL	PCI-X	Emulex: LP101-E1, 13, 51, LP1050-E1, 3, 51, LP982-E1, 51; QLogic QLA2340-E-SP6, 7	FC-AL, FC-SW	Intel SSR212PPf	Y10, 11
250	Dell PowerEdge: 1550, 2300, 2400, 2450, 2500, 255065, 4300, 4350, 4400, 6100, 6300, 6350, 6400, 6450, 8450; HPQ Proliant: DL3209, DL360(G2)9, DL3609, DL380(G2)9, DL380(G3)9, DL3809, DL580(G2)9, DL5809, ML350(G2)9, ML350(G3)9, ML3509, ML370(G2)9, ML3709, ML530(G2)9, ML530(G3)9, ML5309, ML5709, ML7509	Red Hat RHEL [32-Bit] 4.0: U3 AS/ES v2.6.9-34.EL, U3+ AS/ES v2.6.9-34.0.1.EL, U3+ AS/ES v2.6.9-34.0.2.EL	PCI	Emulex LP101-E1, 2, 13, 52; QLogic: QLA200-E-SP2, 26, 41, QLA210-E-SP2, 26, 41	FC-AL, FC-SW	Intel SSR212PPf	Y
251	Fujitsu Siemens Primergy BX630: (2-way), (4-way)	Red Hat RHEL [32-Bit] 4.0: U3 AS/ES v2.6.9-34.EL, U3+ AS/ES v2.6.9-34.0.1.EL, U3+ AS/ES v2.6.9-34.0.2.EL	PCI	Emulex LP1050-E1, 2, 52, 72	FC-AL, FC-SW	Intel SSR212PPf	Y
252	Dell PowerEdge: 1550, 2300, 2400, 2450, 2500, 255065, 4300, 4350, 4400, 6100, 6300, 6350, 6400, 6450, 8450	Red Hat RHEL [32-Bit] 4.0: U3 AS/ES v2.6.9-34.EL, U3+ AS/ES v2.6.9-34.0.1.EL, U3+ AS/ES v2.6.9-34.0.2.EL	PCI	Emulex: LP1050-E1, 2, 3, 52, LP982-E1, 2, 52; QLogic QLA2340-E-SP2, 6, 41	FC-AL, FC-SW	Intel SSR212PPf	Y
253	HPQ Proliant: DL3209, DL360(G2)9, DL3609, DL5809, ML350(G2)9, ML350(G3)9, ML3509, ML370(G2)9, ML3709, ML530(G2)9, ML530(G3)9, ML5309, ML5709, ML7509	Red Hat RHEL [32-Bit] 4.0: U3 AS/ES v2.6.9-34.EL, U3+ AS/ES v2.6.9-34.0.1.EL, U3+ AS/ES v2.6.9-34.0.2.EL	PCI	Emulex: LP1050-E1, 3, 52, LP982-E1, 52	FC-AL, FC-SW	Intel SSR212PPf	Y
254	Fujitsu Siemens Primergy: BX620 S3, BX630 (2-way), BX630 (4-way), BX630 (8-way)	Red Hat RHEL [32-Bit] 4.0: U3 AS/ES v2.6.9-34.EL, U3+ AS/ES v2.6.9-34.0.1.EL, U3+ AS/ES v2.6.9-34.0.2.EL	PCI	Fujitsu Siemens BX600-FC22Q2, 6, 41, 49	FC-AL, FC-SW	Intel SSR212PPf	Y

Intel® Storage System SSR212PP-Series

Red Hat* Linux (32-Bit)

255	NEC Express 5800: 120Rd-1, 120RF-2, 140HD, 140Rc-4, 180Rd-4	Red Hat RHEL [32-Bit] 4.0: U3 AS/ES v2.6.9-34.EL, U3+ AS/ES v2.6.9-34.0.1.EL, U3+ AS/ES v2.6.9-34.0.2.EL	PCI	NEC N8190-120 (LP1050)1, 13, 23, 52	FC-AL, FC-SW	Intel SSR212PPf	Y
256	HPQ Proliant: DL3209, DL360(G2)9, DL3609, DL380(G2)9, DL380(G3)9, DL3809, DL580(G2)9, DL5809, ML350(G2)9, ML350(G3)9, ML3509, ML370(G2)9, ML3709, ML530(G2)9, ML530(G3)9, ML5309, ML5709, ML7509	Red Hat RHEL [32-Bit] 4.0: U3 AS/ES v2.6.9-34.EL, U3+ AS/ES v2.6.9-34.0.1.EL, U3+ AS/ES v2.6.9-34.0.2.EL	PCI	QLogic: QLA2340-E-SP6, 41, QLE220-E-SP2, 45, 48, 83	FC-AL, FC-SW	Intel SSR212PPf	Y
257	Dell PowerEdge: 1800, 2800, 2850, 6800, 6850; Digital Henge Revo: JS1400, JS2400	Red Hat RHEL [32-Bit] 4.0: U3 AS/ES v2.6.9-34.EL, U3+ AS/ES v2.6.9-34.0.1.EL, U3+ AS/ES v2.6.9-34.0.2.EL	PCI Express	Emulex LP101-E1, 2, 13, 52; QLogic: QLA200-E-SP2, 26, 41, QLA210-E-SP2, 26, 41	FC-AL, FC-SW	Intel SSR212PPf	Y
258	Dell PowerEdge: 1800, 2800, 2850	Red Hat RHEL [32-Bit] 4.0: U3 AS/ES v2.6.9-34.EL, U3+ AS/ES v2.6.9-34.0.1.EL, U3+ AS/ES v2.6.9-34.0.2.EL	PCI Express	Emulex LP1050-E1, 2, 3, 52; QLogic QLA2340-E-SP2, 6, 41	FC-AL, FC-SW	Intel SSR212PPf	Y
259	Dell PowerEdge: 1800, 1850, 1950, 2800, 2850, 6800, 6850; Digital Henge INNO: HR-4850, HR-6850; Digital Henge Revo: JS1400, JS2400; IBM xSeries x336 (8837)12; LangChao: NC3000, NC3500, NF500, NF520; Lenovo SureServer: R650, T650; Samsung: ZSS150, ZSS230	Red Hat RHEL [32-Bit] 4.0: U3 AS/ES v2.6.9-34.EL, U3+ AS/ES v2.6.9-34.0.1.EL, U3+ AS/ES v2.6.9-34.0.2.EL	PCI Express	Emulex LP1050Ex-E1, 2, 13, 52	FC-AL, FC-SW	Intel SSR212PPf	Y

Red Hat RHEL [32-Bit]

No.	Host System	Operating System	Host Bus	Host Bus Adapter	Topology	Storage Array	External Boot
260	Dell PowerEdge: 1800, 2800, 2850; Samsung ZSS230	Red Hat RHEL [32-Bit] 4.0: U3 AS/ES v2.6.9-34.EL, U3+ AS/ES v2.6.9-34.0.1.EL, U3+ AS/ES v2.6.9-34.0.2.EL	PCI Express	Emulex LP982-E1, 2, 52	FC-AL, FC-SW	Intel SSR212PPf	Y
261	Samsung ZSS230	Red Hat RHEL [32-Bit] 4.0: U3 AS/ES v2.6.9-34.EL, U3+ AS/ES v2.6.9-34.0.1.EL, U3+ AS/ES v2.6.9-34.0.2.EL	PCI Express	Emulex: LP101-E1, 13, 52, LP1050-E1, 3, 52, LP982-E1, 52; QLogic QLA2340-E-SP6, 41	FC-AL, FC-SW	Intel SSR212PPf	Y
262	Dell PowerEdge: 1800, 1850, 1950, 2800, 2850, 6800, 6850; Digital Henge INNO: HR-4850, HR-6850; Digital Henge Revo: JS1400, JS2400; HPQ Proliant: DL360(G4)9, DL380(G4)9, DL580(G3)9, ML350(G4)9, ML370(G4)9; LangChao: NC3000, NC3500, NF520; Lenovo SureServer: R650, T650; Samsung: ZSS150, ZSS230	Red Hat RHEL [32-Bit] 4.0: U3 AS/ES v2.6.9-34.EL, U3+ AS/ES v2.6.9-34.0.1.EL, U3+ AS/ES v2.6.9-34.0.2.EL	PCI Express	Emulex: LPe111-E1, 2, 25, 52, LPe1150-E1, 2, 17, 52	FC-AL, FC-SW	Intel SSR212PPf	Y
263	HPQ Proliant: DL360(G4)9, DL380(G4)9, DL580(G3)9, ML350(G4)9, ML370(G4)9	Red Hat RHEL [32-Bit] 4.0: U3 AS/ES v2.6.9-34.EL, U3+ AS/ES v2.6.9-34.0.1.EL, U3+ AS/ES v2.6.9-34.0.2.EL	PCI Express	HPQ A8002A/FC2142SR (LPe1150)1, 2, 27, 52	FC-AL, FC-SW	Intel SSR212PPf	Y
264	Dell PowerEdge 1950	Red Hat RHEL [32-Bit] 4.0: U3 AS/ES v2.6.9-34.EL, U3+ AS/ES v2.6.9-34.0.1.EL, U3+ AS/ES v2.6.9-34.0.2.EL	PCI Express	QLogic QLE220-E-SP2, 45, 48	FC-AL, FC-SW	Intel SSR212PPf	Y
265	Digital Henge Revo: JS1400, JS2400	Red Hat RHEL [32-Bit] 4.0: U3 AS/ES v2.6.9-34.EL, U3+ AS/ES v2.6.9-34.0.1.EL, U3+ AS/ES v2.6.9-34.0.2.EL	PCI Express	QLogic QLE220-E-SP2, 45, 48, 83	FC-AL, FC-SW	Intel SSR212PPf	Y
266	Dell PowerEdge: 1800, 1850, 1950, 2800, 2850, 6800, 6850; Digital Henge INNO: HR-4850, HR-6850; Digital Henge Revo: JS1400, JS2400; IBM xSeries x336 (8837)12; LangChao: NC3000, NC3500, NF520; Lenovo SureServer: R650, T650; Samsung: ZSS150, ZSS230	Red Hat RHEL [32-Bit] 4.0: U3 AS/ES v2.6.9-34.EL, U3+ AS/ES v2.6.9-34.0.1.EL, U3+ AS/ES v2.6.9-34.0.2.EL	PCI Express	QLogic QLE2360-E-SP2, 14, 15, 41	FC-AL, FC-SW	Intel SSR212PPf	Y
267	Digital Henge INNO: HR-4850, HR-6850; LangChao: NC3000, NC3500, NF500, NF520; Samsung ZSS230	Red Hat RHEL [32-Bit] 4.0: U3 AS/ES v2.6.9-34.EL, U3+ AS/ES v2.6.9-34.0.1.EL, U3+ AS/ES v2.6.9-34.0.2.EL	PCI Express	QLogic QLE2360-E-SP14, 15, 41	FC-AL, FC-SW	Intel SSR212PPf	Y
268	Dell PowerEdge: 1800, 1850, 1950, 2800, 2850, 6800, 6850; Digital Henge INNO: HR-4850, HR-6850; Digital Henge Revo: JS1400, JS2400;	Red Hat RHEL [32-Bit] 4.0: U3 AS/ES v2.6.9-34.EL, U3+ AS/ES v2.6.9-34.0.1.EL, U3+ AS/ES v2.6.9-34.0.2.EL	PCI Express	QLogic QLE2460-E-SP2, 18, 41	FC-AL, FC-SW	Intel SSR212PPf	Y

	LangChao: NC3000, NC3500, NF520; Lenovo SureServer: R650, T650; Samsung: ZSS150, ZSS230						
269	Dell PowerEdge: 2900, 2950, 6800, 6850, 6950; Digital Henge Rev0: AS1500, AS1550, AS2500; HPQ Proliant ML350(G4)9; Intel: SR1500/S5000PAL, SR2500/S5000PAL	Red Hat RHEL [32-Bit] 4.0: U3 AS/ES v2.6.9-34.EL, U3+ AS/ES v2.6.9-34.0.1.EL, U3+ AS/ES v2.6.9-34.0.2.EL	PCI Express, PCI-X	Emulex LP101-E1, 2, 13, 52; QLogic: QLA200-E-SP2, 26, 41, QLA210-E-SP2, 26, 41	FC-AL, FC-SW	Intel SSR212PPf	Y
270	Dell PowerEdge: 2900, 2950, 6800, 6850, 6950; Digital Henge Rev0: AS1500, AS1550, AS2500; IBM xSeries: x3550 (7978), x3650 (7979); Intel: SR1500/S5000PAL, SR2500/S5000PAL	Red Hat RHEL [32-Bit] 4.0: U3 AS/ES v2.6.9-34.EL, U3+ AS/ES v2.6.9-34.0.1.EL, U3+ AS/ES v2.6.9-34.0.2.EL	PCI Express, PCI-X	Emulex LP1050-E1, 2, 3, 52	FC-AL, FC-SW	Intel SSR212PPf	Y
271	Dell PowerEdge: 2900, 2950, 6950; Digital Henge Rev0: AS1500, AS1550, AS2500; Fujitsu Siemens Primergy: RX600 S3, TX600 S3; IBM eServer 326m (Model 7969); Intel: SR1500/S5000PAL, SR2500/S5000PAL	Red Hat RHEL [32-Bit] 4.0: U3 AS/ES v2.6.9-34.EL, U3+ AS/ES v2.6.9-34.0.1.EL, U3+ AS/ES v2.6.9-34.0.2.EL	PCI Express, PCI-X	Emulex LP1050Ex-E1, 2, 13, 52	FC-AL, FC-SW	Intel SSR212PPf	Y
Red Hat RHEL [32-Bit]							
No.	Host System	Operating System	Host Bus	Host Bus Adapter	Topology	Storage Array	External Boot
272	Fujitsu Siemens Primergy RX220	Red Hat RHEL [32-Bit] 4.0: U3 AS/ES v2.6.9-34.EL, U3+ AS/ES v2.6.9-34.0.1.EL, U3+ AS/ES v2.6.9-34.0.2.EL	PCI Express, PCI-X	Emulex LP1050Ex-E1, 2, 52	FC-AL, FC-SW	Intel SSR212PPf	Y
273	Dell PowerEdge: 2900, 2950, 6800, 6850, 6950; Digital Henge Rev0: AS1500, AS1550, AS2500; Intel: SR1500/S5000PAL, SR2500/S5000PAL	Red Hat RHEL [32-Bit] 4.0: U3 AS/ES v2.6.9-34.EL, U3+ AS/ES v2.6.9-34.0.1.EL, U3+ AS/ES v2.6.9-34.0.2.EL	PCI Express, PCI-X	Emulex LP982-E1, 2, 52	FC-AL, FC-SW	Intel SSR212PPf	Y
274	Dell PowerEdge: 2900, 2950, 6950; Digital Henge Rev0: AS1500, AS1550, AS2500; IBM eServer 326m (Model 7969); Intel: SR1500/S5000PAL, SR2500/S5000PAL	Red Hat RHEL [32-Bit] 4.0: U3 AS/ES v2.6.9-34.EL, U3+ AS/ES v2.6.9-34.0.1.EL, U3+ AS/ES v2.6.9-34.0.2.EL	PCI Express, PCI-X	Emulex LPe111-E1, 2, 25, 52; QLogic: QLE2360-E-SP2, 14, 15, 41, QLE2460-E-SP2, 18, 41	FC-AL, FC-SW	Intel SSR212PPf	Y
275	Dell PowerEdge: 2900, 2950, 6950; Digital Henge Rev0: AS1500, AS1550, AS2500; Fujitsu Siemens Primergy: RX220, RX600 S3, TX600 S3; IBM eServer 326m (Model 7969); Intel: SR1500/S5000PAL, SR2500/S5000PAL	Red Hat RHEL [32-Bit] 4.0: U3 AS/ES v2.6.9-34.EL, U3+ AS/ES v2.6.9-34.0.1.EL, U3+ AS/ES v2.6.9-34.0.2.EL	PCI Express, PCI-X	Emulex LPe1150-E1, 2, 17, 52	FC-AL, FC-SW	Intel SSR212PPf	Y
276	HPQ Proliant ML350(G4)9	Red Hat RHEL [32-Bit] 4.0: U3 AS/ES v2.6.9-34.EL, U3+ AS/ES v2.6.9-34.0.1.EL, U3+ AS/ES v2.6.9-34.0.2.EL	PCI Express, PCI-X	Emulex: LP1050-E1, 3, 52, LP982-E1, 52; HPQ: AB429A/FC1143 (QLA2460)2, 8, 35, AE369A/FC1243 (QLA2462)2, 8, 36; QLogic QLE220-E-SP2, 45, 48, 83	FC-AL, FC-SW	Intel SSR212PPf	Y
277	IBM xSeries: x3550 (7978), x3650 (7979)	Red Hat RHEL [32-Bit] 4.0: U3 AS/ES v2.6.9-34.EL, U3+ AS/ES v2.6.9-34.0.1.EL, U3+ AS/ES v2.6.9-34.0.2.EL	PCI Express, PCI-X	IBM: 24P0960 (QLA2340)2, 6, 16, 41, 24P8053 (QLA2342)2, 6, 41, 39M5894 (QLA2460)2, 39M5895 (QLA2462)2; QLogic: QLA2460-E-SP2, 18, 41, QLE2360-E-SP2, 41, 74, QLE2460-E-SP2, 41, 73	FC-AL, FC-SW	Intel SSR212PPf	Y
278	NEC Express 5800: 120Li, 120Rg-1, 120Ri-2, 140Hf, 140Re-4	Red Hat RHEL [32-Bit] 4.0: U3 AS/ES v2.6.9-34.EL, U3+ AS/ES v2.6.9-34.0.1.EL, U3+ AS/ES v2.6.9-34.0.2.EL	PCI Express, PCI-X	NEC: N8190-120 (LP1050)3, 23, 79, 94, N8190-127 (LPe1150)17, 23, 79, 94	FC-AL, FC-SW	Intel SSR212PPf	Y
279	Dell PowerEdge: 2900, 2950, 6800, 6850, 6950; Digital Henge Rev0: AS1500, AS1550, AS2500;	Red Hat RHEL [32-Bit] 4.0: U3 AS/ES v2.6.9-34.EL, U3+ AS/ES v2.6.9-34.0.1.EL, U3+ AS/ES v2.6.9-34.0.2.EL	PCI Express, PCI-X	QLogic QLA2340-E-SP2, 6, 41	FC-AL, FC-SW	Intel SSR212PPf	Y

Intel® Storage System SSR212PP-Series

Red Hat* Linux (32-Bit)

	Fujitsu Siemens Primergy: RX220, RX600 S3, TX600 S3; IBM xSeries: x3550 (7978), x3650 (7979); Intel: SR1500/S5000PAL, SR2500/S5000PAL						
280	Fujitsu Siemens Primergy: RX220, RX600 S3, TX600 S3	Red Hat RHEL [32-Bit] 4.0: U3 AS/ES v2.6.9-34.EL, U3+ AS/ES v2.6.9-34.0.1.EL, U3+ AS/ES v2.6.9-34.0.2.EL	PCI Express, PCI-X	QLogic QLA2340-E-SP6	FC-AL, FC-SW	Intel SSR212PPf	Y
281	Fujitsu Siemens Primergy: RX220, RX600 S3, TX600 S3; HPQ Proliant ML350(G4)9	Red Hat RHEL [32-Bit] 4.0: U3 AS/ES v2.6.9-34.EL, U3+ AS/ES v2.6.9-34.0.1.EL, U3+ AS/ES v2.6.9-34.0.2.EL	PCI Express, PCI-X	QLogic QLA2340-E-SP6, 41	FC-AL, FC-SW	Intel SSR212PPf	Y
282	Dell PowerEdge: 1850, 1900, 2850, 2900, 2950, 6800, 6850, 6950; Digital Henge Revo: AS1500, AS1550, AS2500; Intel: SR1500/S5000PAL, SR2500/S5000PAL	Red Hat RHEL [32-Bit] 4.0: U3 AS/ES v2.6.9-34.EL, U3+ AS/ES v2.6.9-34.0.1.EL, U3+ AS/ES v2.6.9-34.0.2.EL	PCI Express, PCI-X	QLogic QLE220-E-SP2, 45, 48	FC-AL, FC-SW	Intel SSR212PPf	Y
283	Digital Henge Revo: JS1400, JS2400	Red Hat RHEL [32-Bit] 4.0: U3 AS/ES v2.6.9-34.EL, U3+ AS/ES v2.6.9-34.0.1.EL, U3+ AS/ES v2.6.9-34.0.2.EL	PCI Express, PCI-X70	Emulex: LP101-E1, 2, 13, 52, LP1050-E1, 3, 52, LP982-E1, 52; QLogic: QLA200-E-SP2, 26, 41, QLA210-E-SP2, 26, 41, QLA2340-E-SP6, 41, QLE220-E-SP2, 45, 48, 83	FC-AL, FC-SW	Intel SSR212PPf	Y
284	Dell PowerEdge 1855	Red Hat RHEL [32-Bit] 4.0: U3 AS/ES v2.6.9-34.EL, U3+ AS/ES v2.6.9-34.0.1.EL, U3+ AS/ES v2.6.9-34.0.2.EL	PCI-X	Dell: 2342M6, 41, LPe1105-M1, 2, 17, 52, QME24622, 41, 53	FC-AL, FC-SW	Intel SSR212PPf	Y
285	Dell PowerEdge: 1600SC, 1650, 1750, 1850, 1950, 2600, 2650, 6600, 6650; Digital Henge SH4500R4; HPQ Proliant: BL40p, DL360(G3)9, DL360(G4)9, DL5609, DL7409, DL760(G2)9, DL7609, ML570(G2)9; LangChao NF420; Lenovo SureServer: R630 6004, T630 6003; Samsung: SS210, SS370, SS3840	Red Hat RHEL [32-Bit] 4.0: U3 AS/ES v2.6.9-34.EL, U3+ AS/ES v2.6.9-34.0.1.EL, U3+ AS/ES v2.6.9-34.0.2.EL	PCI-X	Emulex LP101-E1, 2, 13, 52; QLogic QLA200-E-SP2, 26, 41	FC-AL, FC-SW	Intel SSR212PPf	Y

Red Hat RHEL [32-Bit]

No.	Host System	Operating System	Host Bus	Host Bus Adapter	Topology	Storage Array	External Boot
286	Dell PowerEdge: 2600, 2650, 6600, 6650; Digital Henge INNO: HR-4850, HR-6850; LangChao: NC3000, NC3500, NF500, NF520	Red Hat RHEL [32-Bit] 4.0: U3 AS/ES v2.6.9-34.EL, U3+ AS/ES v2.6.9-34.0.1.EL, U3+ AS/ES v2.6.9-34.0.2.EL	PCI-X	Emulex LP101-E1, 13, 52	FC-AL, FC-SW	Intel SSR212PPf	Y
287	Dell PowerEdge: 1600SC, 1650, 1750, 1850, 1950, 2600, 2650, 6600, 6650; Digital Henge SH4500R4; IBM xSeries: x255, x336 (8837)12, x346 (8840)12; LangChao: NC2000, NC3000, NC3500, NF420, NF500, NF520; Lenovo SureServer R630: 6003, 6004; Lenovo SureServer: R650, T630 6003, T650; Samsung: SS210, SS370, SS3840, ZSS150, ZSS230; Sun: V20z, V40z, x4100, x4200	Red Hat RHEL [32-Bit] 4.0: U3 AS/ES v2.6.9-34.EL, U3+ AS/ES v2.6.9-34.0.1.EL, U3+ AS/ES v2.6.9-34.0.2.EL	PCI-X	Emulex LP1050-E1, 2, 3, 52	FC-AL, FC-SW	Intel SSR212PPf	Y
288	Dell PowerEdge: 1600SC, 1650, 1750, 1850, 2600, 2650, 6600, 6650; Digital Henge INNO: HR-4850, HR-6850; Digital Henge SH4500R4; IBM xSeries: x255, x336 (8837)12, x346 (8840)12; LangChao: NC2000, NC3000, NC3500, NF420, NF500, NF520; Lenovo SureServer R630: 6003, 6004; Lenovo SureServer: R650, T630 6003, T650; Samsung: SS210, SS370, SS3840, ZSS150, ZSS230; Sun: V20z, V40z, x4100, x4200	Red Hat RHEL [32-Bit] 4.0: U3 AS/ES v2.6.9-34.EL, U3+ AS/ES v2.6.9-34.0.1.EL, U3+ AS/ES v2.6.9-34.0.2.EL	PCI-X	Emulex LP982-E1, 2, 52	FC-AL, FC-SW	Intel SSR212PPf	Y

289	Dell PowerEdge: 2600, 2650, 6600, 6650; Digital Henge INNO: HR-4850, HR-6850; HPQ Proliant: BL40p, DL360(G3)9 , DL360(G4)9, DL5609, DL760 (G2)9 , DL7609, ML570(G2)9; LangChao: NC3000, NC3500, NF500, NF520; Samsung: SS370, SS3840	Red Hat RHEL [32-Bit] 4.0: U3 AS/ES v2.6.9-34.EL, U3+ AS/ES v2.6.9-34.0.1.EL, U3+ AS/ES v2.6.9-34.0.2.EL	PCI-X	Emulex: LP1050-E1, 3, 52, LP982-E1, 52	FC-AL, FC-SW	Intel SSR212PPf	Y
290	HPQ Proliant BL460c: (416653-B21), (416654-B21), (416655-B21), (416656-B21), (432636-B21); HPQ Proliant BL480c: (416666-B21), (416667-B21), (416668-B21), (416669-B21)	Red Hat RHEL [32-Bit] 4.0: U3 AS/ES v2.6.9-34.EL, U3+ AS/ES v2.6.9-34.0.1.EL, U3+ AS/ES v2.6.9-34.0.2.EL	PCI-X	HPQ Emulex LPe1105-HP 4Gb FC HBA for HP c-Class Bladesystem: (403621-B21)28, 52, 105, (403621-B21)28, 52, 109	FC-AL, FC-SW	Intel SSR212PPf	Y10, 11
291	HPQ Proliant BL460c: (416653-B21), (416654-B21), (416655-B21), (416656-B21), (432636-B21); HPQ Proliant BL480c: (416666-B21), (416667-B21), (416668-B21), (416669-B21)	Red Hat RHEL [32-Bit] 4.0: U3 AS/ES v2.6.9-34.EL, U3+ AS/ES v2.6.9-34.0.1.EL, U3+ AS/ES v2.6.9-34.0.2.EL	PCI-X	HPQ QLogic QMH2462 4Gb FC HBA for HP c-Class Bladesystem (403619-B21)24, 36	FC-AL, FC-SW	Intel SSR212PPf	N
292	HPQ Proliant DL360(G4)9	Red Hat RHEL [32-Bit] 4.0: U3 AS/ES v2.6.9-34.EL, U3+ AS/ES v2.6.9-34.0.1.EL, U3+ AS/ES v2.6.9-34.0.2.EL	PCI-X	HPQ: AB429A/FC1143 (QLA2460)2, 8, 35, AE369A/FC1243 (QLA2462)2, 8, 36	FC-AL, FC-SW	Intel SSR212PPf	Y
293	NEC Express 5800: 120Lh, 120Re-1, 120Rf-1, 120Rg-2, 120Rh-2, 140He, 140Rd-4	Red Hat RHEL [32-Bit] 4.0: U3 AS/ES v2.6.9-34.EL, U3+ AS/ES v2.6.9-34.0.1.EL, U3+ AS/ES v2.6.9-34.0.2.EL	PCI-X	NEC N8190-120 (LP1050)1, 13, 23, 52	FC-AL, FC-SW	Intel SSR212PPf	Y
294	NEC Express 5800: 140He, 140Rd-4	Red Hat RHEL [32-Bit] 4.0: U3 AS/ES v2.6.9-34.EL, U3+ AS/ES v2.6.9-34.0.1.EL, U3+ AS/ES v2.6.9-34.0.2.EL	PCI-X	NEC N8190-127 (LPe1150)1, 23, 27, 52	FC-AL, FC-SW	Intel SSR212PPf	Y
295	Fujitsu Siemens Primergy: RX300 S2, TX200 S2, TX300 S2	Red Hat RHEL [32-Bit] 4.0: U3 AS/ES v2.6.9-34.EL, U3+ AS/ES v2.6.9-34.0.1.EL, U3+ AS/ES v2.6.9-34.0.2.EL	PCI-X	QLogic QLA200-E-SP2, 26	FC-AL, FC-SW	Intel SSR212PPf	Y
296	Dell PowerEdge: 2600, 2650, 6600, 6650	Red Hat RHEL [32-Bit] 4.0: U3 AS/ES v2.6.9-34.EL, U3+ AS/ES v2.6.9-34.0.1.EL, U3+ AS/ES v2.6.9-34.0.2.EL	PCI-X	QLogic QLA200-E-SP26, 41	FC-AL, FC-SW	Intel SSR212PPf	Y

Red Hat RHEL [32-Bit]

No.	Host System	Operating System	Host Bus	Host Bus Adapter	Topology	Storage Array	External Boot
297	Dell PowerEdge: 1600SC, 1650, 1750, 1850, 2600, 2650, 6600, 6650; Digital Henge SH4500R4; Fujitsu Siemens Primergy: RX300 S2, TX200 S2, TX300 S2; HPQ Proliant: BL40p, DL360(G3)9 , DL360(G4)9, DL5609, DL7409, DL760 (G2)9, DL7609, ML570(G2)9; LangChao NF420; Lenovo SureServer: R630 6004, T630 6003; Samsung: SS210, SS370, SS3840	Red Hat RHEL [32-Bit] 4.0: U3 AS/ES v2.6.9-34.EL, U3+ AS/ES v2.6.9-34.0.1.EL, U3+ AS/ES v2.6.9-34.0.2.EL	PCI-X	QLogic QLA210-E-SP2, 26, 41	FC-AL, FC-SW	Intel SSR212PPf	Y
298	Dell PowerEdge: 1600SC, 1650, 1750, 1850, 1950; Digital Henge SH4500R4; IBM xSeries: x255, x336 (8837)12, x346 (8840)12; LangChao: NC2000, NC3000, NC3500, NF420, NF500, NF520; Lenovo SureServer R630: 6003, 6004; Lenovo SureServer: R650, T630 6003, T650; Samsung: SS210, SS370, SS3840, ZSS150, ZSS230; Sun: V20z, V40z, x4100, x4200	Red Hat RHEL [32-Bit] 4.0: U3 AS/ES v2.6.9-34.EL, U3+ AS/ES v2.6.9-34.0.1.EL, U3+ AS/ES v2.6.9-34.0.2.EL	PCI-X	QLogic QLA2340-E-SP2, 6, 41	FC-AL, FC-SW	Intel SSR212PPf	Y
299	Dell PowerEdge: 2600, 2650, 6600, 6650; Digital Henge INNO: HR-4850, HR-6850; Digital Henge SH4500R4; HPQ Proliant: BL40p, DL360(G3)9 , DL360(G4)9, DL5609, DL7409, DL760 (G2)9, DL7609, ML570(G2)9; LangChao: NC2000, NC3000, NC3500, NF420, NF500, NF520; Lenovo SureServer: R630 6004, T630 6003; Samsung: SS210, SS370, SS3840	Red Hat RHEL [32-Bit] 4.0: U3 AS/ES v2.6.9-34.EL, U3+ AS/ES v2.6.9-34.0.1.EL, U3+ AS/ES v2.6.9-34.0.2.EL	PCI-X	QLogic QLA2340-E-SP6, 41	FC-AL, FC-SW	Intel SSR212PPf	Y

Intel® Storage System SSR212PP-Series

Red Hat* Linux (32-Bit)

300	Sun: x4100, x4200	Red Hat RHEL [32-Bit] 4.0: U3 AS/ES v2.6.9-34.EL, U3+ AS/ES v2.6.9-34.0.1.EL, U3+ AS/ES v2.6.9-34.0.2.EL	PCI-X	QLogic QLA2460-E-SP2, 18, 41	FC-AL, FC-SW	Intel SSR212PPf	Y
301	Digital Henge SH4500R4; Fujitsu Siemens Primergy: RX300 S2, TX200 S2, TX300 S2; HPQ Proliant: BL40p, DL360(G3)9, DL360(G4)9, DL5609, DL7409, DL760 (G2)9, DL7609, ML570(G2)9; LangChao NF420; Lenovo SureServer: R630 6004, T630 6003; Samsung: SS210, SS370, SS3840	Red Hat RHEL [32-Bit] 4.0: U3 AS/ES v2.6.9-34.EL, U3+ AS/ES v2.6.9-34.0.1.EL, U3+ AS/ES v2.6.9-34.0.2.EL	PCI-X	QLogic QLE220-E-SP2, 45, 48, 83	FC-AL, FC-SW	Intel SSR212PPf	Y
302	Dell PowerEdge 1955	Red Hat RHEL [32-Bit] 4.0: U3 AS/ES v2.6.9-34.EL, U3+ AS/ES v2.6.9-34.0.1.EL, U3+ AS/ES v2.6.9-34.0.2.EL	PCI, PCI Express, PCI-X	Dell: LPe1105-M1, 2, 17, 52, QME24622, 41, 53	FC-AL, FC-SW	Intel SSR212PPf	Y
303	Dell PowerEdge: 1800, 2800	Red Hat RHEL [32-Bit] 4.0: U3 AS/ES v2.6.9-34.EL, U3+ AS/ES v2.6.9-34.0.1.EL, U3+ AS/ES v2.6.9-34.0.2.EL	PCI, PCI Express, PCI-X	QLogic QLE220-E-SP2, 45, 48	FC-AL, FC-SW	Intel SSR212PPf	Y
304	HPQ Proliant: DL1459, DL380(G2)9, DL380(G3)9, DL380(G4)9, DL3809, DL3859, DL580(G2)9, DL580(G3)9, DL5859, ML370(G3)9, ML370(G4)9; Samsung SS140	Red Hat RHEL [32-Bit] 4.0: U3 AS/ES v2.6.9-34.EL, U3+ AS/ES v2.6.9-34.0.1.EL, U3+ AS/ES v2.6.9-34.0.2.EL	PCI, PCI-X	Emulex LP101-E1, 2, 13, 52; QLogic: QLA200-E-SP2, 26, 41, QLA210-E-SP2, 26, 41, QLE220-E-SP2, 45, 48, 83	FC-AL, FC-SW	Intel SSR212PPf	Y
305	Fujitsu Siemens Primergy RX800 S2	Red Hat RHEL [32-Bit] 4.0: U3 AS/ES v2.6.9-34.EL, U3+ AS/ES v2.6.9-34.0.1.EL, U3+ AS/ES v2.6.9-34.0.2.EL	PCI, PCI-X	Emulex LP1050-E1, 2, 52, 72	FC-AL, FC-SW	Intel SSR212PPf	Y
306	Dell PowerEdge: 1800, 1850, 2800, 2850; IBM eServer: 325 (Model 8835), 326 (Model 8848); IBM xSeries: x365, x440, x445 (8870); Samsung: ES470, ES570, SS140	Red Hat RHEL [32-Bit] 4.0: U3 AS/ES v2.6.9-34.EL, U3+ AS/ES v2.6.9-34.0.1.EL, U3+ AS/ES v2.6.9-34.0.2.EL	PCI, PCI-X	Emulex: LP1050-E1, 2, 3, 52, LP982-E1, 2, 52	FC-AL, FC-SW	Intel SSR212PPf	Y
307	HPQ Proliant: DL1459, DL380(G2)9, DL380(G3)9, DL380(G4)9, DL3809, DL3859, DL580(G2)9, DL580(G3)9, DL5859, ML370(G3)9, ML370(G4)9	Red Hat RHEL [32-Bit] 4.0: U3 AS/ES v2.6.9-34.0.1.EL, U3+ AS/ES v2.6.9-34.0.2.EL	PCI, PCI-X	Emulex: LP1050-E1, 3, 52, LP982-E1, 52	FC-AL, FC-SW	Intel SSR212PPf	Y
Red Hat RHEL [32-Bit]							
No.	Host System	Operating System	Host Bus	Host Bus Adapter	Topology	Storage Array	External Boot
308	HPQ Proliant: DL380(G4)9, DL3859, DL5859, ML370(G4)9	Red Hat RHEL [32-Bit] 4.0: U3 AS/ES v2.6.9-34.EL, U3+ AS/ES v2.6.9-34.0.1.EL, U3+ AS/ES v2.6.9-34.0.2.EL	PCI, PCI-X	HPQ: AB429A/FC1143 (QLA2460)2, 8, 35, AE369A/FC1243 (QLA2462)2, 8, 36	FC-AL, FC-SW	Intel SSR212PPf	Y
309	IBM eServer: 325 (Model 8835), 326 (Model 8848)	Red Hat RHEL [32-Bit] 4.0: U3 AS/ES v2.6.9-34.EL, U3+ AS/ES v2.6.9-34.0.1.EL, U3+ AS/ES v2.6.9-34.0.2.EL	PCI, PCI-X	IBM 24P0960 (QLA2340)2, 6, 16, 41	FC-AL, FC-SW	Intel SSR212PPf	Y
310	Dell PowerEdge: 1800, 1850, 2800, 2850; Fujitsu Siemens Primergy RX800 S2; IBM eServer: 325 (Model 8835), 326 (Model 8848); IBM xSeries: x365, x440, x445 (8870); Samsung: ES470, ES570, SS140	Red Hat RHEL [32-Bit] 4.0: U3 AS/ES v2.6.9-34.EL, U3+ AS/ES v2.6.9-34.0.1.EL, U3+ AS/ES v2.6.9-34.0.2.EL	PCI, PCI-X	QLogic QLA2340-E-SP2, 6, 41	FC-AL, FC-SW	Intel SSR212PPf	Y
311	Fujitsu Siemens Primergy RX800 S2; HPQ Proliant: DL1459, DL380(G4)9, DL3859, DL580(G2)9, DL580(G3)9, DL5859, ML370(G3)9, ML370(G4)9; Samsung SS140	Red Hat RHEL [32-Bit] 4.0: U3 AS/ES v2.6.9-34.EL, U3+ AS/ES v2.6.9-34.0.1.EL, U3+ AS/ES v2.6.9-34.0.2.EL	PCI, PCI-X	QLogic QLA2340-E-SP6, 41	FC-AL, FC-SW	Intel SSR212PPf	Y
312	Dell PowerEdge: 1550, 2300, 2400, 2450, 2500, 255065, 4300, 4350, 4400, 6100, 6300, 6350, 6400, 6450, 8450; HPQ Proliant: DL3209, DL360(G2)9, DL3609, DL380(G2)9, DL380(G3)9, DL3809, DL580(G2)9, DL5809, ML350(G2)9, ML350(G3)9, ML3509, ML370(G2)9, ML3709, ML530(G2)9, ML530(G3)9, ML5309, ML5709, ML7509	Red Hat RHEL [32-Bit] 4.0: U4 AS/ES v2.6.9-42.EL, U4+ AS/ES v2.6.9-42.0.2.EL	PCI	Emulex LP101-E1, 2, 4, 13; QLogic: QLA200-E-SP2, 5, 26, QLA210-E-SP2, 5, 26	FC-AL, FC-SW	Intel SSR212PPf	Y
313	Dell PowerEdge: 1550, 2300, 2400, 2450, 2500, 255065, 4300, 4350, 4400, 6100, 6300, 6350, 6400, 6450, 8450	Red Hat RHEL [32-Bit] 4.0: U4 AS/ES v2.6.9-42.EL, U4+ AS/ES v2.6.9-42.0.2.EL	PCI	Emulex: LP1050-E1, 2, 3, 4, LP982-E1, 2, 4; QLogic: QLA2340-E-SP2, 5, 6	FC-AL, FC-SW	Intel SSR212PPf	Y
314	HPQ Proliant: DL3209, DL360(G2)9, DL3609, DL5809, ML350(G2)9, ML350(G3)9, ML3509, ML370(G2)9, ML3709, ML530(G2)9, ML530(G3)9, ML5309, ML5709, ML7509	Red Hat RHEL [32-Bit] 4.0: U4 AS/ES v2.6.9-42.EL, U4+ AS/ES v2.6.9-42.0.2.EL	PCI	Emulex: LP1050-E1, 3, 4, LP982-E1, 4	FC-AL, FC-SW	Intel SSR212PPf	Y
315	NEC Express 5800: 120Rd-1, 120Rf-2, 140Hd, 140Rc-4, 180Rd-4	Red Hat RHEL [32-Bit] 4.0: U4 AS/ES v2.6.9-42.EL, U4+ AS/ES v2.6.9-42.0.2.EL	PCI	NEC N8190-120 (LP1050)1, 4, 13, 23	FC-AL, FC-SW	Intel SSR212PPf	Y

316	HPQ Proliant: DL3209, DL360(G2)9, DL3609, DL380(G2)9, DL380(G3)9, DL3809, DL580(G2)9, DL5809, ML350(G2)9, ML350(G3)9, ML3509, ML370(G2)9, ML3709, ML530(G2)9, ML530(G3)9, ML5309, ML5709, ML7509	Red Hat RHEL [32-Bit] 4.0: U4 AS/ES v2.6.9-42.EL, U4+ AS/ES v2.6.9-42.0.2.EL	PCI	QLogic: QLA2340-E-SP5, 6, QLE220-E-SP2, 45, 46	FC-AL, FC-SW	Intel SSR212PPf	Y
317	Dell PowerEdge: 1800, 2800, 2850, 6800, 6850; Digital Henge Revo: JS1400, JS2400	Red Hat RHEL [32-Bit] 4.0: U4 AS/ES v2.6.9-42.EL, U4+ AS/ES v2.6.9-42.0.2.EL	PCI Express	Emulex LP101-E1, 2, 4, 13; QLogic: QLA200-E-SP2, 5, 26, QLA210-E-SP2, 5, 26	FC-AL, FC-SW	Intel SSR212PPf	Y
318	Dell PowerEdge: 1800, 2800, 2850	Red Hat RHEL [32-Bit] 4.0: U4 AS/ES v2.6.9-42.EL, U4+ AS/ES v2.6.9-42.0.2.EL	PCI Express	Emulex LP1050-E1, 2, 3, 4; QLogic QLA2340-E-SP2, 5, 6	FC-AL, FC-SW	Intel SSR212PPf	Y
319	Dell PowerEdge: 1800, 1850, 1950, 2800, 2850, 6800, 6850; Digital Henge INNO: HR-4850, HR-6850; Digital Henge Revo: JS1400, JS2400; IBM xSeries x336 (8837)12; LangChao: NC3000, NC3500, NF500, NF520; Lenovo SureServer: R650, T650; Samsung: ZSS150, ZSS230	Red Hat RHEL [32-Bit] 4.0: U4 AS/ES v2.6.9-42.EL, U4+ AS/ES v2.6.9-42.0.2.EL	PCI Express	Emulex LP1050Ex-E1, 2, 4, 13	FC-AL, FC-SW	Intel SSR212PPf	Y
320	Dell PowerEdge: 1800, 2800, 2850; Samsung ZSS230	Red Hat RHEL [32-Bit] 4.0: U4 AS/ES v2.6.9-42.EL, U4+ AS/ES v2.6.9-42.0.2.EL	PCI Express	Emulex LP982-E1, 2, 4	FC-AL, FC-SW	Intel SSR212PPf	Y
321	Samsung ZSS230	Red Hat RHEL [32-Bit] 4.0: U4 AS/ES v2.6.9-42.EL, U4+ AS/ES v2.6.9-42.0.2.EL	PCI Express	Emulex: LP101-E1, 4, 13, LP1050-E1, 3, 4, LP982-E1, 4; QLogic QLA2340-E-SP5, 6	FC-AL, FC-SW	Intel SSR212PPf	Y
322	Dell PowerEdge: 1800, 1850, 1950, 2800, 2850, 6800, 6850; Digital Henge INNO: HR-4850, HR-6850; Digital Henge Revo: JS1400, JS2400; HPQ Proliant: DL360(G4)9, DL380(G4)9, DL580(G3)9, ML350(G4)9, ML370(G4)9; LangChao: NC3000, NC3500, NF520; Lenovo SureServer: R650, T650; Samsung: ZSS150, ZSS230	Red Hat RHEL [32-Bit] 4.0: U4 AS/ES v2.6.9-42.EL, U4+ AS/ES v2.6.9-42.0.2.EL	PCI Express	Emulex: LPe111-E1, 2, 4, 25, LPe1150-E1, 2, 4, 17	FC-AL, FC-SW	Intel SSR212PPf	Y

Red Hat RHEL [32-Bit]

No.	Host System	Operating System	Host Bus	Host Bus Adapter	Topology	Storage Array	External Boot
323	HPQ Proliant: DL360(G4)9, DL380(G4)9, DL580(G3)9, ML350(G4)9, ML370(G4)9	Red Hat RHEL [32-Bit] 4.0: U4 AS/ES v2.6.9-42.EL, U4+ AS/ES v2.6.9-42.0.2.EL	PCI Express	HPQ A8002A/FC2142SR (LPe1150)1, 2, 4, 27	FC-AL, FC-SW	Intel SSR212PPf	Y
324	HPQ Proliant BL460c: (404664-B21), (416653-B21), (416654-B21), (416655-B21), (416656-B21), (432636-B21); HPQ Proliant BL465c: (403433-B21), (403434-B21), (407234-B21), (407235-B21); HPQ Proliant BL480c: (404704-B21), (416666-B21), (416667-B21), (416668-B21), (416669-B21)	Red Hat RHEL [32-Bit] 4.0: U4 AS/ES v2.6.9-42.EL, U4+ AS/ES v2.6.9-42.0.2.EL	PCI Express	HPQ Emulex LPe1105-HP 4Gb FC HBA for HP c-Class Bladesystem (403621-B21)4, 25, 28	FC-AL, FC-SW	Intel SSR212PPf	Y10, 11
325	HPQ Proliant BL460c: (404664-B21), (416653-B21), (416654-B21), (416655-B21), (416656-B21), (432636-B21); HPQ Proliant BL465c: (403433-B21), (403434-B21), (407234-B21), (407235-B21); HPQ Proliant BL480c: (404704-B21), (416666-B21), (416667-B21), (416668-B21), (416669-B21)	Red Hat RHEL [32-Bit] 4.0: U4 AS/ES v2.6.9-42.EL, U4+ AS/ES v2.6.9-42.0.2.EL	PCI Express	HPQ Emulex LPe1105-HP 4Gb FC HBA for HP c-Class Bladesystem (403621-B21)4, 28, 34	FC-AL, FC-SW	Intel SSR212PPf	Y33
326	HPQ Proliant BL460c: (404664-B21), (416653-B21), (416654-B21), (416655-B21), (416656-B21), (432636-B21); HPQ Proliant BL465c: (403433-B21), (403434-B21), (407234-B21), (407235-B21); HPQ Proliant BL480c: (404704-B21), (416666-B21), (416667-B21), (416668-B21), (416669-B21)	Red Hat RHEL [32-Bit] 4.0: U4 AS/ES v2.6.9-42.EL, U4+ AS/ES v2.6.9-42.0.2.EL	PCI Express	HPQ QLogic QMH2462 4Gb FC HBA for HP c-Class Bladesystem (403619-B21)5, 24	FC-AL, FC-SW	Intel SSR212PPf	N
327	HPQ Proliant BL460c: (404664-B21),	Red Hat RHEL [32-Bit] 4.0: U4 AS/ES	PCI	HPQ: Emulex LPe1105-HP 4Gb FC	FC-AL,	Intel	Y

Intel® Storage System SSR212PP-Series

Red Hat* Linux (32-Bit)

	(416653-B21), (416654-B21), (416655-B21), (416656-B21), (432636-B21); HPQ Proliant BL465c: (403433-B21), (403434-B21), (407234-B21), (407235-B21); HPQ Proliant BL480c: (404704-B21), (416666-B21), (416667-B21), (416668-B21), (416669-B21)	v2.6.9-42.EL, U4+ AS/ES v2.6.9-42.0.2.EL	Express	HBA for HP c-Class Bladesystem (403621-B21)4, 28, 34, QLogic QMH2462 4Gb FC HBA for HP c-Class Bladesystem (403619-B21)5, 24	FC-SW	SSR212PPf	
328	IBM xSeries x3455 (7984)	Red Hat RHEL [32-Bit] 4.0: U4 AS/ES v2.6.9-42.EL, U4+ AS/ES v2.6.9-42.0.2.EL	PCI Express	IBM: 42C2069 (LPe11000)1, 2, 4, 27, 42C2071 (LPe11002)1, 2, 4, 17; QLogic: QLE2360-E-SP2, 5, 14, QLE2362-E-SP2, 5, 14, QLE2462-E-SP2, 5, 18	FC-AL, FC-SW	Intel SSR212PPf	Y
329	Dell PowerEdge 1950; Digital Henge Revo: JS1400, JS2400	Red Hat RHEL [32-Bit] 4.0: U4 AS/ES v2.6.9-42.EL, U4+ AS/ES v2.6.9-42.0.2.EL	PCI Express	QLogic QLE220-E-SP2, 45, 46	FC-AL, FC-SW	Intel SSR212PPf	Y
330	Dell PowerEdge: 1800, 1850, 1950, 2800, 2850, 6800, 6850; Digital Henge INNO: HR-4850, HR-6850; Digital Henge Revo: JS1400, JS2400; IBM xSeries x336 (8837)12; LangChao: NC3000, NC3500, NF520; Lenovo SureServer: R650, T650; Samsung: ZSS150, ZSS230	Red Hat RHEL [32-Bit] 4.0: U4 AS/ES v2.6.9-42.EL, U4+ AS/ES v2.6.9-42.0.2.EL	PCI Express	QLogic QLE2360-E-SP2, 5, 14, 15	FC-AL, FC-SW	Intel SSR212PPf	Y
331	Digital Henge INNO: HR-4850, HR-6850; LangChao: NC3000, NC3500, NF500, NF520; Samsung ZSS230	Red Hat RHEL [32-Bit] 4.0: U4 AS/ES v2.6.9-42.EL, U4+ AS/ES v2.6.9-42.0.2.EL	PCI Express	QLogic QLE2360-E-SP5, 14, 15	FC-AL, FC-SW	Intel SSR212PPf	Y
332	Dell PowerEdge: 1800, 1850, 1950, 2800, 2850, 6800, 6850; Digital Henge INNO: HR-4850, HR-6850; Digital Henge Revo: JS1400, JS2400; IBM xSeries x3455 (7984); LangChao: NC3000, NC3500, NF520; Lenovo SureServer: R650, T650; Samsung: ZSS150, ZSS230	Red Hat RHEL [32-Bit] 4.0: U4 AS/ES v2.6.9-42.EL, U4+ AS/ES v2.6.9-42.0.2.EL	PCI Express	QLogic QLE2460-E-SP2, 5, 18	FC-AL, FC-SW	Intel SSR212PPf	Y
333	Dell PowerEdge: 2900, 2950, 6800, 6850, 6950; Digital Henge Revo: AS1500, AS1550, AS2500; HPQ Proliant ML350(G4)9; Intel: SR1500/S5000PAL, SR2500/S5000PAL	Red Hat RHEL [32-Bit] 4.0: U4 AS/ES v2.6.9-42.EL, U4+ AS/ES v2.6.9-42.0.2.EL	PCI Express, PCI-X	Emulex LP101-E1, 2, 4, 13; QLogic: QLA200-E-SP2, 5, 26, QLA210-E-SP2, 5, 26	FC-AL, FC-SW	Intel SSR212PPf	Y

Red Hat RHEL [32-Bit]

No.	Host System	Operating System	Host Bus	Host Bus Adapter	Topology	Storage Array	External Boot
334	Dell PowerEdge: 2900, 2950, 6800, 6850, 6950; Digital Henge Revo: AS1500, AS1550, AS2500; IBM xSeries: x3550 (7978), x3650 (7979), x3755 (8877); Intel: SR1500/S5000PAL, SR2500/S5000PAL	Red Hat RHEL [32-Bit] 4.0: U4 AS/ES v2.6.9-42.EL, U4+ AS/ES v2.6.9-42.0.2.EL	PCI Express, PCI-X	Emulex LP1050-E1, 2, 3, 4; QLogic QLA2340-E-SP2, 5, 6	FC-AL, FC-SW	Intel SSR212PPf	Y
335	Dell PowerEdge: 2900, 2950, 6800, 6850, 6950; Digital Henge Revo: AS1500, AS1550, AS2500; Intel: SR1500/S5000PAL, SR2500/S5000PAL	Red Hat RHEL [32-Bit] 4.0: U4 AS/ES v2.6.9-42.EL, U4+ AS/ES v2.6.9-42.0.2.EL	PCI Express, PCI-X	Emulex LP982-E1, 2, 4	FC-AL, FC-SW	Intel SSR212PPf	Y
336	HPQ Proliant ML350(G4)9	Red Hat RHEL [32-Bit] 4.0: U4 AS/ES v2.6.9-42.EL, U4+ AS/ES v2.6.9-42.0.2.EL	PCI Express, PCI-X	Emulex: LP1050-E1, 3, 4, LP982-E1, 4; HPQ: AB429A/FC1143 (QLA2460)2, 5, 8, AE369A/FC1243 (QLA2462)2, 5, 8; QLogic QLA2340-E-SP5, 6	FC-AL, FC-SW	Intel SSR212PPf	Y
337	Dell PowerEdge: 2900, 2950, 6950;	Red Hat RHEL [32-Bit] 4.0: U4 AS/ES v2.6.9-42.EL, U4+ AS/ES v2.6.9-42.0.2.EL	PCI Express,	Emulex: LP1050Ex-E1, 2, 4, 13, LPe111-E1, 2, 4, 25, LPe1150-E1, 2, 4, 17;	FC-AL, FC-SW	Intel SSR212PPf	Y

	Digital Henge Revo: AS1500, AS1550, AS2500; IBM eServer 326m (Model 7969); Intel: SR1500/S5000PAL, SR2500/S5000PAL	v2.6.9-42.0.2.EL	PCI-X	QLogic: QLE2360-E-SP2, 5, 14, 15, QLE2460-E-SP2, 5, 18			
338	IBM xSeries: x3550 (7978), x3650 (7979), x3755 (8877)	Red Hat RHEL [32-Bit] 4.0: U4 AS/ES v2.6.9-42.EL, U4+ AS/ES v2.6.9-42.0.2.EL	PCI Express, PCI-X	IBM: 24P0960 (QLA2340)2, 5, 6, 16, 24P8053 (QLA2342)2, 5, 6; QLogic: QLA2460-E-SP2, 5, 18, QLE2360-E-SP2, 5, 74, QLE2460-E-SP2, 5, 73	FC-AL, FC-SW	Intel SSR212PPf	Y
339	NEC Express 5800: 120Li, 120Rg-1, 120Ri-2, 140Hf, 140Re-4	Red Hat RHEL [32-Bit] 4.0: U4 AS/ES v2.6.9-42.EL, U4+ AS/ES v2.6.9-42.0.2.EL	PCI Express, PCI-X	NEC: N8190-120 (LP1050)3, 4, 23, 79, N8190-127 (LPe1150)4, 17, 23, 79	FC-AL, FC-SW	Intel SSR212PPf	Y
340	Dell PowerEdge: 1850, 1900, 2850, 2900, 2950, 6800, 6850, 6950; Digital Henge Revo: AS1500, AS1550, AS2500; HPQ Proliant ML350(G4)9; Intel: SR1500/S5000PAL, SR2500/S5000PAL	Red Hat RHEL [32-Bit] 4.0: U4 AS/ES v2.6.9-42.EL, U4+ AS/ES v2.6.9-42.0.2.EL	PCI Express, PCI-X	QLogic QLE220-E-SP2, 45, 46	FC-AL, FC-SW	Intel SSR212PPf	Y
341	Digital Henge Revo: JS1400, JS2400	Red Hat RHEL [32-Bit] 4.0: U4 AS/ES v2.6.9-42.EL, U4+ AS/ES v2.6.9-42.0.2.EL	PCI Express, PCI-X70	Emulex: LP101-E1, 2, 4, 13, LP1050-E1, 3, 4, LP982-E1, 4; QLogic: QLA200-E-SP2, 5, 26, QLA210-E-SP2, 5, 26, QLA2340-E-SP5, 6, QLE220-E-SP2, 45, 46	FC-AL, FC-SW	Intel SSR212PPf	Y
342	Dell PowerEdge 1855	Red Hat RHEL [32-Bit] 4.0: U4 AS/ES v2.6.9-42.EL, U4+ AS/ES v2.6.9-42.0.2.EL	PCI-X	Dell: 2342M5, 6, LPe1105-M1, 2, 4, 17, QME24622, 5, 53	FC-AL, FC-SW	Intel SSR212PPf	Y
343	Dell PowerEdge: 1600SC, 1650, 1750, 1850, 1950, 2600, 2650, 6600, 6650; Digital Henge SH4500R4; HPQ Proliant: BL40p, DL360(G3)9, DL360(G4)9, DL5609, DL7409, DL760 (G2)9, DL7609, ML570(G2)9; LangChao NF420; Lenovo SureServer: R630 6004, T630 6003; Samsung: SS210, SS370, SS3840	Red Hat RHEL [32-Bit] 4.0: U4 AS/ES v2.6.9-42.EL, U4+ AS/ES v2.6.9-42.0.2.EL	PCI-X	Emulex LP101-E1, 2, 4, 13; QLogic QLA200-E-SP2, 5, 26	FC-AL, FC-SW	Intel SSR212PPf	Y
344	Dell PowerEdge: 2600, 2650, 6600, 6650; Digital Henge INNO: HR-4850, HR-6850; LangChao: NC3000, NC3500, NF500, NF520	Red Hat RHEL [32-Bit] 4.0: U4 AS/ES v2.6.9-42.EL, U4+ AS/ES v2.6.9-42.0.2.EL	PCI-X	Emulex LP101-E1, 4, 13	FC-AL, FC-SW	Intel SSR212PPf	Y
345	Dell PowerEdge: 1600SC, 1650, 1750, 1850, 1950, 2600, 2650, 6600, 6650; Digital Henge SH4500R4; IBM xSeries: x255, x336 (8837)12, x346 (8840)12; LangChao: NC2000, NC3000, NC3500, NF420, NF500, NF520; Lenovo SureServer R630: 6003, 6004; Lenovo SureServer: R650, T630 6003, T650; Samsung: SS210, SS370, SS3840, ZSS150, ZSS230; Sun: V20z, V40z, x4100, x4200	Red Hat RHEL [32-Bit] 4.0: U4 AS/ES v2.6.9-42.EL, U4+ AS/ES v2.6.9-42.0.2.EL	PCI-X	Emulex LP1050-E1, 2, 3, 4	FC-AL, FC-SW	Intel SSR212PPf	Y
Red Hat RHEL [32-Bit]							
No.	Host System	Operating System	Host Bus	Host Bus Adapter	Topology	Storage Array	External Boot
346	Dell PowerEdge: 1600SC, 1650, 1750, 1850, 2600, 2650, 6600, 6650; Digital Henge INNO: HR-4850, HR-6850; Digital Henge SH4500R4; IBM xSeries: x255, x336 (8837)12, x346 (8840)12; LangChao: NC2000, NC3000, NC3500, NF420, NF500, NF520; Lenovo SureServer R630: 6003, 6004; Lenovo SureServer: R650, T630 6003, T650;	Red Hat RHEL [32-Bit] 4.0: U4 AS/ES v2.6.9-42.EL, U4+ AS/ES v2.6.9-42.0.2.EL	PCI-X	Emulex LP982-E1, 2, 4	FC-AL, FC-SW	Intel SSR212PPf	Y

Intel® Storage System SSR212PP-Series

Red Hat* Linux (32-Bit)

	Samsung: SS210, SS370, SS3840, ZSS150, ZSS230; Sun: V20z, V40z, x4100, x4200						
347	Dell PowerEdge: 2600, 2650, 6600, 6650; Digital Henge INNO: HR-4850, HR-6850; HPQ Proliant: BL40p, DL360(G3)9, DL360(G4)9, DL5609, DL760 (G2)9, DL7609, ML570(G2)9; LangChao: NC3000, NC3500, NF500, NF520; Samsung: SS370, SS3840	Red Hat RHEL [32-Bit] 4.0: U4 AS/ES v2.6.9-42.EL, U4+ AS/ES v2.6.9-42.0.2.EL	PCI-X	Emulex: LP1050-E1, 3, 4, LP982-E1, 4	FC-AL, FC-SW	Intel SSR212PPf	Y
348	HPQ Proliant DL360(G4)9	Red Hat RHEL [32-Bit] 4.0: U4 AS/ES v2.6.9-42.EL, U4+ AS/ES v2.6.9-42.0.2.EL	PCI-X	HPQ: AB429A/FC1143 (QLA2460)2, 5, 8, AE369A/FC1243 (QLA2462)2, 5, 8	FC-AL, FC-SW	Intel SSR212PPf	Y
349	NEC Express 5800: 120Lh, 120Re-1, 120Rf-1, 120Rg-2, 120Rh-2, 140He, 140Rd-4	Red Hat RHEL [32-Bit] 4.0: U4 AS/ES v2.6.9-42.EL, U4+ AS/ES v2.6.9-42.0.2.EL	PCI-X	NEC N8190-120 (LP1050)1, 4, 13, 23	FC-AL, FC-SW	Intel SSR212PPf	Y
350	NEC Express 5800: 140He, 140Rd-4	Red Hat RHEL [32-Bit] 4.0: U4 AS/ES v2.6.9-42.EL, U4+ AS/ES v2.6.9-42.0.2.EL	PCI-X	NEC N8190-127 (LPe1150)1, 4, 23, 27	FC-AL, FC-SW	Intel SSR212PPf	Y
351	Dell PowerEdge: 2600, 2650, 6600, 6650	Red Hat RHEL [32-Bit] 4.0: U4 AS/ES v2.6.9-42.EL, U4+ AS/ES v2.6.9-42.0.2.EL	PCI-X	QLogic QLA200-E-SP5, 26	FC-AL, FC-SW	Intel SSR212PPf	Y
352	Dell PowerEdge: 1600SC, 1650, 1750, 1850, 2600, 2650, 6600, 6650; Digital Henge SH4500R4; HPQ Proliant: BL40p, DL360(G3)9, DL360(G4)9, DL5609, DL7409, DL760 (G2)9, DL7609, ML570(G2)9; LangChao NF420; Lenovo SureServer: R630 6004, T630 6003; Samsung: SS210, SS370, SS3840	Red Hat RHEL [32-Bit] 4.0: U4 AS/ES v2.6.9-42.EL, U4+ AS/ES v2.6.9-42.0.2.EL	PCI-X	QLogic QLA210-E-SP2, 5, 26	FC-AL, FC-SW	Intel SSR212PPf	Y
353	Dell PowerEdge: 1600SC, 1650, 1750, 1850, 1950; Digital Henge SH4500R4; IBM xSeries: x255, x336 (8837)12, x346 (8840)12; LangChao: NC2000, NC3000, NC3500, NF420, NF500, NF520; Lenovo SureServer R630: 6003, 6004; Lenovo SureServer: R650, T630 6003, T650; Samsung: SS210, SS370, SS3840, ZSS150, ZSS230; Sun: V20z, V40z, x4100, x4200	Red Hat RHEL [32-Bit] 4.0: U4 AS/ES v2.6.9-42.EL, U4+ AS/ES v2.6.9-42.0.2.EL	PCI-X	QLogic QLA2340-E-SP2, 5, 6	FC-AL, FC-SW	Intel SSR212PPf	Y
354	Dell PowerEdge: 2600, 2650, 6600, 6650; Digital Henge INNO: HR-4850, HR-6850; Digital Henge SH4500R4; HPQ Proliant: BL40p, DL360(G3)9, DL360(G4)9, DL5609, DL7409, DL760 (G2)9, DL7609, ML570(G2)9; LangChao: NC2000, NC3000, NC3500, NF420, NF500, NF520; Lenovo SureServer: R630 6004, T630 6003; Samsung: SS210, SS370, SS3840	Red Hat RHEL [32-Bit] 4.0: U4 AS/ES v2.6.9-42.EL, U4+ AS/ES v2.6.9-42.0.2.EL	PCI-X	QLogic QLA2340-E-SP5, 6	FC-AL, FC-SW	Intel SSR212PPf	Y
355	Sun: x4100, x4200	Red Hat RHEL [32-Bit] 4.0: U4 AS/ES v2.6.9-42.EL, U4+ AS/ES v2.6.9-42.0.2.EL	PCI-X	QLogic QLA2460-E-SP2, 5, 18	FC-AL, FC-SW	Intel SSR212PPf	Y

Red Hat RHEL [32-Bit]

No.	Host System	Operating System	Host Bus	Host Bus Adapter	Topology	Storage Array	External Boot
356	Digital Henge SH4500R4; Fujitsu Siemens Primergy: RX300 S2, TX200 S2, TX300 S2; HPQ Proliant: BL40p, DL360(G3)9, DL360(G4)9, DL5609, DL7409, DL760 (G2)9, DL7609, ML570(G2)9; LangChao NF420; Lenovo SureServer: R630 6004, T630 6003; Samsung: SS210, SS370, SS3840	Red Hat RHEL [32-Bit] 4.0: U4 AS/ES v2.6.9-42.EL, U4+ AS/ES v2.6.9-42.0.2.EL	PCI-X	QLogic QLE220-E-SP2, 45, 46	FC-AL, FC-SW	Intel SSR212PPf	Y
357	Dell PowerEdge 1955	Red Hat RHEL [32-Bit] 4.0: U4 AS/ES v2.6.9-42.EL, U4+ AS/ES v2.6.9-42.0.2.EL	PCI, PCI Express, PCI-X	Dell: LPe1105-M1, 2, 4, 17, QME24622, 5, 53	FC-AL, FC-SW	Intel SSR212PPf	Y
358	HPQ Proliant: DL380(G5), DL580(G4)	Red Hat RHEL [32-Bit] 4.0: U4 AS/ES v2.6.9-42.EL, U4+ AS/ES v2.6.9-42.0.2.EL	PCI, PCI Express, PCI-X	Emulex: LP101-E1, 2, 4, 13, LP1050-E1, 3, 4, LP982-E1, 4, LPe111-E1, 2, 4, 25, LPe1150-E1, 2, 4, 17;	FC-AL, FC-SW	Intel SSR212PPf	Y

				HPQ: A8002A/FC2142SR (LPe1150)1, 2, 4, 27, AE311A/FC1142SR (QLA2460)2, 5, 18, AE312A/FC1242SR (QLA2462)2, 5, 18; QLogic: QLA200-E-SP2, 5, 26, QLA210-E-SP2, 5, 26, QLA2340-E-SP5, 6, QLE2460-E-SP2, 5, 18, QLE2462-E-SP2, 5, 18			
359	HPQ Proliant DL380(G5)	Red Hat RHEL [32-Bit] 4.0: U4 AS/ES v2.6.9-42.EL, U4+ AS/ES v2.6.9-42.0.2.EL	PCI, PCI Express, PCI-X	HPQ: AB429A/FC1143 (QLA2460)2, 5, 8, AE369A/FC1243 (QLA2462)2, 5, 8	FC-AL, FC-SW	Intel SSR212PPf	Y
360	Dell PowerEdge: 1800, 2800; HPQ Proliant: DL380(G5), DL580(G4)	Red Hat RHEL [32-Bit] 4.0: U4 AS/ES v2.6.9-42.EL, U4+ AS/ES v2.6.9-42.0.2.EL	PCI, PCI Express, PCI-X	QLogic QLE220-E-SP2, 45, 46	FC-AL, FC-SW	Intel SSR212PPf	Y
361	HPQ Proliant: DL1459, DL380(G2)9, DL380(G3)9, DL380(G4)9, DL3809, DL3859, DL580(G2)9, DL580(G3)9, DL5859, ML370(G3)9, ML370(G4)9; Samsung SS140	Red Hat RHEL [32-Bit] 4.0: U4 AS/ES v2.6.9-42.EL, U4+ AS/ES v2.6.9-42.0.2.EL	PCI, PCI-X	Emulex LP101-E1, 2, 4, 13; QLogic: QLA200-E-SP2, 5, 26, QLA210-E-SP2, 5, 26, QLE220-E-SP2, 45, 46	FC-AL, FC-SW	Intel SSR212PPf	Y
362	Dell PowerEdge: 1800, 1850, 2800, 2850; IBM eServer: 325 (Model 8835), 326 (Model 8848); IBM xSeries: x365, x440, x445 (8870); Samsung: ES470, ES570, SS140	Red Hat RHEL [32-Bit] 4.0: U4 AS/ES v2.6.9-42.EL, U4+ AS/ES v2.6.9-42.0.2.EL	PCI, PCI-X	Emulex: LP1050-E1, 2, 3, 4, LP982-E1, 2, 4; QLogic QLA2340-E-SP2, 5, 6	FC-AL, FC-SW	Intel SSR212PPf	Y
363	HPQ Proliant: DL1459, DL380(G2)9, DL380(G3)9, DL380(G4)9, DL3809, DL3859, DL580(G2)9, DL580(G3)9, DL5859, ML370(G3)9, ML370(G4)9	Red Hat RHEL [32-Bit] 4.0: U4 AS/ES v2.6.9-42.EL, U4+ AS/ES v2.6.9-42.0.2.EL	PCI, PCI-X	Emulex: LP1050-E1, 3, 4, LP982-E1, 4	FC-AL, FC-SW	Intel SSR212PPf	Y
364	HPQ Proliant: DL380(G4)9, DL3859, DL5859, ML370(G4)9	Red Hat RHEL [32-Bit] 4.0: U4 AS/ES v2.6.9-42.EL, U4+ AS/ES v2.6.9-42.0.2.EL	PCI, PCI-X	HPQ: AB429A/FC1143 (QLA2460)2, 5, 8, AE369A/FC1243 (QLA2462)2, 5, 8	FC-AL, FC-SW	Intel SSR212PPf	Y
365	IBM eServer: 325 (Model 8835), 326 (Model 8848)	Red Hat RHEL [32-Bit] 4.0: U4 AS/ES v2.6.9-42.EL, U4+ AS/ES v2.6.9-42.0.2.EL	PCI, PCI-X	IBM 24P0960 (QLA2340)2, 5, 6, 16	FC-AL, FC-SW	Intel SSR212PPf	Y
366	HPQ Proliant: DL1459, DL380(G4)9, DL3859, DL580(G2)9, DL580(G3)9, DL5859, ML370(G3)9, ML370(G4)9; Samsung SS140	Red Hat RHEL [32-Bit] 4.0: U4 AS/ES v2.6.9-42.EL, U4+ AS/ES v2.6.9-42.0.2.EL	PCI, PCI-X	QLogic QLA2340-E-SP5, 6	FC-AL, FC-SW	Intel SSR212PPf	Y
367	IBM BladeCenter HS20 (Model 8843)	Red Hat RHEL [32-Bit] 3.0 U5 AS/ES: v2.4.21-32.EL30, 97, 98, v2.4.21-32.EL30, 98; Red Hat RHEL [32-Bit] 3.0 U5+ AS/ES v2.4.21-32.0.1.EL30, 98	PCI-X	IBM HS20 FC Exp Card (26K4841)2, 6, 95, 100	FC-SW	Intel SSR212PPf	Y11, 47
368	IBM BladeCenter HS20 (Model: 8678)19, 8832)19, 8832-N1X), 8843); IBM BladeCenter HS40 (Model 8839)	Red Hat RHEL [32-Bit] 3.0 U5 AS/ES: v2.4.21-32.EL30, 97, 98, v2.4.21-32.EL30, 98; Red Hat RHEL [32-Bit] 3.0 U5+ AS/ES v2.4.21-32.0.1.EL30, 98	PCI-X	IBM HS20 FC Exp Card: (13N2203)2, 6, 95, 100, (48P7061)2, 6, 95, 100	FC-SW	Intel SSR212PPf	Y11, 47
369	Bull NovaScale 2320	Red Hat RHEL [32-Bit] 3.0 U7 AS/ES v2.4.21-40.EL30, 31	PCI-X	Bull 2Gbps FC Mezzanine Card - Dual port: for NovaScale Blade Series CFSN202-110037, 75, 83, mini for NovaScale Blade 2021 CFSN202-210037, 75, 83; Bull: SBEFCM (SFF) Mezzanine HBA37, 75, 83, SBEFCM4 (SFF) 4Gb Mezzanine HBA22, 37, 83	FC-SW	Intel SSR212PPf	Y
370	Digital Henge PowerBlade BS200L	Red Hat RHEL [32-Bit] 3.0 U7 AS/ES v2.4.21-40.EL30, 31	PCI-X	Digital Henge Digital Henge: SBEFCM42, 22, 37, SBEFCM37, 75, 83, SBF37, 75, 83; Digital Henge Intel (r) Fibre Channel Module AHWF37, 75, 83	FC-SW	Intel SSR212PPf	Y
371	IBM BladeCenter HS20 (Model: 7981), 8843); IBM BladeCenter LS20 (Model 8850)	Red Hat RHEL [32-Bit] 3.0 U7 AS/ES v2.4.21-40.EL30, 31	PCI-X	IBM Emulex 4Gb SFF Fibre Channel Exp Card (39Y9186)2, 32, 67, 78	FC-SW	Intel SSR212PPf	Y
Red Hat RHEL [32-Bit]							
No.	Host System	Operating System	Host Bus	Host Bus Adapter	Topology	Storage Array	External Boot
372	IBM BladeCenter: HS20 (Model 8843), LS20 (Model 8850)	Red Hat RHEL [32-Bit] 3.0 U7 AS/ES v2.4.21-40.EL30, 31	PCI-X	IBM HS20 4GB SFF FC Exp Card (26R0890)2, 22, 29	FC-SW	Intel SSR212PPf	Y
373	IBM BladeCenter HS20 (Model 8843)	Red Hat RHEL [32-Bit] 3.0 U7 AS/ES v2.4.21-40.EL30, 31	PCI-X	IBM HS20 FC Exp Card (26K4841)2, 6, 29	FC-SW	Intel SSR212PPf	Y
374	IBM BladeCenter HS20 (Model: 7981), 8678)19, 8832)19, 8832-N1X), 8843); IBM BladeCenter HS40 (Model 8839)	Red Hat RHEL [32-Bit] 3.0 U7 AS/ES v2.4.21-40.EL30, 31	PCI-X	IBM HS20 FC Exp Card: (13N2203)2, 6, 29, (48P7061)2, 6, 29	FC-SW	Intel SSR212PPf	Y
375	IBM BladeCenter LS20 (Model 8850)	Red Hat RHEL [32-Bit] 3.0 U7 AS/ES v2.4.21-40.EL30, 31	PCI-X	IBM HS20 FC: Exp Card (13N2203) for IBM eServer LS202, 6, 29, SFF Exp Card (26K4841) for IBM eServer LS202, 6, 29	FC-SW	Intel SSR212PPf	Y

Intel® Storage System SSR212PP-Series

Red Hat* Linux (32-Bit)

376	IBM BladeCenter HS21 (Model 8853)69	Red Hat RHEL [32-Bit] 3.0 U7 AS/ES v2.4.21-40.EL30, 31	PCI-X	IBM: Emulex 4Gb SFF Fibre Channel Exp Card (39Y9186)2, 32, 67, 68, HS20 4GB SFF FC Exp Card (26R0890)2, 21, 22, 29, HS20 FC Exp Card (13N2203)2, 6, 29, HS20 FC Exp Card (48P7061)2, 6, 29	FC-SW	Intel SSR212PPf	Y66
377	IBM BladeCenter HS20 (Model: 7981), 8678)19, 8832)19, 8832-N1X), 8843); IBM BladeCenter: HS40 (Model 8839), LS20 (Model 8850)	Red Hat RHEL [32-Bit] 3.0 U7 AS/ES v2.4.21-40.EL30, 31	PCI-X	IBM: Emulex LP1005DC FC Exp Card1, 2, 32, 61, HS20 4GB Standard FC Exp Card (26R0884)2, 20, 29	FC-SW	Intel SSR212PPf	Y
378	Bull NovaScale 2320	Red Hat RHEL [32-Bit] 3.0 U8 AS/ES v2.4.21-47.EL30, 31	PCI-X	Bull 2Gbps FC Mezzanine Card – Dual port: for NovaScale Blade Series CFSN202-110040, 43, mini for NovaScale Blade 2021 CFSN202-210040, 43, mini for NovaScale Blade 2021 CFSN202-210075, 76; Bull: SBEFCM (SFF) Mezzanine HBA40, 43, SBEFCM4 (SFF) 4Gb Mezzanine HBA39, 43	FC-SW	Intel SSR212PPf	Y
379	Digital Henge PowerBlade BS200L	Red Hat RHEL [32-Bit] 3.0 U8 AS/ES v2.4.21-47.EL30, 31	PCI-X	Digital Henge Digital Henge: SBEFCM42, 39, 43, SBEFCM40, 43, SBF4M40, 43; Digital Henge Intel (r) Fibre Channel Module AHWFCMOD2, 40, 43	FC-SW	Intel SSR212PPf	Y
380	IBM BladeCenter HS20 (Model: 7981), 8843); IBM BladeCenter: LS20 (Model 8850), LS21 (Model 7971), LS41 (Model 7972)	Red Hat RHEL [32-Bit] 3.0 U8 AS/ES v2.4.21-47.EL30, 31	PCI-X	IBM Emulex 4Gb SFF Fibre Channel Exp Card (39Y9186)2, 38, 67, 78	FC-SW	Intel SSR212PPf	Y
381	IBM BladeCenter HS20 (Model: 7981), 8678)19, 8832)19, 8832-N1X), 8843); IBM BladeCenter HS40 (Model 8839)	Red Hat RHEL [32-Bit] 3.0 U8 AS/ES v2.4.21-47.EL30, 31	PCI-X	IBM HS20 FC Exp Card: (13N2203)2, 6, 44, (48P7061)2, 6, 44	FC-SW	Intel SSR212PPf	Y
382	IBM BladeCenter LS20 (Model 8850)	Red Hat RHEL [32-Bit] 3.0 U8 AS/ES v2.4.21-47.EL30, 31	PCI-X	IBM HS20 FC: Exp Card (13N2203) for IBM eServer LS202, 6, 44, SFF Exp Card (26K4841) for IBM eServer LS202, 6, 44	FC-SW	Intel SSR212PPf	Y
383	IBM BladeCenter: HS20 (Model 8843), LS20 (Model 8850), LS21 (Model 7971), LS41 (Model 7972)	Red Hat RHEL [32-Bit] 3.0 U8 AS/ES v2.4.21-47.EL30, 31	PCI-X	IBM HS20: 4GB SFF FC Exp Card (26R0890)2, 22, 44, FC Exp Card (26K4841)2, 6, 44	FC-SW	Intel SSR212PPf	Y
384	IBM BladeCenter HS21 (Model 8853)69	Red Hat RHEL [32-Bit] 3.0 U8 AS/ES v2.4.21-47.EL30, 31	PCI-X	IBM: Emulex 4Gb SFF Fibre Channel Exp Card (39Y9186)2, 38, 67, 68, HS20 4GB SFF FC Exp Card (26R0890)2, 21, 22, 44, HS20 FC Exp Card (13N2203)2, 6, 44, HS20 FC Exp Card (48P7061)2, 6, 44	FC-SW	Intel SSR212PPf	Y66
385	IBM BladeCenter HS20 (Model: 7981), 8678)19, 8832)19, 8832-N1X), 8843); IBM BladeCenter: HS40 (Model 8839), LS20 (Model 8850)	Red Hat RHEL [32-Bit] 3.0 U8 AS/ES v2.4.21-47.EL30, 31	PCI-X	IBM: Emulex LP1005DC FC Exp Card1, 2, 38, 61, HS20 4GB Standard FC Exp Card (26R0884)2, 20, 44	FC-SW	Intel SSR212PPf	Y
386	IBM BladeCenter HS20 (Model: 7981), 8678)19, 8832)19, 8832-N1X), 8843); IBM BladeCenter: HS40 (Model 8839), LS20 (Model 8850)	Red Hat RHEL [32-Bit] 3.0: U6 AS/ES v2.4.21-37.EL, U6+ AS/ES v2.4.21-37.0.1.EL	PCI-X	IBM Emulex LP1005DC FC Exp Card1, 2, 54, 61	FC-SW	Intel SSR212PPf	Y11, 47
387	IBM BladeCenter: HS20 (Model 8843), LS20 (Model 8850)	Red Hat RHEL [32-Bit] 3.0: U6 AS/ES v2.4.21-37.EL, U6+ AS/ES v2.4.21-37.0.1.EL	PCI-X	IBM HS20 4GB SFF FC Exp Card (26R0890)2, 22, 29	FC-SW	Intel SSR212PPf	N11, 47
388	IBM BladeCenter HS20 (Model: 7981), 8678)19, 8832)19, 8832-N1X), 8843); IBM BladeCenter: HS40 (Model 8839), LS20 (Model 8850)	Red Hat RHEL [32-Bit] 3.0: U6 AS/ES v2.4.21-37.EL, U6+ AS/ES v2.4.21-37.0.1.EL	PCI-X	IBM HS20 4GB Standard FC Exp Card (26R0884)2, 20, 29	FC-SW	Intel SSR212PPf	N11, 47
389	IBM BladeCenter HS20 (Model 8843)	Red Hat RHEL [32-Bit] 3.0: U6 AS/ES v2.4.21-37.EL, U6+ AS/ES v2.4.21-37.0.1.EL	PCI-X	IBM HS20 FC Exp Card (26K4841)2, 6, 29	FC-SW	Intel SSR212PPf	Y11, 47
390	IBM BladeCenter HS20 (Model: 7981), 8678)19, 8832)19, 8832-N1X), 8843); IBM BladeCenter HS40 (Model 8839)	Red Hat RHEL [32-Bit] 3.0: U6 AS/ES v2.4.21-37.EL, U6+ AS/ES v2.4.21-37.0.1.EL	PCI-X	IBM HS20 FC Exp Card: (13N2203)2, 6, 29, (48P7061)2, 6, 29	FC-SW	Intel SSR212PPf	Y11, 47
391	IBM BladeCenter LS20 (Model 8850)	Red Hat RHEL [32-Bit] 3.0: U6 AS/ES v2.4.21-37.EL, U6+ AS/ES v2.4.21-37.0.1.EL	PCI-X	IBM HS20 FC: Exp Card (13N2203) for IBM eServer LS202, 6, 29, SFF Exp Card (26K4841) for IBM eServer LS202, 6, 29	FC-SW	Intel SSR212PPf	Y11, 47

Red Hat RHEL [32-Bit]

No.	Host System	Operating System	Host Bus	Host Bus Adapter	Topology	Storage Array	External Boot
392	Bull NovaScale 2320	Red Hat RHEL [32-Bit] 3.0: U6 AS/ES v2.4.21-37.EL, U6+ AS/ES v2.4.21-37.0.1.EL; Red Hat RHEL [32-Bit] 4.0: U2 AS/ES v2.6.9-22.EL, U2+ AS/ES v2.6.9-22.0.1.EL, U2+ AS/ES v2.6.9-22.0.2.EL	PCI-X	Bull 2Gbps FC Mezzanine Card – Dual port for NovaScale Blade Series: CFSN202-110075, 76, 86, 87, CFSN202-110075, 76, 88, 89, 90, CFSN202-110075, 76, 88, 90; Bull 2Gbps FC Mezzanine Card – Dual port mini for NovaScale Blade 2021: CFSN202-210075, 76, 86, 87, CFSN202-210075, 76, 88, 89, 90, CFSN202-210075, 76, 88, 90; Bull SBEFCM (SFF) Mezzanine: HBA2, 75, 76, 86, 87, HBA2, 75, 76, 88, 89, 90, HBA2, 75, 76, 88, 90	FC-SW	Intel SSR212PPf	Y

393	Bull NovaScale 2320	Red Hat RHEL [32-Bit] 3.0: U7 AS/ES v2.4.21-40.EL30, 31, U8 AS/ES v2.4.21-47.EL30, 31	PCI-X	Bull SBEFCM (SFF) Mezzanine HBA2, 75, 76	FC-SW	Intel SSR212PPf	Y
394	Bull NovaScale 2320	Red Hat RHEL [32-Bit] 3.0: U7 AS/ES v2.4.21-40.EL30, 31, U8 AS/ES v2.4.21-47.EL30, 31; Red Hat RHEL [32-Bit] 4.0: U3 AS/ES v2.6.9-34.EL, U3+ AS/ES v2.6.9-34.0.1.EL, U3+ AS/ES v2.6.9-34.0.2.EL	PCI-X	Bull 2Gbps FC Mezzanine Card – Dual port for NovaScale Blade Series CFSN202-110075	FC-SW	Intel SSR212PPf	Y
395	IBM BladeCenter HS20 (Model: 7981), 8678)19, 8832)19, 8832-N1X), 8843); IBM BladeCenter HS40 (Model 8839)	Red Hat RHEL [32-Bit] 4.0: U2 AS/ES v2.6.9-22.EL, U2+ AS/ES v2.6.9-22.0.1.EL, U2+ AS/ES v2.6.9-22.0.2.EL	PCI-X	IBM HS20 FC Exp Card: (13N2203)2, 6, 7, (48P7061)2, 6, 7	FC-SW	Intel SSR212PPf	Y10, 11
396	IBM BladeCenter HS20 (Model 8843)	Red Hat RHEL [32-Bit] 4.0: U2 AS/ES v2.6.9-22.EL, U2+ AS/ES v2.6.9-22.0.1.EL, U2+ AS/ES v2.6.9-22.0.2.EL	PCI-X	IBM HS20: 4GB SFF FC Exp Card (26R0890)2, 21, 22, 58, FC Exp Card (26K4841)2, 6, 7	FC-SW	Intel SSR212PPf	Y10, 11
397	IBM BladeCenter LS20 (Model 8850)	Red Hat RHEL [32-Bit] 4.0: U2 AS/ES v2.6.9-22.EL, U2+ AS/ES v2.6.9-22.0.1.EL, U2+ AS/ES v2.6.9-22.0.2.EL	PCI-X	IBM HS20: 4GB SFF FC Exp Card (26R0890)2, 22, FC Exp Card (13N2203) for IBM eServer LS202, 6, 7, FC SFF Exp Card (26K4841) for IBM eServer LS202, 6, 7	FC-SW	Intel SSR212PPf	Y10, 11
398	IBM BladeCenter HS20 (Model: 7981), 8678)19, 8832)19, 8832-N1X), 8843); IBM BladeCenter: HS40 (Model 8839), LS20 (Model 8850)	Red Hat RHEL [32-Bit] 4.0: U2 AS/ES v2.6.9-22.EL, U2+ AS/ES v2.6.9-22.0.1.EL, U2+ AS/ES v2.6.9-22.0.2.EL	PCI-X	IBM: Emulex LP1005DC FC Exp Card1, 2, 51, 61, HS20 4GB Standard FC Exp Card (26R0884)2, 7, 20	FC-SW	Intel SSR212PPf	Y10, 11
399	Bull NovaScale 2320	Red Hat RHEL [32-Bit] 4.0: U3 AS/ES v2.6.9-34.EL, U3+ AS/ES v2.6.9-34.0.1.EL, U3+ AS/ES v2.6.9-34.0.2.EL	PCI-X	Bull 2Gbps FC Mezzanine Card – Dual port: for NovaScale Blade Series CFSN202-110040, 41, mini for NovaScale Blade 2021 CFSN202-210040, 42; Bull SBEFCM (SFF) Mezzanine: HBA2, 75, HBA40, 41; Bull SBEFCM4 (SFF) 4Gb Mezzanine HBA39, 41	FC-SW	Intel SSR212PPf	Y
400	Digital Henge PowerBlade BS200L	Red Hat RHEL [32-Bit] 4.0: U3 AS/ES v2.6.9-34.EL, U3+ AS/ES v2.6.9-34.0.1.EL, U3+ AS/ES v2.6.9-34.0.2.EL	PCI-X	Digital Henge Digital Henge: SBEFCM42, 39, 41, SBEFCM40, 41, SBFCM40, 41; Digital Henge Intel (r) Fibre Channel Module AHWFCMOD2, 40, 41	FC-SW	Intel SSR212PPf	Y
401	IBM BladeCenter: HS20 (Model 8843), HS21 (Model 8853)69	Red Hat RHEL [32-Bit] 4.0: U3 AS/ES v2.6.9-34.EL, U3+ AS/ES v2.6.9-34.0.1.EL, U3+ AS/ES v2.6.9-34.0.2.EL	PCI-X	IBM HS20 4GB SFF FC Exp Card (26R0890)2, 21, 22, 41	FC-SW	Intel SSR212PPf	Y
402	IBM BladeCenter: HS21 (Model 8853)69 , LS20 (Model 8850)	Red Hat RHEL [32-Bit] 4.0: U3 AS/ES v2.6.9-34.EL, U3+ AS/ES v2.6.9-34.0.1.EL, U3+ AS/ES v2.6.9-34.0.2.EL	PCI-X	IBM HS20 4GB SFF FC Exp Card (26R0890)2, 22, 41	FC-SW	Intel SSR212PPf	Y
403	IBM BladeCenter HS20 (Model 8843)	Red Hat RHEL [32-Bit] 4.0: U3 AS/ES v2.6.9-34.EL, U3+ AS/ES v2.6.9-34.0.1.EL, U3+ AS/ES v2.6.9-34.0.2.EL	PCI-X	IBM HS20 FC Exp Card (26K4841)2, 6, 41	FC-SW	Intel SSR212PPf	Y
404	IBM BladeCenter HS20 (Model: 7981), 8678)19, 8832)19, 8832-N1X), 8843); IBM BladeCenter: HS21 (Model 8853)69 , HS40 (Model 8839)	Red Hat RHEL [32-Bit] 4.0: U3 AS/ES v2.6.9-34.EL, U3+ AS/ES v2.6.9-34.0.1.EL, U3+ AS/ES v2.6.9-34.0.2.EL	PCI-X	IBM HS20 FC Exp Card: (13N2203)2, 6, 41, (48P7061)2, 6, 41	FC-SW	Intel SSR212PPf	Y
405	IBM BladeCenter LS20 (Model 8850)	Red Hat RHEL [32-Bit] 4.0: U3 AS/ES v2.6.9-34.EL, U3+ AS/ES v2.6.9-34.0.1.EL, U3+ AS/ES v2.6.9-34.0.2.EL	PCI-X	IBM HS20 FC: Exp Card (13N2203) for IBM eServer LS202, 6, 41, SFF Exp Card (26K4841) for IBM eServer LS202, 6, 41	FC-SW	Intel SSR212PPf	Y
406	IBM BladeCenter HS20 (Model: 7981), 8678)19, 8832)19, 8832-N1X), 8843); IBM BladeCenter: HS40 (Model 8839), LS20 (Model 8850)	Red Hat RHEL [32-Bit] 4.0: U3 AS/ES v2.6.9-34.EL, U3+ AS/ES v2.6.9-34.0.1.EL, U3+ AS/ES v2.6.9-34.0.2.EL	PCI-X	IBM: Emulex LP1005DC FC Exp Card1, 2, 52, 61, HS20 4GB Standard FC Exp Card (26R0884)2, 20, 41	FC-SW	Intel SSR212PPf	Y
407	Bull NovaScale 2320	Red Hat RHEL [32-Bit] 4.0: U4 AS/ES v2.6.9-42.EL, U4+ AS/ES v2.6.9-42.0.2.EL	PCI-X	Bull 2Gbps FC Mezzanine Card – Dual port for NovaScale Blade Series: CFSN202-11005, 40, CFSN202-11005, 75; Bull 2Gbps FC Mezzanine Card – Dual port mini for NovaScale Blade 2021: CFSN202-21005, 40, CFSN202-21005, 75; Bull SBEFCM (SFF) Mezzanine: HBA2, 5, 75, HBA5, 40; Bull SBEFCM4 (SFF) 4Gb Mezzanine HBA5, 39	FC-SW	Intel SSR212PPf	Y
Red Hat RHEL [32-Bit]							
No.	Host System	Operating System	Host Bus	Host Bus Adapter	Topology	Storage Array	External Boot
408	Digital Henge PowerBlade BS200L	Red Hat RHEL [32-Bit] 4.0: U4 AS/ES v2.6.9-42.EL, U4+ AS/ES v2.6.9-42.0.2.EL	PCI-X	Digital Henge Digital Henge: SBEFCM42, 5, 39, SBEFCM5, 40, SBFCM5, 40; Digital Henge Intel (r) Fibre Channel Module AHWFCMOD2, 5, 40	FC-SW	Intel SSR212PPf	Y
409	IBM BladeCenter: HS20 (Model 8843), HS21 (Model 8853)69	Red Hat RHEL [32-Bit] 4.0: U4 AS/ES v2.6.9-42.EL, U4+ AS/ES v2.6.9-42.0.2.EL	PCI-X	IBM HS20 4GB SFF FC Exp Card (26R0890)2, 5, 21, 22	FC-SW	Intel SSR212PPf	Y

Intel® Storage System SSR212PP-Series

Red Hat* Linux (32-Bit)

410	IBM BladeCenter: HS21 (Model 8853)69 , LS20 (Model 8850), LS21 (Model 7971), LS41 (Model 7972)	Red Hat RHEL [32-Bit] 4.0: U4 AS/ES v2.6.9-42.EL, U4+ AS/ES v2.6.9-42.0.2.EL	PCI-X	IBM HS20 4GB SFF FC Exp Card (26R0890)2, 5, 22	FC-SW	Intel SSR212PPf	Y
411	IBM BladeCenter: HS20 (Model 8843), LS20 (Model 8850), LS21 (Model 7971), LS41 (Model 7972)	Red Hat RHEL [32-Bit] 4.0: U4 AS/ES v2.6.9-42.EL, U4+ AS/ES v2.6.9-42.0.2.EL	PCI-X	IBM HS20 FC Exp Card (26K4841)2, 5, 6	FC-SW	Intel SSR212PPf	Y
412	IBM BladeCenter HS20 (Model: 7981), 8678)19, 8832)19, 8832-N1X), 8843); IBM BladeCenter: HS21 (Model 8853)69 , HS40 (Model 8839)	Red Hat RHEL [32-Bit] 4.0: U4 AS/ES v2.6.9-42.EL, U4+ AS/ES v2.6.9-42.0.2.EL	PCI-X	IBM HS20 FC Exp Card: (13N2203)2, 5, 6, (48P7061)2, 5, 6	FC-SW	Intel SSR212PPf	Y
413	IBM BladeCenter LS20 (Model 8850)	Red Hat RHEL [32-Bit] 4.0: U4 AS/ES v2.6.9-42.EL, U4+ AS/ES v2.6.9-42.0.2.EL	PCI-X	IBM HS20 FC: Exp Card (13N2203) for IBM eServer LS202, 5, 6, SFF Exp Card (26K4841) for IBM eServer LS202, 5, 6	FC-SW	Intel SSR212PPf	Y
414	IBM BladeCenter HS20 (Model: 7981), 8678)19, 8832)19, 8832-N1X), 8843); IBM BladeCenter: HS40 (Model 8839), LS20 (Model 8850)	Red Hat RHEL [32-Bit] 4.0: U4 AS/ES v2.6.9-42.EL, U4+ AS/ES v2.6.9-42.0.2.EL	PCI-X	IBM: Emulex LP1005DC FC Exp Card 1, 2, 4, 61, HS20 4GB Standard FC Exp Card (26R0884)2, 5, 20	FC-SW	Intel SSR212PPf	Y
415	Bull NovaScale 2320	Red Hat RHEL [32-Bit]: 3.0 U7 AS/ES v2.4.21-40.EL30, 31, 4.0 U3 AS/ES v2.6.9-34.EL, 4.0 U3+ AS/ES v2.6.9-34.0.1.EL, 4.0 U3+ AS/ES v2.6.9-34.0.2.EL	PCI-X	Bull 2Gbps FC Mezzanine Card – Dual port mini for NovaScale Blade 2021 CFSN202-210075	FC-SW	Intel SSR212PPf	Y

1. BIOS 1.70a3 Available in the EMC-approved section of the Emulex website. <http://www.emulex.com>
2. SNIA HBA API Supported.
3. Firmware Version 1.91a5
4. Driver Version 8.0.16.27 Driver is integrated into the kernel.
5. Driver Version 8.01.04-d7 Driver is integrated into the kernel.
6. BIOS 1.47 Available in the EMC-approved section of the QLogic website. <http://www.qlogic.com>
7. Driver Version 8.01.00 Available in the EMC-approved section of the QLogic website. <http://www.qlogic.com>
8. BIOS 1.17 Available in the EMC-approved section of the QLogic website. <http://www.qlogic.com>
9. HPQ (Compaq) Proliant server models that are not listed in the ESM but are only differentiated from supported models by an "R" designator, are rack-mountable servers and are supported.
10. Booting from the SAN with PowerPath is supported. Refer to the Path Management Software section for supported versions of PowerPath.
11. VxVM is not supported on servers booting from the array.
12. 4GB HBAs are not supported in this server. RPQs for 4GB HBAs will not be approved for this server.
13. Firmware Version 1.91a5 Available in the EMC-approved section of the Emulex website. <http://www.emulex.com>
14. BIOS 1.05 Available in the EMC-approved section of the QLogic website. <http://www.qlogic.com>
15. Requires BIOS 1.05 available from the EMC-approved section of the QLogic website at <http://www.qlogic.com>
16. This HBA is equivalent to the QLogic QLA2340.
17. Firmware Version 2.50a6
18. BIOS 1.08 Available in the EMC-approved section of the QLogic website. <http://www.qlogic.com>
19. EMC VolumeLogix Software required for multiple BladeServers when direct-attached to EMC Symmetrix storage.
20. BIOS 1.12 Available in the EMC-approved section of the QLogic website. <http://www.qlogic.com>
21. Available in the EMC-approved section of the QLogic website. <http://www.qlogic.com>
22. BIOS 1.12
23. EMC supported drivers, firmware, and boot BIOS can be downloaded from <http://www.emulex.com> in the EMC section, by obtaining the supported driver for the Emulex LP1050-E.
24. BIOS 1.16
25. Firmware Version 2.50a8 Available in the EMC-approved section of the Emulex website. <http://www.emulex.com>
26. BIOS 1.23 Available in the EMC-approved section of the QLogic website. <http://www.qlogic.com>
27. Firmware Version 2.50a6 Available in the EMC-approved section of the Emulex website. <http://www.emulex.com>
28. BIOS 6.00a1 Available in the EMC-approved section of the Emulex website. <http://www.emulex.com>
29. Driver Version 7.07.00 Available in the EMC-approved section of the QLogic website. <http://www.qlogic.com>
30. Red Hat does not currently support reiserfs on RHEL 3.0. As a result, EMC supports only the ext2 and ext3 filesystems on RHEL 3.0. If there is a customer requirement for a different filesystem, please submit an RPQ.
31. The LVM included as part of this update is supported and can be used in conjunction with PowerPath emcpower pseudo device file names as well as native sd device file names.
32. Driver Version 7.3.3 Driver is integrated into the kernel.
33. Powerpath is supported in boot from SAN configurations for Windows 2003 systems running STORPort drivers (QLogic & Emulex). Windows 2003 servers using STORPort drivers require a Microsoft STORPort hotfix installed to boot with Powerpath. Please see your driver's requirements for the STORPort hotfix (QFE) version.
34. Firmware Version 2.50a8
35. Driver Version 8.01.02-d4 Available in the EMC-approved section of the QLogic website. <http://www.qlogic.com> Driver is integrated into the kernel.
36. Driver Version 8.01.02-d4 Available in the EMC-approved section of the QLogic website. <http://www.qlogic.com>
37. Driver Version 7.07.00
38. Driver Version 7.3.6 Driver is integrated into the kernel.
39. BIOS 1.12 Requires BIOS 1.12 available in the EMC-approved section of the QLogic website at <http://www.qlogic.com>
40. BIOS 1.43 Supports BIOS 1.43. Available at <http://www.qlogic.com>
41. Driver Version 8.01.02-d4 Driver is integrated into the kernel.
42. Driver Version 8.01.-2-d4 Driver is integrated into the kernel.
43. Driver Version 7.07.04b6 Driver is integrated into the kernel.
44. Driver Version 7.07.04-b6 Driver is integrated into the kernel.
45. BIOS 1.02 Driver/BIOS are available at <http://www.qlogic.com>
46. Driver Version 8.01.06 Driver/BIOS are available at <http://www.qlogic.com>
47. Booting from the SAN with PowerPath is not supported.
48. Driver Version 8.01.05 Driver/BIOS are available at <http://www.qlogic.com>
49. **FSC Fibre Channel module. Dual channel 2GBit/s HBA for BX6xx-series blade servers only.**
50. Driver Version 7.07.05 Driver/BIOS are available at <http://www.qlogic.com>
51. Driver Version 8.0.16.17 Driver is integrated into the kernel.
52. Driver Version 8.0.16.18 Driver is integrated into the kernel.
53. BIOS 1.11 Available in the EMC-approved section of the QLogic website. <http://www.qlogic.com>
54. Driver Version 7.3.2 Driver is integrated into the kernel.

55. Firmware Version 1.91a2 Available in the EMC-approved section of the Emulex website. <http://www.emulex.com>
56. FCode Value 1.70a3 Available in the EMC-approved section of the Emulex website. <http://www.emulex.com>
57. Dual port PCI-X fibre channel mezzanine card option is embedded. No PCI/PCI-X slots available.
58. Driver Version 8.01.00
59. dual core machine not support
60. Driver Version 8.0.16.6_p3 Driver is integrated into the kernel.
61. Firmware Version 1.90a5 Available in the EMC-approved section of the Emulex website. <http://www.emulex.com>
62. Support for 4Gb fibre channel HBAs requires an IBM SPORE to be submitted to IBM.
63. This system is supported only when the IBM ServeRAID 8i SAS RAID controller (13N227) is installed or when the server is being booted remotely from external storage.
64. Accepts PCI-X 1.0 and 2.0 HBAs.
65. PowerEdge 2550 and PowerVault 775N support a maximum of 2 Emulex HBAs at one time and the total PCI power cannot exceed 20 Watts.
66. PowerPath is not supported.
67. Firmware Version 2.10.a10 Available in the EMC-approved section of the Emulex website. <http://www.emulex.com>
68. BIOS 1.71.a0 Available in the EMC-approved section of the Emulex website. <http://www.emulex.com>
69. **BladeCenter support for Windows 2000 operating systems requires an IBM SPORE to be submitted to IBM, then if approved by IBM, be subsequently submitted to EMC as an RPQ for review.**
70. PCI-X slots in this server only support low-profile hbas with low-profile brackets. Please ensure your HBA vendor has included the proper bracket to fit this server.
71. Firmware Version 2.10a9 Available in the EMC-approved section of the Emulex website. <http://www.emulex.com>
72. Firmware Version 1.91a1
73. BIOS 1.08 Available in the EMC-approved section of the QLogic website. <http://www.qlogic.com> Available in the EMC-approved section of the Emulex website. <http://www.emulex.com>
74. BIOS 1.05 Available in the EMC-approved section of the QLogic website. <http://www.qlogic.com> Available in the EMC-approved section of the Emulex website. <http://www.emulex.com>
75. BIOS 1.43
76. EMC recommends upgrading to the most recent, EMC-Approved, HBA driver.
77. BIOS 1.45 Available in the EMC-approved section of the QLogic website. <http://www.qlogic.com>
78. BIOS 1.71a0 Available in the EMC-approved section of the Emulex website. <http://www.emulex.com>
79. BIOS 1.70a3
80. Driver Version 7.3.2 Available in the EMC-approved section of the Emulex website. <http://www.emulex.com>
81. For Emulex attach, a LUN within the range of 000 -007 must exist in order for the FC driver to scan all devices. For QLogic attach, LUN 000 must exist in order for the FC driver to scan all devices.
82. BIOS 1.48 Available in the EMC-approved section of the QLogic website. <http://www.qlogic.com>
83. Driver/BIOS are available at <http://www.qlogic.com>
84. BIOS 1.02
85. Driver Version 7.07.05
86. Driver Version 9.1.2.11
87. Driver Version 9.1.2.10
88. Driver Version 9.1.2.15 STORPort Miniport Driver
89. Driver Version 9.1.2.11 END OF LIFE NOTICE: SCSI miniport and SCSI full port drivers are frozen and EOL at this time for Windows 2003 operating systems. EMC recommends migrating to the currently supported STORPort driver for your HBA. EMC will continue to support existing customers who have Windows 2003 SCSI drivers installed, but any fixes or HCL support will require an upgrade to STORPort. Refer to SalesAdvantage articles for the benefits of using STORPort drivers and information on migrating from SCSI to STOR under Windows 2003. SCSI drivers listed in the April 2006 ESM will be the last supported SCSI drivers for Windows 2003. SCSI Miniport (SCSIPort) Driver. EMC recommends using STORPort drivers where available.
90. Driver Version 9.1.2.16 STORPort Miniport Driver
91. Driver Version 8.00.03b-1 Available in the EMC-approved section of the QLogic website. <http://www.qlogic.com>
92. Firmware Version 2.50a4 Available in the EMC-approved section of the Emulex website. <http://www.emulex.com>
93. Driver Version 8.01.16.17
94. Driver Version 8.0.16.18
95. Driver Version 7.03.00 Available in the EMC-approved section of the QLogic website. <http://www.qlogic.com>
96. Driver Version 7.01.01 Driver is integrated into the kernel.
97. Tested as an installable file system on a Linux cluster Ibrx Fusion File system version 1.3 is supported with this configuration. FusionFS Server Appliance Requirements: CPU- x86, Xeon, 3+GHz, 2GB RAM SMP Not Supported NIC -Intel Pro 1000 Server adapter with 5.2.39 or BroadcomBCM5700 Please check E-Lab Navigator for the latest version of PowerPath supported on this configuration.
98. The LVM integrated into the kernel is supported. Please note, however, that the LVM will not recognize PowerPath emcpower pseudo device file names. The native sd device file names must be used.
99. Driver Version 7.1.14 Driver is integrated into the kernel.
100. Driver Version 7.01.01-RH1 Driver is integrated into the kernel.
101. Driver Version 7.1.14 Available in the EMC-approved section of the Emulex website. <http://www.emulex.com>
102. Driver Version 7.1.14 Driver/Firmware available at <http://www.emulex.com>
103. Driver Version 2.02e Driver/Firmware available at <http://www.emulex.com>
104. Driver Version 7.1.14
105. Firmware Version 2.50a8 Available in the EMC-approved section of the Emulex website. <http://www.emulex.com> Driver is integrated into the kernel.
106. Driver Version 7.03.00
107. Driver Version 7.03.00 QLogic driver obtained from <http://www.qlogic.com>
108. Driver Version 8.0.16.6_x2 Driver is integrated into the kernel.
109. Firmware Version 2.50a8 Driver is integrated into the kernel.
110. Driver Version 8.0.16.6_x2
111. Driver Version 8.0.16.6_x2-2

SuSE SLES [32-Bit]							
No.	Host System	Operating System	Host Bus	Host Bus Adapter	Topology	Storage Array	External Boot
1	Fujitsu Siemens Primergy: BX620 S3, BX630 (2-way), BX630 (4-way)	SuSE SLES [32-Bit] 105, 6, 7, 8, 9	PCI	Emulex LP1050-E2, 19, 45, 46	FC-AL, FC-SW	Intel SSR212PPf	Y
2	HPQ Proliant BL465c: (403433-B21), (403434-B21), (407234-B21), (407235-B21)	SuSE SLES [32-Bit] 105, 6, 7, 8, 9	PCI Express	HPQ Emulex LPe1105-HP 4Gb FC HBA for HP c-Class Bladesystem (403621-B21)54, 55, 56	FC-AL, FC-SW	Intel SSR212PPf	Y21, 22, Y57
3	HPQ Proliant BL465c: (403433-B21), (403434-B21), (407234-B21), (407235-B21)	SuSE SLES [32-Bit] 105, 6, 7, 8, 9	PCI Express	HPQ QLogic QMH2462 4Gb FC HBA for HP c-Class Bladesystem (403619-B21)15, 51	FC-AL, FC-SW	Intel SSR212PPf	N
4	HPQ Proliant BL465c: (403433-B21), (403434-B21), (407234-B21), (407235-B21)	SuSE SLES [32-Bit] 105, 6, 7, 8, 9	PCI Express	HPQ: Emulex LPe1105-HP 4Gb FC HBA for HP c-Class Bladesystem (403621-B21)54, 55, 56, QLogic QMH2462 4Gb FC HBA for HP c-Class Bladesystem (403619-B21)15, 51	FC-AL, FC-SW	Intel SSR212PPf	Y
5	Dell PowerEdge 1950	SuSE SLES [32-Bit] 105, 6, 7, 8, 9	PCI Express	QLogic QLE220-E-SP2, 13, 14	FC-AL, FC-SW	Intel SSR212PPf	Y
6	Dell PowerEdge: 1850, 1900, 2850, 2900, 2950, 6800, 6850, 6950; Digital Henge Rev0: AS1500, AS1550, AS2500; Intel: SR1500/S5000PAL, SR2500/S5000PAL	SuSE SLES [32-Bit] 105, 6, 7, 8, 9	PCI Express, PCI-X	QLogic QLE220-E-SP2, 13, 14	FC-AL, FC-SW	Intel SSR212PPf	Y
7	Dell PowerEdge: 1800, 2800	SuSE SLES [32-Bit] 105, 6, 7, 8, 9	PCI, PCI Express, PCI-X	QLogic QLE220-E-SP2, 13, 14	FC-AL, FC-SW	Intel SSR212PPf	Y
8	Dell PowerEdge: 1550, 2300, 2400, 2450, 2500, 255052, 4300, 4350, 4400, 6100, 6300, 6350, 6400, 6450, 8450; HPQ Proliant: DL32048, DL360(G2)48, DL36048, DL380(G2)48, DL380(G3)48, DL38048, DL580(G2)48, DL58048, ML350(G2)48, ML350(G3)48, ML35048, ML370(G2)48, ML37048, ML530(G2)48, ML530(G3)48, ML53048, ML57048, ML75048	SuSE SLES [32-Bit] 9 SP2+: v2.6.5-7.201, v2.6.5-7.202.7	PCI	Emulex LP101-E2, 19, 25, 36; QLogic: QLA200-E-SP2, 32, 50, QLA210-E-SP2, 32, 50, QLA2340-E-SP3, 32	FC-AL, FC-SW	Intel SSR212PPf	Y21, 22
9	Fujitsu Siemens Primergy BX630: (2-way), (4-way)	SuSE SLES [32-Bit] 9 SP2+: v2.6.5-7.201, v2.6.5-7.202.7	PCI	Emulex LP1050-E2, 19, 31, 45; Fujitsu Siemens BX600-FC22Q2, 3, 27, 28	FC-AL, FC-SW	Intel SSR212PPf	Y
10	Dell PowerEdge: 1550, 2300, 2400, 2450, 2500, 255052, 4300, 4350, 4400, 6100, 6300, 6350, 6400, 6450, 8450	SuSE SLES [32-Bit] 9 SP2+: v2.6.5-7.201, v2.6.5-7.202.7	PCI	Emulex: LP1050-E2, 19, 20, 25, LP982-E2, 19, 25; QLogic QLA2340-E-SP2, 3, 32	FC-AL, FC-SW	Intel SSR212PPf	Y21, 22
11	HPQ Proliant: DL32048, DL360(G2)48, DL36048, DL58048, ML350(G2)48, ML350(G3)48, ML35048, ML370(G2)48, ML37048, ML530(G2)48, ML530(G3)48, ML53048, ML57048, ML75048	SuSE SLES [32-Bit] 9 SP2+: v2.6.5-7.201, v2.6.5-7.202.7	PCI	Emulex: LP1050-E19, 20, 25, LP982-E19, 25	FC-AL, FC-SW	Intel SSR212PPf	Y21, 22
12	Dell PowerEdge: 1800, 1850, 1950, 2800, 2850, 6800, 6850; Digital Henge INNO: HR-4850, HR-6850; Digital Henge Rev0: JS1400, JS2400; IBM xSeries x336 (8837)44; LangChao: NC3000, NC3500, NF520; Lenovo SureServer: R650, T650; Samsung: ZSS150, ZSS230	SuSE SLES [32-Bit] 9 SP2+: v2.6.5-7.201, v2.6.5-7.202.7	PCI Express	Emulex LP1050Ex-E2, 19, 24, 36; QLogic QLE2360-E-SP2, 32, 34, 35	FC-AL, FC-SW	Intel SSR212PPf	Y21, 22
13	Dell PowerEdge: 1800, 1850, 1950, 2800, 2850, 6800, 6850; Digital Henge INNO: HR-4850, HR-6850; Digital Henge Rev0: JS1400, JS2400; HPQ Proliant: DL360(G4)48, DL380(G4)48, ML350(G4)48, ML370(G4)48; LangChao: NC3000, NC3500, NF520; Lenovo SureServer: R650, T650; Samsung: ZSS150, ZSS230	SuSE SLES [32-Bit] 9 SP2+: v2.6.5-7.201, v2.6.5-7.202.7	PCI Express	Emulex LPe111-E2, 19, 29, 31	FC-AL, FC-SW	Intel SSR212PPf	Y21, 22
SuSE SLES [32-Bit]							
No.	Host System	Operating System	Host Bus	Host Bus Adapter	Topology	Storage Array	External Boot
14	HPQ Proliant: DL360(G4)48, DL380(G4)48, ML350(G4)48, ML370(G4)48	SuSE SLES [32-Bit] 9 SP2+: v2.6.5-7.201, v2.6.5-7.202.7	PCI Express	Emulex LPe1150-E2, 19, 23, 25; HPQ A8002A/FC2142SR (LPe1150)2, 19, 24, 49	FC-AL, FC-SW	Intel SSR212PPf	Y21, 22
15	Dell PowerEdge: 1800, 1850, 1950, 2800, 2850, 6800, 6850; Digital Henge INNO: HR-4850, HR-6850; Digital Henge Rev0: JS1400, JS2400;	SuSE SLES [32-Bit] 9 SP2+: v2.6.5-7.201, v2.6.5-7.202.7	PCI Express	Emulex LPe1150-E2, 19, 23, 33; QLogic QLE2460-E-SP2, 26, 32	FC-AL, FC-SW	Intel SSR212PPf	Y21, 22

	LangChao: NC3000, NC3500, NF520; Lenovo SureServer: R650, T650; Samsung: ZSS150, ZSS230						
16	Dell PowerEdge: 2900, 2950, 6950	SuSE SLES [32-Bit] 9 SP2+: v2.6.5-7.201, v2.6.5-7.202.7	PCI Express, PCI-X	Emulex: LP101-E2, 19, 24, 36, LP1050-E2, 19, 20, 24, LP982-E2, 19, 24; QLogic QLA2340-E-SP2, 3, 32	FC-AL, FC-SW	Intel SSR212PPf	Y21, 22
17	HPQ Proliant ML350(G4)48	SuSE SLES [32-Bit] 9 SP2+: v2.6.5-7.201, v2.6.5-7.202.7	PCI Express, PCI-X	Emulex: LP101-E2, 19, 25, 36, LP1050-E19, 20, 25, LP982-E19, 25; HPQ: AB429A/FC1143 (QLA2460)2, 32, 62, AE369A/FC1243 (QLA2462)2, 32, 62; QLogic: QLA200-E-SP2, 32, 50, QLA210-E-SP2, 32, 50, QLA2340-E-SP3, 32	FC-AL, FC-SW	Intel SSR212PPf	Y21, 22
18	Dell PowerEdge: 2900, 2950, 6950; IBM eServer 326m (Model 7969)	SuSE SLES [32-Bit] 9 SP2+: v2.6.5-7.201, v2.6.5-7.202.7	PCI Express, PCI-X	Emulex: LP1050Ex-E2, 19, 24, 36, LPe111-E2, 19, 29, 31, LPe1150-E2, 19, 23, 33; QLogic: QLE2360-E-SP2, 32, 34, 35, QLE2460-E-SP2, 26, 32	FC-AL, FC-SW	Intel SSR212PPf	Y21, 22
19	Fujitsu Siemens Primergy RX220	SuSE SLES [32-Bit] 9 SP2+: v2.6.5-7.201, v2.6.5-7.202.7	PCI Express, PCI-X	Emulex: LP1050Ex-E2, 19, 24, LPe1150-E2, 19, 23, LPe1150-E2, 19, 23, 25	FC-AL, FC-SW	Intel SSR212PPf	Y21, 22
20	Dell PowerEdge 1855; Unisys ES3105	SuSE SLES [32-Bit] 9 SP2+: v2.6.5-7.201, v2.6.5-7.202.7	PCI-X	Dell 2342M3, 32	FC-AL, FC-SW	Intel SSR212PPf	Y21, 22
21	Dell PowerEdge 1855	SuSE SLES [32-Bit] 9 SP2+: v2.6.5-7.201, v2.6.5-7.202.7	PCI-X	Dell: LPe1105-M2, 19, 23, 24, QME24622, 32, 53	FC-AL, FC-SW	Intel SSR212PPf	Y21, 22
22	Dell PowerEdge: 1600SC, 1650, 1750, 4600, 6600, 6650; HPQ Proliant: BL40p, DL360(G3)48, DL360(G4)48, DL56048, DL74048, DL760 (G2)48, DL76048, ML570(G2)48	SuSE SLES [32-Bit] 9 SP2+: v2.6.5-7.201, v2.6.5-7.202.7	PCI-X	Emulex LP101-E2, 19, 25, 36; QLogic: QLA200-E-SP2, 32, 50, QLA210-E-SP2, 32, 50, QLA2340-E-SP3, 32	FC-AL, FC-SW	Intel SSR212PPf	Y21, 22
23	HPQ Proliant: BL40p, DL360(G3)48, DL360(G4)48, DL56048, DL760 (G2)48, DL76048, ML570(G2)48	SuSE SLES [32-Bit] 9 SP2+: v2.6.5-7.201, v2.6.5-7.202.7	PCI-X	Emulex LP1050-E19, 20, 25	FC-AL, FC-SW	Intel SSR212PPf	Y21, 22
24	HPQ Proliant DL760 (G2)48	SuSE SLES [32-Bit] 9 SP2+: v2.6.5-7.201, v2.6.5-7.202.7	PCI-X	Emulex LP982-E19	FC-AL, FC-SW	Intel SSR212PPf	Y21, 22
25	HPQ Proliant: BL40p, DL360(G3)48, DL360(G4)48, DL56048, DL76048, ML570(G2)48	SuSE SLES [32-Bit] 9 SP2+: v2.6.5-7.201, v2.6.5-7.202.7	PCI-X	Emulex LP982-E19, 25	FC-AL, FC-SW	Intel SSR212PPf	Y21, 22
26	Dell PowerEdge: 6800, 6850; Digital Henge SH4500R4; IBM xSeries: x336 (8837)44, x346 (8840)44, x3850/x366 (8863)41, 42; LangChao: NC2000, NC3000, NC3500, NF420, NF500, NF520; Lenovo SureServer R630: 6003, 6004; Lenovo SureServer: R650, T630 6003, T650; Samsung: SS210, SS370, SS3840, ZSS150, ZSS230	SuSE SLES [32-Bit] 9 SP2+: v2.6.5-7.201, v2.6.5-7.202.7	PCI-X	Emulex: LP101-E2, 19, 24, 36, LP1050-E2, 19, 20, 24, LP982-E2, 19, 24	FC-AL, FC-SW	Intel SSR212PPf	Y21, 22
27	Dell PowerEdge: 1600SC, 1650, 1750, 4600, 6600, 6650	SuSE SLES [32-Bit] 9 SP2+: v2.6.5-7.201, v2.6.5-7.202.7	PCI-X	Emulex: LP1050-E2, 19, 20, 25, LP982-E2, 19, 25	FC-AL, FC-SW	Intel SSR212PPf	Y21, 22
28	HPQ Proliant DL360(G4)48	SuSE SLES [32-Bit] 9 SP2+: v2.6.5-7.201, v2.6.5-7.202.7	PCI-X	HPQ: AB429A/FC1143 (QLA2460)2, 32, 62, AE369A/FC1243 (QLA2462)2, 32, 62	FC-AL, FC-SW	Intel SSR212PPf	Y21, 22
29	Dell PowerEdge: 1600SC, 1650, 1750, 6800, 6850; Digital Henge SH4500R4; IBM xSeries: x336 (8837)44, x346 (8840)44, x3850/x366 (8863)41, 42; LangChao: NC2000, NC3000, NC3500, NF420, NF500, NF520; Lenovo SureServer R630: 6003, 6004; Lenovo SureServer: R650, T630 6003, T650; Samsung: SS210, SS370, SS3840, ZSS150, ZSS230	SuSE SLES [32-Bit] 9 SP2+: v2.6.5-7.201, v2.6.5-7.202.7	PCI-X	QLogic QLA2340-E-SP2, 3, 32	FC-AL, FC-SW	Intel SSR212PPf	Y21, 22
30	IBM xSeries: x3800/x260 (8865)41, 42, x3950/x3950E/x460 (8872, 8874)41, 42	SuSE SLES [32-Bit] 9 SP2+: v2.6.5-7.201, v2.6.5-7.202.7	PCI-X43	Emulex: LP101-E2, 19, 24, 36, LP1050-E2, 19, 20, 24, LP982-E2, 19, 24; QLogic QLA2340-E-SP2, 3, 32	FC-AL, FC-SW	Intel SSR212PPf	Y21, 22

SuSE SLES [32-Bit]

No.	Host System	Operating System	Host Bus	Host Bus Adapter	Topology	Storage Array	External Boot
31	Dell PowerEdge 1955	SuSE SLES [32-Bit] 9 SP2+: v2.6.5-7.201, v2.6.5-7.202.7	PCI, PCI Express, PCI-X	Dell: LPe1105-M2, 19, 23, 24, QME24622, 32, 53	FC-AL, FC-SW	Intel SSR212PPf	Y21, 22

Intel® Storage System SSR212PP-Series

SuSE* Linux (32-Bit)

32	HPQ Proliant DL38048	SuSE SLES [32-Bit] 9 SP2+: v2.6.5-7.201, v2.6.5-7.202.7	PCI, PCI-X	Emulex LP982-E19	FC-AL, FC-SW	Intel SSR212PP f	Y21, 22
33	HPQ Proliant: DL14548, DL380(G2)48 , DL380(G3)48, DL380(G4)48, DL38548 , DL580(G2)48, DL58548, ML370(G3)48 , ML370(G4)48	SuSE SLES [32-Bit] 9 SP2+: v2.6.5-7.201, v2.6.5-7.202.7	PCI, PCI-X	Emulex LP982-E19, 25	FC-AL, FC-SW	Intel SSR212PP f	Y21, 22
34	Dell PowerEdge: 1800, 1850, 2600, 2650, 2800, 2850; Samsung: ES470, ES570, SS140	SuSE SLES [32-Bit] 9 SP2+: v2.6.5-7.201, v2.6.5-7.202.7	PCI, PCI-X	Emulex: LP101-E2, 19, 24, 36, LP1050-E2, 19, 20, 24, LP982-E2, 19, 24; QLLogic QLA2340-E-SP2, 3, 32	FC-AL, FC-SW	Intel SSR212PP f	Y21, 22
35	HPQ Proliant: DL14548, DL380(G2)48 , DL380(G3)48, DL380(G4)48, DL38048, DL38548 , DL580(G2)48, DL58548, ML370(G3)48 , ML370(G4)48	SuSE SLES [32-Bit] 9 SP2+: v2.6.5-7.201, v2.6.5-7.202.7	PCI, PCI-X	Emulex: LP101-E2, 19, 25, 36, LP1050-E19, 20, 25; QLLogic: QLA200-E-SP2, 32, 50, QLA210-E-SP2, 32, 50	FC-AL, FC-SW	Intel SSR212PP f	Y21, 22
36	HPQ Proliant: DL380(G4)48, DL38548, DL58548 , ML370(G4)48	SuSE SLES [32-Bit] 9 SP2+: v2.6.5-7.201, v2.6.5-7.202.7	PCI, PCI-X	HPQ: AB429A/FC1143 (QLA2460)2, 32, 62, AE369A/FC1243 (QLA2462)2, 32, 62	FC-AL, FC-SW	Intel SSR212PP f	Y21, 22
37	HPQ Proliant: DL14548, DL380(G4)48, DL38548 , DL580(G2)48, DL58548, ML370(G3)48 , ML370(G4)48	SuSE SLES [32-Bit] 9 SP2+: v2.6.5-7.201, v2.6.5-7.202.7	PCI, PCI-X	QLLogic QLA2340-E-SP3, 32	FC-AL, FC-SW	Intel SSR212PP f	Y21, 22
38	HPQ Proliant DL580(G3)48	SuSE SLES [32-Bit] 9 SP2+: v2.6.5-7.2015, 6, 9, v2.6.5-7.202.7	PCI Express	Emulex: LPe111-E2, 19, 29, 31, LPe1150-E2, 19, 23, 25; HPQ A8002A/FC2142SR (LPe1150)2, 19, 24, 49	FC-AL, FC-SW	Intel SSR212PP f	Y21, 22
39	HPQ Proliant DL580(G3)48	SuSE SLES [32-Bit] 9 SP2+: v2.6.5-7.2015, 6, 9, v2.6.5-7.202.7	PCI, PCI-X	Emulex: LP101-E2, 19, 25, 36, LP1050-E19, 20, 25, LP982-E19, 25; QLLogic: QLA200-E-SP2, 32, 50, QLA210-E-SP2, 32, 50, QLA2340-E-SP3, 32	FC-AL, FC-SW	Intel SSR212PP f	Y21, 22
40	Unisys: ES7000/510, ES7000/520, ES7000/530, ES7000/540	SuSE SLES [32-Bit] 9 SP3: v2.6.5-7.244, v2.6.5-7.2445, 6, 9; SuSE SLES [32-Bit] 9 SP3+: v2.6.5-7.252, v2.6.5-7.257, v2.6.5-7.267, v2.6.5-7.276, v2.6.5-7.282	PCI	Unisys: FCH732213-P64 (LP9002L-F2)18, 19, 40, FCH742313-P64 (LP9802)18, 19, 36, FCH752313-PCX (LP1050)18, 19, 36	FC-AL, FC-SW	Intel SSR212PP f	Y
41	Unisys ES7000/460 [32-Bit]	SuSE SLES [32-Bit] 9 SP3: v2.6.5-7.244, v2.6.5-7.2445, 6, 9; SuSE SLES [32-Bit] 9 SP3+: v2.6.5-7.252, v2.6.5-7.257, v2.6.5-7.267, v2.6.5-7.276, v2.6.5-7.282	PCI, PCI-X	Unisys: FCH732213-P64 (LP9002L-F2)18, 19, 40, FCH742313-P64 (LP9802)18, 19, 36, FCH752313-PCX (LP1050)18, 19, 36	FC-AL, FC-SW	Intel SSR212PP f	Y
42	Unisys: ES7000/510, ES7000/520, ES7000/530, ES7000/540	SuSE SLES [32-Bit] 9: SP3 v2.6.5-7.244, SP3+ v2.6.5-7.252, SP3+ v2.6.5-7.257, SP3+ v2.6.5-7.267, SP3+ v2.6.5-7.276, SP3+ v2.6.5-7.282	PCI	Unisys: FCH732213-P64 (LP9002L-F2)18, 19, 40, FCH742313-P64 (LP9802)18, 19, 36, FCH752313-PCX (LP1050)18, 19, 36	FC-AL, FC-SW	Intel SSR212PP f	Y4
43	IBM xSeries x3455 (7984)	SuSE SLES [32-Bit] 9: SP3 v2.6.5-7.244, SP3+ v2.6.5-7.252, SP3+ v2.6.5-7.257, SP3+ v2.6.5-7.267, SP3+ v2.6.5-7.276, SP3+ v2.6.5-7.282	PCI Express	Emulex LP1050Ex-E2, 18, 19, 36; IBM: 42C2069 (LPe11000)2, 18, 19, 49, 42C2071 (LPe11002)2, 18, 19, 49; QLLogic: QLE2360-E-SP1, 2, 35, QLE2460-E-SP1, 2, 26	FC-AL, FC-SW	Intel SSR212PP f	Y, Y4
44	HPQ Proliant BL465c: (403433-B21), (403434-B21), (407234-B21), (407235-B21)	SuSE SLES [32-Bit] 9: SP3 v2.6.5-7.244, SP3+ v2.6.5-7.252, SP3+ v2.6.5-7.257, SP3+ v2.6.5-7.267, SP3+ v2.6.5-7.276, SP3+ v2.6.5-7.282	PCI Express	HPQ Emulex LPe1105-HP 4Gb FC HBA for HP c-Class Bladesystem (403621-B21)18, 55, 56	FC-AL, FC-SW	Intel SSR212PP f	Y21, 22, Y57
45	HPQ Proliant BL465c: (403433-B21), (403434-B21), (407234-B21), (407235-B21)	SuSE SLES [32-Bit] 9: SP3 v2.6.5-7.244, SP3+ v2.6.5-7.252, SP3+ v2.6.5-7.257, SP3+ v2.6.5-7.267, SP3+ v2.6.5-7.276, SP3+ v2.6.5-7.282	PCI Express	HPQ QLLogic QMH2462 4Gb FC HBA for HP c-Class Bladesystem (403619-B21)1, 15	FC-AL, FC-SW	Intel SSR212PP f	N
46	HPQ Proliant BL465c: (403433-B21), (403434-B21), (407234-B21), (407235-B21)	SuSE SLES [32-Bit] 9: SP3 v2.6.5-7.244, SP3+ v2.6.5-7.252, SP3+ v2.6.5-7.257, SP3+ v2.6.5-7.267, SP3+ v2.6.5-7.276, SP3+ v2.6.5-7.282	PCI Express	HPQ: Emulex LPe1105-HP 4Gb FC HBA for HP c-Class Bladesystem (403621-B21)18, 55, 56, QLLogic QMH2462 4Gb FC HBA for HP c-Class Bladesystem (403619-B21)1, 15	FC-AL, FC-SW	Intel SSR212PP f	Y
47	Dell PowerEdge 1950	SuSE SLES [32-Bit] 9: SP3 v2.6.5-7.244, SP3+ v2.6.5-7.252, SP3+ v2.6.5-7.257, SP3+ v2.6.5-7.267, SP3+ v2.6.5-7.276, SP3+ v2.6.5-7.282	PCI Express	QLLogic QLE220-E-SP2, 14, 17	FC-AL, FC-SW	Intel SSR212PP f	Y
SuSE SLES [32-Bit]							
No.	Host System	Operating System	Host Bus	Host Bus Adapter	Topology	Storage Array	External Boot
48	Fujitsu Siemens Primergy RX300 S3	SuSE SLES [32-Bit] 9: SP3 v2.6.5-7.244, SP3+ v2.6.5-7.252, SP3+ v2.6.5-7.257, SP3+ v2.6.5-7.267, SP3+ v2.6.5-7.276, SP3+ v2.6.5-7.282	PCI Express	QLLogic: QLA2340-E-SP1, 2, 3, QLA2340-E-SP1, 3, QLA2340-E-SP2, 3, QLA2340-E-SP3	FC-AL, FC-SW	Intel SSR212PP f	Y

49	Fujitsu Siemens Primergy RX220	SuSE SLES [32-Bit] 9: SP3 v2.6.5-7.244, SP3+ v2.6.5-7.252, SP3+ v2.6.5-7.257, SP3+ v2.6.5-7.267, SP3+ v2.6.5-7.276, SP3+ v2.6.5-7.282	PCI Express, PCI-X	Emulex LP1050Ex-E2, 18, 19	FC-AL, FC-SW	Intel SSR212PPf	Y, Y4
50	IBM xSeries: x3550 (7978), x3650 (7979), x3755 (8877)	SuSE SLES [32-Bit] 9: SP3 v2.6.5-7.244, SP3+ v2.6.5-7.252, SP3+ v2.6.5-7.257, SP3+ v2.6.5-7.267, SP3+ v2.6.5-7.276, SP3+ v2.6.5-7.282	PCI Express, PCI-X	Emulex LP1050Ex-E2, 18, 19, 36; IBM: 24P0960 (QLA2340)2, 3, 16, 59, 24P8053 (QLA2342)2, 3, 16, 39M5894 (QLA2460)1, 2, 26, 39M5895 (QLA2462)1, 2, 26; QLogic: QLA2460-E-SP1, 2, 26, QLE2360-E-SP1, 2, 35, QLE2460-E-SP1, 2, 26	FC-AL, FC-SW	Intel SSR212PPf	Y
51	Fujitsu Siemens Primergy RX220; IBM xSeries: x3550 (7978), x3650 (7979), x3755 (8877)	SuSE SLES [32-Bit] 9: SP3 v2.6.5-7.244, SP3+ v2.6.5-7.252, SP3+ v2.6.5-7.257, SP3+ v2.6.5-7.267, SP3+ v2.6.5-7.276, SP3+ v2.6.5-7.282	PCI Express, PCI-X	Emulex LPe1150-E2, 18, 19, 23; QLogic QLA2340-E-SP1, 2, 3	FC-AL, FC-SW	Intel SSR212PPf	Y4
52	IBM xSeries: x3550 (7978), x3650 (7979), x3755 (8877)	SuSE SLES [32-Bit] 9: SP3 v2.6.5-7.244, SP3+ v2.6.5-7.252, SP3+ v2.6.5-7.257, SP3+ v2.6.5-7.267, SP3+ v2.6.5-7.276, SP3+ v2.6.5-7.282	PCI Express, PCI-X	Emulex: LP1050-E2, 18, 19, 20, LP1050Ex-E2, 18, 19, 36, LP1150-E2, 18, 19, 60, LP982-E2, 18, 19, LPe111-E2, 18, 19, 29; IBM: 24P0960 (QLA2340)1, 2, 3, 59, 24P8053 (QLA2342)1, 2, 3, 39M5894 (QLA2460)1, 2, 26, 39M5895 (QLA2462)1, 2, 26; QLogic: QLA2460-E-SP1, 2, 26, QLE2360-E-SP1, 2, 35, QLE2460-E-SP1, 2, 26	FC-AL, FC-SW	Intel SSR212PPf	Y4
53	Dell PowerEdge: 1850, 1900, 2850, 2900, 2950, 6800, 6850, 6950; Digital Henge Rev0: AS1500, AS1550, AS2500; Intel: SR1500/S5000PAL, SR2500/S5000PAL	SuSE SLES [32-Bit] 9: SP3 v2.6.5-7.244, SP3+ v2.6.5-7.252, SP3+ v2.6.5-7.257, SP3+ v2.6.5-7.267, SP3+ v2.6.5-7.276, SP3+ v2.6.5-7.282	PCI Express, PCI-X	QLogic QLE220-E-SP2, 14, 17	FC-AL, FC-SW	Intel SSR212PPf	Y
54	Fujitsu Siemens Primergy: RX200 S3, RX220, RX600 S3, TX300 S3, TX600 S3	SuSE SLES [32-Bit] 9: SP3 v2.6.5-7.244, SP3+ v2.6.5-7.252, SP3+ v2.6.5-7.257, SP3+ v2.6.5-7.267, SP3+ v2.6.5-7.276, SP3+ v2.6.5-7.282	PCI Express, PCI-X	QLogic: QLA2340-E-SP1, 2, 3, QLA2340-E-SP1, 3, QLA2340-E-SP2, 3, QLA2340-E-SP3	FC-AL, FC-SW	Intel SSR212PPf	Y
55	HPQ Proliant BL460c: (416653-B21), (416654-B21), (416655-B21), (416656-B21), (432636-B21); HPQ Proliant BL480c: (416666-B21), (416667-B21), (416668-B21), (416669-B21)	SuSE SLES [32-Bit] 9: SP3 v2.6.5-7.244, SP3+ v2.6.5-7.252, SP3+ v2.6.5-7.257, SP3+ v2.6.5-7.267, SP3+ v2.6.5-7.276, SP3+ v2.6.5-7.282	PCI-X	HPQ Emulex LPe1105-HP 4Gb FC HBA for HP c-Class Bladesystem (403621-B21)18, 29, 30	FC-AL, FC-SW	Intel SSR212PPf	Y21, 22
56	HPQ Proliant BL460c: (416653-B21), (416654-B21), (416655-B21), (416656-B21), (432636-B21); HPQ Proliant BL480c: (416666-B21), (416667-B21), (416668-B21), (416669-B21)	SuSE SLES [32-Bit] 9: SP3 v2.6.5-7.244, SP3+ v2.6.5-7.252, SP3+ v2.6.5-7.257, SP3+ v2.6.5-7.267, SP3+ v2.6.5-7.276, SP3+ v2.6.5-7.282	PCI-X	HPQ QLogic QMH2462 4Gb FC HBA for HP c-Class Bladesystem (403619-B21)15, 16	FC-AL, FC-SW	Intel SSR212PPf	N
57	Dell PowerEdge: 1800, 2800	SuSE SLES [32-Bit] 9: SP3 v2.6.5-7.244, SP3+ v2.6.5-7.252, SP3+ v2.6.5-7.257, SP3+ v2.6.5-7.267, SP3+ v2.6.5-7.276, SP3+ v2.6.5-7.282	PCI, PCI Express, PCI-X	QLogic QLE220-E-SP2, 14, 17	FC-AL, FC-SW	Intel SSR212PPf	Y
58	Fujitsu Siemens Primergy TX200 S3	SuSE SLES [32-Bit] 9: SP3 v2.6.5-7.244, SP3+ v2.6.5-7.252, SP3+ v2.6.5-7.257, SP3+ v2.6.5-7.267, SP3+ v2.6.5-7.276, SP3+ v2.6.5-7.282	PCI, PCI Express, PCI-X	QLogic: QLA2340-E-SP1, 2, 3, QLA2340-E-SP1, 3, QLA2340-E-SP2, 3, QLA2340-E-SP3	FC-AL, FC-SW	Intel SSR212PPf	Y
59	Fujitsu Siemens Primergy RX800 S2	SuSE SLES [32-Bit] 9: SP3 v2.6.5-7.244, SP3+ v2.6.5-7.252, SP3+ v2.6.5-7.257, SP3+ v2.6.5-7.267, SP3+ v2.6.5-7.276, SP3+ v2.6.5-7.282	PCI, PCI-X	Emulex LP1050-E2, 18, 19, 45; QLogic: QLA2340-E-SP1, 2, 3, QLA2340-E-SP1, 3, QLA2340-E-SP2, 3, QLA2340-E-SP3	FC-AL, FC-SW	Intel SSR212PPf	Y
60	Unisys ES7000/460 [32-Bit]	SuSE SLES [32-Bit] 9: SP3 v2.6.5-7.244, SP3+ v2.6.5-7.252, SP3+ v2.6.5-7.257, SP3+ v2.6.5-7.267, SP3+ v2.6.5-7.276, SP3+ v2.6.5-7.282	PCI, PCI-X	Unisys: FCH732213-P64 (LP9002L-F2)18, 19, 40, FCH742313-P64 (LP9802)18, 19, 36, FCH752313-PCX (LP1050)18, 19, 36	FC-AL, FC-SW	Intel SSR212PPf	Y4

SuSE SLES [32-Bit]

No.	Host System	Operating System	Host Bus	Host Bus Adapter	Topology	Storage Array	External Boot
61	Fujitsu Siemens Primergy BX630: (2-way), (4-way)	SuSE SLES [32-Bit] 9: SP3 v2.6.5-7.2445, 6, 9, SP3+ v2.6.5-7.252, SP3+ v2.6.5-7.257, SP3+ v2.6.5-7.267, SP3+ v2.6.5-7.276, SP3+ v2.6.5-7.282	PCI	Emulex LP1050-E2, 18, 19, 45	FC-AL, FC-SW	Intel SSR212PPf	Y

62	Fujitsu Siemens Primergy: BX620 S3, BX630 (2-way), BX630 (4-way), BX630 (8-way)	SuSE SLES [32-Bit] 9: SP3 v2.6.5-7.2445, 6, 9, SP3+ v2.6.5-7.252, SP3+ v2.6.5-7.257, SP3+ v2.6.5-7.267, SP3+ v2.6.5-7.276, SP3+ v2.6.5-7.282	PCI	Fujitsu Siemens BX600-FC22Q1, 2, 3, 28	FC-AL, FC-SW	Intel SSR212PPf	Y
63	Bull NovaScale 2320	SuSE SLES [32-Bit] 105, 6, 7, 8, 9	PCI-X	Bull 2Gbps FC Mezzanine Card – Dual port: for NovaScale Blade Series CFSN202-110010, 11, mini for NovaScale Blade 2021 CFSN202-210010, 11; Bull SBEFCM (SFF) Mezzanine: HBA2, 11, 58, 61, HBA2, 10, 11; Bull SBEFCM4 (SFF) 4Gb Mezzanine HBA11, 12	FC-SW	Intel SSR212PPf	Y
64	Digital Henge PowerBlade BS200L	SuSE SLES [32-Bit] 105, 6, 7, 8, 9	PCI-X	Digital Henge Digital Henge: SBEFCM42, 11, 12, SBEFCM10, 11, SBF10, 11; Digital Henge Intel (r) Fibre Channel Module AHWFCMOD2, 10, 11	FC-SW	Intel SSR212PPf	Y
65	IBM BladeCenter HS20 (Model: 7981), 8678)39, 8832)39, 8832-N1X), 8843); IBM BladeCenter HS40 (Model 8839)	SuSE SLES [32-Bit] 9 SP2+: v2.6.5-7.201, v2.6.5-7.202.7	PCI-X	IBM HS20 FC Exp Card: (13N2203)2, 3, 32, (48P7061)2, 3, 32	FC-SW	Intel SSR212PPf	Y21, 22
66	IBM BladeCenter HS20 (Model 8843)	SuSE SLES [32-Bit] 9 SP2+: v2.6.5-7.201, v2.6.5-7.202.7	PCI-X	IBM HS20: 4GB SFF FC Exp Card (26R0890)2, 27, 37, FC Exp Card (26K4841)2, 3, 32	FC-SW	Intel SSR212PPf	Y21, 22
67	IBM BladeCenter LS20 (Model 8850)	SuSE SLES [32-Bit] 9 SP2+: v2.6.5-7.201, v2.6.5-7.202.7	PCI-X	IBM HS20: 4GB SFF FC Exp Card (26R0890)2, 32, 37, FC Exp Card (13N2203) for IBM eServer LS202, 3, 32, FC SFF Exp Card (26K4841) for IBM eServer LS202, 3, 32	FC-SW	Intel SSR212PPf	Y21, 22
68	IBM BladeCenter HS20 (Model: 7981), 8678)39, 8832)39, 8832-N1X), 8843); IBM BladeCenter: HS40 (Model 8839), LS20 (Model 8850)	SuSE SLES [32-Bit] 9 SP2+: v2.6.5-7.201, v2.6.5-7.202.7	PCI-X	IBM: Emulex LP1005DC FC Exp Card2, 19, 24, 47, HS20 4GB Standard FC Exp Card (26R0884)2, 32, 38	FC-SW	Intel SSR212PPf	Y21, 22
69	Bull NovaScale 2320; Digital Henge PowerBlade BS200L	SuSE SLES [32-Bit] 9: SP3 v2.6.5-7.244, SP3+ v2.6.5-7.252, SP3+ v2.6.5-7.257, SP3+ v2.6.5-7.267, SP3+ v2.6.5-7.276, SP3+ v2.6.5-7.282	PCI-X	Bull 2Gbps FC Mezzanine Card – Dual port: for NovaScale Blade Series CFSN202-11001, 10, mini for NovaScale Blade 2021 CFSN202-21001, 10	FC-SW	Intel SSR212PPf	Y
70	Bull NovaScale 2320	SuSE SLES [32-Bit] 9: SP3 v2.6.5-7.244, SP3+ v2.6.5-7.252, SP3+ v2.6.5-7.257, SP3+ v2.6.5-7.267, SP3+ v2.6.5-7.276, SP3+ v2.6.5-7.282	PCI-X	Bull 2Gbps FC Mezzanine Card – Dual port: for NovaScale Blade Series CFSN202-110058, mini for NovaScale Blade 2021 CFSN202-210010; Bull SBEFCM (SFF) Mezzanine: HBA1, 10, HBA58; Bull SBEFCM4 (SFF) 4Gb Mezzanine HBA1, 12	FC-SW	Intel SSR212PPf	Y
71	Digital Henge PowerBlade BS200L	SuSE SLES [32-Bit] 9: SP3 v2.6.5-7.244, SP3+ v2.6.5-7.252, SP3+ v2.6.5-7.257, SP3+ v2.6.5-7.267, SP3+ v2.6.5-7.276, SP3+ v2.6.5-7.282	PCI-X	Bull SBEFCM (SFF) Mezzanine HBA1, 2, 10; Digital Henge Digital Henge: SBEFCM41, 2, 12, SBEFCM1, 10, SBF10, 10; Digital Henge Intel (r) Fibre Channel Module AHWFCMOD1, 2, 10	FC-SW	Intel SSR212PPf	Y

1. Driver Version 8.01.02-sles Driver is integrated into the kernel.
2. SNIA HBA API Supported.
3. BIOS 1.47 Available in the EMC-approved section of the QLogic website. <http://www.qlogic.com>
4. PowerPath is not supported.
5. EMC supports the following filesystems: ext2, ext3, reiserfs. If there is a customer requirement for a different filesystem, please submit an RPQ.
6. Novell OES is supported on this kernel.
7. Native multipathing is not supported on boot-from-SAN configurations.
8. Supported kernels: 2.6.16.21-0.8. Confirm kernel support with server vendor.
9. SGI's XFS filesystem is supported.
10. BIOS 1.43 Supports BIOS 1.43. Available at <http://www.qlogic.com>
11. Driver Version 8.01.04-k Driver is integrated into the kernel.
12. BIOS 1.12 Requires BIOS 1.12 available in the EMC-approved section of the QLogic website at <http://www.qlogic.com>
13. Driver Version 8.01.06 Driver/BIOS are available at <http://www.qlogic.com>
14. BIOS 1.02 Driver/BIOS are available at <http://www.qlogic.com>
15. BIOS 1.16
16. Driver Version 8.01.02-sles Available in the EMC-approved section of the QLogic website. <http://www.qlogic.com>
17. Driver Version 8.01.05 Driver/BIOS are available at <http://www.qlogic.com>
18. Driver Version 8.0.16.17 Driver is integrated into the kernel.
19. BIOS 1.70a3 Available in the EMC-approved section of the Emulex website. <http://www.emulex.com>
20. Firmware Version 1.91a5
21. Booting from the SAN with PowerPath is supported. Refer to the Path Management Software section for supported versions of PowerPath.
22. VxVM is not supported on servers booting from the array.
23. Firmware Version 2.50a6
24. Driver Version 8.0.16.6_p3 Driver is integrated into the kernel.
25. Driver Version 8.0.16.6_p3
26. BIOS 1.08 Available in the EMC-approved section of the QLogic website. <http://www.qlogic.com>
27. Driver Version 8.01.00
28. **FSC Fibre Channel module. Dual channel 2GBit/s HBA for BX6xx-series blade servers only.**

29. Firmware Version 2.50a8 Available in the EMC-approved section of the Emulex website. <http://www.emulex.com>
30. BIOS 6.00a1 Available in the EMC-approved section of the Emulex website. <http://www.emulex.com>
31. Driver Version 8.0.16.6_p3 Available in the EMC-approved section of the Emulex website. <http://www.emulex.com>
32. Driver Version 8.01.00 Available in the EMC-approved section of the QLogic website. <http://www.qlogic.com>
33. Driver Version 8.0.16.6-p3 Driver is integrated into the kernel.
34. Requires BIOS 1.05 available from the EMC-approved section of the QLogic website at <http://www.qlogic.com>
35. BIOS 1.05 Available in the EMC-approved section of the QLogic website. <http://www.qlogic.com>
36. Firmware Version 1.91a5 Available in the EMC-approved section of the Emulex website. <http://www.emulex.com>
37. BIOS 1.12
38. BIOS 1.12 Available in the EMC-approved section of the QLogic website. <http://www.qlogic.com>
39. EMC VolumeLogix Software required for multiple BladeServers when direct-attached to EMC Symmetrix storage.
40. Firmware Version 3.92a2 Available in the EMC-approved section of the Emulex website. <http://www.emulex.com>
41. Support for 4Gb fibre channel HBAs requires an IBM SPORE to be submitted to IBM.
42. This system is supported only when the IBM ServeRAID 8i SAS RAID controller (13N227) is installed or when the server is being booted remotely from external storage.
43. Accepts PCI-X 1.0 and 2.0 HBAs.
44. 4GB HBAs are not supported in this server. RPQs for 4GB HBAs will not be approved for this server.
45. Firmware Version 1.91a1
46. Driver Version 8.1.6 Driver is integrated into the kernel.
47. Firmware Version 1.90a5 Available in the EMC-approved section of the Emulex website. <http://www.emulex.com>
48. HPQ (Compaq) Proliant server models that are not listed in the ESM but are only differentiated from supported models by an "R" designator, are rack-mountable servers and are supported.
49. Firmware Version 2.50a6 Available in the EMC-approved section of the Emulex website. <http://www.emulex.com>
50. BIOS 1.23 Available in the EMC-approved section of the QLogic website. <http://www.qlogic.com>
51. Driver Version 8.01.04-k
52. PowerEdge 2550 and PowerVault 775N support a maximum of 2 Emulex HBAs at one time and the total PCI power cannot exceed 20 Watts.
53. BIOS 1.11 Available in the EMC-approved section of the QLogic website. <http://www.qlogic.com>
54. Driver Version 8.1.6
55. Firmware Version 2.50a8
56. BIOS 6.00a1
57. Powerpath is supported in boot from SAN configurations for Windows 2003 systems running STORPort drivers (QLogic & Emulex). Windows 2003 servers using STORPort drivers require a Microsoft STORPort hotfix installed to boot with Powerpath. Please see your driver's requirements for the STORPort hotfix (QFE) version.
58. BIOS 1.43
59. This HBA is equivalent to the QLogic QLA2340.
60. Firmware Version 2.10a10
61. EMC recommends upgrading to the most recent, EMC-Approved, HBA driver.
62. BIOS 1.17 Available in the EMC-approved section of the QLogic website. <http://www.qlogic.com>

SuSE* Linux (EM64T)

SuSE SLES [EM64T]							
No.	Host System	Operating System	Host Bus	Host Bus Adapter	Topology	Storage Array	External Boot
1	Fujitsu Siemens Primergy BX630: (2-way), (4-way)	SuSE SLES [EM64T] 9 SP2+: v2.6.5-7.201, v2.6.5-7.20120, 21, v2.6.5-7.202.7	PCI	Emulex LP1050-E3, 6, 46, 49; Fujitsu Siemens BX600-FC22Q6, 12, 33, 40	FC-AL, FC-SW	Intel SSR212PPf	Y
2	Dell PowerEdge: 1800, 1850, 1950, 2800, 2850, 6800, 6850; Digital Henge INNO: HR-4850, HR-6850; Digital Henge Revo: JS1400, JS2400; IBM xSeries x336 (8837)39; LangChao: NC3000, NC3500, NF520; Lenovo SureServer: R650, T650; Samsung: ZSS150, ZSS230	SuSE SLES [EM64T] 9 SP2+: v2.6.5-7.201, v2.6.5-7.20120, 21, v2.6.5-7.202.7	PCI Express	Emulex LP1050Ex-E3, 6, 9, 11; QLogic QLE2360-E-SP6, 7, 15, 16	FC-AL, FC-SW	Intel SSR212PPf	Y1, 2
3	Dell PowerEdge: 1800, 1850, 1950, 2800, 2850, 6800, 6850; Digital Henge INNO: HR-4850, HR-6850; Digital Henge Revo: JS1400, JS2400; HPQ Proliant: DL360(G4)14, DL380(G4)14, DL580(G3)14, ML350(G4)14, ML370(G4)14; LangChao: NC3000, NC3500, NF520; Lenovo SureServer: R650, T650; Samsung: ZSS150, ZSS230	SuSE SLES [EM64T] 9 SP2+: v2.6.5-7.201, v2.6.5-7.20120, 21, v2.6.5-7.202.7	PCI Express	Emulex LPe111-E3, 6, 24, 46	FC-AL, FC-SW	Intel SSR212PPf	Y1, 2
4	Dell PowerEdge: 1800, 1850, 1950, 2800, 2850, 6800, 6850; Digital Henge INNO: HR-4850, HR-6850; Digital Henge Revo: JS1400, JS2400; LangChao: NC3000, NC3500, NF520; Lenovo SureServer: R650, T650; Samsung: ZSS150, ZSS230	SuSE SLES [EM64T] 9 SP2+: v2.6.5-7.201, v2.6.5-7.20120, 21, v2.6.5-7.202.7	PCI Express	Emulex LPe1150-E3, 4, 5, 6; QLogic QLE2460-E-SP6, 7, 8	FC-AL, FC-SW	Intel SSR212PPf	Y1, 2
5	HPQ Proliant: DL360(G4)14, DL380(G4)14, DL580(G3)14, ML350(G4)14, ML370(G4)14	SuSE SLES [EM64T] 9 SP2+: v2.6.5-7.201, v2.6.5-7.20120, 21, v2.6.5-7.202.7	PCI Express	Emulex LPe1150-E3, 4, 6, 23; HPQ A8002A/FC2142SR (LPe1150)3, 6, 9, 31	FC-AL, FC-SW	Intel SSR212PPf	Y1, 2
6	HPQ Proliant ML350(G4)14	SuSE SLES [EM64T] 9 SP2+: v2.6.5-7.201, v2.6.5-7.20120, 21, v2.6.5-7.202.7	PCI Express, PCI-X	Emulex: LP101-E3, 6, 11, 23, LP1050-E3, 10, 23, LP982-E3, 23; HPQ: AB429A/FC1143 (QLA2460)6, 7, 13, AE369A/FC1243 (QLA2462)6, 7, 13; QLogic: QLA200-E-SP6, 7, 22, QLA210-E-SP6, 7, 22, QLA2340-E-SP7, 12	FC-AL, FC-SW	Intel SSR212PPf	Y1, 2
7	Dell PowerEdge: 2900, 2950	SuSE SLES [EM64T] 9 SP2+: v2.6.5-7.201, v2.6.5-7.20120, 21, v2.6.5-7.202.7	PCI Express, PCI-X	Emulex: LP101-E3, 6, 9, 11, LP1050-E3, 6, 9, 10, LP1050Ex-E3, 6, 9, 11, LP982-E3, 6, 9, LPe111-E3, 6, 24, 46, LPe1150-E3, 4, 5, 6; QLogic: QLA2340-E-SP6, 7, 12, QLE2360-E-SP6, 7, 15, 16, QLE2460-E-SP6, 7, 8	FC-AL, FC-SW	Intel SSR212PPf	Y1, 2

8	Fujitsu Siemens Primergy RX220	SuSE SLES [EM64T] 9 SP2+: v2.6.5-7.201, v2.6.5-7.20120, 21, v2.6.5-7.202.7	PCI Express, PCI-X	Emulex: LP1050Ex-E3, 6, 9, LPe1150-E3, 4, 6, LPe1150-E3, 4, 6, 23	FC-AL, FC-SW	Intel SSR212PPf	Y1, 2
9	Dell PowerEdge 1855; Unisys ES3105	SuSE SLES [EM64T] 9 SP2+: v2.6.5-7.201, v2.6.5-7.20120, 21, v2.6.5-7.202.7	PCI-X	Dell 2342M7, 12	FC-AL, FC-SW	Intel SSR212PPf	Y1, 2
10	Dell PowerEdge 1855	SuSE SLES [EM64T] 9 SP2+: v2.6.5-7.201, v2.6.5-7.20120, 21, v2.6.5-7.202.7	PCI-X	Dell: LPe1105-M3, 4, 6, 9, QME24626, 7, 35	FC-AL, FC-SW	Intel SSR212PPf	Y1, 2
11	HPQ Proliant DL360(G4)14	SuSE SLES [EM64T] 9 SP2+: v2.6.5-7.201, v2.6.5-7.20120, 21, v2.6.5-7.202.7	PCI-X	Emulex: LP101-E3, 6, 11, 23, LP1050-E3, 10, 23, LP982-E3, 23; HPQ: AB429A/FC1143 (QLA2460)6, 7, 13, AE369A/FC1243 (QLA2462)6, 7, 13; QLogic: QLA200-E-SP6, 7, 22, QLA210-E-SP6, 7, 22, QLA2340-E-SP7, 12	FC-AL, FC-SW	Intel SSR212PPf	Y1, 2
SuSE SLES [EM64T]							
No.	Host System	Operating System	Host Bus	Host Bus Adapter	Topology	Storage Array	External Boot
12	Dell PowerEdge: 6800, 6850; Digital Henge SH4500R4; IBM xSeries: x336 (8837)39, x346 (8840)39, x3850/x366 (8863)36, 37; LangChao: NC2000, NC3000, NC3500, NF420, NF500, NF520; Lenovo SureServer R630: 6003, 6004; Lenovo SureServer: R650, T630 6003, T650; Samsung: SS210, SS370, SS3840, ZSS150, ZSS230	SuSE SLES [EM64T] 9 SP2+: v2.6.5-7.201, v2.6.5-7.20120, 21, v2.6.5-7.202.7	PCI-X	Emulex: LP101-E3, 6, 9, 11, LP1050-E3, 6, 9, 10, LP982-E3, 6, 9; QLogic QLA2340-E-SP6, 7, 12	FC-AL, FC-SW	Intel SSR212PPf	Y1, 2
13	IBM xSeries: x3800/x260 (8865)36, 37, x3950/x3950E/x460 (8872, 8874)36, 37	SuSE SLES [EM64T] 9 SP2+: v2.6.5-7.201, v2.6.5-7.20120, 21, v2.6.5-7.202.7	PCI-X38	Emulex: LP101-E3, 6, 9, 11, LP1050-E3, 6, 9, 10, LP982-E3, 6, 9; QLogic QLA2340-E-SP6, 7, 12	FC-AL, FC-SW	Intel SSR212PPf	Y1, 2
14	Dell PowerEdge 1955	SuSE SLES [EM64T] 9 SP2+: v2.6.5-7.201, v2.6.5-7.20120, 21, v2.6.5-7.202.7	PCI, PCI Express, PCI-X	Dell: LPe1105-M3, 4, 6, 9, QME24626, 7, 35	FC-AL, FC-SW	Intel SSR212PPf	Y1, 2
15	Dell PowerEdge: 1800, 1850, 2600, 2650, 2800, 2850; Samsung: ES470, ES570, SS140	SuSE SLES [EM64T] 9 SP2+: v2.6.5-7.201, v2.6.5-7.20120, 21, v2.6.5-7.202.7	PCI, PCI-X	Emulex: LP101-E3, 6, 9, 11, LP1050-E3, 6, 9, 10, LP982-E3, 6, 9; QLogic QLA2340-E-SP6, 7, 12	FC-AL, FC-SW	Intel SSR212PPf	Y1, 2
16	HPQ Proliant: DL380(G4)14, ML370(G4)14	SuSE SLES [EM64T] 9 SP2+: v2.6.5-7.201, v2.6.5-7.20120, 21, v2.6.5-7.202.7	PCI, PCI-X	HPQ: AB429A/FC1143 (QLA2460)6, 7, 13, AE369A/FC1243 (QLA2462)6, 7, 13	FC-AL, FC-SW	Intel SSR212PPf	Y1, 2
17	HPQ Proliant: DL380(G4)14, ML370(G4)14	SuSE SLES [EM64T] 9 SP2+: v2.6.5-7.201, v2.6.5-7.202.7	PCI, PCI-X	Emulex: LP101-E3, 6, 11, 23, LP1050-E3, 10, 23, LP982-E3, 23; QLogic: QLA200-E-SP6, 7, 22, QLA210-E-SP6, 7, 22, QLA2340-E-SP7, 12	FC-AL, FC-SW	Intel SSR212PPf	Y1, 2
18	Fujitsu Siemens Primergy RX800 S2	SuSE SLES [EM64T] 9 SP2+: v2.6.5-7.20120, 21, v2.6.5-7.202.7	PCI, PCI-X	Emulex LP1050-E3, 6, 46, 49; QLogic: QLA2340-E-SP6, 7, 12, QLA2340-E-SP7, 12	FC-AL, FC-SW	Intel SSR212PPf	Y
19	HPQ Proliant: DL380(G4)14, DL580(G3)14, ML370(G4)14	SuSE SLES [EM64T] 9 SP2+: v2.6.5-7.20120, 21, v2.6.5-7.202.7	PCI, PCI-X	Emulex: LP101-E3, 6, 11, 23, LP1050-E3, 10, 23, LP982-E3, 23; QLogic: QLA200-E-SP6, 7, 22, QLA210-E-SP6, 7, 22, QLA2340-E-SP7, 12	FC-AL, FC-SW	Intel SSR212PPf	Y1, 2
20	Fujitsu Siemens Primergy BX630: (2-way), (4-way)	SuSE SLES [EM64T] 9: SP3 v2.6.5-7.244, SP3+ v2.6.5-7.252, SP3+ v2.6.5-7.257, SP3+ v2.6.5-7.267, SP3+ v2.6.5-7.276, SP3+ v2.6.5-7.282	PCI	Emulex LP1050-E3, 6, 19, 49	FC-AL, FC-SW	Intel SSR212PPf	Y
21	Fujitsu Siemens Primergy: BX620 S3, BX630 (2-way), BX630 (4-way), BX630 (8-way)	SuSE SLES [EM64T] 9: SP3 v2.6.5-7.244, SP3+ v2.6.5-7.252, SP3+ v2.6.5-7.257, SP3+ v2.6.5-7.267, SP3+ v2.6.5-7.276, SP3+ v2.6.5-7.282	PCI	Fujitsu Siemens BX600-FC22Q6, 12, 17, 40	FC-AL, FC-SW	Intel SSR212PPf	Y
22	Dell PowerEdge: 1800, 1850, 1950, 2800, 2850, 6800, 6850; Digital Henge INNO: HR-4850, HR-6850; Digital Henge Rev0: JS1400, JS2400;	SuSE SLES [EM64T] 9: SP3 v2.6.5-7.244, SP3+ v2.6.5-7.252, SP3+ v2.6.5-7.257, SP3+ v2.6.5-7.267, SP3+ v2.6.5-7.276, SP3+ v2.6.5-7.282	PCI Express	Emulex LP1050Ex-E3, 6, 11, 19; QLogic QLE2360-E-SP6, 15, 16, 17	FC-AL, FC-SW	Intel SSR212PPf	Y

	IBM xSeries x336 (8837)39; LangChao: NC3000, NC3500, NF520; Lenovo SureServer: R650, T650; Samsung: ZSS150, ZSS230						
23	Dell PowerEdge: 1800, 1850, 1950, 2800, 2850, 6800, 6850; Digital Henge INNO: HR-4850, HR-6850; Digital Henge Revo: JS1400, JS2400; HPQ Proliant: DL360(G4)14, DL380(G4)14, DL580(G3)14, ML350(G4)14, ML370(G4)14; LangChao: NC3000, NC3500, NF520; Lenovo SureServer: R650, T650; Samsung: ZSS150, ZSS230	SuSE SLES [EM64T] 9: SP3 v2.6.5-7.244, SP3+ v2.6.5-7.252, SP3+ v2.6.5-7.257, SP3+ v2.6.5-7.267, SP3+ v2.6.5-7.276, SP3+ v2.6.5-7.282	PCI Express	Emulex: LPe111-E3, 6, 19, 24, LPe1150-E3, 4, 6, 19	FC-AL, FC-SW	Intel SSR212PPf	Y
SuSE SLES [EM64T]							
No.	Host System	Operating System	Host Bus	Host Bus Adapter	Topology	Storage Array	External Boot
24	HPQ Proliant: DL360(G4)14, DL380(G4)14, DL580(G3)14, ML350(G4)14, ML370(G4)14	SuSE SLES [EM64T] 9: SP3 v2.6.5-7.244, SP3+ v2.6.5-7.252, SP3+ v2.6.5-7.257, SP3+ v2.6.5-7.267, SP3+ v2.6.5-7.276, SP3+ v2.6.5-7.282	PCI Express	HPQ A8002A/FC2142SR (LPe1150)3, 6, 19, 31	FC-AL, FC-SW	Intel SSR212PPf	Y
25	Dell PowerEdge 1950	SuSE SLES [EM64T] 9: SP3 v2.6.5-7.244, SP3+ v2.6.5-7.252, SP3+ v2.6.5-7.257, SP3+ v2.6.5-7.267, SP3+ v2.6.5-7.276, SP3+ v2.6.5-7.282	PCI Express	QLogic QLE220-E-SP6, 28, 29	FC-AL, FC-SW	Intel SSR212PPf	Y
26	Dell PowerEdge: 1800, 1850, 1950, 2800, 2850, 6800, 6850; Digital Henge INNO: HR-4850, HR-6850; Digital Henge Revo: JS1400, JS2400; LangChao: NC3000, NC3500, NF520; Lenovo SureServer: R650, T650; Samsung: ZSS150, ZSS230	SuSE SLES [EM64T] 9: SP3 v2.6.5-7.244, SP3+ v2.6.5-7.252, SP3+ v2.6.5-7.257, SP3+ v2.6.5-7.267, SP3+ v2.6.5-7.276, SP3+ v2.6.5-7.282	PCI Express	QLogic QLE2460-E-SP6, 8, 17	FC-AL, FC-SW	Intel SSR212PPf	Y
27	Fujitsu Siemens Primergy RX300 S3	SuSE SLES [EM64T] 9: SP3 v2.6.5-7.244, SP3+ v2.6.5-7.252, SP3+ v2.6.5-7.257, SP3+ v2.6.5-7.267, SP3+ v2.6.5-7.276, SP3+ v2.6.5-7.282	PCI Express	QLogic: QLA2340-E-SP12, 17, QLA2340-E-SP6, 12, 17	FC-AL, FC-SW	Intel SSR212PPf	Y
28	Fujitsu Siemens Primergy RX220	SuSE SLES [EM64T] 9: SP3 v2.6.5-7.244, SP3+ v2.6.5-7.252, SP3+ v2.6.5-7.257, SP3+ v2.6.5-7.267, SP3+ v2.6.5-7.276, SP3+ v2.6.5-7.282	PCI Express, PCI-X	Emulex LP1050Ex-E3, 6, 19	FC-AL, FC-SW	Intel SSR212PPf	Y, Y18
29	Dell PowerEdge: 2900, 2950; Digital Henge Revo: AS1500, AS1550, AS2500; Intel: SR1500/S5000PAL, SR2500/S5000PAL	SuSE SLES [EM64T] 9: SP3 v2.6.5-7.244, SP3+ v2.6.5-7.252, SP3+ v2.6.5-7.257, SP3+ v2.6.5-7.267, SP3+ v2.6.5-7.276, SP3+ v2.6.5-7.282	PCI Express, PCI-X	Emulex LPe111-E3, 6, 19, 24; QLogic QLE2360-E-SP6, 15, 16, 17	FC-AL, FC-SW	Intel SSR212PPf	Y
30	Dell PowerEdge: 2900, 2950; Digital Henge Revo: AS1500, AS1550, AS2500; Fujitsu Siemens Primergy RX220; Intel: SR1500/S5000PAL, SR2500/S5000PAL	SuSE SLES [EM64T] 9: SP3 v2.6.5-7.244, SP3+ v2.6.5-7.252, SP3+ v2.6.5-7.257, SP3+ v2.6.5-7.267, SP3+ v2.6.5-7.276, SP3+ v2.6.5-7.282	PCI Express, PCI-X	Emulex LPe1150-E3, 4, 6, 19	FC-AL, FC-SW	Intel SSR212PPf	Y

31	Fujitsu Siemens Primergy RX220; IBM xSeries: x3550 (7978), x3650 (7979), x3755 (8877)	SuSE SLES [EM64T] 9: SP3 v2.6.5-7.244, SP3+ v2.6.5-7.252, SP3+ v2.6.5-7.257, SP3+ v2.6.5-7.267, SP3+ v2.6.5-7.276, SP3+ v2.6.5-7.282	PCI Express, PCI-X	Emulex LPe1150-E3, 4, 6, 19	FC-AL, FC-SW	Intel SSR212PP f	Y18
32	Dell PowerEdge: 2900, 2950; Digital Henge Rev0: AS1500, AS1550, AS2500; IBM xSeries: x3550 (7978), x3650 (7979), x3755 (8877); Intel: SR1500/S5000PAL, SR2500/S5000PAL	SuSE SLES [EM64T] 9: SP3 v2.6.5-7.244, SP3+ v2.6.5-7.252, SP3+ v2.6.5-7.257, SP3+ v2.6.5-7.267, SP3+ v2.6.5-7.276, SP3+ v2.6.5-7.282	PCI Express, PCI-X	Emulex: LP101-E3, 6, 11, 19, LP1050-E3, 6, 10, 19, LP1050Ex-E3, 6, 11, 19, LP982-E3, 6, 19; QLogic QLE2460-E-SP6, 8, 17	FC-AL, FC-SW	Intel SSR212PP f	Y
33	HPQ Proliant ML350(G4)14	SuSE SLES [EM64T] 9: SP3 v2.6.5-7.244, SP3+ v2.6.5-7.252, SP3+ v2.6.5-7.257, SP3+ v2.6.5-7.267, SP3+ v2.6.5-7.276, SP3+ v2.6.5-7.282	PCI Express, PCI-X	Emulex: LP101-E3, 6, 11, LP1050-E3, 10, LP982-E3; HPQ: AB429A/FC1143 (QLA2460)6, 13, 17, AE369A/FC1243 (QLA2462)6, 13, 17; QLogic: QLA200-E-SP6, 17, 22, QLA210-E-SP6, 17, 22, QLE220-E-SP6, 27, 28, 29	FC-AL, FC-SW	Intel SSR212PP f	Y
34	IBM xSeries: x3550 (7978), x3650 (7979), x3755 (8877)	SuSE SLES [EM64T] 9: SP3 v2.6.5-7.244, SP3+ v2.6.5-7.252, SP3+ v2.6.5-7.257, SP3+ v2.6.5-7.267, SP3+ v2.6.5-7.276, SP3+ v2.6.5-7.282	PCI Express, PCI-X	Emulex: LP1050Ex-E3, 6, 11, 19, LP1150-E3, 6, 19, 30, LPe111-E3, 6, 19, 24; IBM: 24P0960 (QLA2340)6, 12, 17, 26, 24P8053 (QLA2342)6, 12, 17, 39M5894 (QLA2460)6, 8, 17, 39M5895 (QLA2462)6, 8, 17; QLogic: QLA2460-E-SP6, 8, 17, QLE2360-E-SP6, 15, 17, QLE2460-E-SP6, 8, 17	FC-AL, FC-SW	Intel SSR212PP f	Y18
35	IBM xSeries: x3550 (7978), x3650 (7979), x3755 (8877)	SuSE SLES [EM64T] 9: SP3 v2.6.5-7.244, SP3+ v2.6.5-7.252, SP3+ v2.6.5-7.257, SP3+ v2.6.5-7.267, SP3+ v2.6.5-7.276, SP3+ v2.6.5-7.282	PCI Express, PCI-X	IBM: 24P0960 (QLA2340)6, 12, 25, 26, 24P8053 (QLA2342)6, 12, 25, 39M5894 (QLA2460)6, 8, 17, 39M5895 (QLA2462)6, 8, 17; QLogic: QLA2460-E-SP6, 8, 17, QLE2360-E-SP6, 15, 17	FC-AL, FC-SW	Intel SSR212PP f	Y
36	Fujitsu Siemens Primergy: RX200 S3, RX220, RX600 S3, TX300 S3, TX600 S3; HPQ Proliant ML350(G4)14	SuSE SLES [EM64T] 9: SP3 v2.6.5-7.244, SP3+ v2.6.5-7.252, SP3+ v2.6.5-7.257, SP3+ v2.6.5-7.267, SP3+ v2.6.5-7.276, SP3+ v2.6.5-7.282	PCI Express, PCI-X	QLogic QLA2340-E-SP12, 17	FC-AL, FC-SW	Intel SSR212PP f	Y
SuSE SLES [EM64T]							
No.	Host System	Operating System	Host Bus	Host Bus Adapter	Topology	Storage Array	External Boot
37	Dell PowerEdge: 2900, 2950; Digital Henge Rev0: AS1500, AS1550, AS2500; Fujitsu Siemens Primergy: RX200 S3, RX220, RX600 S3, TX300 S3, TX600 S3; IBM xSeries: x3550 (7978), x3650 (7979), x3755 (8877); Intel: SR1500/S5000PAL, SR2500/S5000PAL	SuSE SLES [EM64T] 9: SP3 v2.6.5-7.244, SP3+ v2.6.5-7.252, SP3+ v2.6.5-7.257, SP3+ v2.6.5-7.267, SP3+ v2.6.5-7.276, SP3+ v2.6.5-7.282	PCI Express, PCI-X	QLogic QLA2340-E-SP6, 12, 17	FC-AL, FC-SW	Intel SSR212PP f	Y
38	Dell PowerEdge: 1850, 1900, 2850, 2900, 2950, 6800, 6850; Digital Henge Rev0: AS1500, AS1550, AS2500; Intel: SR1500/S5000PAL, SR2500/S5000PAL	SuSE SLES [EM64T] 9: SP3 v2.6.5-7.244, SP3+ v2.6.5-7.252, SP3+ v2.6.5-7.257, SP3+ v2.6.5-7.267, SP3+ v2.6.5-7.276, SP3+ v2.6.5-7.282	PCI Express, PCI-X	QLogic QLE220-E-SP6, 28, 29	FC-AL, FC-SW	Intel SSR212PP f	Y
39	Dell PowerEdge 1855; Unisys ES3105	SuSE SLES [EM64T] 9: SP3 v2.6.5-7.244, SP3+ v2.6.5-7.252, SP3+ v2.6.5-7.257, SP3+ v2.6.5-7.267, SP3+ v2.6.5-7.276, SP3+ v2.6.5-7.282	PCI-X	Dell 2342M12, 17	FC-AL, FC-SW	Intel SSR212PP f	Y
40	Dell PowerEdge 1855	SuSE SLES [EM64T] 9: SP3 v2.6.5-7.244, SP3+ v2.6.5-7.252, SP3+ v2.6.5-7.257, SP3+ v2.6.5-7.267, SP3+ v2.6.5-7.276, SP3+ v2.6.5-7.282	PCI-X	Dell: LPe1105-M3, 4, 6, 19, QME24626, 17, 35	FC-AL, FC-SW	Intel SSR212PP f	Y
41	IBM xSeries x3850/x366 (8863)36, 37	SuSE SLES [EM64T] 9: SP3 v2.6.5-7.244, SP3+ v2.6.5-7.252, SP3+ v2.6.5-7.257, SP3+ v2.6.5-7.267, SP3+ v2.6.5-7.276, SP3+ v2.6.5-7.282	PCI-X	Emulex LP9802-E3, 6, 11, 19	FC-AL, FC-SW	Intel SSR212PP f	Y

42	Dell PowerEdge: 6800, 6850; Digital Henge SH4500R4; IBM xSeries: x336 (8837)39 , x346 (8840)39, x3850/x366 (8863)36, 37; LangChao: NC2000, NC3000, NC3500, NF420, NF500, NF520; Lenovo SureServer R630: 6003, 6004; Lenovo SureServer: R650, T630 6003, T650; Samsung: SS210, SS370, SS3840, ZSS150, ZSS230	SuSE SLES [EM64T] 9: SP3 v2.6.5-7.244, SP3+ v2.6.5-7.252, SP3+ v2.6.5-7.257, SP3+ v2.6.5-7.267, SP3+ v2.6.5-7.276, SP3+ v2.6.5-7.282	PCI-X	Emulex: LP101-E3, 6, 11, 19, LP1050-E3, 6, 10, 19, LP982-E3, 6, 19	FC-AL, FC-SW	Intel SSR212PP f	Y
43	HPQ Proliant DL360(G4)14	SuSE SLES [EM64T] 9: SP3 v2.6.5-7.244, SP3+ v2.6.5-7.252, SP3+ v2.6.5-7.257, SP3+ v2.6.5-7.267, SP3+ v2.6.5-7.276, SP3+ v2.6.5-7.282	PCI-X	Emulex: LP101-E3, 6, 11, LP1050-E3, 10, LP982-E3; HPQ: AB429A/FC1143 (QLA2460)6, 13, 17, AE369A/FC1243 (QLA2462)6, 13, 17; QLogic: QLA200-E-SP6, 17, 22, QLA210-E-SP6, 17, 22, QLA2340-E-SP12, 17, QLE220-E-SP6, 27, 28, 29	FC-AL, FC-SW	Intel SSR212PP f	Y
44	HPQ Proliant BL460c: (416653-B21), (416654-B21), (416655-B21), (416656-B21), (432636-B21); HPQ Proliant BL480c: (416666-B21), (416667-B21), (416668-B21), (416669-B21)	SuSE SLES [EM64T] 9: SP3 v2.6.5-7.244, SP3+ v2.6.5-7.252, SP3+ v2.6.5-7.257, SP3+ v2.6.5-7.267, SP3+ v2.6.5-7.276, SP3+ v2.6.5-7.282	PCI-X	HPQ Emulex LPe1105-HP 4Gb FC HBA for HP c-Class Bladesystem (403621-B21)19, 24, 47	FC-AL, FC-SW	Intel SSR212PP f	Y1, 2
45	HPQ Proliant BL460c: (416653-B21), (416654-B21), (416655-B21), (416656-B21), (432636-B21); HPQ Proliant BL480c: (416666-B21), (416667-B21), (416668-B21), (416669-B21)	SuSE SLES [EM64T] 9: SP3 v2.6.5-7.244, SP3+ v2.6.5-7.252, SP3+ v2.6.5-7.257, SP3+ v2.6.5-7.267, SP3+ v2.6.5-7.276, SP3+ v2.6.5-7.282	PCI-X	HPQ QLogic QMH2462 4Gb FC HBA for HP c-Class Bladesystem (403619-B21)25, 45	FC-AL, FC-SW	Intel SSR212PP f	N
46	Dell PowerEdge: 1950, 6800, 6850; Digital Henge SH4500R4; IBM xSeries: x336 (8837)39 , x346 (8840)39, x3850/x366 (8863)36, 37; LangChao: NC2000, NC3000, NC3500, NF420, NF500, NF520; Lenovo SureServer R630: 6003, 6004; Lenovo SureServer: R650, T630 6003, T650; Samsung: SS210, SS370, SS3840, ZSS150, ZSS230	SuSE SLES [EM64T] 9: SP3 v2.6.5-7.244, SP3+ v2.6.5-7.252, SP3+ v2.6.5-7.257, SP3+ v2.6.5-7.267, SP3+ v2.6.5-7.276, SP3+ v2.6.5-7.282	PCI-X	QLogic QLA2340-E-SP6, 12, 17	FC-AL, FC-SW	Intel SSR212PP f	Y

SuSE SLES [EM64T]

No.	Host System	Operating System	Host Bus	Host Bus Adapter	Topology	Storage Array	External Boot
47	Dell PowerEdge 1955	SuSE SLES [EM64T] 9: SP3 v2.6.5-7.244, SP3+ v2.6.5-7.252, SP3+ v2.6.5-7.257, SP3+ v2.6.5-7.267, SP3+ v2.6.5-7.276, SP3+ v2.6.5-7.282	PCI, PCI Express, PCI-X	Dell: LPe1105-M3, 4, 6, 19, QME24626, 17, 35	FC-AL, FC-SW	Intel SSR212PP f	Y
48	HPQ Proliant DL380(G5)	SuSE SLES [EM64T] 9: SP3 v2.6.5-7.244, SP3+ v2.6.5-7.252, SP3+ v2.6.5-7.257, SP3+ v2.6.5-7.267, SP3+ v2.6.5-7.276, SP3+ v2.6.5-7.282	PCI, PCI Express, PCI-X	Emulex: LP101-E3, 6, 11, LP1050-E3, 10, LP982-E3; HPQ: AB429A/FC1143 (QLA2460)6, 13, 17, AE369A/FC1243 (QLA2462)6, 13, 17; QLogic: QLA200-E-SP6, 17, 22, QLA210-E-SP6, 17, 22, QLE220-E-SP6, 27, 28, 29	FC-AL, FC-SW	Intel SSR212PP f	Y
49	HPQ Proliant: DL380(G5), DL580(G4)	SuSE SLES [EM64T] 9: SP3 v2.6.5-7.244, SP3+ v2.6.5-7.252, SP3+ v2.6.5-7.257, SP3+ v2.6.5-7.267, SP3+ v2.6.5-7.276, SP3+ v2.6.5-7.282	PCI, PCI Express, PCI-X	Emulex: LPe111-E3, 6, 19, 24, LPe1150-E3, 4, 6, 19; HPQ: A8002A/FC2142SR (LPe1150)3, 6, 19, 31, AE311A/FC1142SR (QLE2460)6, 8, 44, AE312A/FC1242SR (QLE2462)6, 8, 17; QLogic: QLE2460-E-SP6, 8, 17, QLE2462-E-SP6, 8, 17	FC-AL, FC-SW	Intel SSR212PP f	Y

50	Fujitsu Siemens Primergy TX200 S3; HPQ Proliant DL380(G5)	SuSE SLES [EM64T] 9: SP3 v2.6.5-7.244, SP3+ v2.6.5-7.252, SP3+ v2.6.5-7.257, SP3+ v2.6.5-7.267, SP3+ v2.6.5-7.276, SP3+ v2.6.5-7.282	PCI, PCI Express, PCI-X	QLogic QLA2340-E-SP12, 17	FC-AL, FC-SW	Intel SSR212PPf	Y
51	Fujitsu Siemens Primergy TX200 S3	SuSE SLES [EM64T] 9: SP3 v2.6.5-7.244, SP3+ v2.6.5-7.252, SP3+ v2.6.5-7.257, SP3+ v2.6.5-7.267, SP3+ v2.6.5-7.276, SP3+ v2.6.5-7.282	PCI, PCI Express, PCI-X	QLogic QLA2340-E-SP6, 12, 17	FC-AL, FC-SW	Intel SSR212PPf	Y
52	Dell PowerEdge: 1800, 2800	SuSE SLES [EM64T] 9: SP3 v2.6.5-7.244, SP3+ v2.6.5-7.252, SP3+ v2.6.5-7.257, SP3+ v2.6.5-7.267, SP3+ v2.6.5-7.276, SP3+ v2.6.5-7.282	PCI, PCI Express, PCI-X	QLogic QLE220-E-SP6, 28, 29	FC-AL, FC-SW	Intel SSR212PPf	Y
53	Fujitsu Siemens Primergy RX800 S2	SuSE SLES [EM64T] 9: SP3 v2.6.5-7.244, SP3+ v2.6.5-7.252, SP3+ v2.6.5-7.257, SP3+ v2.6.5-7.267, SP3+ v2.6.5-7.276, SP3+ v2.6.5-7.282	PCI, PCI-X	Emulex LP1050-E3, 6, 19, 49	FC-AL, FC-SW	Intel SSR212PPf	Y
54	Dell PowerEdge: 1800, 1850, 2600, 2650, 2800, 2850; Samsung: ES470, ES570, SS140	SuSE SLES [EM64T] 9: SP3 v2.6.5-7.244, SP3+ v2.6.5-7.252, SP3+ v2.6.5-7.257, SP3+ v2.6.5-7.267, SP3+ v2.6.5-7.276, SP3+ v2.6.5-7.282	PCI, PCI-X	Emulex: LP101-E3, 6, 11, 19, LP1050-E3, 6, 10, 19, LP982-E3, 6, 19	FC-AL, FC-SW	Intel SSR212PPf	Y
55	HPQ Proliant: DL380(G4)14, ML370(G4)14	SuSE SLES [EM64T] 9: SP3 v2.6.5-7.244, SP3+ v2.6.5-7.252, SP3+ v2.6.5-7.257, SP3+ v2.6.5-7.267, SP3+ v2.6.5-7.276, SP3+ v2.6.5-7.282	PCI, PCI-X	Emulex: LP101-E3, 6, 11, LP1050-E3, 10, LP982-E3; HPQ: AB429A/FC1143 (QLA2460)6, 13, 17, AE369A/FC1243 (QLA2462)6, 13, 17; QLogic: QLA200-E-SP6, 17, 22, QLA210-E-SP6, 17, 22, QLE220-E-SP6, 27, 28, 29	FC-AL, FC-SW	Intel SSR212PPf	Y
56	Fujitsu Siemens Primergy RX800 S2; HPQ Proliant: DL380(G4)14, ML370(G4)14	SuSE SLES [EM64T] 9: SP3 v2.6.5-7.244, SP3+ v2.6.5-7.252, SP3+ v2.6.5-7.257, SP3+ v2.6.5-7.267, SP3+ v2.6.5-7.276, SP3+ v2.6.5-7.282	PCI, PCI-X	QLogic QLA2340-E-SP12, 17	FC-AL, FC-SW	Intel SSR212PPf	Y
57	Dell PowerEdge: 1800, 1850, 2600, 2650, 2800, 2850; Fujitsu Siemens Primergy RX800 S2; Samsung: ES470, ES570, SS140	SuSE SLES [EM64T] 9: SP3 v2.6.5-7.244, SP3+ v2.6.5-7.252, SP3+ v2.6.5-7.257, SP3+ v2.6.5-7.267, SP3+ v2.6.5-7.276, SP3+ v2.6.5-7.282	PCI, PCI-X	QLogic QLA2340-E-SP6, 12, 17	FC-AL, FC-SW	Intel SSR212PPf	Y
58	IBM BladeCenter HS20 (Model 8843)	SuSE SLES [EM64T] 9 SP2+: v2.6.5-7.201, v2.6.5-7.20120, 21, v2.6.5-7.202.7	PCI-X	IBM HS20: 4GB SFF FC Exp Card (26R0890)6, 32, 33, FC Exp Card (26K4841)6, 7, 12	FC-SW	Intel SSR212PPf	Y1, 2
59	IBM BladeCenter HS20 (Model: 8832-N1X), 8843)	SuSE SLES [EM64T] 9 SP2+: v2.6.5-7.201, v2.6.5-7.20120, 21, v2.6.5-7.202.7	PCI-X	IBM: Emulex LP1005DC FC Exp Card3, 6, 9, 41, HS20 4GB Standard FC Exp Card (26R0884)6, 7, 34, HS20 FC Exp Card (13N2203)6, 7, 12, HS20 FC Exp Card (48P7061)6, 7, 12	FC-SW	Intel SSR212PPf	Y1, 2
60	IBM BladeCenter HS20 (Model 8843)	SuSE SLES [EM64T] 9: SP3 v2.6.5-7.244, SP3+ v2.6.5-7.252, SP3+ v2.6.5-7.257, SP3+ v2.6.5-7.267, SP3+ v2.6.5-7.276, SP3+ v2.6.5-7.282	PCI-X	IBM HS20 FC Exp Card (26K4841)6, 12, 17	FC-SW	Intel SSR212PPf	Y
61	IBM BladeCenter HS20 (Model: 8832-N1X), 8843); IBM BladeCenter HS21 (Model 8853)48	SuSE SLES [EM64T] 9: SP3 v2.6.5-7.244, SP3+ v2.6.5-7.252, SP3+ v2.6.5-7.257, SP3+ v2.6.5-7.267, SP3+ v2.6.5-7.276, SP3+ v2.6.5-7.282	PCI-X	IBM HS20 FC Exp Card: (13N2203)6, 12, 17, (48P7061)6, 12, 17	FC-SW	Intel SSR212PPf	Y
62	IBM BladeCenter: HS20 (Model 8843), HS21 (Model 8853)48	SuSE SLES [EM64T] 9: SP3 v2.6.5-7.244, SP3+ v2.6.5-7.252, SP3+ v2.6.5-7.257, SP3+ v2.6.5-7.267, SP3+ v2.6.5-7.276, SP3+ v2.6.5-7.282	PCI-X	IBM: Emulex 4Gb SFF Fibre Channel Exp Card (39Y9186)6, 19, 42, 43, HS20 4GB SFF FC Exp Card (26R0890)6, 17, 32	FC-SW	Intel SSR212PPf	Y
63	IBM BladeCenter HS20 (Model: 8832-N1X), 8843)	SuSE SLES [EM64T] 9: SP3 v2.6.5-7.244, SP3+ v2.6.5-7.252, SP3+ v2.6.5-7.257, SP3+ v2.6.5-7.267, SP3+ v2.6.5-7.276, SP3+ v2.6.5-7.282	PCI-X	IBM: Emulex LP1005DC FC Exp Card3, 6, 19, 41, HS20 4GB Standard FC Exp Card (26R0884)6, 17, 34	FC-SW	Intel SSR212PPf	Y

1. Booting from the SAN with PowerPath is supported. Refer to the Path Management Software section for supported versions of PowerPath.
2. VxVM is not supported on servers booting from the array.
3. BIOS 1.70a3 Available in the EMC-approved section of the Emulex website. <http://www.emulex.com>
4. Firmware Version 2.50a6
5. Driver Version 8.0.16.6-p3 Driver is integrated into the kernel.
6. SNIA HBA API Supported.
7. Driver Version 8.01.00 Available in the EMC-approved section of the QLogic website. <http://www.qlogic.com>
8. BIOS 1.08 Available in the EMC-approved section of the QLogic website. <http://www.qlogic.com>
9. Driver Version 8.0.16.6_p3 Driver is integrated into the kernel.
10. Firmware Version 1.91a5
11. Firmware Version 1.91a5 Available in the EMC-approved section of the Emulex website. <http://www.emulex.com>

12. BIOS 1.47 Available in the EMC-approved section of the QLogic website. <http://www.qlogic.com>
13. BIOS 1.17 Available in the EMC-approved section of the QLogic website. <http://www.qlogic.com>
14. HPQ (Compaq) Proliant server models that are not listed in the ESM but are only differentiated from supported models by an "R" designator, are rack-mountable servers and are supported.
15. BIOS 1.05 Available in the EMC-approved section of the QLogic website. <http://www.qlogic.com>
16. Requires BIOS 1.05 available from the EMC-approved section of the QLogic website at <http://www.qlogic.com>
17. Driver Version 8.01.02-sles Driver is integrated into the kernel.
18. PowerPath is not supported.
19. Driver Version 8.0.16.17 Driver is integrated into the kernel.
20. EMC supports the following filesystems: ext2, ext3, reiserfs. If there is a customer requirement for a different filesystem, please submit an RPQ.
21. SGI's XFS filesystem is supported.
22. BIOS 1.23 Available in the EMC-approved section of the QLogic website. <http://www.qlogic.com>
23. Driver Version 8.0.16.6_p3
24. Firmware Version 2.50a8 Available in the EMC-approved section of the Emulex website. <http://www.emulex.com>
25. Driver Version 8.01.02-sles Available in the EMC-approved section of the QLogic website. <http://www.qlogic.com>
26. This HBA is equivalent to the QLogic QLA2340.
27. Driver/BIOS are available at <http://www.qlogic.com>
28. Driver Version 8.01.05 Driver/BIOS are available at <http://www.qlogic.com>
29. BIOS 1.02 Driver/BIOS are available at <http://www.qlogic.com>
30. Firmware Version 2.10a10
31. Firmware Version 2.50a6 Available in the EMC-approved section of the Emulex website. <http://www.emulex.com>
32. BIOS 1.12
33. Driver Version 8.01.00
34. BIOS 1.12 Available in the EMC-approved section of the QLogic website. <http://www.qlogic.com>
35. BIOS 1.11 Available in the EMC-approved section of the QLogic website. <http://www.qlogic.com>
36. Support for 4Gb fibre channel HBAs requires an IBM SPORE to be submitted to IBM.
37. This system is supported only when the IBM ServeRAID 8i SAS RAID controller (13N227) is installed or when the server is being booted remotely from external storage.
38. Accepts PCI-X 1.0 and 2.0 HBAs.
39. 4GB HBAs are not supported in this server. RPQs for 4GB HBAs will not be approved for this server.
40. **FSC Fibre Channel module. Dual channel 2GBit/s HBA for BX6xx-series blade servers only.**
41. Firmware Version 1.90a5 Available in the EMC-approved section of the Emulex website. <http://www.emulex.com>
42. BIOS 1.71.a0 Available in the EMC-approved section of the Emulex website. <http://www.emulex.com>
43. Firmware Version 2.10.a10 Available in the EMC-approved section of the Emulex website. <http://www.emulex.com>
44. Driver Version 8.01.02-sles Available in the EMC-approved section of the Emulex website. <http://www.emulex.com> Driver is integrated into the kernel.
45. BIOS 1.16
46. Driver Version 8.0.16.6_p3 Available in the EMC-approved section of the Emulex website. <http://www.emulex.com>
47. BIOS 6.00a1 Available in the EMC-approved section of the Emulex website. <http://www.emulex.com>
48. **BladeCenter support for Windows 2000 operating systems requires an IBM SPORE to be submitted to IBM, then if approved by IBM, be subsequently submitted to EMC as an RPQ for review.**
49. Firmware Version 1.91a1

VMware ESX Server

VMware ESX Server							
No.	Host System	Operating System	Host Bus	Host Bus Adapter	Topology	Storage Array	External Boot
1	HPQ Proliant DL380(G3)21	VMware ESX Server v3.0.12, 3, 6, 8, 30	PCI	Emulex: LP1050-E10, 18, 29, LP982-E29, 37, 38; QLogic QLA2340-E-SP33, 39	FC-AL, FC-SW	Intel SSR212PPf	Y9, 16
2	Fujitsu Siemens Primergy BX66057	VMware ESX Server v3.0.12, 3, 6, 8, 30	PCI	Fujitsu Siemens BX600-FC22Q12, 24, 33, 58	FC-AL, FC-SW	Intel SSR212PPf	Y9, 16
3	Dell PowerEdge: 1950, 6850; Fujitsu Siemens Primergy RX300 S3	VMware ESX Server v3.0.12, 3, 6, 8, 30	PCI Express	Emulex LP1050Ex-E10, 11, 12, 29	FC-AL, FC-SW	Intel SSR212PPf	Y9, 16
4	Fujitsu Siemens Primergy RX300 S3	VMware ESX Server v3.0.12, 3, 6, 8, 30	PCI Express	Emulex LP1050Ex-E10, 12, 29, 37; QLogic QLA2340-E-SP33	FC-AL, FC-SW	Intel SSR212PPf	Y9, 16
5	Dell PowerEdge 1950	VMware ESX Server v3.0.12, 3, 6, 8, 30	PCI Express	Emulex: LP1050-E10, 18, 29, LP982-E29, 37, 38; QLogic QLE2360-E-SP12, 33, 36	FC-AL, FC-SW	Intel SSR212PPf	Y9, 16
6	Dell PowerEdge 1950; Fujitsu Siemens Primergy RX300 S3	VMware ESX Server v3.0.12, 3, 6, 8, 30	PCI Express	QLogic QLA2340-E-SP33, 39	FC-AL, FC-SW	Intel SSR212PPf	Y9, 16

7	Dell PowerEdge 6850	VMware ESX Server v3.0.12, 3, 6, 8, 30	PCI Express	QLogic QLE2360-E-SP12, 33	FC-AL, FC-SW	Intel SSR212PPf	Y9, 16
8	Dell PowerEdge 6850	VMware ESX Server v3.0.12, 3, 6, 8, 30	PCI Express, PCI-X	Dell 2362M33, 48, 49	FC-AL, FC-SW	Intel SSR212PPf	Y9, 16
9	Dell PowerEdge: 1850, 2850, 2900, 2950, 6850, 6950; IBM xSeries: x336 (8837)43, x3550 (7978), x3650 (7979), x3755 (8877)	VMware ESX Server v3.0.12, 3, 6, 8, 30	PCI Express, PCI-X	Emulex LP1050-E10, 18, 29	FC-AL, FC-SW	Intel SSR212PPf	Y9, 16
10	Dell PowerEdge: 1850, 2850, 2900, 2950, 6850, 6950; Fujitsu Siemens Primergy TX300 S3; IBM: eServer 326m (Model 7969), xSeries x336 (8837)43, xSeries x3755 (8877)	VMware ESX Server v3.0.12, 3, 6, 8, 30	PCI Express, PCI-X	Emulex LP1050Ex-E10, 11, 12, 29	FC-AL, FC-SW	Intel SSR212PPf	Y9, 16
11	Fujitsu Siemens Primergy TX300 S3; IBM: eServer 326m (Model 7969), xSeries x3755 (8877)	VMware ESX Server v3.0.12, 3, 6, 8, 30	PCI Express, PCI-X	Emulex LP1050Ex-E10, 12, 29, 37	FC-AL, FC-SW	Intel SSR212PPf	Y9, 16
12	Dell PowerEdge: 1850, 2850, 2900, 2950, 6850, 6950; IBM xSeries: x336 (8837)43, x3550 (7978), x3650 (7979)	VMware ESX Server v3.0.12, 3, 6, 8, 30	PCI Express, PCI-X	Emulex LP982-E29, 37, 38	FC-AL, FC-SW	Intel SSR212PPf	Y9, 16
13	Dell PowerEdge: 2900, 2950, 6950; Fujitsu Siemens Primergy RX600 S3	VMware ESX Server v3.0.12, 3, 6, 8, 30	PCI Express, PCI-X	Emulex LPe1150-E10, 12, 28, 29	FC-AL, FC-SW	Intel SSR212PPf	Y9, 16
14	IBM xSeries x3755 (8877)	VMware ESX Server v3.0.12, 3, 6, 8, 30	PCI Express, PCI-X	Emulex: LP1050-E10, 12, 29, 37, LP1050-E10, 29, 37	FC-AL, FC-SW	Intel SSR212PPf	Y9, 16
15	IBM xSeries: x3550 (7978), x3650 (7979), x3755 (8877)	VMware ESX Server v3.0.12, 3, 6, 8, 30	PCI Express, PCI-X	IBM 24P0960 (QLA2340)24, 33, 42	FC-AL, FC-SW	Intel SSR212PPf	Y9, 16
16	NEC Express 5800 120Ri-2	VMware ESX Server v3.0.12, 3, 6, 8, 30	PCI Express, PCI-X	NEC N8190-120 (LP1050)10, 11, 17, 29	FC-AL, FC-SW	Intel SSR212PPf	Y9, 16
17	Fujitsu Siemens Primergy TX300 S3; IBM xSeries x3755 (8877)	VMware ESX Server v3.0.12, 3, 6, 8, 30	PCI Express, PCI-X	QLogic QLA2340-E-SP33	FC-AL, FC-SW	Intel SSR212PPf	Y9, 16
18	Dell PowerEdge: 1850, 2850, 2900, 2950, 6850, 6950; Fujitsu Siemens Primergy TX300 S3; IBM xSeries: x336 (8837)43, x346 (8840)43, x3550 (7978), x3650 (7979), x3755 (8877)	VMware ESX Server v3.0.12, 3, 6, 8, 30	PCI Express, PCI-X	QLogic QLA2340-E-SP33, 39	FC-AL, FC-SW	Intel SSR212PPf	Y9, 16
19	IBM: eServer 326m (Model 7969), xSeries x3755 (8877)	VMware ESX Server v3.0.12, 3, 6, 8, 30	PCI Express, PCI-X	QLogic QLE2360-E-SP12, 33	FC-AL, FC-SW	Intel SSR212PPf	Y9, 16
20	Dell PowerEdge: 1850, 2850, 2900, 2950, 6950; IBM: eServer 326m (Model 7969), xSeries x3755 (8877)	VMware ESX Server v3.0.12, 3, 6, 8, 30	PCI Express, PCI-X	QLogic QLE2360-E-SP12, 33, 36	FC-AL, FC-SW	Intel SSR212PPf	Y9, 16

VMware ESX Server

No.	Host System	Operating System	Host Bus	Host Bus Adapter	Topology	Storage Array	External Boot
21	Dell PowerEdge: 2900, 2950, 6950; IBM: eServer 326m (Model 7969), xSeries x3755 (8877)	VMware ESX Server v3.0.12, 3, 6, 8, 30	PCI Express, PCI-X	QLogic QLE2460-E-SP12, 32, 33	FC-AL, FC-SW	Intel SSR212PPf	Y
22	Dell PowerEdge 1855	VMware ESX Server v3.0.12, 3, 6, 8, 30	PCI-X	Dell 2342M24, 33	FC-AL, FC-SW	Intel SSR212PPf	Y9, 16
23	Fujitsu Siemens Primergy RX600 S2	VMware ESX Server v3.0.12, 3, 6, 8, 30	PCI-X	Emulex LP1050-E10, 12, 29, 37	FC-AL, FC-SW	Intel SSR212PPf	Y9, 16
24	HPQ Proliant DL360(G4)21	VMware ESX Server v3.0.12, 3, 6, 8, 30	PCI-X	Emulex LP1050Ex-E10, 11, 12, 29	FC-AL, FC-SW	Intel SSR212PPf	Y9, 16
25	Fujitsu Siemens Primergy: RX600 S2, TX600 S2	VMware ESX Server v3.0.12, 3, 6, 8, 30	PCI-X	Emulex LP1050Ex-E10, 12, 29, 37	FC-AL, FC-SW	Intel SSR212PPf	Y9, 16
26	Dell PowerEdge: 1750, 2600, 2650, 6650; HPQ Proliant: BL40p, DL360(G3)21, DL360(G4)21, DL74021, DL760 (G2)21, ML570(G2)21, ML570(G3)21;	VMware ESX Server v3.0.12, 3, 6, 8, 30	PCI-X	Emulex: LP1050-E10, 18, 29, LP982-E29, 37, 38	FC-AL, FC-SW	Intel SSR212PPf	Y9, 16

	IBM: eServer 326 (Model 8848), xSeries x235, xSeries x365, xSeries x3850/x366 (8863)25; NEC Express 5800: 120Rh-2, 140Rd-4; Sun: V40z, x4100, x4200						
27	HPQ Proliant BL45p	VMware ESX Server v3.0.12, 3, 6, 8, 30	PCI-X	HPQ: Dual-port Fibre Channel Adapter for HP Proliant BL25p/BL45p 381881-B2133, 50, Emulex-based BL25/30/35/45p Fibre Channel Mezzanine HBA - 394588-B2129	FC-AL, FC-SW	Intel SSR212PPf	Y9, 16
28	IBM xSeries: x235, x365, x3850/x366 (8863)25	VMware ESX Server v3.0.12, 3, 6, 8, 30	PCI-X	IBM 24P0960 (QLA2340)24, 33, 42	FC-AL, FC-SW	Intel SSR212PPf	Y9, 16
29	NEC Express 5800: 120Rh-2, 140Rd-4	VMware ESX Server v3.0.12, 3, 6, 8, 30	PCI-X	NEC N8190-120 (LP1050)10, 11, 17, 29	FC-AL, FC-SW	Intel SSR212PPf	Y9, 16
30	Fujitsu Siemens Primergy: RX600 S2, TX600 S2; Sun: V40z, x4100, x4200	VMware ESX Server v3.0.12, 3, 6, 8, 30	PCI-X	QLogic QLA2340-E-SP33	FC-AL, FC-SW	Intel SSR212PPf	Y9, 16
31	Dell PowerEdge: 1750, 2600, 2650, 6650; Fujitsu Siemens Primergy: RX600 S2, TX600 S2; HPQ Proliant: BL40p, DL360(G3)21, DL360(G4)21, DL74021, DL760 (G2)21, ML570(G2)21, ML570(G3)21; IBM: eServer 326 (Model 8848), xSeries x235, xSeries x365, xSeries x3850/x366 (8863)25; Sun: V40z, x4100, x4200	VMware ESX Server v3.0.12, 3, 6, 8, 30	PCI-X	QLogic QLA2340-E-SP33, 39	FC-AL, FC-SW	Intel SSR212PPf	Y9, 16
32	HPQ Proliant BL20p (G2)	VMware ESX Server v3.0.12, 3, 6, 8, 30	PCI-X14	HPQ Dual-port Fibre Channel Adapter for HP Proliant BL20p (G2) 300874-B2119, 33	FC-AL, FC-SW	Intel SSR212PPf	Y9, 16
33	HPQ Proliant BL25p	VMware ESX Server v3.0.12, 3, 6, 8, 30	PCI-X14	HPQ Dual-port Fibre Channel Adapter for HP Proliant BL25p/BL45p 381881-B2133, 50	FC-AL, FC-SW	Intel SSR212PPf	Y9, 16
34	HPQ Proliant: BL25p, BL35p	VMware ESX Server v3.0.12, 3, 6, 8, 30	PCI-X14	HPQ Emulex-based BL25/30/35/45p Fibre Channel Mezzanine HBA - 394588-B2129	FC-AL, FC-SW	Intel SSR212PPf	Y9, 16
35	HPQ Proliant BL20p (G3)	VMware ESX Server v3.0.12, 3, 6, 8, 30	PCI-X14	HPQ: Dual-port Fibre Channel Adapter for HP Proliant BL20p (G3) 361426-B2119, 33, Emulex-based BL20p (G3) Fibre Channel Mezzanine HBA - 394757-B2129	FC-AL, FC-SW	Intel SSR212PPf	Y9, 16
36	IBM xSeries: x3800/x260 (8865)25, x3950/x3950E/x460 (8872, 8874)25	VMware ESX Server v3.0.12, 3, 6, 8, 30	PCI-X26	Emulex: LP1050-E10, 18, 29, LP982-E29, 37, 38; IBM 24P0960 (QLA2340)24, 33, 42; QLogic QLA2340-E-SP33, 39	FC-AL, FC-SW	Intel SSR212PPf	Y9, 16
37	Dell PowerEdge 1955	VMware ESX Server v3.0.12, 3, 6, 8, 30	PCI, PCI Express, PCI-X	Dell 2342M24, 33	FC-AL, FC-SW	Intel SSR212PPf	Y9, 16
38	HPQ Proliant: DL380(G5), DL580(G4)	VMware ESX Server v3.0.12, 3, 6, 8, 30	PCI, PCI Express, PCI-X	Emulex: LP1050-E10, 18, 29, LP1050Ex-E10, 11, 12, 29, LP982-E29, 37, 38; QLogic QLA2340-E-SP33, 39	FC-AL, FC-SW	Intel SSR212PPf	Y9, 16
39	HPQ Proliant: DL380(G4)21, DL580(G3)21	VMware ESX Server v3.0.12, 3, 6, 8, 30	PCI, PCI-X	Emulex LP1050Ex-E10, 11, 12, 29	FC-AL, FC-SW	Intel SSR212PPf	Y9, 16
40	Fujitsu Siemens Primergy: RX600, TX600	VMware ESX Server v3.0.12, 3, 6, 8, 30	PCI, PCI-X	Emulex: LP1050-E10, 12, 29, 37, LP1050-E10, 29, 37; QLogic QLA2340-E-SP33	FC-AL, FC-SW	Intel SSR212PPf	Y9, 16
41	HPQ Proliant: DL380(G4)21, DL38521, DL580(G2)21, DL580(G3)21, DL58521, ML370(G3)21, ML370(G4)21; IBM: eServer 325 (Model 8835), xSeries x445 (8870)	VMware ESX Server v3.0.12, 3, 6, 8, 30	PCI, PCI-X	Emulex: LP1050-E10, 18, 29, LP982-E29, 37, 38	FC-AL, FC-SW	Intel SSR212PPf	Y9, 16
VMware ESX Server							
No.	Host System	Operating System	Host Bus	Host Bus Adapter	Topology	Storage Array	External Boot
42	IBM: eServer 325 (Model 8835), xSeries x445 (8870)	VMware ESX Server v3.0.12, 3, 6, 8, 30	PCI, PCI-X	IBM 24P0960 (QLA2340)24, 33, 42	FC-AL, FC-SW	Intel SSR212PPf	Y9, 16
43	Fujitsu Siemens Primergy: RX600, TX600;	VMware ESX Server v3.0.12, 3, 6, 8, 30	PCI, PCI-X	QLogic QLA2340-E-SP33, 39	FC-AL, FC-SW	Intel SSR212PPf	Y9, 16

	HPQ Proliant: DL380(G4)21 , DL38521, DL580(G2)21 , DL580(G3)21, DL58521 , ML370(G3)21, ML370(G4)21; IBM: eServer 325 (Model 8835), xSeries x445 (8870)						
44	HPQ Proliant: DL380(G3)21 , DL580(G2)21	VMware ESX Server: v3.0.12, 3, 6, 8, 30, v3.02, 3, 6, 30, 31, v3.02, 3, 6, 8, 30, 31	PCI	HPQ AD167A/FC2143 (LP1150)10, 12, 29, 45	FC-AL, FC-SW	Intel SSR212PPf	Y9, 16
45	Dell PowerEdge: 1850, 1950, 2800, 2850, 6800, 6850; HPQ Proliant: DL360(G4)21 , DL380(G4)21, DL580(G3)21 , ML370(G4)21	VMware ESX Server: v3.0.12, 3, 6, 8, 30, v3.02, 3, 6, 30, 31, v3.02, 3, 6, 8, 30, 31	PCI Express	Emulex LPe1150-E10, 12, 28, 29	FC-AL, FC-SW	Intel SSR212PPf	Y9, 16
46	HPQ Proliant: DL360(G4)21 , DL380(G4)21, DL580(G3)21 , ML370(G4)21	VMware ESX Server: v3.0.12, 3, 6, 8, 30, v3.02, 3, 6, 30, 31, v3.02, 3, 6, 8, 30, 31	PCI Express	HPQ: A8002A/FC2142SR (LPe1150)10, 12, 29, 41, AD167A/FC2143 (LP1150)10, 12, 29, 45	FC-AL, FC-SW	Intel SSR212PPf	Y9, 16
47	HPQ Proliant DL360(G4)21	VMware ESX Server: v3.0.12, 3, 6, 8, 30, v3.02, 3, 6, 30, 31, v3.02, 3, 6, 8, 30, 31	PCI Express, PCI-X	HPQ AD167A/FC2143 (LP1150)10, 12, 29, 45	FC-AL, FC-SW	Intel SSR212PPf	Y9, 16
48	NEC Express 5800: 120Ri-2, 140Rd-4	VMware ESX Server: v3.0.12, 3, 6, 8, 30, v3.02, 3, 6, 30, 31, v3.02, 3, 6, 8, 30, 31	PCI Express, PCI-X	NEC N8190-127 (LPe1150)17, 29, 40, 41	FC-AL, FC-SW	Intel SSR212PPf	Y9, 16
49	Dell PowerEdge 1855	VMware ESX Server: v3.0.12, 3, 6, 8, 30, v3.02, 3, 6, 30, 31, v3.02, 3, 6, 8, 30, 31	PCI-X	Dell LPe1105-M10, 12, 28, 29	FC-AL, FC-SW	Intel SSR212PPf	Y9, 16
50	HPQ Proliant: BL40p, DL360(G3)21 , DL360(G4)21, DL74021, DL760 (G2)21, ML570(G2)21	VMware ESX Server: v3.0.12, 3, 6, 8, 30, v3.02, 3, 6, 30, 31, v3.02, 3, 6, 8, 30, 31	PCI-X	HPQ AD167A/FC2143 (LP1150)10, 12, 29, 45	FC-AL, FC-SW	Intel SSR212PPf	Y9, 16
51	HPQ Proliant: DL380(G5), DL580(G4)	VMware ESX Server: v3.0.12, 3, 6, 8, 30, v3.02, 3, 6, 30, 31, v3.02, 3, 6, 8, 30, 31	PCI, PCI Express, PCI-X	Emulex LPe1150-E10, 12, 28, 29; HPQ: A8002A/FC2142SR (LPe1150)10, 12, 29, 41, AD167A/FC2143 (LP1150)10, 12, 29, 45	FC-AL, FC-SW	Intel SSR212PPf	Y9, 16
52	HPQ Proliant: DL380(G3)21 , DL380(G4)21, DL38521 , DL580(G2)21, DL580(G3)21 , ML370(G3)21, ML370(G4)21	VMware ESX Server: v3.0.12, 3, 6, 8, 30, v3.02, 3, 6, 30, 31, v3.02, 3, 6, 8, 30, 31	PCI, PCI-X	HPQ AD167A/FC2143 (LP1150)10, 12, 29, 45	FC-AL, FC-SW	Intel SSR212PPf	Y9, 16
53	Dell PowerEdge 1955	VMware ESX Server: v3.0.12, 3, 6, 8, 30, v3.02, 3, 6, 30, 31, v3.02, 3, 6, 8, 30, 31, v3.03, 6, 30, 31, v3.03, 6, 8, 30, 31	PCI, PCI Express, PCI-X	Dell LPe1105-M10, 12, 29	FC-AL, FC-SW	Intel SSR212PPf	Y9, 16
54	Dell PowerEdge: 1850, 1950, 2800, 2850, 6800, 6850	VMware ESX Server: v3.0.12, 3, 6, 8, 30, v3.03, 6, 30, 31, v3.03, 6, 8, 30, 31	PCI Express	QLogic QLE2460-E-SP12, 32, 33	FC-AL, FC-SW	Intel SSR212PPf	Y
55	HPQ Proliant DL360(G4)21	VMware ESX Server: v3.0.12, 3, 6, 8, 30, v3.03, 6, 30, 31, v3.03, 6, 8, 30, 31	PCI-X	HPQ AB429A/FC1143 (QLA2460)12, 33, 46	FC-AL, FC-SW	Intel SSR212PPf	Y9, 16
56	HPQ Proliant DL380(G5)	VMware ESX Server: v3.0.12, 3, 6, 8, 30, v3.03, 6, 30, 31, v3.03, 6, 8, 30, 31	PCI, PCI Express, PCI-X	HPQ AB429A/FC1143 (QLA2460)12, 33, 46	FC-AL, FC-SW	Intel SSR212PPf	Y9, 16
57	HPQ Proliant: DL380(G4)21 , DL38521, DL58521, ML370(G4)21	VMware ESX Server: v3.0.12, 3, 6, 8, 30, v3.03, 6, 30, 31, v3.03, 6, 8, 30, 31	PCI, PCI-X	HPQ AB429A/FC1143 (QLA2460)12, 33, 46	FC-AL, FC-SW	Intel SSR212PPf	Y9, 16
58	Dell PowerEdge: 2900, 2950; Fujitsu Siemens Primergy RX600 S3	VMware ESX Server: v3.02, 3, 6, 30, 31, v3.02, 3, 6, 8, 30, 31	PCI Express, PCI-X	Emulex LPe1150-E10, 12, 28, 29	FC-AL, FC-SW	Intel SSR212PPf	Y9, 16
59	Dell PowerEdge 1955	VMware ESX Server: v3.02, 3, 6, 30, 31, v3.02, 3, 6, 8, 30, 31, v3.03, 6, 30, 31, v3.03, 6, 8, 30, 31	PCI, PCI Express, PCI-X	Dell 2342M20, 24	FC-AL, FC-SW	Intel SSR212PPf	Y9, 16
60	HPQ Proliant DL380(G3)21	VMware ESX Server: v3.03, 6, 30, 31, v3.03, 6, 8, 30, 31	PCI	Emulex: LP1050-E10, 18, 34, LP982-E34, 37, 38; QLogic QLA2340-E-SP20, 39	FC-AL, FC-SW	Intel SSR212PPf	Y9, 16
61	Fujitsu Siemens Primergy BX66057	VMware ESX Server: v3.03, 6, 30, 31, v3.03, 6, 8, 30, 31	PCI	Fujitsu Siemens BX600-FC22Q12, 20, 24, 58	FC-AL, FC-SW	Intel SSR212PPf	Y9, 16
62	Dell PowerEdge: 1950, 6850; Fujitsu Siemens Primergy RX300 S3	VMware ESX Server: v3.03, 6, 30, 31, v3.03, 6, 8, 30, 31	PCI Express	Emulex LP1050Ex-E10, 11, 12, 34	FC-AL, FC-SW	Intel SSR212PPf	Y9, 16
63	Fujitsu Siemens Primergy RX300 S3	VMware ESX Server: v3.03, 6, 30, 31, v3.03, 6, 8, 30, 31	PCI Express	Emulex LP1050Ex-E10, 12, 34, 37; QLogic QLA2340-E-SP20	FC-AL, FC-SW	Intel SSR212PPf	Y9, 16
64	Dell PowerEdge 1950	VMware ESX Server: v3.03, 6, 30, 31, v3.03, 6, 8, 30, 31	PCI Express	Emulex: LP1050-E10, 18, 34, LP982-E34, 37, 38; QLogic QLE2360-E-SP12, 20, 36	FC-AL, FC-SW	Intel SSR212PPf	Y9, 16
65	Dell PowerEdge 1950; Fujitsu Siemens Primergy RX300 S3	VMware ESX Server: v3.03, 6, 30, 31, v3.03, 6, 8, 30, 31	PCI Express	QLogic QLA2340-E-SP20, 39	FC-AL, FC-SW	Intel SSR212PPf	Y9, 16

66	Dell PowerEdge 6850	VMware ESX Server: v3.03, 6, 30, 31, v3.03, 6, 8, 30, 31	PCI Express	QLogic QLE2360-E-SP12, 20	FC-AL, FC-SW	Intel SSR212PPf	Y9, 16
67	Dell PowerEdge 6850	VMware ESX Server: v3.03, 6, 30, 31, v3.03, 6, 8, 30, 31	PCI Express, PCI-X	Dell 2362M20, 48, 49	FC-AL, FC-SW	Intel SSR212PPf	Y9, 16
VMware ESX Server							
No.	Host System	Operating System	Host Bus	Host Bus Adapter	Topology	Storage Array	External Boot
68	Dell PowerEdge: 1850, 2850, 2900, 2950, 6850; Fujitsu Siemens Primergy TX300 S3; IBM: eServer 326m (Model 7969), xSeries x336 (8837)43	VMware ESX Server: v3.03, 6, 30, 31, v3.03, 6, 8, 30, 31	PCI Express, PCI-X	Emulex LP1050Ex-E10, 11, 12, 34	FC-AL, FC-SW	Intel SSR212PPf	Y9, 16
69	Fujitsu Siemens Primergy TX300 S3; IBM eServer 326m (Model 7969)	VMware ESX Server: v3.03, 6, 30, 31, v3.03, 6, 8, 30, 31	PCI Express, PCI-X	Emulex LP1050Ex-E10, 12, 34, 37	FC-AL, FC-SW	Intel SSR212PPf	Y9, 16
70	Dell PowerEdge: 1850, 2850, 2900, 2950, 6850; IBM xSeries: x336 (8837)43, x3550 (7978), x3650 (7979)	VMware ESX Server: v3.03, 6, 30, 31, v3.03, 6, 8, 30, 31	PCI Express, PCI-X	Emulex: LP1050-E10, 18, 34, LP982-E34, 37, 38	FC-AL, FC-SW	Intel SSR212PPf	Y9, 16
71	IBM xSeries: x3550 (7978), x3650 (7979)	VMware ESX Server: v3.03, 6, 30, 31, v3.03, 6, 8, 30, 31	PCI Express, PCI-X	IBM 24P0960 (QLA2340)20, 24, 42	FC-AL, FC-SW	Intel SSR212PPf	Y9, 16
72	NEC Express 5800 120Ri-2	VMware ESX Server: v3.03, 6, 30, 31, v3.03, 6, 8, 30, 31	PCI Express, PCI-X	NEC N8190-120 (LP1050)10, 11, 17, 34	FC-AL, FC-SW	Intel SSR212PPf	Y9, 16
73	Fujitsu Siemens Primergy TX300 S3	VMware ESX Server: v3.03, 6, 30, 31, v3.03, 6, 8, 30, 31	PCI Express, PCI-X	QLogic QLA2340-E-SP20	FC-AL, FC-SW	Intel SSR212PPf	Y9, 16
74	Dell PowerEdge: 1850, 2850, 2900, 2950, 6850; Fujitsu Siemens Primergy TX300 S3; IBM xSeries: x336 (8837)43, x346 (8840)43, x3550 (7978), x3650 (7979)	VMware ESX Server: v3.03, 6, 30, 31, v3.03, 6, 8, 30, 31	PCI Express, PCI-X	QLogic QLA2340-E-SP20, 39	FC-AL, FC-SW	Intel SSR212PPf	Y9, 16
75	IBM eServer 326m (Model 7969)	VMware ESX Server: v3.03, 6, 30, 31, v3.03, 6, 8, 30, 31	PCI Express, PCI-X	QLogic QLE2360-E-SP12, 20	FC-AL, FC-SW	Intel SSR212PPf	Y9, 16
76	Dell PowerEdge: 1850, 2850, 2900, 2950; IBM eServer 326m (Model 7969)	VMware ESX Server: v3.03, 6, 30, 31, v3.03, 6, 8, 30, 31	PCI Express, PCI-X	QLogic QLE2360-E-SP12, 20, 36	FC-AL, FC-SW	Intel SSR212PPf	Y9, 16
77	Dell PowerEdge: 2900, 2950; IBM eServer 326m (Model 7969)	VMware ESX Server: v3.03, 6, 30, 31, v3.03, 6, 8, 30, 31	PCI Express, PCI-X	QLogic QLE2460-E-SP12, 32, 33	FC-AL, FC-SW	Intel SSR212PPf	Y
78	Dell PowerEdge 1855	VMware ESX Server: v3.03, 6, 30, 31, v3.03, 6, 8, 30, 31	PCI-X	Dell 2342M20, 24	FC-AL, FC-SW	Intel SSR212PPf	Y9, 16
79	Fujitsu Siemens Primergy RX600 S2	VMware ESX Server: v3.03, 6, 30, 31, v3.03, 6, 8, 30, 31	PCI-X	Emulex LP1050-E10, 12, 34, 37	FC-AL, FC-SW	Intel SSR212PPf	Y9, 16
80	HPQ Proliant DL360(G4)21	VMware ESX Server: v3.03, 6, 30, 31, v3.03, 6, 8, 30, 31	PCI-X	Emulex LP1050Ex-E10, 11, 12, 34	FC-AL, FC-SW	Intel SSR212PPf	Y9, 16
81	Fujitsu Siemens Primergy: RX600 S2, TX600 S2	VMware ESX Server: v3.03, 6, 30, 31, v3.03, 6, 8, 30, 31	PCI-X	Emulex LP1050Ex-E10, 12, 34, 37	FC-AL, FC-SW	Intel SSR212PPf	Y9, 16
82	Dell PowerEdge: 1750, 2600, 2650, 6650; HPQ Proliant: BL40p, DL360(G3)21, DL360(G4)21, DL74021, DL760 (G2)21, ML570(G2)21, ML570(G3)21; IBM: eServer 326 (Model 8848), xSeries x235, xSeries x365, xSeries x3850/x366 (8863)25; NEC Express 5800: 120Rh-2, 140Rd-4; Sun: V40z, x4100, x4200	VMware ESX Server: v3.03, 6, 30, 31, v3.03, 6, 8, 30, 31	PCI-X	Emulex: LP1050-E10, 18, 34, LP982-E34, 37, 38	FC-AL, FC-SW	Intel SSR212PPf	Y9, 16
83	HPQ Proliant BL45p	VMware ESX Server: v3.03, 6, 30, 31, v3.03, 6, 8, 30, 31	PCI-X	HPQ: Dual-port Fibre Channel Adapter for HP Proliant BL25p/BL45p 381881-B2120, 50, Emulex-based BL25/30/35/45p Fibre Channel Mezzanine HBA - 394588-B2134	FC-AL, FC-SW	Intel SSR212PPf	Y9, 16
84	IBM xSeries: x235, x365, x3850/x366 (8863)25	VMware ESX Server: v3.03, 6, 30, 31, v3.03, 6, 8, 30, 31	PCI-X	IBM 24P0960 (QLA2340)20, 24, 42	FC-AL, FC-SW	Intel SSR212PPf	Y9, 16

85	NEC Express 5800: 120Rh-2, 140Rd-4	VMware ESX Server: v3.03, 6, 30, 31, v3.03, 6, 8, 30, 31	PCI-X	NEC N8190-120 (LP1050)10, 11, 17, 34	FC-AL, FC-SW	Intel SSR212PPf	Y9, 16
86	Fujitsu Siemens Primergy: RX600 S2, TX600 S2; Sun: V40z, x4100, x4200	VMware ESX Server: v3.03, 6, 30, 31, v3.03, 6, 8, 30, 31	PCI-X	QLogic QLA2340-E-SP20	FC-AL, FC-SW	Intel SSR212PPf	Y9, 16
87	Dell PowerEdge: 1750, 2600, 2650, 6650; Fujitsu Siemens Primergy: RX600 S2, TX600 S2; HPQ Proliant: BL40p, DL360(G3)21, DL360(G4)21, DL74021, DL760 (G2)21, ML570(G2)21, ML570(G3)21; IBM: eServer 326 (Model 8848), xSeries x235, xSeries x365, xSeries x3850/x366 (8863)25; Sun: V40z, x4100, x4200	VMware ESX Server: v3.03, 6, 30, 31, v3.03, 6, 8, 30, 31	PCI-X	QLogic QLA2340-E-SP20, 39	FC-AL, FC-SW	Intel SSR212PPf	Y9, 16
VMware ESX Server							
No.	Host System	Operating System	Host Bus	Host Bus Adapter	Topology	Storage Array	External Boot
88	HPQ Proliant BL20p (G2)	VMware ESX Server: v3.03, 6, 30, 31, v3.03, 6, 8, 30, 31	PCI-X14	HPQ Dual-port Fibre Channel Adapter for HP Proliant BL20p (G2) 300874-B2119, 20	FC-AL, FC-SW	Intel SSR212PPf	Y9, 16
89	HPQ Proliant BL25p	VMware ESX Server: v3.03, 6, 30, 31, v3.03, 6, 8, 30, 31	PCI-X14	HPQ Dual-port Fibre Channel Adapter for HP Proliant BL25p/BL45p 381881-B2120, 50	FC-AL, FC-SW	Intel SSR212PPf	Y9, 16
90	HPQ Proliant: BL25p, BL35p	VMware ESX Server: v3.03, 6, 30, 31, v3.03, 6, 8, 30, 31	PCI-X14	HPQ Emulex-based BL25/30/35/45p Fibre Channel Mezzanine HBA - 394588-B2134	FC-AL, FC-SW	Intel SSR212PPf	Y9, 16
91	HPQ Proliant BL20p (G3)	VMware ESX Server: v3.03, 6, 30, 31, v3.03, 6, 8, 30, 31	PCI-X14	HPQ: Dual-port Fibre Channel Adapter for HP Proliant BL20p (G3) 361426-B2119, 20, Emulex-based BL20p (G3) Fibre Channel Mezzanine HBA - 394757-B2134	FC-AL, FC-SW	Intel SSR212PPf	Y9, 16
92	IBM xSeries: x3800/x260 (8865)25, x3950/x3950E/x460 (8872, 8874)25	VMware ESX Server: v3.03, 6, 30, 31, v3.03, 6, 8, 30, 31	PCI-X26	Emulex: LP1050-E10, 18, 34, LP982-E34, 37, 38; IBM 24P0960 (QLA2340)20, 24, 42; QLogic QLA2340-E-SP20, 39	FC-AL, FC-SW	Intel SSR212PPf	Y9, 16
93	HPQ Proliant: DL380(G5), DL580(G4)	VMware ESX Server: v3.03, 6, 30, 31, v3.03, 6, 8, 30, 31	PCI, PCI Express, PCI-X	Emulex: LP1050-E10, 18, 34, LP1050Ex-E10, 11, 12, 34, LP982-E34, 37, 38; QLogic QLA2340-E-SP20, 39	FC-AL, FC-SW	Intel SSR212PPf	Y9, 16
94	HPQ Proliant: DL380(G4)21, DL580(G3)21	VMware ESX Server: v3.03, 6, 30, 31, v3.03, 6, 8, 30, 31	PCI, PCI-X	Emulex LP1050Ex-E10, 11, 12, 34	FC-AL, FC-SW	Intel SSR212PPf	Y9, 16
95	Fujitsu Siemens Primergy: RX600, TX600	VMware ESX Server: v3.03, 6, 30, 31, v3.03, 6, 8, 30, 31	PCI, PCI-X	Emulex: LP1050-E10, 12, 34, 37, LP1050-E10, 34, 37; QLogic QLA2340-E-SP20	FC-AL, FC-SW	Intel SSR212PPf	Y9, 16
96	HPQ Proliant: DL380(G4)21, DL38521, DL580(G2)21, DL580(G3)21, DL58521, ML370(G3)21, ML370(G4)21; IBM: eServer 325 (Model 8835), xSeries x445 (8870)	VMware ESX Server: v3.03, 6, 30, 31, v3.03, 6, 8, 30, 31	PCI, PCI-X	Emulex: LP1050-E10, 18, 34, LP982-E34, 37, 38	FC-AL, FC-SW	Intel SSR212PPf	Y9, 16
97	IBM: eServer 325 (Model 8835), xSeries x445 (8870)	VMware ESX Server: v3.03, 6, 30, 31, v3.03, 6, 8, 30, 31	PCI, PCI-X	IBM 24P0960 (QLA2340)20, 24, 42	FC-AL, FC-SW	Intel SSR212PPf	Y9, 16
98	Fujitsu Siemens Primergy: RX600, TX600; HPQ Proliant: DL380(G4)21, DL38521, DL580(G2)21, DL580(G3)21, DL58521, ML370(G3)21, ML370(G4)21; IBM: eServer 325 (Model 8835), xSeries x445 (8870)	VMware ESX Server: v3.03, 6, 30, 31, v3.03, 6, 8, 30, 31	PCI, PCI-X	QLogic QLA2340-E-SP20, 39	FC-AL, FC-SW	Intel SSR212PPf	Y9, 16
99	HPQ Proliant BL35p	VMware ESX Server v3.0.12, 3, 6, 8, 30	PCI-X14	HPQ Dual-port Fibre Channel Adapter for HP Proliant BL30p/BL35p 354054-B2119, 33	FC-AL, FC-SW51	Intel SSR212PPf	Y9, 16
100	HPQ Proliant BL35p	VMware ESX Server: v3.03, 6, 30, 31, v3.03, 6, 8, 30, 31	PCI-X14	HPQ Dual-port Fibre Channel Adapter for HP Proliant BL30p/BL35p 354054-B2119, 20	FC-AL, FC-SW51	Intel SSR212PPf	Y9, 16
101	Dell PowerEdge: 1650, 1750, 2600, 2650, 4600, 6600, 6650; Fujitsu Siemens Primergy: RX300, RX300 S2, RX600 S2, TX300, TX300 S2, TX600 S2;	VMware ESX Server v2.5.22, 3, 5, 6, 7	PCI-X	QLogic QLA2340-E-SP20, 24	FC-SW	Intel SSR212PPf	Y9, 16

	HPQ Proliant: BL40p, DL360(G3)21 , DL360(G4)21, DL56021, DL74021 , DL760(G2)21, DL76021 , ML570(G2)21, ML570(G3)21; IBM: eServer 326 (Model 8848), xSeries x235, xSeries x255, xSeries x360, xSeries x365, xSeries x3850/x366 (8863)25, xSeries x440; NEC Express 5800 120Lh; Sun: V20z, V40z						
102	Fujitsu Siemens Primergy: RX600, RX800, RX800 S2, TX600; HPQ Proliant: DL380(G2)21 , DL380(G4)21, DL38021, DL38521 , DL580(G2)21, DL580(G3)21 , DL58521, ML370(G3)21 , ML370(G4)21; IBM: eServer 325 (Model 8835), xSeries x345 (8670), xSeries x445 (8870)	VMware ESX Server v2.5.22, 3, 5, 6, 7	PCI, PCI-X	QLogic QLA2340-E-SP20, 24	FC-SW	Intel SSR212PPf	Y9, 16
103	Dell PowerEdge 6850	VMware ESX Server v2.5.32, 3, 5, 6, 7	PCI Express	Emulex LP1050Ex-E10, 11, 12, 13	FC-SW	Intel SSR212PPf	N9
104	Dell PowerEdge: 1850, 2850, 6850; IBM xSeries x336 (8837)43	VMware ESX Server v2.5.32, 3, 5, 6, 7	PCI Express, PCI-X	Emulex LP1050Ex-E10, 11, 12, 13	FC-SW	Intel SSR212PPf	N9
105	Dell PowerEdge: 1850, 2850, 6850; IBM xSeries x336 (8837)43; NEC Express 5800 110Rg-1	VMware ESX Server v2.5.32, 3, 5, 6, 7	PCI Express, PCI-X	Emulex: LP1050-E10, 13, 18, LP982-E10, 13	FC-SW	Intel SSR212PPf	N9
106	HPQ Proliant BL20p (G3)	VMware ESX Server v2.5.32, 3, 5, 6, 7	PCI-X14	HPQ Emulex-based BL20p (G3) Fibre Channel Mezzanine HBA - 394757-B2113, 15	FC-SW	Intel SSR212PPf	Y9, 16
107	Dell PowerEdge: 1950, 6850	VMware ESX Server v2.5.41, 2, 3, 4, 5, 6, 7, 8	PCI Express	Emulex LP1050Ex-E10, 11, 12, 13	FC-SW	Intel SSR212PPf	N9
VMware ESX Server							
No.	Host System	Operating System	Host Bus	Host Bus Adapter	Topology	Storage Array	External Boot
108	Dell PowerEdge 1950	VMware ESX Server v2.5.41, 2, 3, 4, 5, 6, 7, 8	PCI Express	Emulex: LP1050-E10, 12, 13, 37, LP1050-E10, 13, 18, LP982-E10, 13	FC-SW	Intel SSR212PPf	N9
109	Dell PowerEdge: 1950, 6850	VMware ESX Server v2.5.41, 2, 3, 4, 5, 6, 7, 8	PCI Express	QLogic QLE2360-E-SP12, 20, 44	FC-SW	Intel SSR212PPf	Y9, 16
110	Dell PowerEdge 1950	VMware ESX Server v2.5.41, 2, 3, 4, 5, 6, 7, 8	PCI Express	QLogic: QLA2340-E-SP20, 24, QLE2360-E-SP12, 20, 36, 44	FC-SW	Intel SSR212PPf	Y9, 16
111	Dell PowerEdge: 2900, 2950	VMware ESX Server v2.5.41, 2, 3, 4, 5, 6, 7, 8	PCI Express, PCI-X	Emulex LP1050-E10, 12, 13, 37	FC-SW	Intel SSR212PPf	N9
112	Dell PowerEdge: 1850, 2850, 2900, 2950, 6850; IBM xSeries x336 (8837)43	VMware ESX Server v2.5.41, 2, 3, 4, 5, 6, 7, 8	PCI Express, PCI-X	Emulex LP1050Ex-E10, 11, 12, 13	FC-SW	Intel SSR212PPf	N9
113	Dell PowerEdge: 1850, 2850, 2900, 2950, 6850; IBM xSeries x336 (8837)43; NEC Express 5800 110Rg-1	VMware ESX Server v2.5.41, 2, 3, 4, 5, 6, 7, 8	PCI Express, PCI-X	Emulex: LP1050-E10, 13, 18, LP982-E10, 13	FC-SW	Intel SSR212PPf	N9
114	Dell PowerEdge: 1850, 2850, 2900, 2950, 6850; IBM xSeries: x336 (8837)43, x346 (8840)43	VMware ESX Server v2.5.41, 2, 3, 4, 5, 6, 7, 8	PCI Express, PCI-X	QLogic QLA2340-E-SP20, 24	FC-SW	Intel SSR212PPf	Y9, 16
115	Dell PowerEdge: 1850, 2850, 2900, 2950	VMware ESX Server v2.5.41, 2, 3, 4, 5, 6, 7, 8	PCI Express, PCI-X	QLogic QLE2360-E-SP12, 20, 36, 44	FC-SW	Intel SSR212PPf	Y9, 16
116	Dell PowerEdge: 2900, 2950	VMware ESX Server v2.5.41, 2, 3, 4, 5, 6, 7, 8	PCI Express, PCI-X	QLogic QLE2360-E-SP12, 20, 44	FC-SW	Intel SSR212PPf	Y9, 16
117	HPQ Proliant BL20p: (G3), (G4)	VMware ESX Server v2.5.41, 2, 3, 4, 5, 6, 7, 8	PCI-X14	HPQ: Dual-port Fibre Channel Adapter for HP Proliant BL20p (G3) 361426-B2119, 20, Emulex-based BL20p (G3) Fibre Channel Mezzanine HBA - 394757-B2113, 15	FC-SW	Intel SSR212PPf	Y9, 16
118	HPQ Proliant: DL380(G5), DL580(G4)	VMware ESX Server v2.5.41, 2, 3, 4, 5, 6, 7, 8	PCI, PCI Express, PCI-X	Emulex: LP1050-E10, 13, 18, LP1050Ex-E10, 11, 12, 13, LP982-E10, 13	FC-SW	Intel SSR212PPf	N9
119	HPQ Proliant: DL380(G5), DL580(G4)	VMware ESX Server v2.5.41, 2, 3, 4, 5, 6, 7, 8	PCI, PCI Express, PCI-X	QLogic QLA2340-E-SP20, 24	FC-SW	Intel SSR212PPf	Y9, 16

120	HPQ Proliant BL460c: (416653-B21), (416654-B21), (416655-B21), (416656-B21), (432636-B21); HPQ Proliant BL480c: (416666-B21), (416667-B21), (416668-B21), (416669-B21)	VMware ESX Server v3.0.12, 3, 6, 8, 30	PCI-X	HPQ QLogic QMH2462 4Gb FC HBA for HP c-Class Bladesystem (403619-B21)53, 56	FC-SW	Intel SSR212PPf	N
121	IBM BladeCenter HS20 (Model: 8832)35, 8832-N1X), 8843); IBM BladeCenter: HS40 (Model 8839), LS20 (Model 8850)	VMware ESX Server v3.0.12, 3, 6, 8, 30	PCI-X	IBM Emulex LP1005DC FC Exp Card12, 29	FC-SW	Intel SSR212PPf	Y9, 16
122	IBM BladeCenter HS20 (Model: 8832)35, 8832-N1X); IBM BladeCenter HS40 (Model 8839)	VMware ESX Server v3.0.12, 3, 6, 8, 30	PCI-X	IBM HS20 FC Exp Card (13N2203)24, 33	FC-SW	Intel SSR212PPf	Y9, 16
123	IBM BladeCenter HS20 (Model 8843)	VMware ESX Server v3.0.12, 3, 6, 8, 30	PCI-X	IBM HS20 FC Exp Card (26K4841)12, 24, 33, 47	FC-SW	Intel SSR212PPf	Y9, 16
124	IBM BladeCenter HS20 (Model: 8832)35, 8832-N1X), 8843)	VMware ESX Server v3.0.12, 3, 6, 8, 30	PCI-X	IBM HS20 FC Exp Card (48P7061)12, 33	FC-SW	Intel SSR212PPf	Y9, 16
125	IBM BladeCenter LS20 (Model 8850)	VMware ESX Server v3.0.12, 3, 6, 8, 30	PCI-X	IBM HS20 FC: Exp Card (13N2203) for IBM eServer LS2012, 24, 33, SFF Exp Card (26K4841) for IBM eServer LS2012, 33	FC-SW	Intel SSR212PPf	Y9, 16
126	IBM BladeCenter HS21 (Model 8853)52	VMware ESX Server v3.0.12, 3, 6, 8, 30	PCI-X	IBM: Emulex 4Gb SFF Fibre Channel Exp Card (39Y9186)12, 29, HS20 4GB SFF FC Exp Card (26R0890)12, 53, 55, HS20 FC Exp Card (13N2203)12, 53, 54, HS20 FC Exp Card (48P7061)12, 53	FC-SW	Intel SSR212PPf	Y9, 16
127	HPQ Proliant BL460c: (416653-B21), (416654-B21), (416655-B21), (416656-B21), (432636-B21); HPQ Proliant BL480c: (416666-B21), (416667-B21), (416668-B21), (416669-B21)	VMware ESX Server v3.0.2, 3, 6, 8, 30	PCI-X	HPQ QLogic QMH2462 4Gb FC HBA for HP c-Class Bladesystem (403619-B21)33, 56	FC-SW	Intel SSR212PPf	N
128	Dell PowerEdge 6850	VMware ESX Server: v2.5.22, 3, 5, 6, 7, v2.5.32, 3, 5, 6, 7	PCI Express	QLogic QLE2360-E-SP12, 20, 44	FC-SW	Intel SSR212PPf	Y9, 16
129	Dell PowerEdge: 1850, 2850, 6850; IBM xSeries: x336 (8837)43, x346 (8840)43	VMware ESX Server: v2.5.22, 3, 5, 6, 7, v2.5.32, 3, 5, 6, 7	PCI Express, PCI-X	QLogic QLA2340-E-SP20, 24	FC-SW	Intel SSR212PPf	Y9, 16
130	Dell PowerEdge: 1850, 2850	VMware ESX Server: v2.5.22, 3, 5, 6, 7, v2.5.32, 3, 5, 6, 7	PCI Express, PCI-X	QLogic QLE2360-E-SP12, 20, 36, 44	FC-SW	Intel SSR212PPf	Y9, 16
131	HPQ Proliant BL20p (G3)	VMware ESX Server: v2.5.22, 3, 5, 6, 7, v2.5.32, 3, 5, 6, 7	PCI-X14	HPQ Dual-port Fibre Channel Adapter for HP Proliant BL20p (G3) 361426-B2119, 20	FC-SW	Intel SSR212PPf	Y9, 16
VMware ESX Server							
No.	Host System	Operating System	Host Bus	Host Bus Adapter	Topology	Storage Array	External Boot
132	Fujitsu Siemens Primergy BX620: S2F57, S257; Fujitsu Siemens Primergy: BX62057 , BX630 (2-way)63, BX66057	VMware ESX Server: v2.5.22, 3, 5, 6, 7, v2.5.32, 3, 5, 6, 7, v2.5.41, 2, 3, 4, 5, 6, 7, 8	PCI	Fujitsu Siemens BX600-FC22Q12, 20, 24, 58	FC-SW	Intel SSR212PPf	Y9, 16
133	Dell PowerEdge: 1550, 255022, 6450; HPQ Proliant: DL360(G2)21 , DL36021, DL380(G3)21, DL58021; IBM xSeries: x330, x335; NEC Express 5800 140Hd	VMware ESX Server: v2.5.22, 3, 5, 6, 7, v2.5.32, 3, 5, 6, 7, v2.5.41, 2, 3, 4, 5, 6, 7, 8	PCI	QLogic QLA2340-E-SP20, 24	FC-SW	Intel SSR212PPf	Y9, 16
134	Dell PowerEdge 6850	VMware ESX Server: v2.5.22, 3, 5, 6, 7, v2.5.32, 3, 5, 6, 7, v2.5.41, 2, 3, 4, 5, 6, 7, 8	PCI Express, PCI-X	Dell 2362M20, 48, 49	FC-SW	Intel SSR212PPf	Y9, 16
135	Dell PowerEdge 1855	VMware ESX Server: v2.5.22, 3, 5, 6, 7, v2.5.32, 3, 5, 6, 7, v2.5.41, 2, 3, 4, 5, 6, 7, 8	PCI-X	Dell 2342M20, 24	FC-SW	Intel SSR212PPf	Y9, 16
136	HPQ Proliant BL45p	VMware ESX Server: v2.5.22, 3, 5, 6, 7, v2.5.32, 3, 5, 6, 7, v2.5.41, 2, 3, 4, 5, 6, 7, 8	PCI-X	HPQ Dual-port Fibre Channel Adapter for HP Proliant BL25p/BL45p 381881-B2120, 50	FC-SW	Intel SSR212PPf	Y9, 16
137	IBM BladeCenter HS20 (Model: 8678)35, 8832)35, 8832-N1X); IBM BladeCenter HS40 (Model 8839)	VMware ESX Server: v2.5.22, 3, 5, 6, 7, v2.5.32, 3, 5, 6, 7, v2.5.41, 2, 3, 4, 5, 6, 7, 8	PCI-X	IBM HS20 FC Exp Card (13N2203)20, 24	FC-SW	Intel SSR212PPf	Y9, 16

138	IBM BladeCenter HS20 (Model: 8678)35, 8832)35, 8832-N1X), 8843)	VMware ESX Server: v2.5.22, 3, 5, 6, 7, v2.5.32, 3, 5, 6, 7, v2.5.41, 2, 3, 4, 5, 6, 7, 8	PCI-X	IBM HS20 FC Exp Card (48P7061)12, 20, 24	FC-SW	Intel SSR212PPf	Y9, 16
139	IBM BladeCenter LS20 (Model 8850)	VMware ESX Server: v2.5.22, 3, 5, 6, 7, v2.5.32, 3, 5, 6, 7, v2.5.41, 2, 3, 4, 5, 6, 7, 8	PCI-X	IBM HS20 FC SFF Exp Card (26K4841) for IBM eServer LS2012, 20, 24	FC-SW	Intel SSR212PPf	Y9, 16
140	HPQ Proliant BL20p (G2)	VMware ESX Server: v2.5.22, 3, 5, 6, 7, v2.5.32, 3, 5, 6, 7, v2.5.41, 2, 3, 4, 5, 6, 7, 8	PCI-X14	HPQ Dual-port Fibre Channel Adapter for HP Proliant BL20p (G2) 300874-B2119, 20	FC-SW	Intel SSR212PPf	Y9, 16
141	HPQ Proliant BL25p	VMware ESX Server: v2.5.22, 3, 5, 6, 7, v2.5.32, 3, 5, 6, 7, v2.5.41, 2, 3, 4, 5, 6, 7, 8	PCI-X14	HPQ Dual-port Fibre Channel Adapter for HP Proliant BL25p/BL45p 381881-B2120, 50	FC-SW	Intel SSR212PPf	Y9, 16
142	HPQ Proliant BL35p	VMware ESX Server: v2.5.22, 3, 5, 6, 7, v2.5.32, 3, 5, 6, 7, v2.5.41, 2, 3, 4, 5, 6, 7, 8	PCI-X14	HPQ Dual-port Fibre Channel Adapter for HP Proliant BL30p/BL35p 354054-B2119, 20	FC-SW	Intel SSR212PPf	Y9, 16
143	HPQ Proliant BL30p	VMware ESX Server: v2.5.22, 3, 5, 6, 7, v2.5.32, 3, 5, 6, 7, v2.5.41, 2, 3, 4, 5, 6, 7, 8	PCI-X14	HPQ Dual-port Fibre Channel Adapter for HP Proliant BL30p/BL35p 354054-B2119, 27	FC-SW	Intel SSR212PPf	Y9, 16
144	IBM xSeries x3950/x3950E/x460 (8872, 8874)25	VMware ESX Server: v2.5.22, 3, 5, 6, 7, v2.5.32, 3, 5, 6, 7, v2.5.41, 2, 3, 4, 5, 6, 7, 8	PCI-X26	QLogic QLA2340-E-SP20, 24	FC-SW	Intel SSR212PPf	Y9, 16
145	IBM BladeCenter LS20 (Model 8850)	VMware ESX Server: v2.5.22, 3, 5, 6, 7, v2.5.32, 3, 5, 6, 7, v2.5.41, 2, 3, 4, 5, 6, 7, 8, v3.03, 6, 30, 31, v3.03, 6, 8, 30, 31	PCI-X	IBM HS20 FC Exp Card (13N2203) for IBM eServer LS2012, 20, 24	FC-SW	Intel SSR212PPf	Y9, 16
146	IBM BladeCenter HS20 (Model 8843)	VMware ESX Server: v2.5.22, 3, 5, 6, 7, v2.5.32, 3, 5, 6, 7, v2.5.41, 2, 3, 4, 5, 6, 7, 8, v3.03, 6, 30, 31, v3.03, 6, 8, 30, 31	PCI-X	IBM HS20 FC Exp Card (26K4841)12, 20, 24, 47	FC-SW	Intel SSR212PPf	Y9, 16
147	Dell PowerEdge: 1550, 255022 , 645023; HPQ Proliant: DL360(G2)21 , DL36021, DL380(G3)21, DL58021; IBM xSeries: x330, x335; NEC Express 5800: 120Rf-2, 140Hd, 140Rc-4, 180Rd-4, 180Rd-4	VMware ESX Server: v2.5.32, 3, 5, 6, 7, v2.5.41, 2, 3, 4, 5, 6, 7, 8	PCI	Emulex: LP1050-E10, 13, 18, LP982-E10, 13	FC-SW	Intel SSR212PPf	N9
148	NEC Express 5800: 120Rf-2, 140Hd, 140Rc-4, 180Rd-4	VMware ESX Server: v2.5.32, 3, 5, 6, 7, v2.5.41, 2, 3, 4, 5, 6, 7, 8	PCI	NEC N8190-120 (LP1050)10, 11, 13, 17	FC-SW	Intel SSR212PPf	N9
149	NEC Express 5800 110Rg-1	VMware ESX Server: v2.5.32, 3, 5, 6, 7, v2.5.41, 2, 3, 4, 5, 6, 7, 8	PCI Express, PCI-X	NEC N8190-120 (LP1050)10, 11, 13, 17	FC-SW	Intel SSR212PPf	N9
150	Fujitsu Siemens Primergy RX600 S2	VMware ESX Server: v2.5.32, 3, 5, 6, 7, v2.5.41, 2, 3, 4, 5, 6, 7, 8	PCI-X	Emulex LP1050-E10, 12, 13, 37	FC-SW	Intel SSR212PPf	N9
151	HPQ Proliant DL360(G4)21	VMware ESX Server: v2.5.32, 3, 5, 6, 7, v2.5.41, 2, 3, 4, 5, 6, 7, 8	PCI-X	Emulex LP1050Ex-E10, 11, 12, 13	FC-SW	Intel SSR212PPf	N9
152	Dell PowerEdge: 1650, 1750, 2600, 2650, 4600, 6600, 6650; HPQ Proliant: BL40p, DL360(G3)21 , DL360(G4)21, DL56021, DL74021 , DL760 (G2)21, DL76021 , ML570(G2)21, ML570(G3)21; IBM: eServer 326 (Model 8848), xSeries x235, xSeries x255, xSeries x360, xSeries x365, xSeries x3850/x366 (8863)25, xSeries x440; NEC Express 5800: 120Lh, 120Re-1, 120Rf-1, 120Rg-2, 120Rh-2, 420Ma; Sun: V20z, V40z	VMware ESX Server: v2.5.32, 3, 5, 6, 7, v2.5.41, 2, 3, 4, 5, 6, 7, 8	PCI-X	Emulex: LP1050-E10, 13, 18, LP982-E10, 13	FC-SW	Intel SSR212PPf	N9
VMware ESX Server							
No.	Host System	Operating System	Host Bus	Host Bus Adapter	Topology	Storage Array	External Boot
153	NEC Express 5800: 120Lh, 120Re-1, 120Rf-1, 120Rg-2, 120Rh-2, 140He, 140Rd-4	VMware ESX Server: v2.5.32, 3, 5, 6, 7, v2.5.41, 2, 3, 4, 5, 6, 7, 8	PCI-X	NEC N8190-120 (LP1050)10, 11, 13, 17	FC-SW	Intel SSR212PPf	N9
154	Dell PowerEdge: 1650, 1750, 2600, 2650, 4600, 6600, 6650;	VMware ESX Server: v2.5.32, 3, 5, 6, 7, v2.5.41, 2, 3, 4, 5, 6, 7, 8	PCI-X	QLogic QLA2340-E-SP20, 24	FC-SW	Intel SSR212PPf	Y9, 16

	Fujitsu Siemens Primergy: RX300 S2, TX300 S2; HPQ Proliant: BL40p, DL360(G3)21, DL360(G4)21, DL56021, DL74021, DL760(G2)21, DL76021, ML570(G2)21, ML570(G3)21; IBM: eServer 326 (Model 8848), xSeries x235, xSeries x255, xSeries x360, xSeries x365, xSeries x3850/x366 (8863)25, xSeries x440; NEC Express 5800 120Lh; Sun: V20z, V40z						
155	IBM xSeries x3950/x3950E/x460 (8672, 8874)25	VMware ESX Server: v2.5.32, 3, 5, 6, 7, v2.5.41, 2, 3, 4, 5, 6, 7, 8	PCI-X26	Emulex: LP1050-E10, 13, 18, LP982-E10, 13	FC-SW	Intel SSR212PP f	N9
156	HPQ Proliant: DL380(G4)21, DL580(G3)21	VMware ESX Server: v2.5.32, 3, 5, 6, 7, v2.5.41, 2, 3, 4, 5, 6, 7, 8	PCI, PCI-X	Emulex LP1050Ex-E10, 11, 12, 13	FC-SW	Intel SSR212PP f	N9
157	HPQ Proliant: DL380(G2)21, DL380(G4)21, DL38021, DL38521, DL580(G2)21, DL580(G3)21, DL58521, ML370(G3)21, ML370(G4)21; IBM: eServer 325 (Model 8835), xSeries x345 (8670), xSeries x445 (8870)	VMware ESX Server: v2.5.32, 3, 5, 6, 7, v2.5.41, 2, 3, 4, 5, 6, 7, 8	PCI, PCI-X	Emulex: LP1050-E10, 13, 18, LP982-E10, 13	FC-SW	Intel SSR212PP f	N9
158	HPQ Proliant: DL380(G2)21, DL380(G4)21, DL38021, DL38521, DL580(G2)21, DL580(G3)21, DL58521, ML370(G3)21, ML370(G4)21; IBM: eServer 325 (Model 8835), xSeries x345 (8670), xSeries x445 (8870)	VMware ESX Server: v2.5.32, 3, 5, 6, 7, v2.5.41, 2, 3, 4, 5, 6, 7, 8	PCI, PCI-X	QLogic QLA2340-E-SP20, 24	FC-SW	Intel SSR212PP f	Y9, 16
159	HPQ Proliant BL460c: (416653-B21), (416654-B21), (416655-B21), (416656-B21), (432636-B21); HPQ Proliant BL480c: (416666-B21), (416667-B21), (416668-B21), (416669-B21)	VMware ESX Server: v3.0.12, 3, 6, 8, 30, v3.02, 3, 6, 8, 30	PCI-X	HPQ Emulex LPe1105-HP 4Gb FC HBA for HP c-Class Bladesystem (403621-B21)29, 59, 60	FC-SW	Intel SSR212PP f	Y61, 62
160	IBM BladeCenter HS20 (Model: 8832)35, 8832-N1X, 8843); IBM BladeCenter: HS40 (Model 8839), LS20 (Model 8850)	VMware ESX Server: v3.03, 6, 30, 31, v3.03, 6, 8, 30, 31	PCI-X	IBM Emulex LP1005DC FC Exp Card12, 34	FC-SW	Intel SSR212PP f	Y9, 16
161	IBM BladeCenter HS20 (Model: 8832)35, 8832-N1X); IBM BladeCenter HS40 (Model 8839)	VMware ESX Server: v3.03, 6, 30, 31, v3.03, 6, 8, 30, 31	PCI-X	IBM HS20 FC Exp Card (13N2203)20, 24	FC-SW	Intel SSR212PP f	Y9, 16
162	IBM BladeCenter HS20 (Model: 8832)35, 8832-N1X, 8843)	VMware ESX Server: v3.03, 6, 30, 31, v3.03, 6, 8, 30, 31	PCI-X	IBM HS20 FC Exp Card (48P7061)12, 20	FC-SW	Intel SSR212PP f	Y9, 16
163	IBM BladeCenter LS20 (Model 8850)	VMware ESX Server: v3.03, 6, 30, 31, v3.03, 6, 8, 30, 31	PCI-X	IBM HS20 FC SFF Exp Card (26K4841) for IBM eServer LS2012, 20	FC-SW	Intel SSR212PP f	Y9, 16

- Replicas of application data volumes of physical (native) servers created using SnapView, MirrorView and SAN Copy can be presented to a VMware ESX Server. These replicas configured on the VMware ESX server must be Raw Device Mapping only (VMFS is not supported). Replicas of application data volumes configured as Raw Device Mapping volumes on a VMware ESX server can also be presented to a physical (native) server. Replication of Operating System volumes and application volumes from a physical to virtual or virtual to physical environment using CLARiiON replication software is not supported at this time. Replication of Operating System volumes, application volumes and application data volumes from a virtual to virtual environment using CLARiiON replication software is supported.
- Beginning with ESX Server v2.5.0 Navisphere components are supported as follows: Navi Agent and Server Utility at the console level only; Array Initialization Utility and CLI at both the console and VM levels; Browser interface to Navisphere Express or Navi Manager at the VM level only.
- Supported with VirtualCenter VMotion.
- Replication of both VMFS and Raw Device Mapping (RDM) volumes is supported using CLARiiON replication software (SnapView, MirrorView and SAN Copy) starting with Release 19. The OS/application as well as application data can be replicated using CLARiiON replication software.

Note:

- The virtual disks in a VMFS volume must be in persistent-mode during the replication process.
- CLARiiON VSS provider is not supported on VMFS volumes.
- If replicating an entire VMFS volume that contains a number of virtual disks on a single CLARiiON LUN, the granularity of replication is the entire LUN with all its virtual disks.
- Use the consistency technology available on SnapView/MirrorView, when making copies of VMFS volumes that span multiple CLARiiON LUNs.

- 5) The VMFS replica must be assigned to a different ESX server. The target ESX server must not already have access to the original source VMFS volume.
 - 6) For source LUNs configured as RDM volumes, the replica can be presented to the same ESX server but to a different Virtual Machine unless the guest OS is qualified to allow same host access.
 - 7) RDM volumes cannot be created when the ESX server is booting from SAN. VMFS volumes can be created when the ESX server is booting from SAN. If ESX server is not booting from SAN, Virtual Machines can be configured using either VMFS or RDM volumes.
 - 8) Ensure the snapshot is activated or clone fractured before presenting them to an ESX server.
 - 9) When replicating OS images, you will only have a crash consistent copy if the Virtual Machines are not shutdown during the replication process.
 - 10) Please note that replicating a suspended Virtual Machine will result in a crash consistent copy.
 - 11) Admsnap, Admhost utilities must be installed only on Virtual Machines. With admsnap or admhost installed on the Virtual Machine, most of the commands issued on VMFS volumes will fail, since VMFS volumes do not support scsi pass-through commands to talk to the CLARiiON. Use Navisphere Manager or Navisphere CLI instead. The only commands that will work with VMFS volumes are admsnap flush and admhost flush. Admsnap is not supported under Network Virtual Machines with either RDM or VMFS volumes.
5. Supported with VMFS and VMFS-2.
 6. PowerPath is not supported on VMWare ESX. The VMWare ESX native failover functionality is supported.
 7. While using an AX100-series storage system managed using Navisphere Express with VMware ESX Server, Snapshots cannot be assigned to the ESX server.
 8. Replication of both VMFS and Raw Device Mapping (RDM) volumes is supported using Symmetrix replication software (SRDF and TimeFinder). Please refer to the solution guide, 'VMware ESX Server Using EMC Symmetrix Storage Systems' for details. Replicas of application data volumes of physical (native) servers created using Symmetrix replication software can be presented to a VMware ESX Server.
Note:
 - 1) Replication of Operating System volumes and application volumes from a virtual to physical environment using Symmetrix replication software is not supported at this time.
 - 2) Replication of Operating System volumes, application volumes and application data volumes from a virtual to virtual environment using Symmetrix replication software is supported.
 9. Virtual machines running on VMWare ESX are supported booting from the array.
 10. BIOS 1.70a3 Available in the EMC-approved section of the Emulex website. <http://www.emulex.com>
 11. Firmware Version 1.91a5 Available in the EMC-approved section of the Emulex website. <http://www.emulex.com>
 12. SNIA HBA API Supported.
 13. Driver Version 2.01g This driver is included in the VMware ESX kernel.
 14. Dual port PCI-X fibre channel mezzanine card option is embedded. No PCI/PCI-X slots available.
 15. BIOS 1.70a3
 16. VMWare ESX Server itself is supported booting from external array.
 17. EMC supported drivers, firmware, and boot BIOS can be downloaded from <http://www.emulex.com> in the EMC section, by obtaining the supported driver for the Emulex LP1050-E.
 18. Firmware Version 1.91a5
 19. BIOS 1.45 Available in the EMC-approved section of the QLogic website. <http://www.qlogic.com>
 20. Driver Version 7.04.00 This driver is included in the VMware ESX kernel.
 21. HPQ (Compaq) Proliant server models that are not listed in the ESM but are only differentiated from supported models by an "R" designator, are rack-mountable servers and are supported.
 22. PowerEdge 2550 and PowerVault 775N support a maximum of 2 Emulex HBAs at one time and the total PCI power cannot exceed 20 Watts.
 23. Dell PowerEdge 6450 does not support Emulex LP9802/DC HBAs.
 24. BIOS 1.47 Available in the EMC-approved section of the QLogic website. <http://www.qlogic.com>
 25. Support for 4Gb fibre channel HBAs requires an IBM SPORE to be submitted to IBM.
 26. Accepts PCI-X 1.0 and 2.0 HBAs.
 27. Driver Version 7.04.00 Requires BIOS 1.45 (HP BL30p specific) available from QLogic at <http://www.qlogic.com> This driver is included in the VMware ESX kernel.
 28. Firmware Version 2.50a6
 29. Driver Version 7.3.2 This driver is included in the VMware ESX kernel.
 30. Supported with VMFS-3.
 31. Beginning with ESX Server v2.5.0 Navisphere components are supported as follows: Navi Agent and Server Utility at the console level only; Array Initialization Utility and CLI at both the console and VM levels; Browser interface to Navi Manager at the VM level only.
 32. BIOS 1.08
 33. Driver Version 7.07.00 This driver is included in the VMware ESX kernel.
 34. Driver Version 7.1.14 This driver is included in the VMware ESX kernel.
 35. EMC VolumeLogix Software required for multiple BladeServers when direct-attached to EMC Symmetrix storage.
 36. Requires BIOS 1.05 available from the EMC-approved section of the QLogic website at <http://www.qlogic.com>
 37. Firmware Version 1.91a1
 38. FCode Value 1.70a3
 39. Requires BIOS 1.47 available in the EMC-approved section of the QLogic website at <http://www.qlogic.com>
 40. BIOS 1.70a3 This driver is included in the VMware ESX kernel. Available in the EMC-approved section of the Emulex website. <http://www.emulex.com>
 41. Firmware Version 2.50a6 Available in the EMC-approved section of the Emulex website. <http://www.emulex.com>
 42. This HBA is equivalent to the QLogic QLA2340.

43. 4GB HBAs are not supported in this server. RPQs for 4GB HBAs will not be approved for this server.
44. BIOS 1.05 Available in the EMC-approved section of the QLogic website. <http://www.qlogic.com>
45. Firmware Version 2.10a9 Available in the EMC-approved section of the Emulex website. <http://www.emulex.com>
46. BIOS 1.17
47. Firmware Version 3.01.18
48. This dual port HBA is only supported on DELL PE 6850 in the right-most slot (seen from the rear of the server chassis) marked "FC"
49. BIOS 1.06 Available in the EMC-approved section of the QLogic website. <http://www.qlogic.com>
50. BIOS 1.48 Available in the EMC-approved section of the QLogic website. <http://www.qlogic.com>
51. This driver is included in the VMware ESX kernel.
52. **BladeCenter support for Windows 2000 operating systems requires an IBM SPORE to be submitted to IBM, then if approved by IBM, be subsequently submitted to EMC as an RPQ for review.**
53. Driver Version 7.07.04 This driver is included in the VMware ESX kernel.
54. BIOS 1.47
55. BIOS 1.12
56. BIOS 1.16
57. BX6xx-series systems use an embedded fibre channel controller. Contact Fujitsu Siemens to acquire the proper BIOS for the embedded fibre channel controller.
58. **FSC Fibre Channel module. Dual channel 2GBit/s HBA for BX6xx-series blade servers only.**
59. BIOS 6.00a1
60. Firmware Version 2.50a8
61. Booting from the SAN with PowerPath is supported. Refer to the Path Management Software section for supported versions of PowerPath.
62. VxVM is not supported on servers booting from the array.
63. Only supported in a boot from SAN configuration.

Microsoft Windows* Cluster Software

Windows 2000

EMC has qualified the following cluster software. Please refer to the Base Connectivity table(s) for information concerning server models, HBAs, drivers, firmware, operating system requirements and other special notes.

Microsoft Windows 2000							
No.	Operating System	Cluster Software	Max # Nodes	Infrastructure Software	Server LVM	Storage Array	Comments
1	Microsoft Windows 2000: Advanced Server SP4, Server SP4	Microsoft MSCS1, 2	HA: 2	EMC PowerPath: 4.3.1, 4.4.1, 4.5.0, 4.5.1	Veritas VxVM: 4.0, 4.1, 4.2 (Storage Foundation), 4.3 (Storage Foundation)	Intel SSR212PPf	See3

1. Cluster software is not supported on Stratus ftServers.
2. Valid MSCS quorum resource configurations include both 'shared disk quorum' and 'majority node set' schemes.
3. EMC provides troubleshooting and other technical notes for MSCS cluster solutions. Visit EMC Powerlink and download part number 300-003-012 for the MSCS Troubleshooting/Technical Notes documentation.

Windows 2003 (X64)

EMC has qualified the following cluster software. Please refer to the Base Connectivity table(s) for information concerning server models, HBAs, drivers, firmware, operating system requirements and other special notes.

Microsoft Windows 2003 [x64]							
No.	Operating System	Cluster Software	Max # Nodes	Infrastructure Software	Server LVM	Storage Array	Comments
1	Microsoft Windows 2003 [x64]: DataCenter, DataCenter R2, Enterprise Edition, Enterprise Edition R2, Storage Server Enterprise Edition R2	Microsoft MSCS1	HA: 8	EMC PowerPath: 4.4.1, 4.5.0, 4.5.1, 4.6.0, 4.6.1	Veritas VxVM: 4.0, 4.1, 4.2 (Storage Foundation), 4.3 (Storage Foundation)	Intel SSR212PPf	See2

1. Valid MSCS quorum resource configurations include both 'shared disk quorum' and 'majority node set' schemes.
2. EMC provides troubleshooting and other technical notes for MSCS cluster solutions. Visit EMC Powerlink and download part number 300-003-012 for the MSCS Troubleshooting/Technical Notes documentation.

Windows 2003 (X86)

EMC has qualified the following cluster software. Please refer to the Base Connectivity table(s) for information concerning server models, HBAs, drivers, firmware, operating system requirements and other special notes.

Microsoft Windows 2003 [x86]							
No.	Operating System	Cluster Software	Max # Nodes	Infrastructure Software	Server LVM	Storage Array	Comments
1	Microsoft Windows 2003 [x86]: DataCenter, DataCenter R2, DataCenter SP1, Enterprise Edition, Enterprise Edition R2, Enterprise Edition SP1, Storage Server, Storage Server Enterprise Edition, Storage Server Enterprise Edition R2, Storage Server Enterprise Edition SP1, Storage Server R2, Storage Server SP1	Microsoft MSCS1, 2	HA: 8	EMC PowerPath: 4.3.1, 4.4.1, 4.5.0, 4.5.1, 4.6.0, 4.6.1	Veritas VxVM: 4.0, 4.1, 4.2 (Storage Foundation), 4.3 (Storage Foundation)	Intel SSR212PPf	See3

1. Cluster software is not supported on Stratus ftServers.
2. Valid MSCS quorum resource configurations include both 'shared disk quorum' and 'majority node set' schemes.
3. EMC provides troubleshooting and other technical notes for MSCS cluster solutions. Visit EMC Powerlink and download part number 300-003-012 for the MSCS Troubleshooting/Technical Notes documentation.

Red Hat* Linux Cluster Software

Red Hat RHEL (32-Bit)

EMC has qualified the following cluster software. Please refer to the Base Connectivity table(s) for information concerning server models, HBAs, drivers, firmware, operating system requirements and other special notes.

Red Hat RHEL [32-Bit]

No.	Operating System	Cluster Software	Infrastructure Software	Storage Array
1	Red Hat RHEL [32-Bit] 3.0: U6 AS/ES v2.4.21-37.EL, U6+ AS/ES v2.4.21-37.0.1.EL, U7 AS/ES v2.4.21-40.EL	NEC ClusterPro SE 3, Express Cluster 3	EMC PowerPath 4.3.4	Intel SSR212PPf
2	Red Hat RHEL [32-Bit] 4.0: U3 AS/ES v2.6.9-34.EL, U3+ AS/ES v2.6.9-34.0.1.EL, U3+ AS/ES v2.6.9-34.0.2.EL	NEC ClusterPro SE 3, Express Cluster 3	EMC PowerPath 4.5.1	Intel SSR212PPf

Red Hat RHEL (EM64T)

EMC has qualified the following cluster software. Please refer to the Base Connectivity table(s) for information concerning server models, HBAs, drivers, firmware, operating system requirements and other special notes.

Red Hat RHEL [EM64T]				
No.	Operating System	Cluster Software	Infrastructure Software	Storage Array
1	Red Hat RHEL [EM64T] 3.0: U6 AS/ES v2.4.21-37.EL, U6+ AS/ES v2.4.21-37.0.1.EL, U7 AS/ES v2.4.21-40.EL	NEC ClusterPro SE 3, Express Cluster 3	EMC PowerPath 4.3.4	Intel SSR212PPf
2	Red Hat RHEL [EM64T] 4.0: U3 AS/ES v2.6.9-34.EL, U3+ AS/ES v2.6.9-34.0.1.EL, U3+ AS/ES v2.6.9-34.0.2.EL	NEC ClusterPro SE 3, Express Cluster 3	EMC PowerPath 4.5.1	Intel SSR212PPf

Red Hat RHEL [IA64]

EMC has qualified the following cluster software. Please refer to the Base Connectivity table(s) for information concerning server models, HBAs, drivers, firmware, operating system requirements and other special notes.

Red Hat RHEL [IA64]				
No.	Operating System	Cluster Software	Infrastructure Software	Storage Array
1	Red Hat RHEL [IA64] 4.0: U3 AS/ES v2.6.9-34.EL, U3+ AS/ES v2.6.9-34.0.1.EL, U3+ AS/ES v2.6.9-34.0.2.EL	NEC ClusterPro SE 3, Express Cluster 3	EMC PowerPath 4.5.1	Intel SSR212PPf

Fibre Channel Switch Connectivity

Fibre Switches: Windows 2000

Microsoft Windows 2000									
No.	Operating System	Host Bus Adapter	Switch	Fanin	Fanout	Luns/Storage Port	Luns/HBA	Port Sharing	Storage Array
1	Microsoft Windows 2000 Advanced Server: SP4, SP42; Microsoft Windows 2000 Server SP4	Dell 2362M	EMC Connectrix: DS-4400M, DS-4700M; McDATA: ES-4400, ES-4700	15	15	256	128, 256	Y	Intel SSR212PPf
2	Microsoft Windows 2000 Advanced Server: SP4, SP42; Microsoft Windows 2000 Server SP4	Emulex LP1050Ex-E	EMC Connectrix: DS-4400M, DS-4700M; McDATA: ES-4400, ES-4700	15	15	256	223, 256	Y	Intel SSR212PPf
3	Microsoft Windows 2000 Advanced Server: SP4, SP42; Microsoft Windows 2000 Server SP4	Emulex: LPe111-E, LPe1150-E; HPQ: A7560A (LP1050Ex), A8002A/FC2142SR (LPe1150); NEC: N8190-127 (LPe1150), N8803-031 (QLA2310F); QLogic QLE220-E-SP	EMC Connectrix: DS-4400M, DS-4700M; McDATA: ES-4400, ES-4700	15	15	256	256	Y	Intel SSR212PPf
4	Microsoft Windows 2000 Advanced Server: SP4, SP42; Microsoft Windows 2000: Datacenter SP4, Server SP4	Emulex: LP1050-E, LP982-E; HPQ: A7298A (LP982), A7388A (LP1050), FCA2214 (QLA2340), FCA2408 (LP982); QLogic: QLA2310F-E-SP, QLA2340-E-SP; Unisys FCH752313-PCX (LP1050)	EMC Connectrix: DS-4400M, DS-4700M; McDATA: ES-4400, ES-4700	15	15	256	223, 256	Y	Intel SSR212PPf
5	Microsoft Windows 2000 Advanced Server: SP4, SP42; Microsoft Windows 2000: Datacenter SP4, Server SP4	Emulex: LP1150-E, LP982-E; IBM 39M5894 (QLA2460); QLogic: QLA2310F-E-SP, QLA2340-E-SP, QLA2460-E-SP, QLE2460-E-SP, QLE2462-E-SP	EMC Connectrix: DS-4400M, DS-4700M; McDATA: ES-4400, ES-4700	15	15	256	256	Y	Intel SSR212PPf
6	Microsoft Windows 2000 Advanced Server: SP4, SP42; Microsoft Windows 2000: Datacenter SP4, Server SP4	NEC N8190-120 (LP1050); QLogic QLE2360-E-SP	EMC Connectrix: DS-4400M, DS-4700M; McDATA: ES-4400, ES-4700	15	15	256	128, 256	Y	Intel SSR212PPf
7	Microsoft Windows 2000 Datacenter SP4	IBM 19K1246 (QLA2310)	EMC Connectrix: DS-4400M, DS-4700M; McDATA: ES-4400, ES-4700	15	15	256	256	Y	Intel SSR212PPf
8	Microsoft Windows 2000: Advanced Server SP4, Datacenter SP4, Server SP4	Emulex LP1050-E; HPQ: A7298A (LP982), A7388A (LP1050), FCA2214 (QLA2340), FCA2408 (LP982); IBM 24P0960 (QLA2340)	EMC Connectrix: DS-4400M, DS-4700M; McDATA: ES-4400, ES-4700	15	15	256	256	Y	Intel SSR212PPf
9	Microsoft Windows 2000: Advanced Server SP4, Server SP4	Dell 2342M	Dell: Brocade 1/2Gb FC Switch Module (SW3014), McDATA FC Switch Module (SW4314)	15	15	256	256	Y	Intel SSR212PPf
10	Microsoft Windows 2000: Advanced Server SP4, Server SP4	Dell: 2342M, LPe1105-M, QME2462	Dell: Brocade 4Gb FC Switch Module (SW4016), McDATA FC Switch Module (SW4416)	15	15	256	256	Y	Intel SSR212PPf
11	Microsoft Windows 2000: Advanced Server SP4, Server SP4	Emulex: LP101-E, LP982-E; QLogic: QLA200-E-SP, QLA210-E-SP, QLA2340-E-SP	Brocade SilkWorm: 205E, 207E; EMC Connectrix: 3250-VL2E4, DS-220B-FF-D1, DS-8B2-ODL; McDATA ES-43003; QLogic SANBox: SB1404-10AJ-E, SB3050-08A-E	15	15	256	128	Y	Intel SSR212PPf

12	Microsoft Windows 2000: Advanced Server SP4, Server SP4	IBM 39M5894 (QLA2460); QLogic: QLA2460-E-SP, QLE220-E-SP, QLE2460-E-SP, QLE2462-E-SP	Brocade Silkworm: 205E, 207E; EMC Connectrix: 3250-VL2E4, DS-220B-FF-D1, DS-8B2-0DL; McDATA ES-43003; QLogic SANBox: SB1404-10AJ-E, SB3050-08A-E	15	15	256	256	Y	Intel SSR212PPf
Microsoft Windows 2000									
No.	Operating System	Host Bus Adapter	Switch	Fanin	Fanout	Luns/Storage Port	Luns/HBA	Port Sharing	Storage Array
13	Microsoft Windows 2000: Advanced Server SP4, Server SP4	QLogic QLE2360-E-SP	Brocade Silkworm: 205E, 207E; EMC Connectrix: 3250-VL2E4, DS-220B-FF-D1, DS-8B2-0DL; McDATA ES-43003; QLogic SANBox: SB1404-10AJ-E, SB3050-08A-E	15	15	256	128, 256	Y	Intel SSR212PPf

1. Dell offers the following versions of the DS-220B-FF-D switch: DS-210B-DE and DS-210B-DEU. Please reference the Dell website for further information.
2. Windows 2000 hosts running less than SP4 could be susceptible to data loss during LUN expansion operations. This issue is corrected by Microsoft in SP4, or by applying hotfix 327020. See EMC Solution IS emc73538 and Microsoft Knowledge Base article 327020 for more information.
3. The minimum firmware revision for the ES-4300 is 5.05.00 (This firmware revision is only to be used on ES-4300)
4. This switch is offered by Dell as the Brocade VL2 LC.

Fibre Switches: Windows 2003 (X64)

Microsoft Windows 2003 [x64]									
No.	Operating System	Host Bus Adapter	Switch	Fanin	Fanout	Luns/Storage Port	Luns/HBA	Port Sharing	Storage Array
1	Microsoft Windows 2003 [x64] Enterprise: Edition, Edition R2; Microsoft Windows 2003 [x64] Standard: Edition, Edition R2	Dell 2342M	Dell: Brocade 1/2Gb FC Switch Module (SW3014), McDATA FC Switch Module (SW4314)	15	15	256	256	Y	Intel SSR212PPf
2	Microsoft Windows 2003 [x64] Enterprise: Edition, Edition R2; Microsoft Windows 2003 [x64] Standard: Edition, Edition R2	Dell 2362M; NEC N8190-120 (LP1050); QLogic QLE2360-E-SP	EMC Connectrix: DS-4400M, DS-4700M; McDATA: ES-4400, ES-4700	15	15	256	128, 256	Y	Intel SSR212PPf
3	Microsoft Windows 2003 [x64] Enterprise: Edition, Edition R2; Microsoft Windows 2003 [x64] Standard: Edition, Edition R2	Dell: 2342M, LPe1105-M, QME2462	Dell: Brocade 4Gb FC Switch Module (SW4016), McDATA FC Switch Module (SW4416)	15	15	256	256	Y	Intel SSR212PPf
4	Microsoft Windows 2003 [x64] Enterprise: Edition, Edition R2; Microsoft Windows 2003 [x64] Standard: Edition, Edition R2	Emulex LP1150-E; HPQ: A7298A (LP982), A7388A (LP1050), A7560A (LP1050Ex), A8002A/FC2142SR (LPe1150), FCA2214 (QLA2340), FCA2408 (LP982); IBM: 19K1246 (QLA2310), 24P0960 (QLA2340), 39M5894 (QLA2460); NEC: N8190-127 (LPe1150), N8803-031 (QLA2310F); QLogic QLA2460-E-SP	EMC Connectrix: DS-4400M, DS-4700M; McDATA: ES-4400, ES-4700	15	15	256	256	Y	Intel SSR212PPf

5	Microsoft Windows 2003 [x64] Enterprise: Edition, Edition R2; Microsoft Windows 2003 [x64] Standard: Edition, Edition R2	Emulex LP982-E; QLogic QLA2340-E-SP	Brocade Silkworm: 205E, 207E; EMC Connectrix: 3250-VL2E2, DS-220B-FF-D1, DS-8B2-0DL; McDATA ES-43003; QLogic SANBox: SB1404-10AJ-E, SB3050-08A-E	15	15	256	128	Y	Intel SSR212PP f
6	Microsoft Windows 2003 [x64] Enterprise: Edition, Edition R2; Microsoft Windows 2003 [x64] Standard: Edition, Edition R2	Emulex: LP1050-E, LP1050Ex-E, LP982-E; HPQ: A7298A (LP982), A7388A (LP1050), FCA2214 (QLA2340), FCA2408 (LP982); QLogic: QLA2310F-E-SP, QLA2340-E-SP; Unisys FCH752313-PCX (LP1050)	EMC Connectrix: DS-4400M, DS-4700M; McDATA: ES-4400, ES-4700	15	15	256	223, 256	Y	Intel SSR212PP f
7	Microsoft Windows 2003 [x64] Enterprise: Edition, Edition R2; Microsoft Windows 2003 [x64] Standard: Edition, Edition R2	HPQ: A7298A (LP982), A7388A (LP1050), FCA2214 (QLA2340), FCA2408 (LP982)	Brocade Silkworm: 205E, 207E; EMC Connectrix DS-220B-FF-D1; McDATA ES-43003	15	15	256	223, 256	Y	Intel SSR212PP f
8	Microsoft Windows 2003 [x64] Enterprise: Edition, Edition R2; Microsoft Windows 2003 [x64] Standard: Edition, Edition R2	HPQ: A7298A (LP982), A7388A (LP1050), FCA2214 (QLA2340), FCA2408 (LP982); IBM: 24P0960 (QLA2340), 39M5894 (QLA2460); QLogic QLA2460-E-SP	Brocade Silkworm: 205E, 207E; EMC Connectrix DS-220B-FF-D1; McDATA ES-43003	15	15	256	256	Y	Intel SSR212PP f

Microsoft Windows 2003 [x64]

No.	Operating System	Host Bus Adapter	Switch	Fanin	Fanout	Luns/Storage Port	Luns/HBA	Port Sharing	Storage Array
9	Microsoft Windows 2003 [x64] Enterprise: Edition, Edition R2; Microsoft Windows 2003 [x64] Standard: Edition, Edition R2	IBM 39M5894 (QLA2460); QLogic QLA2460-E-SP	EMC Connectrix: 3250-VL2E2, DS-8B2-0DL; QLogic SANBox: SB1404-10AJ-E, SB3050-08A-E	15	15	256	256	Y	Intel SSR212PP f
10	Microsoft Windows 2003 [x64] Enterprise: Edition, Edition R2; Microsoft Windows 2003 [x64] Standard: Edition, Edition R2	NEC N8190-120 (LP1050); QLogic QLE2360-E-SP	Brocade Silkworm: 205E, 207E; EMC Connectrix DS-220B-FF-D1; McDATA ES-43003	15	15	256	128, 256	Y	Intel SSR212PP f
11	Microsoft Windows 2003 [x64] Enterprise: Edition, Edition R2; Microsoft Windows 2003 [x64] Standard: Edition, Edition R2	QLogic QLE2360-E-SP	EMC Connectrix: 3250-VL2E2, DS-8B2-0DL; QLogic SANBox: SB1404-10AJ-E, SB3050-08A-E	15	15	256	128, 256	Y	Intel SSR212PP f
12	Microsoft Windows 2003 [x64] Enterprise: Edition, Edition R2; Microsoft Windows 2003 [x64] Standard: Edition, Edition R2; Microsoft Windows 2003 [x64] Storage Server: Enterprise Edition R2, Standard Edition R2	Emulex: LP1050-E, LP982-E, LPe111-E, LPe1150-E; QLogic: QLA2310F-E-SP, QLA2340-E-SP, QLE220-E-SP	EMC Connectrix: DS-4400M, DS-4700M; McDATA: ES-4400, ES-4700	15	15	256	256	Y	Intel SSR212PP f

13	Microsoft Windows 2003 [x64] Enterprise: Edition, Edition R2; Microsoft Windows 2003 [x64] Standard: Edition, Edition R2; Microsoft Windows 2003 [x64] Storage Server: Enterprise Edition R2, Standard Edition R2	QLogic QLE220-E-SP	Brocade Silkworm: 205E, 207E; EMC Connectrix: 3250-VL2E2, DS-220B-FF-D1, DS-8B2-0DL; McDATA ES-43003; QLogic SANBox: SB1404-10AJ-E, SB3050-08A-E	15	15	256	256	Y	Intel SSR212PPf
14	Microsoft Windows 2003 [x64] Enterprise: Edition, Edition R2; Microsoft Windows 2003 [x64] Standard: Edition, Edition R2; Microsoft Windows 2003 [x64] Storage Server: Enterprise Edition R2, Standard Edition R2; Microsoft Windows 2003 [x64] Unified Data Storage Server	QLogic: QLE2460-E-SP, QLE2462-E-SP	Brocade Silkworm: 205E, 207E; EMC Connectrix: 3250-VL2E2, DS-220B-FF-D1, DS-4400M, DS-4700M, DS-8B2-0DL; McDATA: ES-43003, ES-4400, ES-4700; QLogic SANBox: SB1404-10AJ-E, SB3050-08A-E	15	15	256	256	Y	Intel SSR212PPf
15	Microsoft Windows 2003 [x64] Storage Server: Enterprise Edition R2, Standard Edition R2	Emulex LP1050Ex-E; QLogic QLE2360-E-SP	EMC Connectrix: DS-4400M, DS-4700M; McDATA: ES-4400, ES-4700	15	15	256	256	Y	Intel SSR212PPf
16	Microsoft Windows 2003 [x64] Storage Server: Enterprise Edition R2, Standard Edition R2	Emulex: LP1050-E, LP1050Ex-E, LP982-E, LPe111-E, LPe1150-E; QLogic: QLA2340-E-SP, QLE2360-E-SP	Brocade Silkworm: 205E, 207E; EMC Connectrix: 3250-VL2E2, DS-220B-FF-D1, DS-8B2-0DL; McDATA ES-43003; QLogic SANBox: SB1404-10AJ-E, SB3050-08A-E	15	15	256	256	Y	Intel SSR212PPf

1. Dell offers the following versions of the DS-220B-FF-D switch: DS-210B-DE and DS-210B-DEU. Please reference the Dell website for further information.
2. This switch is offered by Dell as the Brocade VL2 LC.
3. The minimum firmware revision for the ES-4300 is 5.05.00 (This firmware revision is only to be used on ES-4300)

Fibre Switches: Windows 2003 (X86)

Microsoft Windows 2003 [x86]									
No.	Operating System	Host Bus Adapter	Switch	Fanin	Fanout	Luns/Storage Port	Luns/HBA	Port Sharing	Storage Array
1	Microsoft Windows 2003 [x86] Enterprise: Edition, Edition R2, Edition SP1; Microsoft Windows 2003 [x86] Standard:	Dell 2342M	Dell: Brocade 1/2Gb FC Switch Module (SW3014), McDATA FC Switch Module	15	15	256	256	Y	Intel SSR212PPf

Edition, Edition R2, Edition SP1		(SW4314)							
Microsoft Windows 2003 [x86]									
No.	Operating System	Host Bus Adapter	Switch	Fanin	Fanout	Luns/Storag e Port	Luns/HBA	Port Sharing	Storage Array
2	Microsoft Windows 2003 [x86] Enterprise: Edition, Edition R2, Edition SP1; Microsoft Windows 2003 [x86] Standard: Edition, Edition R2, Edition SP1	Dell 2362M	EMC Connectrix: DS-4400M, DS-4700M; McDATA: ES-4400, ES-4700	15	15	256	128, 256	Y	Intel SSR212PP f
3	Microsoft Windows 2003 [x86] Enterprise: Edition, Edition R2, Edition SP1; Microsoft Windows 2003 [x86] Standard: Edition, Edition R2, Edition SP1	Dell: 2342M, LPe1105-M, QME2462	Dell: Brocade 4Gb FC Switch Module (SW4016), McDATA FC Switch Module (SW4416)	15	15	256	256	Y	Intel SSR212PP f
4	Microsoft Windows 2003 [x86] Enterprise: Edition, Edition R2, Edition SP1; Microsoft Windows 2003 [x86] Standard: Edition, Edition R2, Edition SP1	Emulex LP1050Ex-E; HPQ: A7298A (LP982), FCA2214 (QLA2340), FCA2408 (LP982)	EMC Connectrix: DS-4400M, DS-4700M; McDATA: ES-4400, ES-4700	15	15	256	223, 256	Y	Intel SSR212PP f
5	Microsoft Windows 2003 [x86] Enterprise: Edition, Edition R2, Edition SP1; Microsoft Windows 2003 [x86] Standard: Edition, Edition R2, Edition SP1	Emulex: LP101-E, LP982-E; QLogic: QLA200-E-SP, QLA210-E-SP, QLA2340-E-SP	Brocade Silkworm: 205E, 207E; EMC Connectrix: 3250-VL2E2, DS-220B-FF-D3, DS-8B2-0DL; McDATA ES-43001; QLogic SANBox: SB1404-10AJ-E, SB3050-08A-E	15	15	256	128	Y	Intel SSR212PP f
6	Microsoft Windows 2003 [x86] Enterprise: Edition, Edition R2, Edition SP1; Microsoft Windows 2003 [x86] Standard: Edition, Edition R2, Edition SP1	HPQ: A7298A (LP982), A7388A (LP1050), FCA2214 (QLA2340), FCA2408 (LP982)	Brocade Silkworm: 205E, 207E; EMC Connectrix DS-220B-FF-D3; McDATA ES-43001	15	15	256	223, 256	Y	Intel SSR212PP f
7	Microsoft Windows 2003 [x86] Enterprise: Edition, Edition R2, Edition SP1; Microsoft Windows 2003 [x86] Standard: Edition, Edition R2, Edition SP1	HPQ: A7298A (LP982), A7388A (LP1050), FCA2214 (QLA2340), FCA2408 (LP982); IBM 24P0960 (QLA2340)	Brocade Silkworm: 205E, 207E; EMC Connectrix DS-220B-FF-D3; McDATA ES-43001	15	15	256	256	Y	Intel SSR212PP f
8	Microsoft Windows 2003 [x86] Enterprise: Edition, Edition R2, Edition SP1; Microsoft Windows 2003 [x86] Standard: Edition, Edition R2, Edition SP1	HPQ: A7298A (LP982), A7560A (LP1050Ex), FCA2214 (QLA2340), FCA2408 (LP982); IBM: 19K1246 (QLA2310), 24P0960 (QLA2340); NEC N8803-031 (QLA2310F)	EMC Connectrix: DS-4400M, DS-4700M; McDATA: ES-4400, ES-4700	15	15	256	256	Y	Intel SSR212PP f
9	Microsoft Windows 2003 [x86] Enterprise: Edition, Edition R2, Edition SP1; Microsoft Windows 2003 [x86] Standard: Edition, Edition R2, Edition SP1	NEC N8190-120 (LP1050); QLogic QLE2360-E-SP	Brocade Silkworm: 205E, 207E; EMC Connectrix DS-220B-FF-D3; McDATA ES-43001	15	15	256	128, 256	Y	Intel SSR212PP f
10	Microsoft Windows 2003 [x86] Enterprise: Edition, Edition R2, Edition SP1; Microsoft Windows 2003 [x86] Standard: Edition, Edition R2, Edition SP1	QLogic QLE2360-E-SP	EMC Connectrix: 3250-VL2E2, DS-8B2-0DL; QLogic SANBox: SB1404-10AJ-E, SB3050-08A-E	15	15	256	128, 256	Y	Intel SSR212PP f
11	Microsoft Windows 2003 [x86] Enterprise: Edition, Edition R2, Edition SP1; Microsoft Windows 2003 [x86] Standard: Edition, Edition R2, Edition SP1; Microsoft Windows 2003 [x86] Storage: Server, Server SP1	Emulex: LPe111-E, LPe1150-E; HPQ: A8002A/FC2142SR (LPe1150); NEC N8190-127 (LPe1150); QLogic QLE220-E-SP	EMC Connectrix: DS-4400M, DS-4700M; McDATA: ES-4400, ES-4700	15	15	256	256	Y	Intel SSR212PP f

12	Microsoft Windows 2003 [x86] Enterprise: Edition, Edition R2, Edition SP1; Microsoft Windows 2003 [x86] Standard: Edition, Edition R2, Edition SP1; Microsoft Windows 2003 [x86] Storage: Server, Server SP1	IBM 39M5894 (QLA2460); QLogic: QLA2460-E-SP, QLE220-E-SP, QLE2460-E-SP, QLE2462-E-SP	Brocade Silkworm: 205E, 207E; EMC Connectrix: 3250-VL2E2, DS-220B-FF-D3, DS-8B2-ODL; McDATA ES-43001; QLogic SANBox: SB1404-10AJ-E, SB3050-08A-E	15	15	256	256	Y	Intel SSR212PPf
13	Microsoft Windows 2003 [x86] Storage: Server, Server SP1	EMC Integrated for Netwin 200	Brocade Silkworm: 205E, 207E; EMC Connectrix: 3250-VL2E2, DS-220B-FF-D3, DS-8B2-ODL; McDATA ES-43001	15	15	256	128	Y	Intel SSR212PPf
Microsoft Windows 2003 [x86]									
No.	Operating System	Host Bus Adapter	Switch	Fanin	Fanout	Luns/Storage Port	Luns/HBA	Port Sharing	Storage Array
14	Microsoft Windows 2003 [x86] Storage: Server, Server SP1	EMC: Integrated, Integrated for Netwin 200	EMC Connectrix: DS-4400M, DS-4700M; McDATA: ES-4400, ES-4700	15	15	256	128	Y	Intel SSR212PPf
15	Microsoft Windows 2003 [x86] Storage: Server, Server SP1	Emulex LP1050Ex-E; QLogic QLE2360-E-SP	EMC Connectrix: DS-4400M, DS-4700M; McDATA: ES-4400, ES-4700	15	15	256	256	Y	Intel SSR212PPf
16	Microsoft Windows 2003 [x86] Storage: Server, Server SP1	Emulex: LP1050-E, LP1050Ex-E, LP1150-E, LP982-E, LPe111-E, LPe1150-E; HPQ A8002A/FC2142SR (LPe1150); NEC N8190-127 (LPe1150); QLogic: QLA2340-E-SP, QLE2360-E-SP	Brocade Silkworm: 205E, 207E; EMC Connectrix: 3250-VL2E2, DS-220B-FF-D3, DS-8B2-ODL; McDATA ES-43001; QLogic SANBox: SB1404-10AJ-E, SB3050-08A-E	15	15	256	256	Y	Intel SSR212PPf
17	Microsoft Windows 2003 [x86]: DataCenter, DataCenter R2, DataCenter SP1, Enterprise Edition, Enterprise Edition R2, Enterprise Edition SP1, Standard Edition, Standard Edition R2, Standard Edition SP1	Emulex: LP1050-E, LP982-E; HPQ A7388A (LP1050); QLogic: QLA2310F-E-SP, QLA2340-E-SP; Unisys FCH752313-PCX (LP1050)	EMC Connectrix: DS-4400M, DS-4700M; McDATA: ES-4400, ES-4700	15	15	256	223, 256	Y	Intel SSR212PPf
18	Microsoft Windows 2003 [x86]: DataCenter, DataCenter R2, DataCenter SP1, Enterprise Edition, Enterprise Edition R2, Enterprise Edition SP1, Standard Edition, Standard Edition R2, Standard Edition SP1	HPQ A7388A (LP1050)	EMC Connectrix: DS-4400M, DS-4700M; McDATA: ES-4400, ES-4700	15	15	256	256	Y	Intel SSR212PPf
19	Microsoft Windows 2003 [x86]: DataCenter, DataCenter R2, DataCenter SP1, Enterprise Edition, Enterprise Edition R2, Enterprise Edition SP1, Standard Edition, Standard Edition R2, Standard Edition SP1	NEC N8190-120 (LP1050); QLogic QLE2360-E-SP	EMC Connectrix: DS-4400M, DS-4700M; McDATA: ES-4400, ES-4700	15	15	256	128, 256	Y	Intel SSR212PPf
20	Microsoft Windows 2003 [x86]: DataCenter, DataCenter R2, DataCenter SP1, Enterprise Edition, Enterprise Edition R2, Enterprise Edition SP1, Standard Edition, Standard Edition R2, Standard Edition SP1, Storage Server, Storage Server SP1	Emulex: LP1050-E, LP1150-E, LP982-E; IBM 39M5894 (QLA2460); QLogic: QLA2310F-E-SP, QLA2340-E-SP, QLA2460-E-SP, QLE2460-E-SP, QLE2462-E-SP	EMC Connectrix: DS-4400M, DS-4700M; McDATA: ES-4400, ES-4700	15	15	256	256	Y	Intel SSR212PPf

1. The minimum firmware revision for the ES-4300 is 5.05.00 (This firmware revision is only to be used on ES-4300)
2. This switch is offered by Dell as the Brocade VL2 LC.
3. Dell offers the following versions of the DS-220B-FF-D switch: DS-210B-DE and DS-210B-DEU. Please reference the Dell website for further information.

Fibre Switches: Red Hat Linux RHEL* (32-Bit)

Red Hat RHEL [32-Bit]									
No.	Operating System	Host Bus Adapter	Switch	Fanin	Fanout	Luns/Storage Port	Luns/HBA	Port Sharing	Storage Array
1	Red Hat RHEL [32-Bit] 3.0: U2 AS/ES v2.4.21-15.EL, U2+ AS/ES v2.4.21-15.0.2.EL, U2+ AS/ES v2.4.21-15.0.3.EL, U2+ AS/ES v2.4.21-15.0.4.EL, U3 AS/ES v2.4.21-20.EL, U4 AS/ES v2.4.21-27.EL, U4+ AS/ES v2.4.21-27.0.1.EL, U4+ AS/ES v2.4.21-27.0.2.EL, U4+ AS/ES v2.4.21-27.0.4.EL, U5 AS/ES v2.4.21-32.EL, U5+ AS/ES v2.4.21-32.0.1.EL, U6 AS/ES v2.4.21-37.EL, U6+ AS/ES v2.4.21-37.0.1.EL, U7 AS/ES v2.4.21-40.EL, U8 AS/ES v2.4.21-47.EL; Red Hat RHEL [32-Bit] 4.0 AS/ES: v2.6.9-5.0.5.EL, v2.6.9-5.EL; Red Hat RHEL [32-Bit] 4.0: U1 AS/ES v2.6.9-11.EL, U2 AS/ES v2.6.9-22.EL, U2+ AS/ES v2.6.9-22.0.1.EL, U2+ AS/ES v2.6.9-22.0.2.EL, U3 AS/ES v2.6.9-34.EL, U3+ AS/ES v2.6.9-34.0.1.EL, U3+ AS/ES v2.6.9-34.0.2.EL, U4 AS/ES v2.6.9-42.EL, U4+ AS/ES v2.6.9-42.0.2.EL	Dell 2342M	Dell Brocade: 1/2Gb FC Switch Module (SW3014), 4Gb FC Switch Module (SW4016); Dell McDATA FC Switch Module: (SW4314), (SW4416); Dell Optical Pass-thru Module (J6780)	15	15	256	256	Y	Intel SSR212PPf
2	Red Hat RHEL [32-Bit] 3.0: U6 AS/ES v2.4.21-37.EL, U6+ AS/ES v2.4.21-37.0.1.EL, U7 AS/ES v2.4.21-40.EL, U8 AS/ES v2.4.21-47.EL; Red Hat RHEL [32-Bit] 4.0: U2 AS/ES v2.6.9-22.EL, U2+ AS/ES v2.6.9-22.0.1.EL, U2+ AS/ES v2.6.9-22.0.2.EL, U3 AS/ES v2.6.9-34.EL, U3+ AS/ES v2.6.9-34.0.1.EL, U3+ AS/ES v2.6.9-34.0.2.EL, U4 AS/ES v2.6.9-42.EL, U4+ AS/ES v2.6.9-42.0.2.EL	Dell: LPe1105-M, QME2462	Dell Brocade: 1/2Gb FC Switch Module (SW3014), 4Gb FC Switch Module (SW4016); Dell McDATA FC Switch Module: (SW4314), (SW4416); Dell Optical Pass-thru Module (J6780)	15	15	256	256	Y	Intel SSR212PPf
3	Red Hat RHEL [32-Bit] 3.0: U6 AS/ES v2.4.21-37.EL, U6+ AS/ES v2.4.21-37.0.1.EL, U7 AS/ES v2.4.21-40.EL, U8 AS/ES v2.4.21-47.EL; Red Hat RHEL [32-Bit] 4.0: U2 AS/ES v2.6.9-22.EL, U2+ AS/ES v2.6.9-22.0.1.EL, U2+ AS/ES v2.6.9-22.0.2.EL, U3 AS/ES v2.6.9-34.EL, U3+ AS/ES v2.6.9-34.0.1.EL, U3+ AS/ES v2.6.9-34.0.2.EL, U4 AS/ES v2.6.9-42.EL, U4+ AS/ES v2.6.9-42.0.2.EL	Emulex LP982-E; QLogic QLA2340-E-SP	QLogic SANBox SB1404-10AJ-E	15	15	256	128	Y	Intel SSR212PPf
Red Hat RHEL [32-Bit]									
No.	Operating System	Host Bus Adapter	Switch	Fanin	Fanout	Luns/Storage Port	Luns/HBA	Port Sharing	Storage Array

4	Red Hat RHEL [32-Bit] 3.0: U6 AS/ES v2.4.21-37.EL, U6+ AS/ES v2.4.21-40.EL, U8 AS/ES v2.4.21-47.EL; Red Hat RHEL [32-Bit] 4.0: U2 AS/ES v2.6.9-22.EL, U2+ AS/ES v2.6.9-22.0.1.EL, U2+ AS/ES v2.6.9-22.0.2.EL, U3 AS/ES v2.6.9-34.EL, U3+ AS/ES v2.6.9-34.0.1.EL, U3+ AS/ES v2.6.9-34.0.2.EL, U4 AS/ES v2.6.9-42.EL, U4+ AS/ES v2.6.9-42.0.2.EL	Emulex: LP101-E, LP982-E; QLogic QLA2340-E-SP	Brocade SilkWorm: 205E, 207E; EMC Connectrix: 3250-VL2E2, DS-220B-FF-D1, DS-8B2-ODL; McDATA ES-43003; QLogic SANBox SB3050-08A-E	15	15	256	128	Y	Intel SSR212PPf
5	Red Hat RHEL [32-Bit] 3.0: U6 AS/ES v2.4.21-37.EL, U6+ AS/ES v2.4.21-37.0.1.EL, U7 AS/ES v2.4.21-40.EL, U8 AS/ES v2.4.21-47.EL; Red Hat RHEL [32-Bit] 4.0: U2 AS/ES v2.6.9-22.EL, U2+ AS/ES v2.6.9-22.0.1.EL, U2+ AS/ES v2.6.9-22.0.2.EL, U3 AS/ES v2.6.9-34.EL, U3+ AS/ES v2.6.9-34.0.1.EL, U3+ AS/ES v2.6.9-34.0.2.EL, U4 AS/ES v2.6.9-42.EL, U4+ AS/ES v2.6.9-42.0.2.EL	Emulex: LP1050-E, LP1050Ex-E, LP982-E; QLogic QLA2340-E-SP	EMC Connectrix: DS-4400M, DS-4700M; McDATA: ES-4400, ES-4700	15	15	256	223, 256	Y	Intel SSR212PPf
6	Red Hat RHEL [32-Bit] 3.0: U6 AS/ES v2.4.21-37.EL, U6+ AS/ES v2.4.21-37.0.1.EL, U7 AS/ES v2.4.21-40.EL, U8 AS/ES v2.4.21-47.EL; Red Hat RHEL [32-Bit] 4.0: U2 AS/ES v2.6.9-22.EL, U2+ AS/ES v2.6.9-22.0.1.EL, U2+ AS/ES v2.6.9-22.0.2.EL, U3 AS/ES v2.6.9-34.EL, U3+ AS/ES v2.6.9-34.0.1.EL, U3+ AS/ES v2.6.9-34.0.2.EL, U4 AS/ES v2.6.9-42.EL, U4+ AS/ES v2.6.9-42.0.2.EL	Emulex: LP1050-E, LP1150-E, LP982-E, LPe111-E, LPe1150-E; HPQ A8002A/FC2142SR (LPe1150); IBM 24P0960 (QLA2340); QLogic: QLA2340-E-SP, QLE2460-E-SP	EMC Connectrix: DS-4400M, DS-4700M; McDATA: ES-4400, ES-4700	15	15	256	256	Y	Intel SSR212PPf
7	Red Hat RHEL [32-Bit] 3.0: U6 AS/ES v2.4.21-37.EL, U6+ AS/ES v2.4.21-37.0.1.EL, U7 AS/ES v2.4.21-40.EL, U8 AS/ES v2.4.21-47.EL; Red Hat RHEL [32-Bit] 4.0: U2 AS/ES v2.6.9-22.EL, U2+ AS/ES v2.6.9-22.0.1.EL, U2+ AS/ES v2.6.9-22.0.2.EL, U3 AS/ES v2.6.9-34.EL, U3+ AS/ES v2.6.9-34.0.1.EL, U3+ AS/ES v2.6.9-34.0.2.EL, U4 AS/ES v2.6.9-42.EL, U4+ AS/ES v2.6.9-42.0.2.EL	IBM 24P0960 (QLA2340); QLogic QLE2460-E-SP	Brocade SilkWorm: 205E, 207E; EMC Connectrix: DS-220B-FF-D1; McDATA ES-43003	15	15	256	256	Y	Intel SSR212PPf
8	Red Hat RHEL [32-Bit] 3.0: U6 AS/ES v2.4.21-37.EL, U6+ AS/ES v2.4.21-37.0.1.EL, U7 AS/ES v2.4.21-40.EL, U8 AS/ES v2.4.21-47.EL; Red Hat RHEL [32-Bit] 4.0: U2 AS/ES v2.6.9-22.EL, U2+ AS/ES v2.6.9-22.0.1.EL, U2+ AS/ES v2.6.9-22.0.2.EL, U3 AS/ES v2.6.9-34.EL, U3+ AS/ES v2.6.9-34.0.1.EL, U3+ AS/ES v2.6.9-34.0.2.EL, U4 AS/ES v2.6.9-42.EL, U4+ AS/ES v2.6.9-42.0.2.EL	NEC N8190-120 (LP1050); QLogic QLE2360-E-SP	Brocade SilkWorm: 205E, 207E; EMC Connectrix: DS-220B-FF-D1, DS-4400M, DS-4700M; McDATA: ES-43003, ES-4400, ES-4700	15	15	256	128, 256	Y	Intel SSR212PPf
9	Red Hat RHEL [32-Bit] 3.0: U6 AS/ES v2.4.21-37.EL, U6+ AS/ES v2.4.21-37.0.1.EL, U7 AS/ES v2.4.21-40.EL, U8 AS/ES v2.4.21-47.EL; Red Hat RHEL [32-Bit] 4.0: U2 AS/ES v2.6.9-22.EL, U2+ AS/ES v2.6.9-22.0.1.EL, U2+ AS/ES v2.6.9-22.0.2.EL, U3 AS/ES v2.6.9-34.EL, U3+ AS/ES v2.6.9-34.0.1.EL, U3+ AS/ES v2.6.9-34.0.2.EL, U4 AS/ES v2.6.9-42.EL, U4+ AS/ES v2.6.9-42.0.2.EL	QLogic QLE2360-E-SP	EMC Connectrix: 3250-VL2E2, DS-8B2-ODL; QLogic SANBox: SB1404-10AJ-E, SB3050-08A-E	15	15	256	128, 256	Y	Intel SSR212PPf
10	Red Hat RHEL [32-Bit] 3.0: U6 AS/ES v2.4.21-37.EL, U6+ AS/ES v2.4.21-37.0.1.EL, U7 AS/ES v2.4.21-40.EL, U8 AS/ES v2.4.21-47.EL;	QLogic QLE2460-E-SP	EMC Connectrix: 3250-VL2E2, DS-8B2-ODL;	15	15	256	256	Y	Intel SSR212PPf

Red Hat RHEL [32-Bit] 4.0: U2 AS/ES v2.6.9-22.EL, U2+ AS/ES v2.6.9-22.0.1.EL, U2+ AS/ES v2.6.9-22.0.2.EL, U3 AS/ES v2.6.9-34.EL, U3+ AS/ES v2.6.9-34.0.1.EL, U3+ AS/ES v2.6.9-34.0.2.EL, U4 AS/ES v2.6.9-42.EL, U4+ AS/ES v2.6.9-42.0.2.EL	QLogic SANBox: SB1404-10AJ-E, SB3050-08A-E						
--	--	--	--	--	--	--	--

1. Dell offers the following versions of the DS-220B-FF-D switch: DS-210B-DE and DS-210B-DEU. Please reference the Dell website for further information.
2. This switch is offered by Dell as the Brocade VL2 LC.
3. The minimum firmware revision for the ES-4300 is 5.05.00 (This firmware revision is only to be used on ES-4300)

Fibre Switches: Red Hat Linux RHEL (EM64T)

Red Hat RHEL [EM64T]									
No.	Operating System	Host Bus Adapter	Switch	Fanin	Fanout	Luns/Storage Port	Luns/HBA	Port Sharing	Storage Array
1	Red Hat RHEL [EM64T] 3.0: U2 AS/ES v2.4.21-15.EL, U2+ AS/ES v2.4.21-15.0.2.EL, U2+ AS/ES v2.4.21-15.0.3.EL, U2+ AS/ES v2.4.21-15.0.4.EL, U3 AS/ES v2.4.21-20.EL, U4 AS/ES v2.4.21-27.EL, U4+ AS/ES v2.4.21-27.0.1.EL, U4+ AS/ES v2.4.21-27.0.2.EL, U4+ AS/ES v2.4.21-27.0.4.EL, U5 AS/ES v2.4.21-32.EL, U5+ AS/ES v2.4.21-32.0.1.EL, U6 AS/ES v2.4.21-37.EL, U6+ AS/ES v2.4.21-37.0.1.EL, U7 AS/ES v2.4.21-40.EL, U8 AS/ES v2.4.21-47.EL; Red Hat RHEL [EM64T] 4.0 AS/ES: v2.6.9-5.0.5.EL, v2.6.9-5.EL; Red Hat RHEL [EM64T] 4.0: U1 AS/ES v2.6.9-11.EL, U2 AS/ES v2.6.9-22.EL, U2+ AS/ES v2.6.9-22.0.1.EL, U2+ AS/ES v2.6.9-22.0.2.EL, U3 AS/ES v2.6.9-34.EL, U3+ AS/ES v2.6.9-34.0.1.EL, U3+ AS/ES v2.6.9-34.0.2.EL, U4 AS/ES v2.6.9-42.EL, U4+ AS/ES v2.6.9-42.0.2.EL	Dell 2342M	Dell Brocade: 1/2Gb FC Switch Module (SW3014), 4Gb FC Switch Module (SW4016); Dell McDATA FC Switch Module: (SW4314), (SW4416); Dell Optical Pass-thru Module (J6780)	15	15	256	256	Y	Intel SSR212PP f
2	Red Hat RHEL [EM64T] 3.0: U6 AS/ES v2.4.21-37.EL, U6+ AS/ES v2.4.21-37.0.1.EL, U7 AS/ES v2.4.21-40.EL, U8 AS/ES v2.4.21-47.EL; Red Hat RHEL [EM64T] 4.0: U2 AS/ES v2.6.9-22.EL, U2+ AS/ES v2.6.9-22.0.1.EL, U2+ AS/ES v2.6.9-22.0.2.EL, U3 AS/ES v2.6.9-34.EL, U3+ AS/ES v2.6.9-34.0.1.EL, U3+ AS/ES v2.6.9-34.0.2.EL, U4 AS/ES v2.6.9-42.EL, U4+ AS/ES v2.6.9-42.0.2.EL	Dell: LPe1105-M, QME2462	Dell Brocade: 1/2Gb FC Switch Module (SW3014), 4Gb FC Switch Module (SW4016); Dell McDATA FC Switch Module: (SW4314), (SW4416); Dell Optical Pass-thru Module (J6780)	15	15	256	256	Y	Intel SSR212PP f
3	Red Hat RHEL [EM64T] 3.0: U6 AS/ES v2.4.21-37.EL, U6+ AS/ES v2.4.21-37.0.1.EL, U7 AS/ES v2.4.21-40.EL, U8 AS/ES v2.4.21-47.EL; Red Hat RHEL [EM64T] 4.0: U2 AS/ES v2.6.9-22.EL, U2+ AS/ES v2.6.9-22.0.1.EL, U2+ AS/ES v2.6.9-22.0.2.EL, U3 AS/ES v2.6.9-34.EL, U3+ AS/ES v2.6.9-34.0.1.EL, U3+ AS/ES v2.6.9-34.0.2.EL, U4 AS/ES v2.6.9-42.EL, U4+ AS/ES v2.6.9-42.0.2.EL	Emulex LP982-E; QLogic QLA2340-E-SP	QLogic SANBox SB1404-10AJ-E	15	15	256	128	Y	Intel SSR212PP f

4	Red Hat RHEL [EM64T] 3.0: U6 AS/ES v2.4.21-37.EL, U6+ AS/ES v2.4.21-37.0.1.EL, U7 AS/ES v2.4.21-40.EL, U8 AS/ES v2.4.21-47.EL; Red Hat RHEL [EM64T] 4.0: U2 AS/ES v2.6.9-22.EL, U2+ AS/ES v2.6.9-22.0.1.EL, U2+ AS/ES v2.6.9-22.0.2.EL, U3 AS/ES v2.6.9-34.EL, U3+ AS/ES v2.6.9-34.0.1.EL, U3+ AS/ES v2.6.9-34.0.2.EL, U4 AS/ES v2.6.9-42.EL, U4+ AS/ES v2.6.9-42.0.2.EL	Emulex: LP101-E, LP982-E; QLogic QLA2340-E-SP	Brocade Silkworm: 205E, 207E; EMC Connectrix: 3250-VL2E2, DS-220B-FF-D3, DS-8B2-0DL; McDATA ES-43001; QLogic SANBox SB3050-08A-E	15	15	256	128	Y	Intel SSR212PP f
5	Red Hat RHEL [EM64T] 3.0: U6 AS/ES v2.4.21-37.EL, U6+ AS/ES v2.4.21-37.0.1.EL, U7 AS/ES v2.4.21-40.EL, U8 AS/ES v2.4.21-47.EL; Red Hat RHEL [EM64T] 4.0: U2 AS/ES v2.6.9-22.0.1.EL, U2+ AS/ES v2.6.9-22.0.2.EL, U3 AS/ES v2.6.9-34.EL, U3+ AS/ES v2.6.9-34.0.1.EL, U3+ AS/ES v2.6.9-34.0.2.EL, U4 AS/ES v2.6.9-42.EL, U4+ AS/ES v2.6.9-42.0.2.EL	Emulex: LP1050-E, LP1050Ex-E, LP982-E; QLogic QLA2340-E-SP	EMC Connectrix: DS-4400M, DS-4700M; McDATA: ES-4400, ES-4700	15	15	256	223, 256	Y	Intel SSR212PP f
6	Red Hat RHEL [EM64T] 3.0: U6 AS/ES v2.4.21-37.EL, U6+ AS/ES v2.4.21-37.0.1.EL, U7 AS/ES v2.4.21-40.EL, U8 AS/ES v2.4.21-47.EL; Red Hat RHEL [EM64T] 4.0: U2 AS/ES v2.6.9-22.EL, U2+ AS/ES v2.6.9-22.0.1.EL, U2+ AS/ES v2.6.9-22.0.2.EL, U3 AS/ES v2.6.9-34.EL, U3+ AS/ES v2.6.9-34.0.1.EL, U3+ AS/ES v2.6.9-34.0.2.EL, U4 AS/ES v2.6.9-42.EL, U4+ AS/ES v2.6.9-42.0.2.EL	Emulex: LP1050-E, LP1150-E, LP982-E, LPe111-E, LPe1150-E; HPQ A8002A/FC2142SR (LPe1150); IBM 24P0960 (QLA2340); QLogic: QLA2340-E-SP, QLE2460-E-SP	EMC Connectrix: DS-4400M, DS-4700M; McDATA: ES-4400, ES-4700	15	15	256	256	Y	Intel SSR212PP f
7	Red Hat RHEL [EM64T] 3.0: U6 AS/ES v2.4.21-37.EL, U6+ AS/ES v2.4.21-37.0.1.EL, U7 AS/ES v2.4.21-40.EL, U8 AS/ES v2.4.21-47.EL; Red Hat RHEL [EM64T] 4.0: U2 AS/ES v2.6.9-22.EL, U2+ AS/ES v2.6.9-22.0.1.EL, U2+ AS/ES v2.6.9-22.0.2.EL, U3 AS/ES v2.6.9-34.EL, U3+ AS/ES v2.6.9-34.0.1.EL, U3+ AS/ES v2.6.9-34.0.2.EL, U4 AS/ES v2.6.9-42.EL, U4+ AS/ES v2.6.9-42.0.2.EL	IBM 24P0960 (QLA2340); QLogic QLE2460-E-SP	Brocade Silkworm: 205E, 207E; EMC Connectrix: DS-220B-FF-D3; McDATA ES-43001	15	15	256	256	Y	Intel SSR212PP f
8	Red Hat RHEL [EM64T] 3.0: U6 AS/ES v2.4.21-37.EL, U6+ AS/ES v2.4.21-37.0.1.EL, U7 AS/ES v2.4.21-40.EL, U8 AS/ES v2.4.21-47.EL; Red Hat RHEL [EM64T] 4.0: U2 AS/ES v2.6.9-22.EL, U2+ AS/ES v2.6.9-22.0.1.EL, U2+ AS/ES v2.6.9-22.0.2.EL, U3 AS/ES v2.6.9-34.EL, U3+ AS/ES v2.6.9-34.0.1.EL, U3+ AS/ES v2.6.9-34.0.2.EL, U4 AS/ES v2.6.9-42.EL, U4+ AS/ES v2.6.9-42.0.2.EL	NEC N8190-120 (LP1050); QLogic QLE2360-E-SP	Brocade Silkworm: 205E, 207E; EMC Connectrix: DS-220B-FF-D3, DS-4400M, DS-4700M; McDATA: ES-43001, ES-4400, ES-4700	15	15	256	128, 256	Y	Intel SSR212PP f
Red Hat RHEL [EM64T]									
No.	Operating System	Host Bus Adapter	Switch	Fanin	Fanout	Luns/Storag e Port	Luns/HBA	Port Sharing	Storage Array
9	Red Hat RHEL [EM64T] 3.0: U6 AS/ES v2.4.21-37.EL, U6+ AS/ES v2.4.21-37.0.1.EL, U7 AS/ES v2.4.21-40.EL, U8 AS/ES v2.4.21-47.EL; Red Hat RHEL [EM64T] 4.0: U2 AS/ES v2.6.9-22.EL, U2+ AS/ES v2.6.9-22.0.1.EL, U2+ AS/ES v2.6.9-22.0.2.EL, U3 AS/ES v2.6.9-34.EL, U3+ AS/ES v2.6.9-34.0.1.EL, U3+ AS/ES v2.6.9-34.0.2.EL, U4 AS/ES v2.6.9-42.EL, U4+ AS/ES v2.6.9-42.0.2.EL	QLogic QLE2360-E-SP	EMC Connectrix: 3250-VL2E2, DS-8B2-0DL; QLogic SANBox: SB1404-10AJ-E, SB3050-08A-E	15	15	256	128, 256	Y	Intel SSR212PP f
10	Red Hat RHEL [EM64T] 3.0: U6 AS/ES v2.4.21-37.EL, U6+ AS/ES v2.4.21-37.0.1.EL, U7	QLogic QLE2460-E-SP	EMC Connectrix: 3250-VL2E2,	15	15	256	256	Y	Intel SSR212PP f

AS/ES v2.4.21-40.EL, U8 AS/ES v2.4.21-47.EL; Red Hat RHEL [EM64T] 4.0: U2 AS/ES v2.6.9-22.EL, U2+ AS/ES v2.6.9-22.0.1.EL, U2+ AS/ES v2.6.9-22.0.2.EL, U3 AS/ES v2.6.9-34.EL, U3+ AS/ES v2.6.9-34.0.1.EL, U3+ AS/ES v2.6.9-34.0.2.EL, U4 AS/ES v2.6.9-42.EL, U4+ AS/ES v2.6.9-42.0.2.EL		DS-8B2-0DL; QLogic SANBox: SB1404-10AJ-E SB3050-08A-E						
---	--	--	--	--	--	--	--	--

1. The minimum firmware revision for the ES-4300 is 5.05.00 (This firmware revision is only to be used on ES-4300)
2. This switch is offered by Dell as the Brocade VL2 LC.
3. Dell offers the following versions of the DS-220B-FF-D switch: DS-210B-DE and DS-210B-DEU. Please reference the Dell website for further information.

Fibre Switches: SuSE Linux SLES* (32-Bit)

SuSE SLES [32-Bit]									
No.	Operating System	Host Bus Adapter	Switch	Fanin	Fanout	Luns/Storage Port	Luns/HBA	Port Sharing	Storage Array
1	SuSE SLES [32-Bit]: 10, 9 SP1 v2.6.5-7.139, 9 SP1+ v2.6.5-7.145, 9 SP1+ v2.6.5-7.147, 9 SP1+ v2.6.5-7.151, 9 SP2+ v2.6.5-7.201, 9 SP2+ v2.6.5-7.202.7, 9 SP3 v2.6.5-7.244, 9 SP3+ v2.6.5-7.252, 9 SP3+ v2.6.5-7.257, 9 SP3+ v2.6.5-7.267, 9 SP3+ v2.6.5-7.276, 9 SP3+ v2.6.5-7.282	Dell 2342M	Dell Brocade: 1/2Gb FC Switch Module (SW3014), 4Gb FC Switch Module (SW4016); Dell McDATA FC Switch Module: (SW4314), (SW4416)	15	15	256	256	Y	Intel SSR212PPf
2	SuSE SLES [32-Bit]: 10, 9 SP1+ v2.6.5-7.151, 9 SP2+ v2.6.5-7.201, 9 SP2+ v2.6.5-7.202.7, 9 SP3 v2.6.5-7.244, 9 SP3+ v2.6.5-7.252, 9 SP3+ v2.6.5-7.257, 9 SP3+ v2.6.5-7.267, 9 SP3+ v2.6.5-7.276, 9 SP3+ v2.6.5-7.282	Dell 2342M	Dell Optical Pass-thru Module (J6780)	15	15	256	256	Y	Intel SSR212PPf
3	SuSE SLES [32-Bit]: 10, 9 SP2+ v2.6.5-7.201, 9 SP2+ v2.6.5-7.202.7, 9 SP3 v2.6.5-7.244, 9 SP3+ v2.6.5-7.252, 9 SP3+ v2.6.5-7.257, 9 SP3+ v2.6.5-7.267, 9 SP3+ v2.6.5-7.276, 9 SP3+ v2.6.5-7.282	Dell: LPe1105-M, QME2462	Dell Brocade: 1/2Gb FC Switch Module (SW3014), 4Gb FC Switch Module (SW4016); Dell McDATA FC Switch Module: (SW4314), (SW4416); Dell Optical Pass-thru Module (J6780)	15	15	256	256	Y	Intel SSR212PPf
4	SuSE SLES [32-Bit]: 10, 9 SP2+ v2.6.5-7.201, 9 SP2+ v2.6.5-7.202.7, 9 SP3 v2.6.5-7.244, 9 SP3+ v2.6.5-7.252, 9 SP3+ v2.6.5-7.257, 9 SP3+ v2.6.5-7.267, 9 SP3+ v2.6.5-7.276, 9 SP3+ v2.6.5-7.282	Emulex LP982-E; QLogic QLA2340-E-SP	QLogic SANBox SB1404-10AJ-E	15	15	256	128	Y	Intel SSR212PPf
5	SuSE SLES [32-Bit]: 10, 9 SP2+ v2.6.5-7.201, 9 SP2+ v2.6.5-7.202.7, 9 SP3 v2.6.5-7.244, 9 SP3+ v2.6.5-7.252, 9 SP3+ v2.6.5-7.257, 9 SP3+ v2.6.5-7.267, 9 SP3+ v2.6.5-7.276, 9 SP3+ v2.6.5-7.282	Emulex: LP101-E, LP982-E; QLogic QLA2340-E-SP	Brocade SilkWorm: 205E, 207E; EMC Connectrix: 3250-VL2E2, DS-220B-FF-D3, DS-8B2-0DL;	15	15	256	128	Y	Intel SSR212PPf

			McDATA ES-43001; QLogic SANBox SB3050-08A-E						
6	SuSE SLES [32-Bit]: 10, 9 SP2+ v2.6.5-7.201, 9 SP2+ v2.6.5-7.202.7, 9 SP3 v2.6.5-7.244, 9 SP3+ v2.6.5-7.252, 9 SP3+ v2.6.5-7.257, 9 SP3+ v2.6.5-7.267, 9 SP3+ v2.6.5-7.276, 9 SP3+ v2.6.5-7.282	Emulex: LP1050-E, LP1050Ex-E, LP982-E; QLogic QLA2340-E-SP	EMC Connectrix: DS-4400M, DS-4700M; McDATA: ES-4400, ES-4700	15	15	256	223, 256	Y	Intel SSR212PPf
7	SuSE SLES [32-Bit]: 10, 9 SP2+ v2.6.5-7.201, 9 SP2+ v2.6.5-7.202.7, 9 SP3 v2.6.5-7.244, 9 SP3+ v2.6.5-7.252, 9 SP3+ v2.6.5-7.257, 9 SP3+ v2.6.5-7.267, 9 SP3+ v2.6.5-7.276, 9 SP3+ v2.6.5-7.282	Emulex: LP1050-E, LP1150-E, LP982-E, LPe111-E, LPe1150-E; HPQ A8002A/FC2142SR (LPe1150); IBM 24P0960 (QLA2340); QLogic: QLA2340-E-SP, QLE2460-E-SP	EMC Connectrix: DS-4400M, DS-4700M; McDATA: ES-4400, ES-4700	15	15	256	256	Y	Intel SSR212PPf
SuSE SLES [32-Bit]									
No.	Operating System	Host Bus Adapter	Switch	Fanin	Fanout	Luns/Storage Port	Luns/HBA	Port Sharing	Storage Array
8	SuSE SLES [32-Bit]: 10, 9 SP2+ v2.6.5-7.201, 9 SP2+ v2.6.5-7.202.7, 9 SP3 v2.6.5-7.244, 9 SP3+ v2.6.5-7.252, 9 SP3+ v2.6.5-7.257, 9 SP3+ v2.6.5-7.267, 9 SP3+ v2.6.5-7.276, 9 SP3+ v2.6.5-7.282	IBM 24P0960 (QLA2340); QLogic QLE2460-E-SP	Brocade Silkstorm: 205E, 207E; EMC Connectrix DS-220B-FF-D3; McDATA ES-43001	15	15	256	256	Y	Intel SSR212PPf
9	SuSE SLES [32-Bit]: 10, 9 SP2+ v2.6.5-7.201, 9 SP2+ v2.6.5-7.202.7, 9 SP3 v2.6.5-7.244, 9 SP3+ v2.6.5-7.252, 9 SP3+ v2.6.5-7.257, 9 SP3+ v2.6.5-7.267, 9 SP3+ v2.6.5-7.276, 9 SP3+ v2.6.5-7.282	NEC N8190-120 (LP1050); QLogic QLE2360-E-SP	Brocade Silkstorm: 205E, 207E; EMC Connectrix: DS-220B-FF-D3, DS-4400M, DS-4700M; McDATA: ES-43001, ES-4400, ES-4700	15	15	256	128, 256	Y	Intel SSR212PPf
10	SuSE SLES [32-Bit]: 10, 9 SP2+ v2.6.5-7.201, 9 SP2+ v2.6.5-7.202.7, 9 SP3 v2.6.5-7.244, 9 SP3+ v2.6.5-7.252, 9 SP3+ v2.6.5-7.257, 9 SP3+ v2.6.5-7.267, 9 SP3+ v2.6.5-7.276, 9 SP3+ v2.6.5-7.282	QLogic QLE2360-E-SP	EMC Connectrix: 3250-VL2E2, DS-8B2-ODL; QLogic SANBox: SB1404-10AJ-E, SB3050-08A-E	15	15	256	128, 256	Y	Intel SSR212PPf
11	SuSE SLES [32-Bit]: 10, 9 SP2+ v2.6.5-7.201, 9 SP2+ v2.6.5-7.202.7, 9 SP3 v2.6.5-7.244, 9 SP3+ v2.6.5-7.252, 9 SP3+ v2.6.5-7.257, 9 SP3+ v2.6.5-7.267, 9 SP3+ v2.6.5-7.276, 9 SP3+ v2.6.5-7.282	QLogic QLE2460-E-SP	EMC Connectrix: 3250-VL2E2, DS-8B2-ODL; QLogic SANBox: SB1404-10AJ-E, SB3050-08A-E	15	15	256	256	Y	Intel SSR212PPf

1. The minimum firmware revision for the ES-4300 is 5.05.00 (This firmware revision is only to be used on ES-4300)
2. This switch is offered by Dell as the Brocade VL2 LC.
3. Dell offers the following versions of the DS-220B-FF-D switch: DS-210B-DE and DS-210B-DEU. Please reference the Dell website for further information.

Fibre Switches: SuSE Linux SLES* (EM64T)

SuSE SLES [EM64T]									
No.	Operating System	Host Bus Adapter	Switch	Fanin	Fanout	Luns/Storage Port	Luns/HBA	Port Sharing	Storage Array

1	SuSE SLES [EM64T] 9 SP2+; v2.6.5-7.201, v2.6.5-7.202.7; SuSE SLES [EM64T] 9: SP3 v2.6.5-7.244, SP3+ v2.6.5-7.252, SP3+ v2.6.5-7.257, SP3+ v2.6.5-7.267, SP3+ v2.6.5-7.276, SP3+ v2.6.5-7.282	Dell: LPe1105-M, QME2462	Dell Brocade: 1/2Gb FC Switch Module (SW3014), 4Gb FC Switch Module (SW4016); Dell McDATA FC Switch Module: (SW4314), (SW4416); Dell Optical Pass-thru Module (J6780)	15	15	256	256	Y	Intel SSR212PP f
2	SuSE SLES [EM64T] 9 SP2+; v2.6.5-7.201, v2.6.5-7.202.7; SuSE SLES [EM64T] 9: SP3 v2.6.5-7.244, SP3+ v2.6.5-7.252, SP3+ v2.6.5-7.257, SP3+ v2.6.5-7.267, SP3+ v2.6.5-7.276, SP3+ v2.6.5-7.282	Emulex LP982-E; QLogic QLA2340-E-SP	QLogic SANBox SB1404-10AJ-E	15	15	256	128	Y	Intel SSR212PP f
3	SuSE SLES [EM64T] 9 SP2+; v2.6.5-7.201, v2.6.5-7.202.7; SuSE SLES [EM64T] 9: SP3 v2.6.5-7.244, SP3+ v2.6.5-7.252, SP3+ v2.6.5-7.257, SP3+ v2.6.5-7.267, SP3+ v2.6.5-7.276, SP3+ v2.6.5-7.282	Emulex: LP101-E, LP982-E; QLogic QLA2340-E-SP	Brocade Silkworm: 205E, 207E; EMC Connectrix: 3250-VL2E1, DS-220B-FF-D3, DS-8B2-0DL; McDATA ES-43002; QLogic SANBox SB3050-08A-E	15	15	256	128	Y	Intel SSR212PP f
4	SuSE SLES [EM64T] 9 SP2+; v2.6.5-7.201, v2.6.5-7.202.7; SuSE SLES [EM64T] 9: SP3 v2.6.5-7.244, SP3+ v2.6.5-7.252, SP3+ v2.6.5-7.257, SP3+ v2.6.5-7.267, SP3+ v2.6.5-7.276, SP3+ v2.6.5-7.282	Emulex: LP1050-E, LP1050Ex-E, LP982-E; QLogic QLA2340-E-SP	EMC Connectrix: DS-4400M, DS-4700M; McDATA: ES-4400, ES-4700	15	15	256	223, 256	Y	Intel SSR212PP f
5	SuSE SLES [EM64T] 9 SP2+; v2.6.5-7.201, v2.6.5-7.202.7; SuSE SLES [EM64T] 9: SP3 v2.6.5-7.244, SP3+ v2.6.5-7.252, SP3+ v2.6.5-7.257, SP3+ v2.6.5-7.267, SP3+ v2.6.5-7.276, SP3+ v2.6.5-7.282	Emulex: LP1050-E, LP1150-E, LP982-E, LPe111-E, LPe1150-E; HPQ A8002A/FC2142S R (LPe1150); IBM 24P0960 (QLA2340); QLogic: QLA2340-E-SP, QLE2460-E-SP	EMC Connectrix: DS-4400M, DS-4700M; McDATA: ES-4400, ES-4700	15	15	256	256	Y	Intel SSR212PP f
6	SuSE SLES [EM64T] 9 SP2+; v2.6.5-7.201, v2.6.5-7.202.7; SuSE SLES [EM64T] 9: SP3 v2.6.5-7.244, SP3+ v2.6.5-7.252, SP3+ v2.6.5-7.257, SP3+ v2.6.5-7.267, SP3+ v2.6.5-7.276, SP3+ v2.6.5-7.282	IBM 24P0960 (QLA2340); QLogic QLE2460-E-SP	Brocade Silkworm: 205E, 207E; EMC Connectrix DS-220B-FF-D3; McDATA ES-43002	15	15	256	256	Y	Intel SSR212PP f
7	SuSE SLES [EM64T] 9 SP2+; v2.6.5-7.201, v2.6.5-7.202.7; SuSE SLES [EM64T] 9: SP3 v2.6.5-7.244, SP3+ v2.6.5-7.252, SP3+ v2.6.5-7.257, SP3+ v2.6.5-7.267, SP3+ v2.6.5-7.276, SP3+ v2.6.5-7.282	NEC N8190-120 (LP1050); QLogic QLE2360-E-SP	Brocade Silkworm: 205E, 207E; EMC Connectrix: DS-220B-FF-D3, DS-4400M, DS-4700M; McDATA: ES-43002, ES-4400, ES-4700	15	15	256	128, 256	Y	Intel SSR212PP f
SuSE SLES [EM64T]									
No.	Operating System	Host Bus Adapter	Switch	Fanin	Fanout	Luns/Storag e Port	Luns/HBA	Port Sharing	Storage Array
8	SuSE SLES [EM64T] 9 SP2+; v2.6.5-7.201, v2.6.5-7.202.7; SuSE SLES [EM64T] 9: SP3 v2.6.5-7.244, SP3+ v2.6.5-7.252, SP3+ v2.6.5-7.257, SP3+ v2.6.5-7.267, SP3+ v2.6.5-7.276, SP3+ v2.6.5-7.282	QLogic QLE2360-E-SP	EMC Connectrix: 3250-VL2E1, DS-8B2-0DL; QLogic SANBox: SB1404-10AJ-E, SB3050-08A-E	15	15	256	128, 256	Y	Intel SSR212PP f

9	SuSE SLES [EM64T] 9 SP2+; v2.6.5-7.201, v2.6.5-7.202.7; SuSE SLES [EM64T] 9: SP3 v2.6.5-7.244, SP3+ v2.6.5-7.252, SP3+ v2.6.5-7.257, SP3+ v2.6.5-7.267, SP3+ v2.6.5-7.276, SP3+ v2.6.5-7.282	QLogic QLE2460-E-SP	EMC Connectrix: 3250-VL2E1 , DS-8B2-ODL; QLogic SANBox: SB1404-10AJ-E, SB3050-08A-E	15	15	256	256	Y	Intel SSR212PP f
10	SuSE SLES [EM64T] 9: SP1+ v2.6.5-7.151, SP2+ v2.6.5-7.201, SP2+ v2.6.5-7.202.7, SP3 v2.6.5-7.244, SP3+ v2.6.5-7.252, SP3+ v2.6.5-7.257, SP3+ v2.6.5-7.267, SP3+ v2.6.5-7.276, SP3+ v2.6.5-7.282	Dell 2342M	Dell Brocade: 1/2Gb FC Switch Module (SW3014), 4Gb FC Switch Module (SW4016); Dell McDATA FC Switch Module: (SW4314), (SW4416); Dell Optical Pass-thru Module (J6780)	15	15	256	256	Y	Intel SSR212PP f

1. This switch is offered by Dell as the Brocade VL2 LC.
2. The minimum firmware revision for the ES-4300 is 5.05.00 (This firmware revision is only to be used on ES-4300)
3. Dell offers the following versions of the DS-220B-FF-D switch: DS-210B-DE and DS-210B-DEU. Please reference the Dell website for further information.

Fibre Switches: VMware ESX* Server

VMware ESX Server										
No.	Operating System	Host Bus Adapter	Switch	Fanin	Fanout	Luns/Storage Port	Luns/HBA	Port Sharing	Storage Array	Comments
1	VMware ESX Server: v2.5.3, v2.5.4	Emulex: LP1050-E, LP1050Ex-E, LP982-E; IBM 24P0960 (QLA2340); NEC N8190-120 (LP1050); QLogic QLA2340-E-SP	Brocade SilkWorm: 205E, 207E; EMC Connectrix: 3250-VL2E3, DS-220B-FF-D4 , DS-4400M, DS-4700M, DS-8B2-ODL; McDATA: ES-43002, ES-4400, ES-4700; QLogic SANBox: SB1404-10AJ-E, SB3050-08A-E	15	15	256	128	Y	Intel SSR212PP f	See1
2	VMware ESX Server: v2.5.3, v2.5.4	HPQ Dual-port Fibre Channel Adapter for HP Proliant BL20p: (G2) 300874-B21, (G3) 361426-B21; HPQ Dual-port Fibre Channel Adapter for HP Proliant: BL25p/BL45p 381881-B21, BL30p/BL35p 354054-B21	HPQ Proliant BL p-Class patch panel [FC Pass-through] (306465-B21)	15	15	256	256	Y	Intel SSR212PP f	See1
3	VMware ESX Server: v2.5.3, v2.5.4	IBM HS20 FC Exp Card: (13N2203), (13N2203) for IBM eServer LS20, (26K4841), (48P7061)	IBM Brocade: Enterprise SAN Switch Module For BladeCenter Servers (90P0165), Entry SAN Switch Module For BladeCenter Servers (26K5601); IBM: McData 6-Port Switch Module For BladeCenter Servers (32R1790), Optical Passthrough Module For BladeCenter Servers (02R9080), QLogic 2-Port Switch Module For BladeCenter Servers (48P7062), QLogic 6-Port Switch Module For BladeCenter Servers (26K6477)	15	15	256	256	Y	Intel SSR212PP f	See1
4	VMware ESX Server: v2.5.3, v2.5.4	QLogic QLE2360-E-SP	Brocade SilkWorm: 205E, 207E; EMC Connectrix: 3250-VL2E3, DS-220B-FF-D4 , DS-4400M, DS-4700M, DS-8B2-ODL; McDATA: ES-43002, ES-4400, ES-4700; QLogic SANBox: SB1404-10AJ-E, SB3050-08A-E	15	15	256	128, 256	Y	Intel SSR212PP f	See1
5	VMware ESX Server: v2.5.3, v2.5.4, v3.0, v3.0.1	Dell 2342M	Dell Brocade: 1/2Gb FC Switch Module (SW3014), 4Gb FC Switch Module (SW4016); Dell McDATA FC Switch Module: (SW4314), (SW4416);	15	15	256	256	Y	Intel SSR212PP f	

			Dell Optical Pass-thru Module (J6780)							
6	VMware ESX Server: v3.0, v3.0.1	Dell LPe1105-M	Dell Brocade: 1/2Gb FC Switch Module (SW3014), 4Gb FC Switch Module (SW4016); Dell McDATA FC Switch Module: (SW4314), (SW4416); Dell Optical Pass-thru Module (J6780)	15	15	256	256	Y	Intel SSR212PPf	
VMware ESX Server										
No.	Operating System	Host Bus Adapter	Switch	Fanin	Fanout	Luns/Storage Port	Luns/HBA	Port Sharing	Storage Array	Comments
7	VMware ESX Server: v3.0, v3.0.1	Emulex LP982-E; QLogic QLA2340-E-SP	Brocade Silkworm: 205E, 207E; EMC Connectrix: 3250-VL2E3, DS-220B-FF-D4, DS-8B2-0DL; McDATA ES-43002; QLogic SANBox: SB1404-10AJ-E, SB3050-08A-E	15	15	256	128	Y	Intel SSR212PPf	
8	VMware ESX Server: v3.0, v3.0.1	Emulex: LP1050-E, LP1050Ex-E, LP982-E; QLogic QLA2340-E-SP	EMC Connectrix: DS-4400M, DS-4700M; McDATA: ES-4400, ES-4700	15	15	256	223, 256	Y	Intel SSR212PPf	
9	VMware ESX Server: v3.0, v3.0.1	Emulex: LP1050-E, LP982-E, LPe1150-E; HPQ A8002A/FC2142SR (LPe1150); IBM 24P0960 (QLA2340); QLogic: QLA2340-E-SP, QLE2460-E-SP	EMC Connectrix: DS-4400M, DS-4700M; McDATA: ES-4400, ES-4700	15	15	256	256	Y	Intel SSR212PPf	
10	VMware ESX Server: v3.0, v3.0.1	IBM 24P0960 (QLA2340); QLogic QLE2460-E-SP	Brocade Silkworm: 205E, 207E; EMC Connectrix DS-220B-FF-D4; McDATA ES-43002	15	15	256	256	Y	Intel SSR212PPf	
11	VMware ESX Server: v3.0, v3.0.1	NEC N8190-120 (LP1050); QLogic QLE2360-E-SP	Brocade Silkworm: 205E, 207E; EMC Connectrix: DS-220B-FF-D4, DS-4400M, DS-4700M; McDATA: ES-43002, ES-4400, ES-4700	15	15	256	128, 256	Y	Intel SSR212PPf	
12	VMware ESX Server: v3.0, v3.0.1	QLogic QLE2360-E-SP	EMC Connectrix: 3250-VL2E3, DS-8B2-0DL; QLogic SANBox: SB1404-10AJ-E, SB3050-08A-E	15	15	256	128, 256	Y	Intel SSR212PPf	
13	VMware ESX Server: v3.0, v3.0.1	QLogic QLE2460-E-SP	EMC Connectrix: 3250-VL2E3, DS-8B2-0DL; QLogic SANBox: SB1404-10AJ-E, SB3050-08A-E	15	15	256	256	Y	Intel SSR212PPf	

1. VMWare ESX does not have dependencies on specific FC-switches and has been found to be broadly interoperable with current generation FC-SW2 compliant Fibre Channel switches. The listed FC-switches reflect the configurations qualified for support with EMC storage arrays.
2. The minimum firmware revision for the ES-4300 is 5.05.00 (This firmware revision is only to be used on ES-4300)
3. This switch is offered by Dell as the Brocade VL2 LC.
4. Dell offers the following versions of the DS-220B-FF-D switch: DS-210B-DE and DS-210B-DEU. Please reference the Dell website for further information.

Switched Fabric Topology Parameters

No.	Switch	Switch Firmware Revision	Switch Management Application Revision	Interoperable Switch	Interoperable Switch Firmware	Max # Domains per Fabric	Max # Hops	ISL Domain to Domain	Comments	Topology
1	Brocade Silkworm 205E	v5.0.5, v5.1.0a, v5.1.0d	Fabric Manager v5.0.0a, Fabric Manager v5.1.0, Webtools	Brocade Silkworm 205E	v5.0.5, v5.1.0a, v5.1.0d	1	0	0	See1, 2, 3, 4	FC-SW
2	Brocade Silkworm 207E	v5.0.5, v5.1.0a, v5.1.0d	Fabric Manager v5.0.0a, Fabric Manager v5.1.0, Webtools	Brocade Silkworm 207E	v5.0.5, v5.1.0a, v5.1.0d	2	1	2	See1, 2, 3, 4	FC-SW

3	Brocade Silkworm 3800; EMC Connectrix: DS-16B2, DS-8B2	v3.2.1, v3.2.1b	Fabric Manager v5.0.0a, Webtools	Dell Brocade 1/2Gb FC Switch Module (SW3014), Dell Brocade 4Gb FC Switch Module (SW4016), HPQ Brocade 4/12 SAN Switch for HP c-Class Bladesystem (AE370A)5, HPQ Brocade 4/24 SAN Switch Power Pack for HP c-Class Bladesystem (AE371A), HPQ Brocade 4/24 SAN Switch for HP c-Class Bladesystem (AE372A), HPQ Brocade 4Gb SAN Switch for HP p-Class BladeSystem, Power Pack (A7535A), IBM Brocade 10-port 4Gb SAN Switch Module for BladeCenter Servers (32R1813), IBM Brocade 20-port 4Gb SAN Switch Module for BladeCenter Servers (32R1812), IBM Brocade Enterprise SAN Switch Module For BladeCenter Servers (90P0165), IBM Brocade Entry SAN Switch Module For BladeCenter Servers (26K5601)	v5.0.5	2	1	2	See1, 2, 3, 4	FC-SW
4	Brocade Silkworm 4100	v5.0.4a, v5.1.0a	Fabric Manager v5.0.0a, Webtools	Brocade Silkworm 4100	v5.0.4a, v5.1.0a	2	1	2	See1, 2, 3, 4	FC-SW
5	Brocade Silkworm: 12000, 200E, 24000, 3250, 3850, 3900, 4100, 48000; EMC Connectrix: DS-16B3, DS-220B, DS-32B2, DS-4100B, DS-8B3, ED-12000B, ED-24000B, ED-48000B	v5.0.5	Fabric Manager v5.0.0a, Webtools	Dell Brocade 1/2Gb FC Switch Module (SW3014), Dell Brocade 4Gb FC Switch Module (SW4016), HPQ Brocade 4/12 SAN Switch for HP c-Class Bladesystem (AE370A)5, HPQ Brocade 4/24 SAN Switch Power Pack for HP c-Class Bladesystem (AE371A), HPQ Brocade 4/24 SAN Switch for HP c-Class Bladesystem (AE372A), HPQ Brocade 4Gb SAN Switch for HP p-Class BladeSystem, Power Pack (A7535A), IBM Brocade 10-port 4Gb SAN Switch Module for BladeCenter Servers (32R1813), IBM Brocade 20-port 4Gb SAN Switch Module for BladeCenter Servers (32R1812), IBM Brocade Enterprise SAN Switch Module For BladeCenter Servers (90P0165), IBM Brocade Entry SAN Switch Module For BladeCenter Servers (26K5601)	v5.0.5	2	1	2	See1, 2, 3, 4	FC-SW
6	Brocade Silkworm: 2400, 2800; EMC Connectrix: DS-16B, DS-8B	v2.6.2b	Fabric Manager v5.0.0a, Webtools	Dell Brocade 1/2Gb FC Switch Module (SW3014), Dell Brocade 4Gb FC Switch Module (SW4016), HPQ Brocade 4/12 SAN Switch for HP c-Class Bladesystem (AE370A)5, HPQ Brocade 4/24 SAN Switch Power Pack for HP c-Class Bladesystem (AE371A), HPQ Brocade 4/24 SAN Switch for HP c-Class Bladesystem (AE372A), HPQ Brocade 4Gb SAN Switch for HP p-Class BladeSystem, Power Pack (A7535A), IBM Brocade 10-port 4Gb SAN Switch Module for BladeCenter Servers (32R1813), IBM Brocade 20-port 4Gb SAN Switch Module for BladeCenter Servers (32R1812), IBM Brocade Enterprise SAN Switch Module For BladeCenter Servers (90P0165), IBM Brocade Entry SAN Switch Module For BladeCenter Servers (26K5601)	v5.0.5	2	1	2	See1, 2, 3, 4	FC-SW
		Switch Firmware Revision	Switch Management Application Revision		Interoperable Switch Firmware	Max # Domains per Fabric	Max # Hops	ISL Domain to Domain	Comments	Topology
7	Dell Brocade: 1/2Gb FC Switch Module (SW3014), 4Gb FC	v5.0.5	Fabric Manager v5.0.0a, Webtools	Brocade Silkworm 12000, Brocade Silkworm 200E, Brocade Silkworm 24000, Brocade Silkworm 3250, Brocade	v5.0.5	2	1	2	See1, 2, 3, 4	FC-SW

	<p>Switch Module (SW4016);</p> <p>HPQ Brocade: 4/12 SAN Switch for HP c-Class Bladesystem (AE370A)5, 4/24 SAN Switch Power Pack for HP c-Class</p> <p>Bladesystem (AE371A), 4/24 SAN Switch for HP c-Class</p> <p>Bladesystem (AE372A), 4Gb SAN Switch for HP p-Class BladeSystem, Power Pack (A7535A); IBM Brocade: 10-port 4Gb SAN Switch</p> <p>Module for BladeCenter Servers (32R1813), 20-port 4Gb SAN Switch</p> <p>Module for BladeCenter Servers (32R1812), Enterprise SAN Switch Module For BladeCenter Servers (90P0165), Entry SAN Switch Module For BladeCenter Servers (26K5601)</p>			<p>Silkworm 3850, Brocade Silkworm 3900, Brocade Silkworm 4100, Brocade Silkworm 48000, EMC Connectrix DS-16B3, EMC Connectrix DS-220B, EMC Connectrix DS-32B2, EMC Connectrix DS-4100B, EMC Connectrix DS-8B3, EMC Connectrix ED-12000B, EMC Connectrix ED-24000B, EMC Connectrix ED-48000B</p>						
8	<p>Dell Brocade: 1/2Gb FC Switch Module (SW3014), 4Gb FC Switch Module (SW4016);</p> <p>HPQ Brocade: 4/12 SAN Switch for HP c-Class Bladesystem (AE370A)5, 4/24 SAN Switch Power Pack for HP c-Class</p> <p>Bladesystem (AE371A), 4/24 SAN Switch for HP c-Class</p> <p>Bladesystem (AE372A), 4Gb SAN Switch for HP p-Class BladeSystem, Power Pack (A7535A); IBM Brocade: 10-port 4Gb SAN Switch</p> <p>Module for BladeCenter Servers</p>	v5.0.5	<p>Fabric Manager v5.0.0a, Webtools</p>	<p>Brocade Silkworm 2400, Brocade Silkworm 2800, EMC Connectrix DS-16B, EMC Connectrix DS-8B</p>	v2.6.2b	2	1	2	See1, 2, 3, 4	FC-SW

No.	Switch	Switch Firmware Revision	Switch Management Application Revision	Interoperable Switch	Interoperable Switch Firmware	Max # Domains per Fabric	Max # Hops	ISL Domain to Domain	Comments	Topology
	(32R1813), 20-port 4Gb SAN Switch Module for BladeCenter Servers (32R1812), Enterprise SAN Switch Module For BladeCenter Servers (90P0165), Entry SAN Switch Module For BladeCenter Servers (26K5601)									
9	Dell Brocade: 1/2Gb FC Switch Module (SW3014), 4Gb FC Switch Module (SW4016); HPQ Brocade: 4/12 SAN Switch for HP c-Class Bladesystem (AE370A)5, 4/24 SAN Switch Power Pack for HP c-Class Bladesystem (AE371A), 4/24 SAN Switch for HP c-Class Bladesystem (AE372A), 4Gb SAN Switch for HP p-Class BladeSystem, Power Pack (A7535A); IBM Brocade: 10-port 4Gb SAN Switch Module for BladeCenter Servers (32R1813), 20-port 4Gb SAN Switch Module for BladeCenter Servers (32R1812), Enterprise SAN Switch Module For BladeCenter Servers (90P0165), Entry SAN Switch Module For BladeCenter Servers (26K5601)	v5.0.5	Fabric Manager v5.0.0a, Webtools	Brocade Silkworm 3800, EMC Connectrix DS-16B2, EMC Connectrix DS-8B2	v3.2.1, v3.2.1b	2	1	2	See1, 2, 3, 4	FC-SW
10	Dell McDATA FC Switch Module (SW4314)	5.2.0.27, 5.2.0.34	EFCM basic 5.02.06, EFCM basic 5.02.07.2	EMC Connectrix DS-16M, EMC Connectrix DS-16M2, EMC Connectrix DS-24M2, EMC Connectrix DS-32M, EMC Connectrix DS-32M2, EMC Connectrix ED-140M11, EMC Connectrix ED-64M12, McDATA ED-606412, McDATA ED-614011, McDATA ES-3032, McDATA ES-3216, McDATA ES-3232, McDATA ES-430010, McDATA ES-4500	6.02.00, 7.01.00, 8.00.00, 8.00.01, 8.01.01	2	1	2	See1, 2, 3, 4, 8, 9	FC-SW
11	Dell McDATA FC Switch Module (SW4314)	5.2.0.27, 5.2.0.34	EFCM basic 5.02.06, EFCM basic 5.02.07.2	EMC Connectrix DS-4400M, EMC Connectrix DS-4700M, McDATA ES-4400, McDATA ES-4700	8.00.00, 8.00.01, 8.01.01	2	1	2	See1, 2, 3, 4, 8, 9	FC-SW
12	Dell McDATA FC Switch Module (SW4314)	5.2.0.27, 5.2.0.34	EFCM basic 5.02.06, EFCM basic 5.02.07.2	EMC Connectrix ED-10000M, McDATA Intrepid 100007	6.02.00, 6.03.01, 6.04.00	2	1	2	See1, 2, 3, 4, 8, 9	FC-SW
13	Dell McDATA FC Switch Module (SW4314)	5.2.0.27, 5.2.0.34	EFCM basic 5.02.06, EFCM basic 5.02.07.2	McDATA ES-3016	6.01.00, 6.02.00, 7.01.00, 8.00.00, 8.00.01	2	1	2	See1, 2, 3, 4, 8, 9	FC-SW

14	EMC Connectrix 3250-VL2E15	v5.0.5, v5.1.0a, v5.1.0d	Fabric Manager v5.0.0a, Fabric Manager v5.1.0, Webtools	EMC Connectrix 3250-VL2E15	v5.0.5, v5.1.0a, v5.1.0d	2	1	2	See1, 2, 3, 4	FC-SW
15	EMC Connectrix DS-220B-FF-D13	v5.0.5, v5.1.0a, v5.1.0d	Fabric Manager v5.0.0a, Fabric Manager v5.1.0, Webtools	EMC Connectrix DS-220B-FF-D13	v5.0.5, v5.1.0a, v5.1.0d	2	1	2	See1, 2, 3, 4	FC-SW
16	EMC Connectrix DS-4100B	v5.0.5, v5.1.0a, v5.1.0d	Fabric Manager v5.0.0a, Fabric Manager v5.1.0, Webtools	EMC Connectrix DS-4100B	v5.0.5, v5.1.0a, v5.1.0d	2	1	2	See1, 2, 3, 4	FC-SW
17	EMC Connectrix DS-8B2-ODL	v3.2.1, v3.2.1b	Fabric Manager v5.0.0a, Fabric Manager v5.1.0, Webtools	EMC Connectrix DS-8B2-ODL	v3.2.1, v3.2.1b	2	13	2	See1, 2, 3, 4	FC-SW
18	EMC Connectrix DS-8B3	v5.0.5, v5.1.0a, v5.1.0d	Fabric Manager v5.0.0a, Fabric Manager v5.1.0, Webtools	EMC Connectrix DS-8B3	v5.0.5, v5.1.0a, v5.1.0d	2	13	2	See1, 2, 3, 4	FC-SW
19	EMC Connectrix ED-10000M; McDATA Intrepid 100007	6.02.00, 6.03.01, 6.04.00	Command Line Interface, Connectrix Manager 8.9.1	Dell McDATA FC Switch Module (SW4314)	5.2.0.27, 5.2.0.34	2	1	2	See1, 2, 3, 4, 8, 9	FC-SW
20	EMC Connectrix: DS-16M, DS-16M2, DS-24M2, DS-32M, DS-32M2, ED-140M11, ED-64M12; McDATA: ED-606412, ED-614011, ES-3032, ES-3216, ES-3232, ES-430010, ES-4500	6.02.00, 7.01.00, 8.00.00, 8.00.01, 8.01.01	Command Line Interface, Connectrix Manager 8.6.1	Dell McDATA FC Switch Module (SW4314)	5.2.0.27, 5.2.0.34	2	1	2	See1, 2, 3, 4, 8, 9	FC-SW
21	EMC Connectrix: DS-4400M, DS-4700M; McDATA: ES-4400, ES-4700	8.00.00, 8.00.01, 8.01.01	Command Line Interface, Connectrix Manager 8.9.1	Dell McDATA FC Switch Module (SW4314)	5.2.0.27, 5.2.0.34	2	1	2	See1, 2, 3, 4, 8, 9	FC-SW
		Switch Firmware Revision	Switch Management Application Revision	Interoperable Switch	Interoperable Switch Firmware	Max # Domains per Fabric	Max # Hops	ISL Domain to Domain	Comments	Topology
22	McDATA ES-3016	6.01.00, 6.02.00, 7.01.00, 8.00.00, 8.00.01	Command Line Interface, Connectrix Manager 8.6.1	Dell McDATA FC Switch Module (SW4314)	5.2.0.27, 5.2.0.34	2	1	2	See1, 2, 3, 4, 8, 9	FC-SW
23	McDATA ES-430010	6.01.0014, 6.02.0014, 7.01.00	Command Line Interface, EFCM Basic (EWS), SAN Pilot (EWS), SANpilot (EWS)	McDATA ES-430010	6.01.0014, 6.02.0014, 7.01.0014	2	1	2	See1, 2, 3, 4	FC-SW
24	QLogic SANBox SB1404-10AJ-E	5.0.1.10.00	SANsurfer 5.00.1.05	QLogic SANBox SB1404-10AJ-E	5.0.1.10.00	2	2	1	See1, 2, 3, 4	FC-SW
25	QLogic SANBox SB3050-08A-E	4.0.2.4-0	SANbox Manager 4.00.11-0714	QLogic SANBox SB3050-08A-E	4.0.2.4-0	2	1	2	See1, 2, 3, 4	FC-SW
26	QLogic SANBox SB3050-08A-E	4.0.2.4-0	SANbox Manager 4.00.11-0714	QLogic SANBox SB3050-08A-E	4.0.2.4-0	2	1	2	See1, 2, 3, 4, 6	FC-SW

1. Max # of Domains per Fabric: The maximum number of switches a Fibre Channel fabric may contain under the current topology limitations.
2. Switch Management Application Revision: Switch Management versions are backward compatible. You may manage any lower-level switch with a higher level Management Application Revision.
3. Max # Hops: The maximum number of ISLs (Inter-Switch Links) a frame needs to traverse between any input port of the fabric to any output port, assuming all ISLs are active (no ISL or switch fault condition is present). This is the maximum number of hops in a fabric.
4. Switch Management Application Revision: The use of mixed code revisions in the same fabric should be limited to code upgrade processes only. You must always use the management code rev. associated with the highest level of switch code.
5. HP Part number AE373A is 12 port upgrade license for Brocade 4/12 SAN Switch.
6. the configuration is customer instalable

7. This switch is the same as the IBM SAN256M
8. One of the core fabric switches must be configured to be a principle switch. the blade switches should not acquire the role of principle switch.
9. The following setting should be verified: DefaultZoning = False; DefaultVisibility = None
10. The minimum firmware revision for the ES-4300 is 5.05.00 (This firmware revision is only to be used on ES-4300)
11. Do not attempt to manage an ED-140M containing XPM (10 Gb/sec) or QPM (4 Gb/sec) port modules with Connectrix Manager 7.x. The XPM requires Connectrix Manager 8.7.1 and the QPM requires Connectrix Manager 8.9.0.
12. Do not attempt to manage an ED-64M containing XPM (10 Gb/sec) port modules with Connectrix Manager 7.x. The XPM requires Connectrix Manager 8.7.1 at a minimum.
13. Dell offers the following versions of the DS-220B-FF-D switch: DS-210B-DE and DS-210B-DEU. Please reference the Dell website for further information.
14. McDATA Open Trunking is supported at E/OS 6.01.00 and above. For configuration information, see the EMC Networked Storage Topology guide.
15. This switch is offered by Dell as the Brocade VL2 LC.

iSCSI Support Matrix

SSR212PPi / SSR212PP2i Configuration Rules

Note: In this document, *array* means *storage system*.

Dedicated storage networks are highly recommended, but not required. Hosts can connect to an iSCSI array using a Layer 2 (switched) or Layer 3 (routed) network. Also, the presence of VLANs, VPNs, or NAT devices on the network should be transparent to the array and are supported as long as the network quality is adequate.

Switches, Routers, NICs

- Support is provided for industry-standard switches, routers, and Network Interface Cards (NICs).
- Supports up to four HBAs, or one (if the storage system has one SP) or two (if the storage system has two SPs) NICs per server connecting to one storage system.
- A single server can not use HBAs and NICs to connect to the same storage system.
- Servers can use a combination of HBAs and NICs to connect to different storage systems.
- Separate servers, some with HBAs and some with NICs, can connect to the same storage system.
- A single server cannot use a combination of Fibre Channel HBAs and NICs or iSCSI HBAs to attach to a Fibre Channel storage system and an iSCSI storage system at the same time.
- A single server can attach to CLARiiON AX150 iSCSI storage systems and thru IP/FC Switches to CLARiiON AX150 Fibre Channel storage systems when there is common network configuration, failover software, and driver support for both platforms.
- A server can be connected to a maximum of four CLARiiON storage systems.
- An initiator can be connected to a maximum of eight array ports (four dual-SP arrays) or four array ports (four single-SP arrays), but no more than four storage systems.

Environment and Configurability

- The connection to the array must be 1 Gb copper (RJ45).
Direct 10/100 NIC connections to the array are not supported, except to management ports.
- Direct-attach is via either 10/100/1000 NIC (operating at 1 Gb) or QLA4010C* HBA.
- Initiators per SP port or storage system:
A maximum of 10 initiators can be connected to a single SP AX150SCI port.
A maximum of 10 hosts can connect to an AX150SCI.
A maximum of 20 initiators can be connected to a dual SP AX150i.
A maximum of 10 hosts can connect to an AX150i.
- Target array addresses and names must be configured manually in the Initiators.
- Server names and passwords must be configured manually in the iSCSI storage system.
- Authentication mechanism to be used is the Challenge Handshake Authentication Protocol (CHAP).

Considerations

- The AX150i and AX150SCi have two front-end iSCSI ports per storage processor.
- Currently, it is not possible to boot a Windows system using an iSCSI disk volume provided by the Microsoft iSCSI initiator. The only currently supported method for booting a Windows system using an iSCSI disk volume is via a supported HBA.
- When using multiple NICs in the same server, up to two NICs per host are supported to one AX150I array. If multiple NICs are installed, it is recommended that each be on a different subnet. If multiple NICs are on the same subnet, the *MS Advanced* configuration setup must be utilized in order to take advantage of the additional NICs. If the *Advanced* configuration setup in the MS initiator is not used, additional NICs would be used typically only in a failover situation.
- When HBAs and NICs are present in the same host, the Microsoft iSCSI initiator *must not* be used to control the HBAs. The HBA utility is the only supported interface to the adapter.
- When using the Microsoft iSCSI initiator, all NICs in the same host will use the same iSCSI name. The name will identify the host and the NICs will not be identifiable.
- When using QLogic iSCSI adapters, each HBA has a unique iSCSI name that identifies the individual HBA in the host.
- Dynamic disks are not supported on an iSCSI session using the Microsoft iSCSI initiator.
- EMC supports up to two nodes with iSCSI Windows server 2003 Cluster environments with the latest MS Initiator.

Native iSCSI

Microsoft Windows 2000

Microsoft Windows 2000						
No.	Operating System	Host Bus Adapter	Network Configuration	Storage Array	External Boot	Comments
1	Microsoft Windows 2000: Advanced Server SP4, Server SP4	Generic NIC 10/100/18, 19, 20, 21, Generic NIC GbE18, 19, 20, 21	LAN Only16	Intel SSR212PPfi14	N	See2, 3, 4, 15, 17
2	Microsoft Windows 2000: Advanced Server SP4, Server SP4	IBM QLogic iSCSI Exp Card for BladeCenter (26K6487)8, 9, 11, 22, 23, 24, QLogic QLA4010-E-SP5, 8, 9, 11, 12, 13, 25, 26, 27, QLogic QLA4010C-E-SP5, 8, 9, 11, 12, 13, 25, 26, 27, QLogic QLA4050-E-SP5, 6, 7, 8, 9, 10, 11, 12, 13, QLogic QLA4050C-E-SP5, 6, 7, 8, 9, 10, 11, 12, 13	LAN Only15, 16	Intel SSR212PPfi14	Y1	See2, 3, 4

1. Servers booting from external storage with QLA4010 iSCSI boards require Microsoft iSCSI Initiator 2.0 or 2.02 service to be installed. Note that HBA IQN must be altered prior to Windows installation. Refer to EMC Host Connectivity Guide for information on changing IQN and setting up boot for servers requiring MS iSCSI Initiator service.
2. Microsoft Dynamic Disks are not supported.
3. Powerpath iSCSI 1.1 is not supported with Windows 2000 operating systems.
4. Powerpath 4.3.1 or higher is supported. All paths may be on a single subnet, or multiple subnets may be used.
5. Driver Version 2.1.3.3
6. Firmware Version 2.0.0.38
7. BIOS 1.08
8. Configuration utility for QLogic iSCSI HBAs is QLogic SANsurfer available at <http://www.qlogic.com>
9. QLogic iSCSI HBAs require the Microsoft iSCSI Software Initiator 2.0 or 2.02 Service to be installed. The Service is required by Microsoft and is different from the full Microsoft iSCSI Software Initiator.
10. QLogic iSCSI HBAs require the Microsoft iSCSI Software Initiator 2.0 or 2.02 Service to be installed. The Service is required by Microsoft and is different from the full Microsoft iSCSI Software Initiator. Refer to the EMC Host Connectivity guide for additional information on Windows iSCSI components and the Microsoft iSCSI Software Initiator usage.
11. Microsoft Initiator software version 2.0 and later automatically forces IQN's to lower-case. This may require array-side host access reconfiguration.
12. QLogic iSCSI HBAs are supported in any server listed in the ESM Fibre Channel tables that list support for the QLA2340 HBAs with the same operating system version listed here.

13. QLA4010 iSCSI boards booting from external storage require "Spanning Tree" features to be disabled on network switches used in the boot path.
14. Maximum number of iSCSI initiators that can log into an iSCSI target port is 8
15. LAN support includes direct connect (layer 2), switched (layer 2), or routed (layer 3) networks.
16. Routed networks (layer 3) require iSCSI digest to be enabled.
17. EMC provides documentation for iSCSI configurations that contains helpful information for using iSCSI with EMC storage. Visit EMC Powerlink and download part number 300–000–603 for the Windows Host Connectivity Guide.
18. Driver Version Microsoft iSCSI Initiator 2.0 Microsoft iSCSI Initiator software NIC teaming with Microsoft iSCSI Initiator is not supported. EMC recommends that on hosts with multiple NICs that the Software Initiator Source_IP default selection not be used, and a NIC be explicitly selected for maximum path availability. Refer to the EMC Host Connectivity Guide for more detailed information.
19. Driver Version Microsoft iSCSI Initiator 2.02 Microsoft iSCSI Initiator software NIC teaming with Microsoft iSCSI Initiator is not supported. EMC recommends that on hosts with multiple NICs that the Software Initiator Source_IP default selection not be used, and a NIC be explicitly selected for maximum path availability. Refer to the EMC Host Connectivity Guide for more detailed information.
20. The following NICs are not supported: 3COM–3C996B
21. Any Microsoft supported server/NIC for the listed operating system revision is supported.
22. BIOS 1.04
23. Driver Version 2.1.1.0
24. Firmware Version 2.00.00.07
25. Driver Version 2.1.0.3
26. Firmware Version 3.0.0.16
27. BIOS 1.11

Microsoft Windows 2003 [x64]

Microsoft Windows 2003 [x64]						
No.	Operating System	Host Bus Adapter	Network Configuration	Storage Array	External Boot	Comments
1	Microsoft Windows 2003 [x64] Enterprise: Edition, Edition R2; Microsoft Windows 2003 [x64] Standard: Edition, Edition R2; Microsoft Windows 2003 [x64] Storage Server: Enterprise Edition R221, Standard Edition R221	Generic NIC 10/1008, 9, 10, 11, Generic NIC GbE8, 9, 10, 11	LAN Only7	Intel SSR212PPfi 1	N	See2, 3, 4, 5, 6
2	Microsoft Windows 2003 [x64] Enterprise: Edition, Edition R2; Microsoft Windows 2003 [x64] Standard: Edition, Edition R2; Microsoft Windows 2003 [x64] Storage Server: Enterprise Edition R221, Standard Edition R221	QLogic QLA4010–E–SP12, 13, 14, 15, 16, 17, 18, 19, 20, QLogic QLA4010C–E–SP12, 13, 14, 15, 16, 17, 18, 19, 20, QLogic QLA4050–E–SP13, 25, 26, QLogic QLA4050C–E–SP13, 16, 17, 18, 19, 20, 22, 23, 24, 25, 26	LAN Only2, 7	Intel SSR212PPfi 1	N	See3, 5, 6

1. Maximum number of iSCSI initiators that can log into an iSCSI target port is 8
2. LAN support includes direct connect (layer 2), switched (layer 2), or routed (layer 3) networks.
3. Microsoft Dynamic Disks are not supported.
4. EMC provides documentation for iSCSI configurations that contains helpful information for using iSCSI with EMC storage. Visit EMC Powerlink and download part number 300–000–603 for the Windows Host Connectivity Guide.
5. Powerpath 4.3.1 or higher is supported. All paths may be on a single subnet, or multiple subnets may be used.
6. Powerpath iSCSI 1.1 is supported with Windows 2003 operating systems.
7. Routed networks (layer 3) require iSCSI digest to be enabled.
8. The following NICs are not supported: 3COM–3C996B
9. Any Microsoft supported server/NIC for the listed operating system revision is supported.
10. Driver Version Microsoft iSCSI Initiator 2.02 Microsoft iSCSI Initiator software NIC teaming with Microsoft iSCSI Initiator is not supported. EMC recommends that on hosts with multiple NICs that the Software Initiator Source_IP default selection not be used, and a NIC be explicitly selected for maximum path availability. Refer to the EMC Host Connectivity Guide for more detailed information.
11. Driver Version Microsoft iSCSI Initiator 2.0 Microsoft iSCSI Initiator software NIC teaming with Microsoft iSCSI Initiator is not supported. EMC recommends that on hosts with multiple NICs that the Software Initiator Source_IP default selection not be used, and a NIC be explicitly selected for maximum path availability. Refer to the EMC Host Connectivity Guide for more detailed information.
12. Firmware Version 3.0.0.16
13. Driver Version 2.1.3.8
14. Driver Version 2.1.0.8
15. BIOS 1.11

- 16. Configuration utility for QLogic iSCSI HBAs is QLogic SANsurfer available at <http://www.qlogic.com>
- 17. QLogic iSCSI HBAs require the Microsoft iSCSI Software Initiator 2.0 or 2.02 Service to be installed. The Service is required by Microsoft and is different from the full Microsoft iSCSI Software Initiator.
- 18. Microsoft Initiator software version 2.0 and later automatically forces IQN's to lower-case. This may require array-side host access reconfiguration.
- 19. QLogic iSCSI HBAs are supported in any server listed in the ESM Fibre Channel tables that list support for the QLA2340 HBAs with the same operating system version listed here.
- 20. QLA4010 iSCSI boards booting from external storage require "Spanning Tree" features to be disabled on network switches used in the boot path.
- 21. configurations.
- 22. SPC-2 flag must be enabled for iSCSI Symmetrix configurations.
- 23. QLogic iSCSI HBAs require the Microsoft iSCSI Software Initiator 2.0 or 2.02 Service to be installed. The Service is required by Microsoft and is different from the full Microsoft iSCSI Software Initiator. Refer to the EMC Host Connectivity guide for additional information on Windows iSCSI components and the Microsoft iSCSI Software Initiator usage.
- 24. Clustered hosts may access shared Symmetrix LUNs via iSCSI or Fibre Channel (iSCSI on one node, Fibre Channel on another.)
- 25. Firmware Version 2.0.0.38
- 26. BIOS 1.08

Microsoft Windows 2003 [x86]

Microsoft Windows 2003 [x86]						
No.	Operating System	Host Bus Adapter	Network Configuration	Storage Array	External Boot	Comments
1	Microsoft Windows 2003 [x86] Enterprise: Edition, Edition R2, Edition SP1;	IBM QLogic iSCSI Exp Card for BladeCenter (26K6487)7, 10, 20, 21, 22, QLogic QLA4010-E-SP6, 7, 10, 11, 12, 18, 28, 29, 30, QLogic QLA4010C-E-SP6, 7, 10, 11, 12, 18, 28, 29, 30, QLogic QLA4050-E-SP2, 17, 18, QLogic QLA4050C-E-SP2, 6, 7, 8, 9, 10, 11, 12, 13, 17, 18	LAN Only15, 16	Intel SSR212PPfi14	Y1	See3, 4, 5
	Microsoft Windows 2003					
	[x86] Standard: Edition, Edition R2, Edition SP1;					
	Microsoft Windows 2003					
	[x86] Storage Server Enterprise Edition: R219 , SP119;					
	Microsoft Windows 2003					
	[x86] Storage Server: Enterprise Edition19, R219 , SP119;					
	Microsoft Windows 2003 [x86] Storage Server19					
2	Microsoft Windows 2003 [x86] Enterprise: Edition, Edition R2;	Generic NIC 10/10023, 24, 25, 26, Generic NIC GbE23, 24, 25, 26	LAN Only16	Intel SSR212PPfi14	N	See3, 4, 5, 15, 27
	Microsoft Windows 2003 [x86] Standard: Edition, Edition R2;					
	Microsoft Windows 2003					
	[x86] Storage Server Enterprise Edition: R219 , SP119;					
	Microsoft Windows 2003					
	[x86] Storage Server: Enterprise Edition19, R219 , SP119;					
	Microsoft Windows 2003 [x86] Storage Server19					
3	Microsoft Windows 2003 [x86]: Enterprise Edition SP1, Standard Edition SP1	Generic NIC 10/10023, 24, 25, 26, Generic NIC GbE23, 24, 25, 26	LAN Only16	Intel SSR212PPfi14	Y31	See3, 4, 5, 15, 27

- 1. Servers booting from external storage with QLA4010 iSCSI boards require Microsoft iSCSI Initiator 2.0 or 2.02 service to be installed. Note that HBA IQN must be altered prior to Windows installation. Refer to EMC Host Connectivity Guide for information on changing IQN and setting up boot for servers requiring MS iSCSI Initiator service.
- 2. Firmware Version 2.0.0.38
- 3. Microsoft Dynamic Disks are not supported.
- 4. Powerpath 4.3.1 or higher is supported. All paths may be on a single subnet, or multiple subnets may be used.
- 5. Powerpath iSCSI 1.1 is supported with Windows 2003 operating systems.

6. Configuration utility for QLogic iSCSI HBAs is QLogic SANsurfer available at <http://www.qlogic.com>
7. QLogic iSCSI HBAs require the Microsoft iSCSI Software Initiator 2.0 or 2.02 Service to be installed. The Service is required by Microsoft and is different from the full Microsoft iSCSI Software Initiator.
8. SPC-2 flag must be enabled for iSCSI Symmetrix configurations.
9. QLogic iSCSI HBAs require the Microsoft iSCSI Software Initiator 2.0 or 2.02 Service to be installed. The Service is required by Microsoft and is different from the full Microsoft iSCSI Software Initiator. Refer to the EMC Host Connectivity guide for additional information on Windows iSCSI components and the Microsoft iSCSI Software Initiator usage.
10. Microsoft Initiator software version 2.0 and later automatically forces IQN's to lower-case. This may require array-side host access reconfiguration.
11. QLogic iSCSI HBAs are supported in any server listed in the ESM Fibre Channel tables that list support for the QLA2340 HBAs with the same operating system version listed here.
12. QLA4010 iSCSI boards booting from external storage require "Spanning Tree" features to be disabled on network switches used in the boot path.
13. Clustered hosts may access shared Symmetrix LUNs via iSCSI or Fibre Channel (iSCSI on one node, Fibre Channel on another.)
14. Maximum number of iSCSI initiators that can log into an iSCSI target port is 8
15. LAN support includes direct connect (layer 2), switched (layer 2), or routed (layer 3) networks.
16. Routed networks (layer 3) require iSCSI digest to be enabled.
17. BIOS 1.08
18. Driver Version 2.1.3.8
19. Support for Windows 2003 Storage Server is limited to the connection to EMC storage arrays. Currently, Windows 2003 Storage Server is not supported in target mode for iSCSI configurations.
20. BIOS 1.04
21. Firmware Version 2.00.00.07
22. Driver Version 2.1.1.5
23. Driver Version Microsoft iSCSI Initiator 2.0 Microsoft iSCSI Initiator software NIC teaming with Microsoft iSCSI Initiator is not supported. EMC recommends that on hosts with multiple NICs that the Software Initiator Source_IP default selection not be used, and a NIC be explicitly selected for maximum path availability. Refer to the EMC Host Connectivity Guide for more detailed information.
24. Driver Version Microsoft iSCSI Initiator 2.02 Microsoft iSCSI Initiator software NIC teaming with Microsoft iSCSI Initiator is not supported. EMC recommends that on hosts with multiple NICs that the Software Initiator Source_IP default selection not be used, and a NIC be explicitly selected for maximum path availability. Refer to the EMC Host Connectivity Guide for more detailed information.
25. The following NICs are not supported: 3COM-3C996B
26. Any Microsoft supported server/NIC for the listed operating system revision is supported.
27. EMC provides documentation for iSCSI configurations that contains helpful information for using iSCSI with EMC storage. Visit EMC Powerlink and download part number 300-000-603 for the Windows Host Connectivity Guide.
28. BIOS 1.11
29. Firmware Version 3.0.0.16
30. Driver Version 2.1.0.8
31. iSCSI Boot from SAN only supported on IBM BladeCenter HS20 (8843). Requires Microsoft iSCSI Initiator 2.02 with boot supported. Contact IBM support to obtain this software

Red Hat RHEL [32-Bit]

Red Hat RHEL [32-Bit]						
No.	Operating System	Host Bus Adapter	Network Configuration	Storage Array	External Boot	Comments
1	Red Hat RHEL [32-Bit] 3.0 U7 AS/ES v2.4.21-40.EL	QLogic QLA4010-E-SP4, 6, 9, 27, QLogic QLA4010C-E-SP6, 9, 27	LAN Only	Intel SSR212PPfi	N	
2	Red Hat RHEL [32-Bit] 3.0 U7 AS/ES v2.4.21-40.EL	QLogic QLA4010-E-SP4, 6, 9, 27, QLogic QLA4010C-E-SP6, 9, 27	LAN Only	Intel SSR212PPfi	N	See7, 16
3	Red Hat RHEL [32-Bit] 3.0 U8 AS/ES v2.4.21-47.EL	IBM QLogic iSCSI Exp Card for BladeCenter (26K6487)4, 22, 23, 24, QLogic QLA4010-E-SP4, 6, 9, 24, QLogic QLA4010C-E-SP6, 9, 24, QLogic QLA4050-E-SP1, 3, 4, 5, 24, QLogic QLA4050C-E-SP1, 3, 4, 5, 24	LAN Only	Intel SSR212PPfi	N	
4	Red Hat RHEL [32-Bit] 3.0 U8 AS/ES v2.4.21-47.EL	QLogic QLA4010-E-SP4, 6, 9, 24, QLogic QLA4010C-E-SP6, 9, 24	LAN Only	Intel SSR212PPfi	N	See7, 16
5	Red Hat RHEL [32-Bit] 3.0: U5 AS/ES v2.4.21-32.EL, U5+ AS/ES v2.4.21-32.0.1.EL	Generic NIC 10/100/17, Generic NIC GbE15, 17	LAN Only	Intel SSR212PPfi	N	See7, 16
6	Red Hat RHEL [32-Bit] 3.0: U5 AS/ES v2.4.21-32.EL, U5+ AS/ES v2.4.21-32.0.1.EL	QLogic QLA4010-E-SP4, 5, 6, 9, 12, QLogic QLA4010C-E-SP5, 6, 8, 9, 10	LAN Only7	Intel SSR212PPfi	N	
7	Red Hat RHEL [32-Bit] 3.0: U6 AS/ES v2.4.21-37.EL, U6+ AS/ES v2.4.21-37.0.1.EL, U7 AS/ES v2.4.21-40.EL	IBM QLogic iSCSI Exp Card for BladeCenter (26K6487)2, 4, 22, 26	LAN Only	Intel SSR212PPfi	N	

8	Red Hat RHEL [32-Bit] 3.0: U6 AS/ES v2.4.21-37.EL, U6+ AS/ES v2.4.21-37.0.1.EL, U7 AS/ES v2.4.21-40.EL; Red Hat RHEL [32-Bit] 4.0: U3 AS/ES v2.6.9-34.EL, U3+ AS/ES v2.6.9-34.0.1.EL, U3+ AS/ES v2.6.9-34.0.2.EL	QLogic QLA4050-E-SP1, 2, 3, 4, 5, QLogic QLA4050C-E-SP1, 2, 3, 4, 5	LAN Only	Intel SSR212PPfi	N	
9	Red Hat RHEL [32-Bit] 3.0: U6 AS/ES v2.4.21-37.EL, U6+ AS/ES v2.4.21-37.0.1.EL, U7 AS/ES v2.4.21-40.EL, U8 AS/ES v2.4.21-47.EL	Generic NIC 10/10025, Generic NIC GbE25	LAN Only	Intel SSR212PPfi	N	See7, 16
10	Red Hat RHEL [32-Bit] 4.0: U2 AS/ES v2.6.9-22.EL, U2+ AS/ES v2.6.9-22.0.1.EL, U2+ AS/ES v2.6.9-22.0.2.EL, U3 AS/ES v2.6.9-34.EL, U3+ AS/ES v2.6.9-34.0.1.EL, U3+ AS/ES v2.6.9-34.0.2.EL	IBM QLogic iSCSI Exp Card for BladeCenter (26K6487)4, 14, 21, 22, QLogic QLA4050-E-SP1, 3, 4, 5, 14, QLogic QLA4050C-E-SP1, 3, 4, 5, 14	LAN Only	Intel SSR212PPfi	N	
11	Red Hat RHEL [32-Bit] 4.0: U2 AS/ES v2.6.9-22.EL, U2+ AS/ES v2.6.9-22.0.1.EL, U2+ AS/ES v2.6.9-22.0.2.EL, U3 AS/ES v2.6.9-34.EL, U3+ AS/ES v2.6.9-34.0.1.EL, U3+ AS/ES v2.6.9-34.0.2.EL	QLogic QLA4010-E-SP4, 5, 6, 9, 14, QLogic QLA4010C-E-SP5, 6, 8, 9, 13	LAN Only7	Intel SSR212PPfi	N	
12	Red Hat RHEL [32-Bit] 4.0: U2 AS/ES v2.6.9-22.EL, U2+ AS/ES v2.6.9-22.0.1.EL, U2+ AS/ES v2.6.9-22.0.2.EL, U3 AS/ES v2.6.9-34.EL, U3+ AS/ES v2.6.9-34.0.1.EL, U3+ AS/ES v2.6.9-34.0.2.EL, U4 AS/ES v2.6.9-42.EL, U4+ AS/ES v2.6.9-42.0.2.EL	Generic NIC 10/10018, Generic NIC GbE18	LAN Only	Intel SSR212PPfi	N	See7, 16
13	Red Hat RHEL [32-Bit] 4.0: U3 AS/ES v2.6.9-34.EL, U3+ AS/ES v2.6.9-34.0.1.EL, U3+ AS/ES v2.6.9-34.0.2.EL	QLogic QLA4050-E-SP1, 3, 4, 5, 20, QLogic QLA4050C-E-SP1, 3, 4, 5, 19	LAN Only	Intel SSR212PPfi	N	
14	Red Hat RHEL [32-Bit] 4.0: U4 AS/ES v2.6.9-42.EL, U4+ AS/ES v2.6.9-42.0.2.EL	IBM QLogic iSCSI Exp Card for BladeCenter (26K6487)4, 11, 21, 22, 23, QLogic QLA4050-E-SP1, 3, 4, 5, 11, QLogic QLA4050C-E-SP1, 3, 4, 5, 11	LAN Only	Intel SSR212PPfi	N	
15	Red Hat RHEL [32-Bit] 4.0: U4 AS/ES v2.6.9-42.EL, U4+ AS/ES v2.6.9-42.0.2.EL	QLogic QLA4010-E-SP4, 5, 6, 9, 11, QLogic QLA4010C-E-SP5, 6, 8, 9, 11	LAN Only7	Intel SSR212PPfi	N	

1. Firmware Version 2.00.00.38 Available in the EMC-approved section of the QLogic website. <http://www.qlogic.com>
2. Driver Version 3.23 Available in the EMC-approved section of the QLogic website. <http://www.qlogic.com>
3. BIOS 1.08 Available in the EMC-approved section of the QLogic website. <http://www.qlogic.com>
4. Requires SANsurfer for installation and configuration and is available for download from the EMC-approved section of the QLogic website at <http://www.qlogic.com>
5. QLogic iSCSI HBAs are supported in any server listed in the ESM Fibre Channel tables that list support for the QLA2340 HBAs with the same operating system version listed here.
6. BIOS 1.11 Available in the EMC-approved section of the QLogic website. <http://www.qlogic.com>
7. LAN support includes direct connect (layer 2), switched (layer 2), or routed (layer 3) networks.
8. Requires QLogic firmware version 3.00.00.4 available from the EMC-approved section of the QLogic website at <http://www.qlogic.com>
9. Firmware Version 3.00.00.16
10. Driver Version 3.22 Available in the EMC-approved section of the QLogic website. <http://www.qlogic.com> Requires SANsurfer for installation and configuration and is available for download from the EMC-approved section of the QLogic website at <http://www.qlogic.com>
11. Driver Version 5.00.07 Available in the EMC-approved section of the QLogic website. <http://www.qlogic.com>
12. Driver Version 3.22 Available in the EMC-approved section of the QLogic website. <http://www.qlogic.com>
13. Driver Version 5.00.04 Available in the EMC-approved section of the QLogic website. <http://www.qlogic.com> Requires SANsurfer for installation and configuration and is available for download from the EMC-approved section of the QLogic website at <http://www.qlogic.com>
14. Driver Version 5.00.04 Available in the EMC-approved section of the QLogic website. <http://www.qlogic.com>
15. The following NICs are not supported: 3COM-3C996B
16. The software initiator is part of the operating system and not an EMC software product. Please refer to the required release note "EMC Linux iSCSI Attach Release Notes", p/n 300-002-672, that can be found on EMC's Powerlink website in Support -> The Document Library -> Host Connectivity for the complete installation information.
17. Driver Version iSCSI Initiator 3.6.2 Driver is integrated into the kernel.
18. Driver Version iSCSI Software Initiator 4.0.1.11 Driver is integrated into the kernel.
19. Driver Version 5.00.04 Available in the EMC-approved section of the QLogic website. <http://www.qlogic.com> Driver is integrated into the kernel.
20. Driver Version 5.00.04 Driver is integrated into the kernel.
21. Requires QLogic firmware version 2.00.00.07 available from the EMC-approved section of the QLogic website at <http://www.qlogic.com>
22. BIOS 1.04 Available in the EMC-approved section of the QLogic website. <http://www.qlogic.com>
23. Firmware Version 2.00.00.38
24. Driver Version 3.27 Available in the EMC-approved section of the QLogic website. <http://www.qlogic.com>
25. Driver Version iSCSI initiator 3.6.3 Driver is integrated into the kernel.
26. Firmware Version 2.00.00.07 Available in the EMC-approved section of the QLogic website. <http://www.qlogic.com>
27. Driver Version 3.22

Red Hat RHEL [EM64T]

Red Hat RHEL [EM64T]						
No.	Operating System	Host Bus Adapter	Network Configuration	Storage Array	External Boot	Comments
1	Red Hat RHEL [EM64T] 3.0 U7 AS/ES v2.4.21-40.EL	QLogic QLA4010-E-SP4, 14, 15, 23, QLogic QLA4010C-E-SP14, 15, 23	LAN Only	Intel SSR212PPfi	N	
2	Red Hat RHEL [EM64T] 3.0 U7 AS/ES v2.4.21-40.EL	QLogic QLA4010-E-SP4, 14, 15, 23, QLogic QLA4010C-E-SP14, 15, 23	LAN Only	Intel SSR212PPfi	N	See7, 8
3	Red Hat RHEL [EM64T] 3.0 U8 AS/ES v2.4.21-47.EL	IBM QLogic iSCSI Exp Card for BladeCenter (26K6487)1, 4, 11, 19, QLogic QLA4010-E-SP1, 4, 14, 15, QLogic QLA4010C-E-SP1, 14, 15, QLogic QLA4050-E-SP1, 2, 3, 4, 5, QLogic QLA4050C-E-SP1, 2, 3, 4, 5	LAN Only	Intel SSR212PPfi	N	
4	Red Hat RHEL [EM64T] 3.0 U8 AS/ES v2.4.21-47.EL	QLogic QLA4010-E-SP1, 4, 14, 15, QLogic QLA4010C-E-SP1, 14, 15	LAN Only	Intel SSR212PPfi	N	See7, 8
5	Red Hat RHEL [EM64T] 3.0: U5 AS/ES v2.4.21-32.EL, U5+ AS/ES v2.4.21-32.0.1.EL	Generic NIC 10/1006, Generic NIC GbE6, 9	LAN Only	Intel SSR212PPfi	N	See7, 8
6	Red Hat RHEL [EM64T] 3.0: U5 AS/ES v2.4.21-32.EL, U5+ AS/ES v2.4.21-32.0.1.EL	QLogic QLA4010-E-SP4, 5, 14, 15, 27, QLogic QLA4010C-E-SP5, 14, 15, 16, 26	LAN Only7	Intel SSR212PPfi	N	
7	Red Hat RHEL [EM64T] 3.0: U6 AS/ES v2.4.21-37.EL, U6+ AS/ES v2.4.21-37.0.1.EL, U7 AS/ES v2.4.21-40.EL	IBM QLogic iSCSI Exp Card for BladeCenter (26K6487)4, 11, 21, 22	LAN Only	Intel SSR212PPfi	N	
8	Red Hat RHEL [EM64T] 3.0: U6 AS/ES v2.4.21-37.EL, U6+ AS/ES v2.4.21-37.0.1.EL, U7 AS/ES v2.4.21-40.EL; Red Hat RHEL [EM64T] 4.0: U3 AS/ES v2.6.9-34.EL, U3+ AS/ES v2.6.9-34.0.1.EL, U3+ AS/ES v2.6.9-34.0.2.EL	QLogic QLA4050-E-SP2, 3, 4, 5, 22, QLogic QLA4050C-E-SP2, 3, 4, 5, 22	LAN Only	Intel SSR212PPfi	N	
9	Red Hat RHEL [EM64T] 3.0: U6 AS/ES v2.4.21-37.EL, U6+ AS/ES v2.4.21-37.0.1.EL, U7 AS/ES v2.4.21-40.EL, U8 AS/ES v2.4.21-47.EL	Generic NIC 10/10020, Generic NIC GbE20	LAN Only	Intel SSR212PPfi	N	See7, 8
10	Red Hat RHEL [EM64T] 4.0: U2 AS/ES v2.6.9-22.EL, U2+ AS/ES v2.6.9-22.0.1.EL, U2+ AS/ES v2.6.9-22.0.2.EL, U3 AS/ES v2.6.9-34.EL, U3+ AS/ES v2.6.9-34.0.1.EL, U3+ AS/ES v2.6.9-34.0.2.EL	IBM QLogic iSCSI Exp Card for BladeCenter (26K6487)4, 10, 11, 12, QLogic QLA4050-E-SP2, 3, 4, 5, 10, QLogic QLA4050C-E-SP2, 3, 4, 5, 10	LAN Only	Intel SSR212PPfi	N	
11	Red Hat RHEL [EM64T] 4.0: U2 AS/ES v2.6.9-22.EL, U2+ AS/ES v2.6.9-22.0.1.EL, U2+ AS/ES v2.6.9-22.0.2.EL, U3 AS/ES v2.6.9-34.EL, U3+ AS/ES v2.6.9-34.0.1.EL, U3+ AS/ES v2.6.9-34.0.2.EL	QLogic QLA4010-E-SP4, 5, 10, 14, 15, QLogic QLA4010C-E-SP5, 13, 14, 15, 16	LAN Only7	Intel SSR212PPfi	N	
12	Red Hat RHEL [EM64T] 4.0: U2 AS/ES v2.6.9-22.EL, U2+ AS/ES v2.6.9-22.0.1.EL, U2+ AS/ES v2.6.9-22.0.2.EL, U3 AS/ES v2.6.9-34.EL, U3+ AS/ES v2.6.9-34.0.1.EL, U3+ AS/ES v2.6.9-34.0.2.EL, U4 AS/ES v2.6.9-42.EL, U4+ AS/ES v2.6.9-42.0.2.EL	Generic NIC 10/10017, Generic NIC GbE17	LAN Only	Intel SSR212PPfi	N	See7, 8
13	Red Hat RHEL [EM64T] 4.0: U3 AS/ES v2.6.9-34.EL, U3+ AS/ES v2.6.9-34.0.1.EL, U3+ AS/ES v2.6.9-34.0.2.EL	QLogic QLA4050-E-SP2, 3, 4, 5, 25, QLogic QLA4050C-E-SP2, 3, 4, 5, 24	LAN Only	Intel SSR212PPfi	N	
14	Red Hat RHEL [EM64T] 4.0: U4 AS/ES v2.6.9-42.EL, U4+ AS/ES v2.6.9-42.0.2.EL	IBM QLogic iSCSI Exp Card for BladeCenter (26K6487)4, 11, 12, 18, 19, QLogic QLA4050-E-SP2, 3, 4, 5, 18, QLogic QLA4050C-E-SP2, 3, 4, 5, 18	LAN Only	Intel SSR212PPfi	N	
15	Red Hat RHEL [EM64T] 4.0: U4 AS/ES v2.6.9-42.EL, U4+ AS/ES v2.6.9-42.0.2.EL	QLogic QLA4010-E-SP4, 5, 14, 15, 18, QLogic QLA4010C-E-SP5, 14, 15, 16, 18	LAN Only7	Intel SSR212PPfi	N	

1. Driver Version 3.27 Available in the EMC-approved section of the QLogic website. <http://www.qlogic.com>
2. Firmware Version 2.00.00.38 Available in the EMC-approved section of the QLogic website. <http://www.qlogic.com>
3. BIOS 1.08 Available in the EMC-approved section of the QLogic website. <http://www.qlogic.com>
4. Requires SANsurfer for installation and configuration and is available for download from the EMC-approved section of the QLogic website at <http://www.qlogic.com>
5. QLogic iSCSI HBAs are supported in any server listed in the ESM Fibre Channel tables that list support for the QLA2340 HBAs with the same operating system version listed here.
6. Driver Version iSCSI Initiator 3.6.2 Driver is integrated into the kernel.
7. LAN support includes direct connect (layer 2), switched (layer 2), or routed (layer 3) networks.
8. The software initiator is part of the operating system and not an EMC software product. Please refer to the required release note "EMC Linux iSCSI Attach Release Notes", p/n 300-002-672, that can be found on EMC's Powerlink website in Support -> The Document Library -> Host Connectivity for the complete installation information.
9. The following NICs are not supported: 3COM-3C996B
10. Driver Version 5.00.04 Available in the EMC-approved section of the QLogic website. <http://www.qlogic.com>
11. BIOS 1.04 Available in the EMC-approved section of the QLogic website. <http://www.qlogic.com>
12. Requires QLogic firmware version 2.00.00.07 available from the EMC-approved section of the QLogic website at <http://www.qlogic.com>
13. Driver Version 5.00.04 Available in the EMC-approved section of the QLogic website. <http://www.qlogic.com> Requires SANsurfer for installation and configuration and is available for download from the EMC-approved section of the QLogic website at <http://www.qlogic.com>
14. Firmware Version 3.00.00.16
15. BIOS 1.11 Available in the EMC-approved section of the QLogic website. <http://www.qlogic.com>

16. Requires QLogic firmware version 3.00.00.4 available from the EMC-approved section of the QLogic website at <http://www.qlogic.com>
17. Driver Version iSCSI Software Initiator 4.0.1.11 Driver is integrated into the kernel.
18. Driver Version 5.00.07 Available in the EMC-approved section of the QLogic website. <http://www.qlogic.com>
19. Firmware Version 2.00.00.38
20. Driver Version iSCSI initiator 3.6.3 Driver is integrated into the kernel.
21. Firmware Version 2.00.00.07 Available in the EMC-approved section of the QLogic website. <http://www.qlogic.com>
22. Driver Version 3.23 Available in the EMC-approved section of the QLogic website. <http://www.qlogic.com>
23. Driver Version 3.22
24. Driver Version 5.00.04 Available in the EMC-approved section of the QLogic website. <http://www.qlogic.com> Driver is integrated into the kernel.
25. Driver Version 5.00.04 Driver is integrated into the kernel.
26. Driver Version 3.22 Available in the EMC-approved section of the QLogic website. <http://www.qlogic.com> Requires SANsurfer for installation and configuration and is available for download from the EMC-approved section of the QLogic website at <http://www.qlogic.com>
27. Driver Version 3.22 Available in the EMC-approved section of the QLogic website. <http://www.qlogic.com>

SuSE SLES [32-Bit]

SuSE SLES [32-Bit]						
No.	Operating System	Host Bus Adapter	Network Configuration	Storage Array	External Boot	Comments
1	SuSE SLES [32-Bit] 10	Generic NIC 10/10021, Generic NIC GbE22, 23	LAN Only	Intel SSR212PPfi	N	See3, 10
2	SuSE SLES [32-Bit] 10	IBM QLogic iSCSI Exp Card for BladeCenter (26K6487)8, 16, 17, 18	LAN Only	Intel SSR212PPfi	N	
3	SuSE SLES [32-Bit] 8 SP4+: v2.4.21-281, v2.4.21-286, v2.4.21-295, v2.4.21-304, v2.4.21-306, v2.4.21-309	Generic NIC 10/10011, Generic NIC GbE9, 11	LAN Only	Intel SSR212PPfi	N	See3, 10
4	SuSE SLES [32-Bit] 8: SP4 v2.4.21-278, SP4+ v2.4.21-281, SP4+ v2.4.21-286, SP4+ v2.4.21-295, SP4+ v2.4.21-304, SP4+ v2.4.21-306, SP4+ v2.4.21-309	QLogic QLA4010-E-SP2, 4, 6, 7, 8, QLogic QLA4010C-E-SP1, 2, 4, 5, 6	LAN Only3	Intel SSR212PPfi	N	
5	SuSE SLES [32-Bit] 9 SP2+: v2.6.5-7.201, v2.6.5-7.202.7	IBM QLogic iSCSI Exp Card for BladeCenter (26K6487)8, 18, 19, 24, QLogic QLA4050-E-SP4, 8, 12, 13, 19, QLogic QLA4050C-E-SP4, 8, 12, 13, 19	LAN Only	Intel SSR212PPfi	N	
6	SuSE SLES [32-Bit] 9 SP2+: v2.6.5-7.201, v2.6.5-7.202.7	QLogic QLA4010-E-SP2, 4, 6, 8, 19, QLogic QLA4010C-E-SP2, 4, 5, 6, 20	LAN Only3	Intel SSR212PPfi	N	
7	SuSE SLES [32-Bit] 9 SP2+: v2.6.5-7.201, v2.6.5-7.202.7; SuSE SLES [32-Bit] 9: SP3 v2.6.5-7.244, SP3+ v2.6.5-7.252, SP3+ v2.6.5-7.257, SP3+ v2.6.5-7.267, SP3+ v2.6.5-7.276, SP3+ v2.6.5-7.282	Generic NIC 10/10022, Generic NIC GbE22	LAN Only	Intel SSR212PPfi	N	See3, 10
8	SuSE SLES [32-Bit] 9: SP3 v2.6.5-7.244, SP3+ v2.6.5-7.252, SP3+ v2.6.5-7.257, SP3+ v2.6.5-7.267, SP3+ v2.6.5-7.276, SP3+ v2.6.5-7.282	IBM QLogic iSCSI Exp Card for BladeCenter (26K6487)8, 15, 16, 18, QLogic QLA4050-E-SP4, 8, 12, 13, 15, QLogic QLA4050C-E-SP4, 8, 12, 13, 14	LAN Only	Intel SSR212PPfi	N	
9	SuSE SLES [32-Bit] 9: SP3 v2.6.5-7.244, SP3+ v2.6.5-7.252, SP3+ v2.6.5-7.257, SP3+ v2.6.5-7.267, SP3+ v2.6.5-7.276, SP3+ v2.6.5-7.282	QLogic QLA4010-E-SP2, 4, 6, 8, 15, QLogic QLA4010C-E-SP2, 4, 6, 8, 15	LAN Only3	Intel SSR212PPfi	N	

1. Driver Version 3.22 Available in the EMC-approved section of the QLogic website. <http://www.qlogic.com> Requires SANsurfer for installation and configuration and is available for download from the EMC-approved section of the QLogic website at <http://www.qlogic.com>
2. Firmware Version 3.00.00.16
3. LAN support includes direct connect (layer 2), switched (layer 2), or routed (layer 3) networks.
4. QLogic iSCSI HBAs are supported in any server listed in the ESM Fibre Channel tables that list support for the QLA2340 HBAs with the same operating system version listed here.
5. Requires QLogic firmware version 3.00.00.4 available from the EMC-approved section of the QLogic website at <http://www.qlogic.com>
6. BIOS 1.11 Available in the EMC-approved section of the QLogic website. <http://www.qlogic.com>
7. Driver Version 3.22 Available in the EMC-approved section of the QLogic website. <http://www.qlogic.com>
8. Requires SANsurfer for installation and configuration and is available for download from the EMC-approved section of the QLogic website at <http://www.qlogic.com>
9. The following NICs are not supported: 3COM-3C996B

10. The software initiator is part of the operating system and not an EMC software product. Please refer to the required release note "EMC Linux iSCSI Attach Release Notes", p/n 300-002-672, that can be found on EMC's Powerlink website in Support -> The Document Library -> Host Connectivity for the complete installation information.
11. Driver Version iSCSI Initiator 3.6.2 Driver is integrated into the kernel.
12. BIOS 1.08 Available in the EMC-approved section of the QLogic website. <http://www.qlogic.com>
13. Firmware Version 2.00.00.38 Available in the EMC-approved section of the QLogic website. <http://www.qlogic.com>
14. Driver Version 5.00.04 Available in the EMC-approved section of the QLogic website. <http://www.qlogic.com> Driver is integrated into the kernel.
15. Driver Version 5.00.04 Driver is integrated into the kernel.
16. Firmware Version 2.00.00.07 Available in the EMC-approved section of the QLogic website. <http://www.qlogic.com>
17. Driver Version 5.00.04-d5 Driver is integrated into the kernel.
18. BIOS 1.04 Available in the EMC-approved section of the QLogic website. <http://www.qlogic.com>
19. Driver Version 5.00.04 Available in the EMC-approved section of the QLogic website. <http://www.qlogic.com>
20. Driver Version 5.00.04 Available in the EMC-approved section of the QLogic website. <http://www.qlogic.com> Requires SANsurfer for installation and configuration and is available for download from the EMC-approved section of the QLogic website at <http://www.qlogic.com>
21. Driver Version iSCSI Software Initiator 1.0-595 DS-M Connect ONLY interoperates with ControlCenter Host Agent, Symmetrix SDM Agent, Storage Agent for Symmetrix.
22. Driver Version iSCSI Software Initiator 4.0.188.18 Driver is integrated into the kernel.
23. Driver Version iSCSI Software Initiator 1.0-595 Driver is integrated into the kernel.
24. Requires QLogic firmware version 2.00.00.07 available from the EMC-approved section of the QLogic website at <http://www.qlogic.com>

SuSE SLES [EM64T]

SuSE SLES [EM64T]						
No.	Operating System	Host Bus Adapter	Network Configuration	Storage Array	External Boot	Comments
1	SuSE SLES [EM64T] 9 SP2+: v2.6.5-7.201, v2.6.5-7.202.7	IBM QLogic iSCSI Exp Card for BladeCenter (26K6487)1, 2, 3, 4, QLogic QLA4050-E-SP1, 4, 10, 11, 12, QLogic QLA4050C-E-SP1, 4, 10, 11, 12	LAN Only	Intel SSR212PPFi	N	
2	SuSE SLES [EM64T] 9 SP2+: v2.6.5-7.201, v2.6.5-7.202.7	QLogic QLA4010-E-SP1, 4, 10, 14, 15, QLogic QLA4010C-E-SP10, 14, 15, 16, 17	LAN Only7	Intel SSR212PPFi	N	
3	SuSE SLES [EM64T] 9 SP2+: v2.6.5-7.201, v2.6.5-7.202.7; SuSE SLES [EM64T] 9: SP3 v2.6.5-7.244, SP3+ v2.6.5-7.252, SP3+ v2.6.5-7.257, SP3+ v2.6.5-7.267, SP3+ v2.6.5-7.276, SP3+ v2.6.5-7.282	Generic NIC 10/1009, Generic NIC GbE9	LAN Only	Intel SSR212PPFi	N	See7, 8
4	SuSE SLES [EM64T] 9: SP3 v2.6.5-7.244, SP3+ v2.6.5-7.252, SP3+ v2.6.5-7.257, SP3+ v2.6.5-7.267, SP3+ v2.6.5-7.276, SP3+ v2.6.5-7.282	IBM QLogic iSCSI Exp Card for BladeCenter (26K6487)2, 4, 5, 6, QLogic QLA4050-E-SP4, 5, 10, 11, 12, QLogic QLA4050C-E-SP4, 10, 11, 12, 13	LAN Only	Intel SSR212PPFi	N	
5	SuSE SLES [EM64T] 9: SP3 v2.6.5-7.244, SP3+ v2.6.5-7.252, SP3+ v2.6.5-7.257, SP3+ v2.6.5-7.267, SP3+ v2.6.5-7.276, SP3+ v2.6.5-7.282	QLogic QLA4010-E-SP4, 5, 10, 14, 15, QLogic QLA4010C-E-SP4, 5, 10, 14, 15	LAN Only7	Intel SSR212PPFi	N	

1. Driver Version 5.00.04 Available in the EMC-approved section of the QLogic website. <http://www.qlogic.com>
2. BIOS 1.04 Available in the EMC-approved section of the QLogic website. <http://www.qlogic.com>
3. Requires QLogic firmware version 2.00.00.07 available from the EMC-approved section of the QLogic website at <http://www.qlogic.com>
4. Requires SANsurfer for installation and configuration and is available for download from the EMC-approved section of the QLogic website at <http://www.qlogic.com>
5. Driver Version 5.00.04 Driver is integrated into the kernel.
6. Firmware Version 2.00.00.07 Available in the EMC-approved section of the QLogic website. <http://www.qlogic.com>
7. LAN support includes direct connect (layer 2), switched (layer 2), or routed (layer 3) networks.
8. The software initiator is part of the operating system and not an EMC software product. Please refer to the required release note "EMC Linux iSCSI Attach Release Notes", p/n 300-002-672, that can be found on EMC's Powerlink website in Support -> The Document Library -> Host Connectivity for the complete installation information.
9. Driver Version iSCSI Software Initiator 4.0.188.18 Driver is integrated into the kernel.
10. QLogic iSCSI HBAs are supported in any server listed in the ESM Fibre Channel tables that list support for the QLA2340 HBAs with the same operating system version listed here.
11. Firmware Version 2.00.00.38 Available in the EMC-approved section of the QLogic website. <http://www.qlogic.com>
12. BIOS 1.08 Available in the EMC-approved section of the QLogic website. <http://www.qlogic.com>
13. Driver Version 5.00.04 Available in the EMC-approved section of the QLogic website. <http://www.qlogic.com> Driver is integrated into the kernel.
14. Firmware Version 3.00.00.16

- 15. BIOS 1.11 Available in the EMC-approved section of the QLogic website. <http://www.qlogic.com>
- 16. Driver Version 5.00.04 Available in the EMC-approved section of the QLogic website. <http://www.qlogic.com> Requires SANsurfer for installation and configuration and is available for download from the EMC-approved section of the QLogic website at <http://www.qlogic.com>
- 17. Requires QLogic firmware version 3.00.00.4 available from the EMC-approved section of the QLogic website at <http://www.qlogic.com>

SuSE SLES [IA64]

SuSE SLES [IA64]						
No.	Operating System	Host Bus Adapter	Network Configuration	Storage Array	External Boot	Comments
1	SuSE SLES [IA64] 9: SP1 v2.6.5-7.139, SP2+ v2.6.5-7.201, SP2+ v2.6.5-7.202.7, SP3 v2.6.5-7.244, SP3+ v2.6.5-7.252, SP3+ v2.6.5-7.257, SP3+ v2.6.5-7.267, SP3+ v2.6.5-7.276, SP3+ v2.6.5-7.282	Generic NIC 10/1003, Generic NIC GbE3	LAN Only	Intel SSR212PPfi	N	See1, 2

- 1. LAN support includes direct connect (layer 2), switched (layer 2), or routed (layer 3) networks.
- 2. The software initiator is part of the operating system and not an EMC software product. Please refer to the required release note "EMC Linux iSCSI Attach Release Notes", p/n 300-002-672, that can be found on EMC's Powerlink website in Support -> The Document Library -> Host Connectivity for the complete installation information.
- 3. Driver Version iSCSI Software Initiator 4.0.188.18 Driver is integrated into the kernel.

iSCSI Clusters

Microsoft Windows 2003 [x64]

This table describes the support statements for iSCSI Clusters.

Microsoft Windows 2003 [x64]						
No.	Operating System	Cluster Software	Host Bus Adapter	Storage Array	Max # Nodes	Comments
1	Microsoft Windows 2003 [x64] Enterprise: Edition, Edition R2	Microsoft MSCS1, 2	Generic NIC: 10/1006, GbE6	Intel SSR212PPfi 7	HA: 8	See3, 4, 5
2	Microsoft Windows 2003 [x64] Enterprise: Edition, Edition R2	Microsoft MSCS1, 2	QLogic: QLA4010-E-SP8, 9, QLA4010C-E-SP8, 9, QLA4050-E-SP, QLA4050C-E-SP8, 9, 11, 12, 13, 14, 15, 16, QLA4052C-E-SP8, 9, 11, 12, 13, 14, 15, 16	Intel SSR212PPfi 7	HA: 4	See4, 5, 10

- 1. Microsoft iSCSI Initiator required. Refer to Native iSCSI table for currently supported initiator version.
- 2. Booting from external storage for iSCSI clusters is not supported.
- 3. EMC provides troubleshooting and other technical notes for MSCS cluster solutions. Visit EMC Powerlink and download part number 300-003-012 for the MSCS Troubleshooting/Technical Notes documentation.
- 4. Microsoft Dynamic Disks are not supported.
- 5. iSCSI based cluster configurations require Microsoft QFE 824354. Please contact Microsoft Product Support Services for this QFE.
- 6. Any Microsoft supported server/NIC for the listed operating system revision is supported.
- 7. Maximum number of iSCSI initiators that can log into an iSCSI target port is 8
- 8. QLogic iSCSI HBAs require the Microsoft iSCSI Software Initiator 2.0 or 2.02 Service to be installed. The Service is required by Microsoft and is different from the full Microsoft iSCSI Software Initiator.
- 9. QLogic iSCSI HBAs are supported in any server listed in the ESM Fibre Channel tables that list support for the QLA2340 HBAs with the same operating system version listed here.
- 10. Booting from external array is supported for iSCSI clusters with QLA4010 iSCSI HBAs. Refer to Native iSCSI table for supported BIOS versions.
- 11. Configuration utility for QLogic iSCSI HBAs is QLogic SANsurfer available at <http://www.qlogic.com>
- 12. SPC-2 flag must be enabled for iSCSI Symmetrix configurations.
- 13. QLogic iSCSI HBAs require the Microsoft iSCSI Software Initiator 2.0 or 2.02 Service to be installed. The Service is required by Microsoft and is different from the full Microsoft iSCSI Software Initiator. Refer to the EMC Host Connectivity guide for additional information on Windows iSCSI components and the Microsoft iSCSI Software Initiator usage.
- 14. Microsoft Initiator software version 2.0 and later automatically forces IQN's to lower-case. This may require array-side host access reconfiguration.
- 15. QLA4010 iSCSI boards booting from external storage require "Spanning Tree" features to be disabled on network switches used in the boot path.

16. Clustered hosts may access shared Symmetrix LUNs via iSCSI or Fibre Channel (iSCSI on one node, Fibre Channel on another.)

Microsoft Windows 2003 [x86]

Microsoft Windows 2003 [x86]						
No.	Operating System	Cluster Software	Host Bus Adapter	Storage Array	Max # Nodes	Comments
1	Microsoft Windows 2003 [x86] Enterprise Edition	Microsoft MSCS1, 2	Generic NIC: 10/10015, GbE15	Intel SSR212PPfi 3	HA: 2	See4, 5, 16
2	Microsoft Windows 2003 [x86] Enterprise Edition: R2, SP1	Microsoft MSCS1, 2	Generic NIC: 10/10015, GbE15	Intel SSR212PPfi 3	HA: 8	See4, 5, 16
3	Microsoft Windows 2003 [x86] Enterprise: Edition, Edition R2, Edition SP1; Microsoft Windows 2003 [x86] Storage: Server, Server SP1	Microsoft MSCS1, 2	IBM QLogic iSCSI Exp Card for BladeCenter (26K6487)8, 11; QLogic: QLA4010-E-SP8, 12, QLA4010C-E-SP8, 12, QLA4050-E-SP, QLA4050C-E-SP7, 8, 9, 10, 11, 12, 13, 14, QLA4052C-E-SP7, 8, 9, 10, 11, 12, 13, 14	Intel SSR212PPfi 3	HA: 4	See4, 5, 6

1. Microsoft iSCSI Initiator required. Refer to Native iSCSI table for currently supported initiator version.
2. Booting from external storage for iSCSI clusters is not supported.
3. Maximum number of iSCSI initiators that can log into an iSCSI target port is 8
4. Microsoft Dynamic Disks are not supported.
5. iSCSI based cluster configurations require Microsoft QFE 824354. Please contact Microsoft Product Support Services for this QFE.
6. Booting from external array is supported for iSCSI clusters with QLA4010 iSCSI HBAs. Refer to Native iSCSI table for supported BIOS versions.
7. Configuration utility for QLogic iSCSI HBAs is QLogic SANsurfer available at <http://www.qlogic.com>
8. QLogic iSCSI HBAs require the Microsoft iSCSI Software Initiator 2.0 or 2.02 Service to be installed. The Service is required by Microsoft and is different from the full Microsoft iSCSI Software Initiator.
9. SPC-2 flag must be enabled for iSCSI Symmetrix configurations.
10. QLogic iSCSI HBAs require the Microsoft iSCSI Software Initiator 2.0 or 2.02 Service to be installed. The Service is required by Microsoft and is different from the full Microsoft iSCSI Software Initiator. Refer to the EMC Host Connectivity guide for additional information on Windows iSCSI components and the Microsoft iSCSI Software Initiator usage.
11. Microsoft Initiator software version 2.0 and later automatically forces IQN's to lower-case. This may require array-side host access reconfiguration.
12. QLogic iSCSI HBAs are supported in any server listed in the ESM Fibre Channel tables that list support for the QLA2340 HBAs with the same operating system version listed here.
13. QLA4010 iSCSI boards booting from external storage require "Spanning Tree" features to be disabled on network switches used in the boot path.
14. Clustered hosts may access shared Symmetrix LUNs via iSCSI or Fibre Channel (iSCSI on one node, Fibre Channel on another.)
15. Any Microsoft supported server/NIC for the listed operating system revision is supported.
16. EMC provides troubleshooting and other technical notes for MSCS cluster solutions. Visit EMC Powerlink and download part number 300-003-012 for the MSCS Troubleshooting/Technical Notes documentation.

Installation Diagrams

Fibre Channel User Installation Diagrams

Figure 1: A server with a single HBA connected to one port storage processor. Not highly available. Two single points of failure: HBA and SP. PowerPath in a Windows server tells you if that one path has failed.

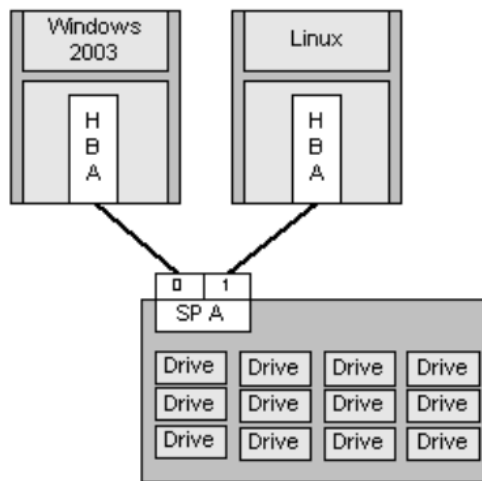
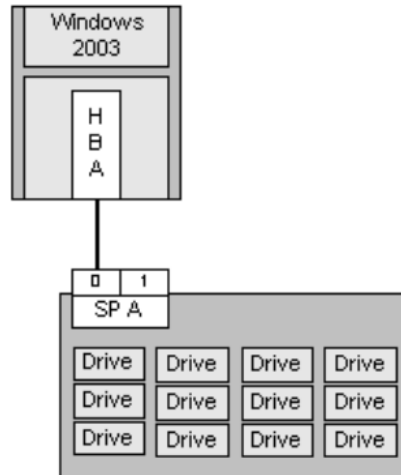


Figure 2: Two servers, each with a single HBA connected to the same SP through different ports. Two single points of failure for each server: HBA and SP. However, two servers have access to the array. PowerPath on each Windows server only tells you if that one path has failed. Servers can be clustered if they are running the same operating system.

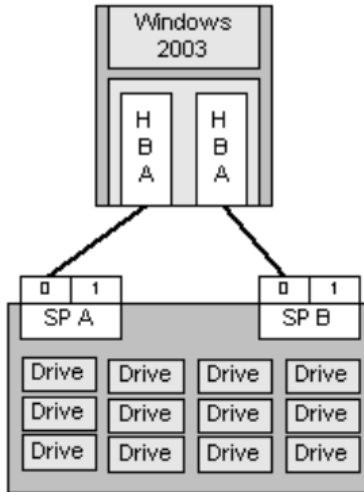


Figure 3: One server with two HBAs connected to a port on each SP. Highly available configuration with one path to each SP. With PowerPath on a server, it can reach any virtual disk if one SP fails or one HBA fails.

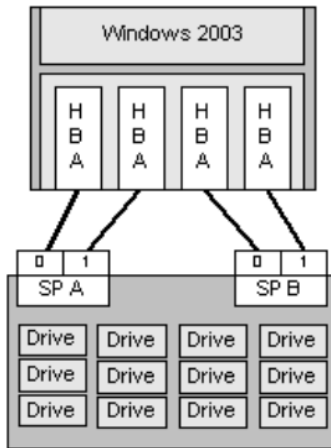


Figure 4: One server with four HBAs connected to an SP port on the two SPs. Highly available configuration with two paths to each SP (multipath). With PowerPath on a server, it can reach any virtual disk if one SP fails or up to three HBAs fail.

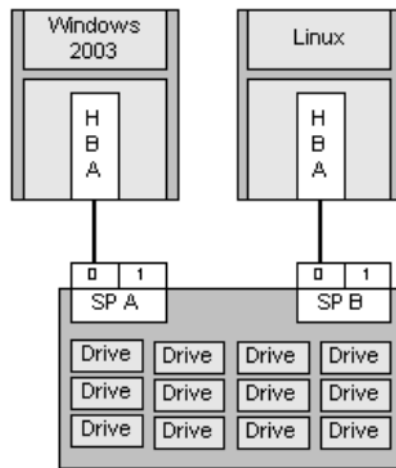


Figure 5: Two servers with one HBA on each connected to an SP port on the two SPs. Not highly available. PowerPath on a server tells you if the path has failed.

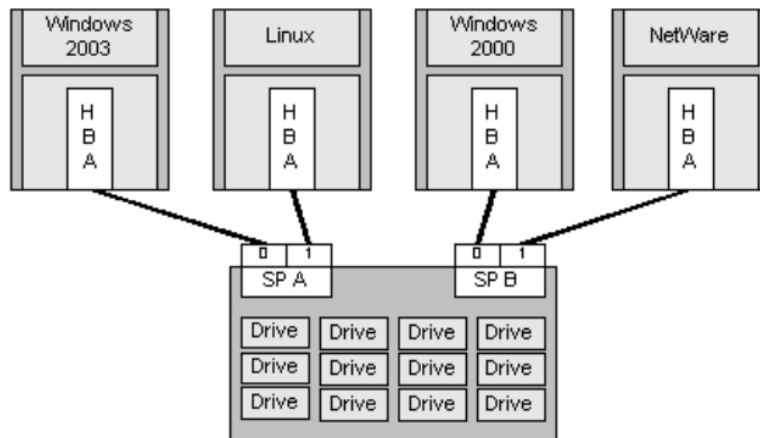


Figure 6: Four servers with one HBA on each connected to an SP port on the two SPs. Not highly available. Each server has only one path to a storage processor. PowerPath on a server tells you if one path has failed.

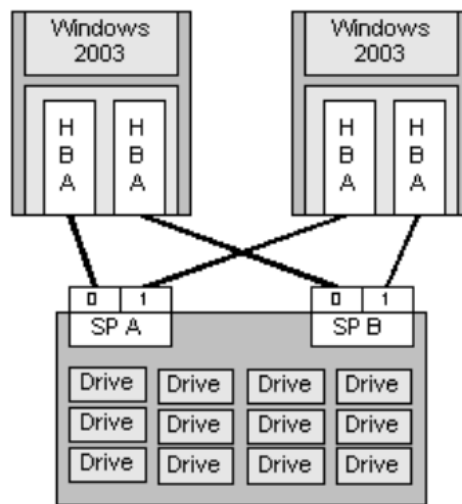


Figure 7: Two servers with two HBAs each connected to an SP port on the two SPs. Highly available configuration where each server has one path to each storage processor. With PowerPath on a server, the server can reach any virtual disk if one SP fails or one HBA fails. If the servers are running the same operating system, they can be clustered.

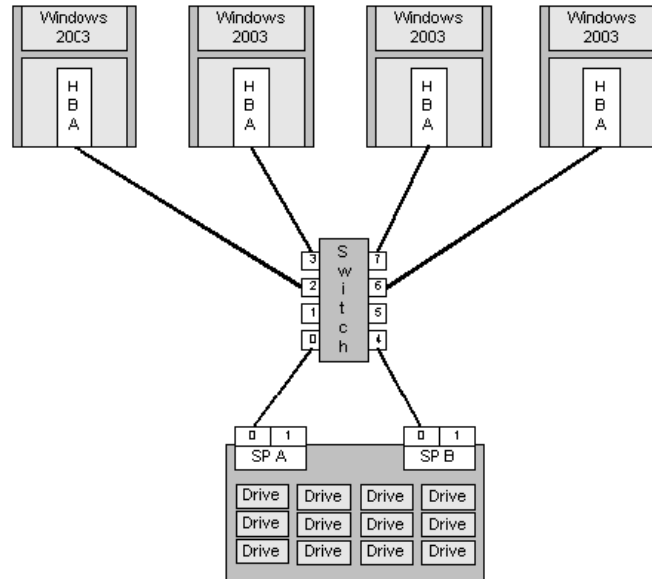


Figure 8: SAN with Brocade* 3250VL2E and with four servers, (supporting up to six), each with one HBA. Each server can reach a port on either SP (see switch zoning explanation below). The server cannot access the storage system if its HBA fails or if the switch port it connects to fails. With PowerPath on a server, the server can reach any virtual disk if one SP fails. If the servers are running the same operating system, they can be clustered.

Preconfigured zoning allows each HBA to reach both storage processors. This illustration shows the Brocade 3250VL2E, where ports 0 and 4 are for storage system ports only. All other switch ports are for HBAs only. Storage system ports connected to port 0 and port 4 can reach all HBAs connected to ports 1, 2, 3, 5, 6, and 7.

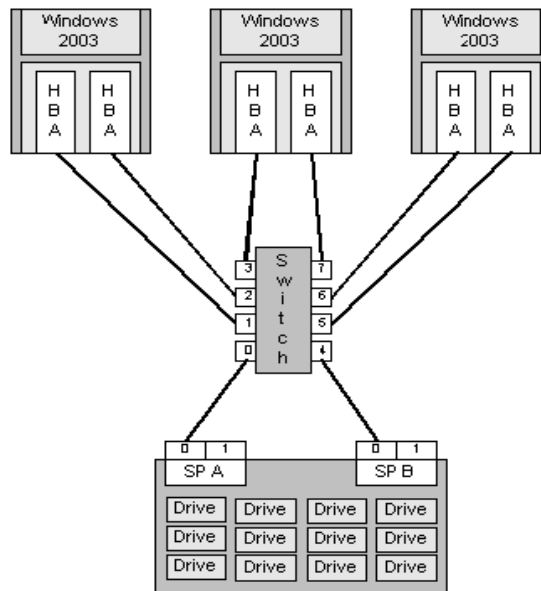


Figure 9: Three servers with two HBAs each can reach one SP port on both SPs. Highly available configuration where each server has one path to each storage processor SP (see switch zoning explanation below). With PowerPath on a server, the server can reach any virtual disk if one SP fails or one HBA fails. If the servers are running the same operating system, they can be clustered.

Preconfigured zoning allows each HBA to reach both storage processors. This illustration shows the Brocade VL2 E, where ports 0 and 4 are for the storage system ports only. All other switch ports are for HBAs only. Storage system ports connected to port 0 and port 4 can reach all HBAs connected to ports 1, 2, 3, 5, 6, and 7.

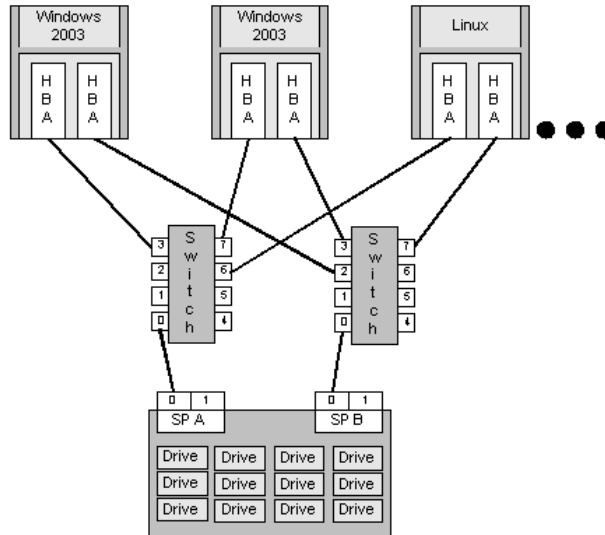


Figure 10: SAN with two Brocade 3250VL2E switches and three servers (and supporting up to six). With two HBAs per server, each can reach a port on each SP. Highly available configuration where each server has one path to each storage processor. With PowerPath on a server, the server can reach any virtual disk if one SP fails, or one HBA fails.

Note: You also can connect the remaining SP ports A1 and B1 to port 4 on each switch to create more high availability (each server will still be able to reach virtual disks if a switch fails, because both SPs are connected to alternate switches). Also, if a server with a single HBA is connected to one of the switches, it will have access to both SPs. If servers are running the same operating system, they can be clustered.

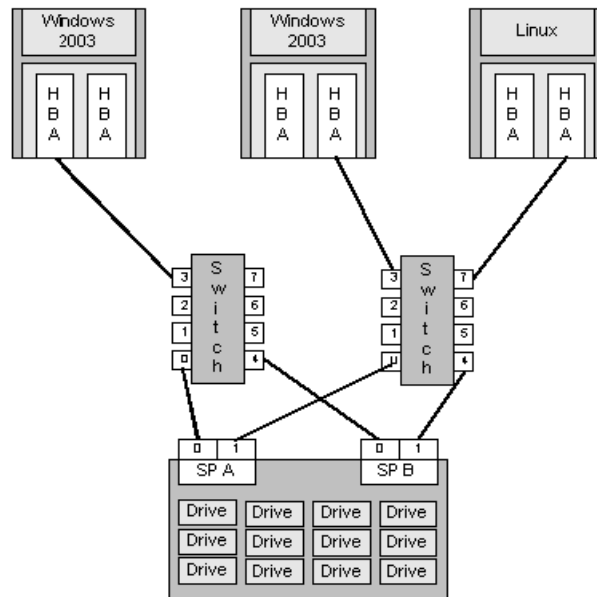


Figure 11: Three servers each with one HBA. Each server can reach an SP port on each SP (see switch zoning explanation below). With PowerPath on a server, the server can reach any virtual disk if one SP fails. While each server has one path to each storage processor, the server cannot access the storage system if its HBA fails or if the switch port to which it connects fails. This configuration allows you to connect the maximum 8 servers to an array. If the servers are running the same operating system, they can be clustered.

Preconfigured zoning allows each HBA to reach both storage processors. This illustration shows the Brocade VL2 E, where ports 0 and 4 are for the storage system ports only. All other switch ports are for HBAs only. Storage system ports connected to port 0 and port 4 can reach all HBAs connected to ports 1, 2, 3, 5, 6, and 7.

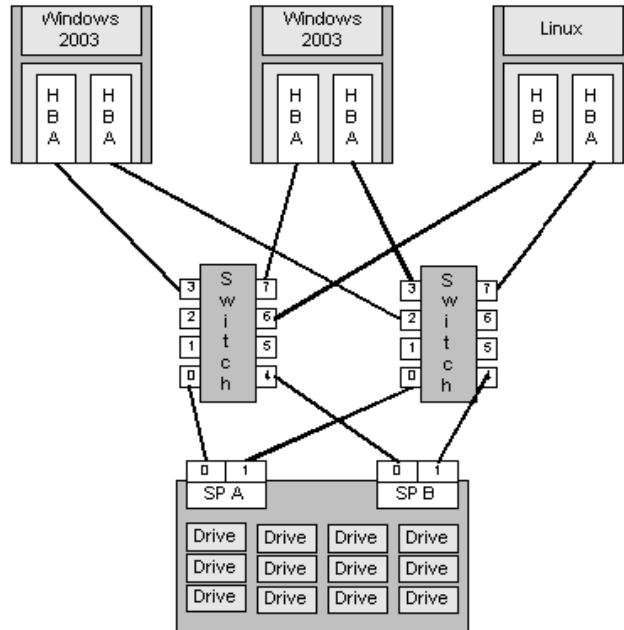


Figure 12: Three servers with two HBAs each can reach both SP ports on each SP. Highly available configuration, where each server has two paths to each storage processor. With PowerPath on a server, the server can reach any virtual disk if one SP fails, a port on the SP fails, or one HBA fails. In addition, with redundant switches, each server will still be able to reach virtual disks if a switch fails as both SPs are connected to alternate switches. If any servers are running the same operating system, they can be clustered.

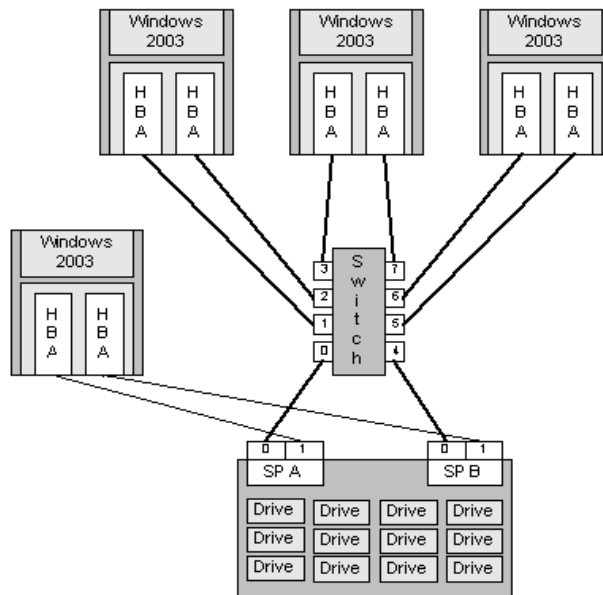


Figure 13: Three servers with two HBAs each can reach one SP port on both SPs. Highly available configuration where each server has one path to each storage system SP (see switch zoning explanation below). With PowerPath on a server, the server can reach any virtual disk if one SP fails or one HBA fails. An additional fourth server with two HBAs directly connected to each SP on the storage system. Because all available ports on the switch are occupied, this configuration allows maximum server utilization. If the servers are running the same operating system, they can be clustered.

Preconfigured zoning allows each HBA to reach both storage processors. This illustration shows the Brocade VL2 E, where ports 0 and 4 are for the storage system ports only. All other switch ports are for HBAs only. Storage system ports connected to port 0 and port 4 can reach all HBAs connected to ports 1, 2, 3, 5, 6, and 7.

Recommended Professional FC Installation Diagrams

It is recommended that the following configurations be installed by a professional storage system engineer.

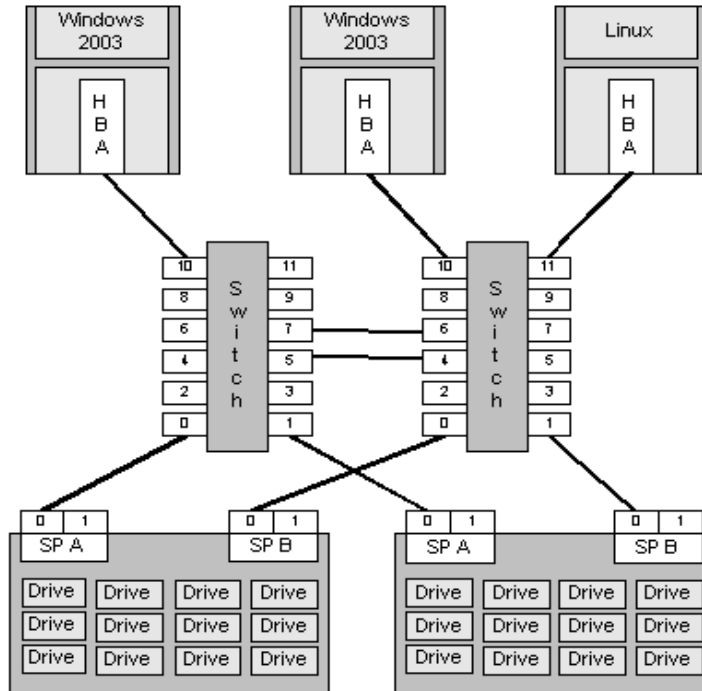


Figure 14: Three servers, each with one HBA. Each server can reach every SP port on each SP (see switch zoning explanation below), because of the inter-switch links on ports 6–7 and 5–4. With PowerPath on the server, the servers can reach any virtual disk if an SP fails. While each server has multiple paths to each storage processor through the inter-switch links, the server cannot access the storage system if its HBA fails or if the switch port to which it connects fails. This configuration allows you to connect the maximum 8 servers to an array. If the servers are running the same operating system, they can be clustered.

Preconfigured zoning allows each HBA to reach both storage processors. This illustration shows the Brocade VL2 E, where ports 0 and 4 are for the storage system ports only. All other switch ports are for HBAs only. Storage ports connected to port 0 and port 4 can reach all HBAs connected to ports 1, 2, 3, 5, 6, and 7.

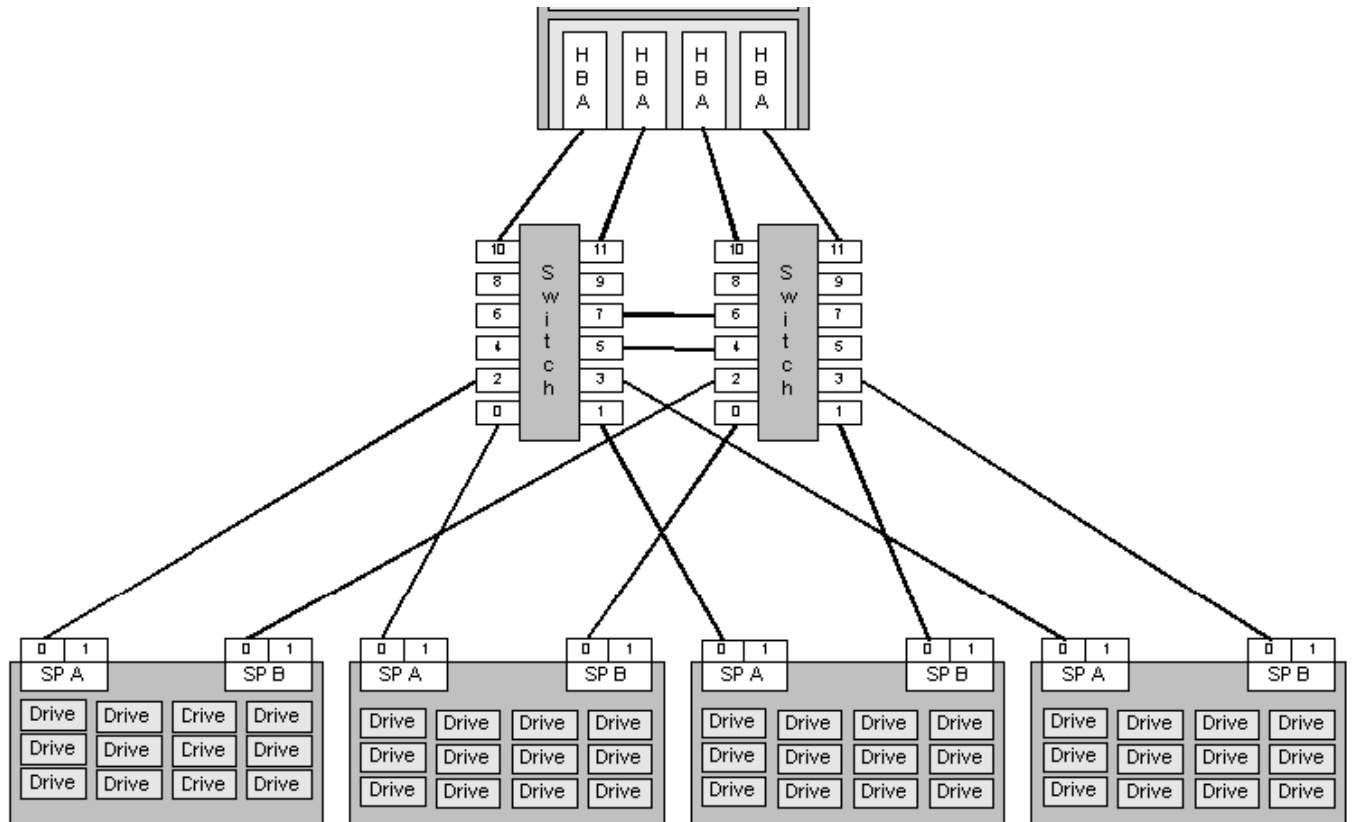


Figure 15: One server with four HBAs. The server can reach every SP port on each SP (see switch zoning explanation below) through more than 1 path, because of the inter-switch links on ports 7-6 and 5-4. With PowerPath on a server, the server can reach any virtual disk if a storage system SP fails or if fewer than four HBAs fail. If the servers are running the same operating system, they can be clustered.

Preconfigured zoning allows each HBA to reach both storage processors. This illustration shows the Brocade VL2 E, where ports 0 and 4 are for the storage system ports only. All other switch ports are for HBAs only. Storage ports connected to port 0 and port 4 can reach all HBAs connected to ports 1, 2, 3, 5, 6, and 7.

iSCSI Configuration Diagrams

Management ports are not shown on any diagrams. The recommendation is to have management port connection on a different subnet. DATA paths should be on dedicated iSCSI networks.

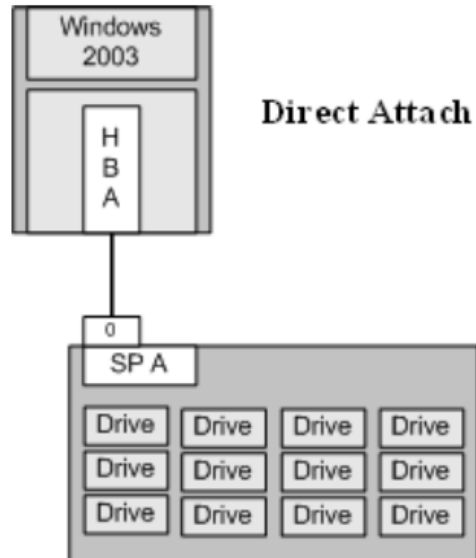


Figure 16: Direct Attach, Single NIC/HBA to one subnet. 1Gb HBA or NIC must be used for direct attach.

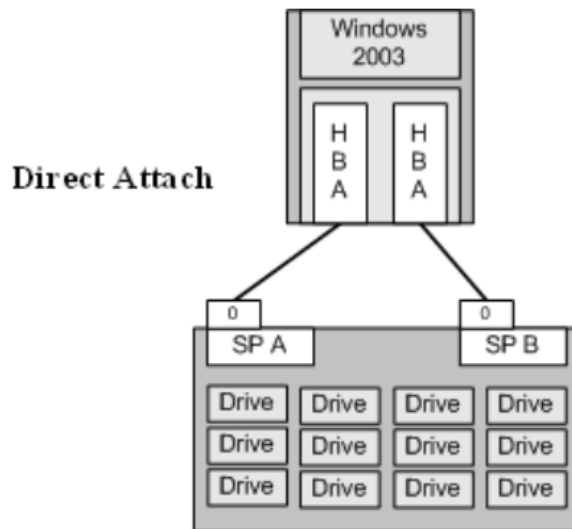


Figure 17: Direct Attach, Multiple NIC/HBA to one array. NICs or HBAs must be on different subnets for proper routing. A server cannot connect to the same array using a mix of NICs and HBAs.

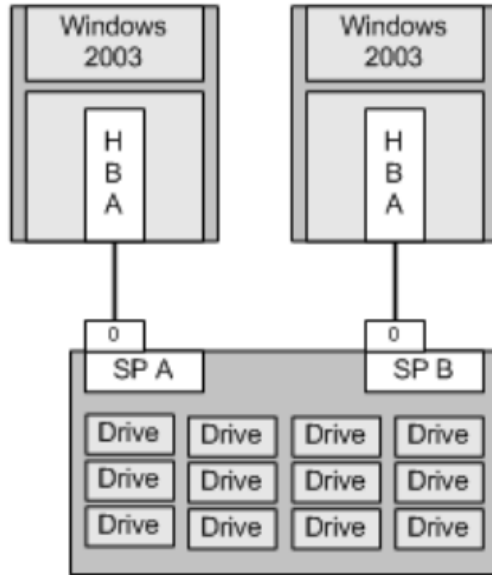


Figure 18: Multiple servers to single storage array. Operating systems do not have to be the same. 1Gb HBA or NIC must be used for direct attach. NICs and HBAs, even if in different servers, must be on different subnets for proper network routing.

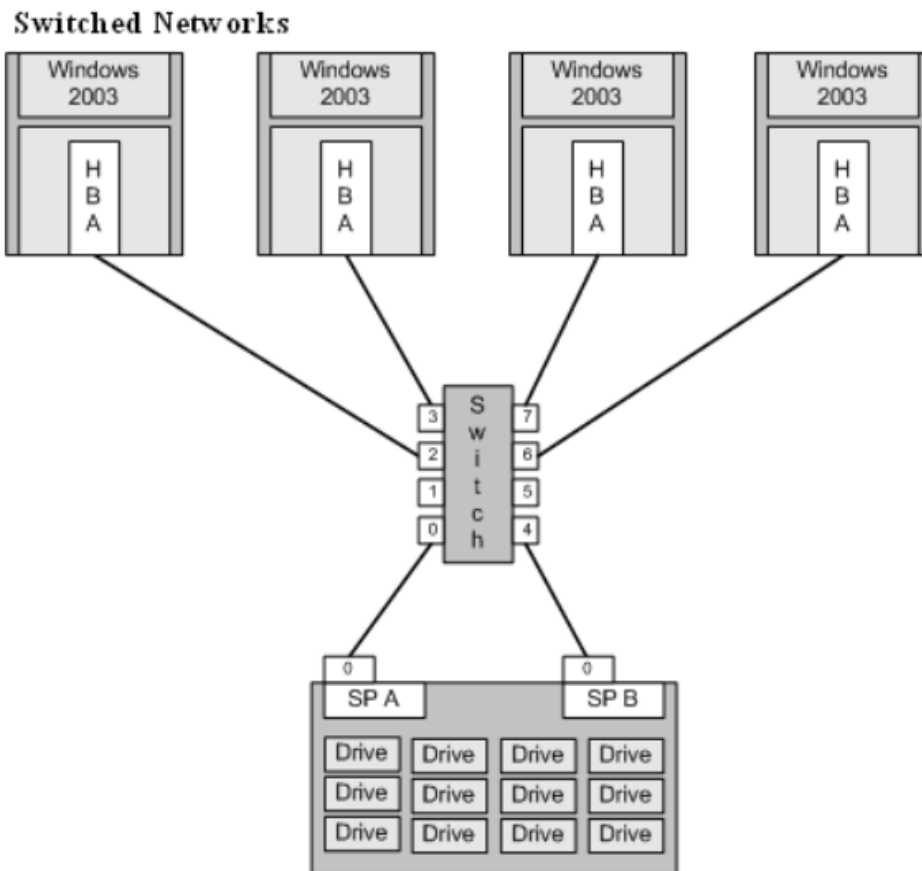


Figure 19: When a switch or router is present, either 10/100/1000 NIC or 1Gb HBA can be used in the server. Operating systems do not have to be the same.

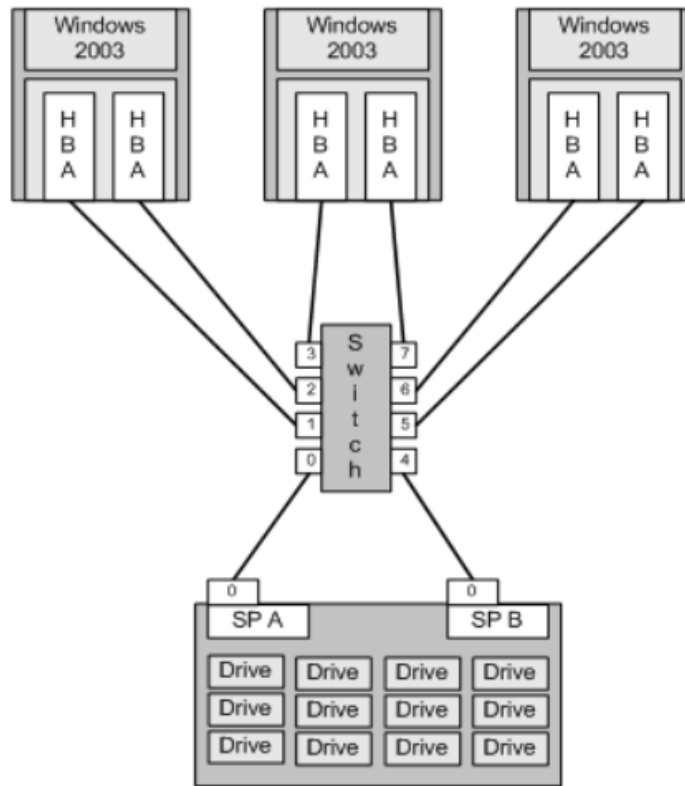


Figure 20: Dual HBAs or NICs. If multiple NICs are on the same subnet, the MS Advanced configuration setup must be utilized in order to take advantage of the additional NICs.

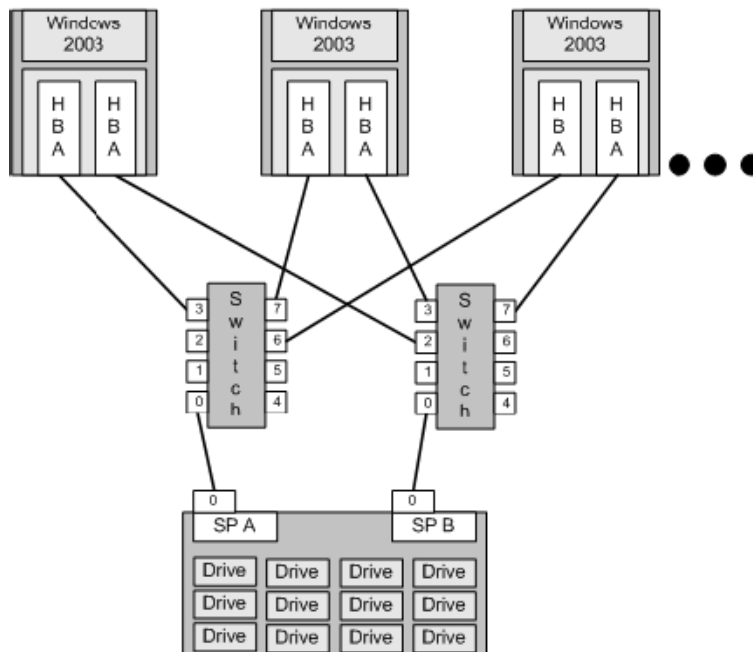


Figure 21: Two NICs or HBAs to separate routers/switched can be supported. However, if two NICs or HBAs are connected to separate switches or routers, they must be on different subnets. The switch/router must be capable of 1Gb connection.

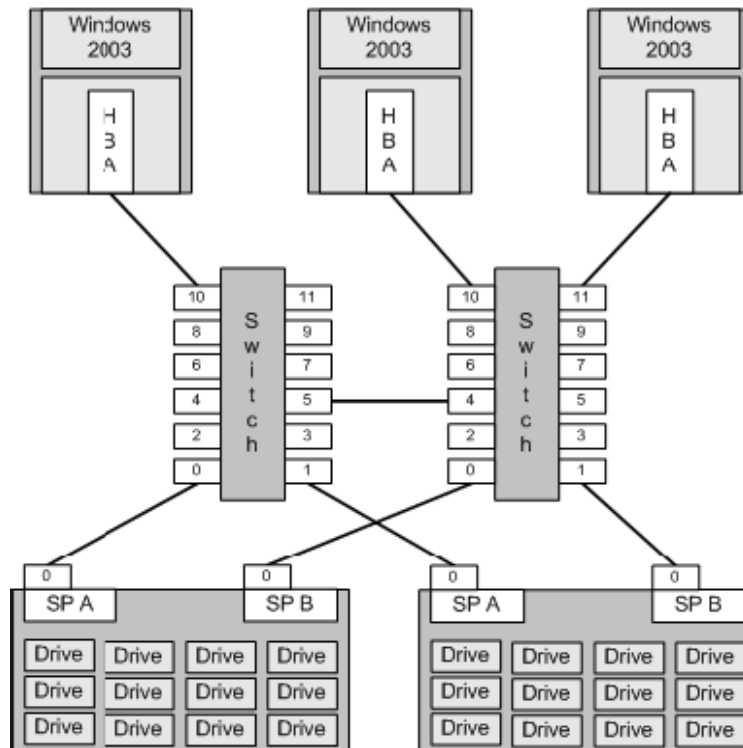


Figure 22: Single or multiple NICs/HBAs can be supported. A single NIC or HBA can be connected to up to 8 SP ports. The switch/router must be capable of 1Gb connection.

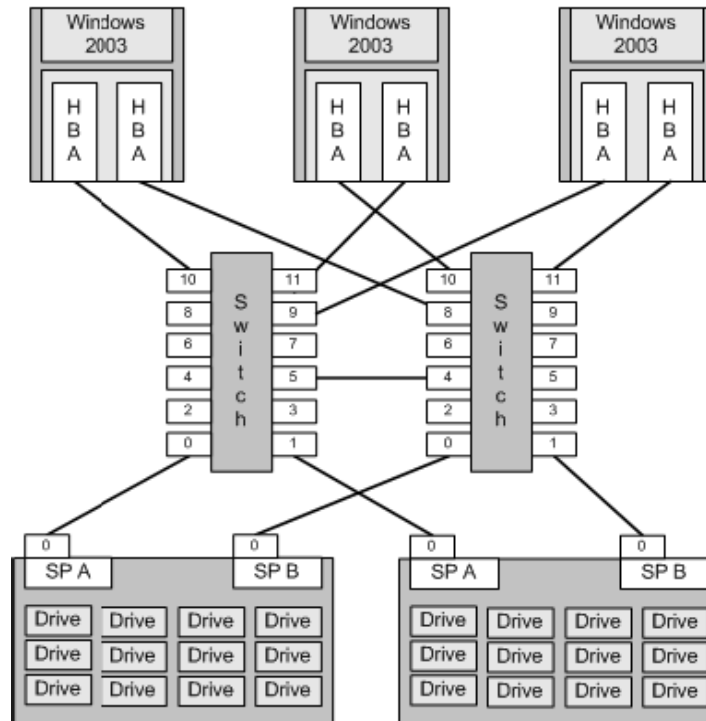


Figure 23: Single or multiple HBAs can be supported. Multiple HBAs from one server can be logged into all ports simultaneously. Router must be capable of 1Gb connection.

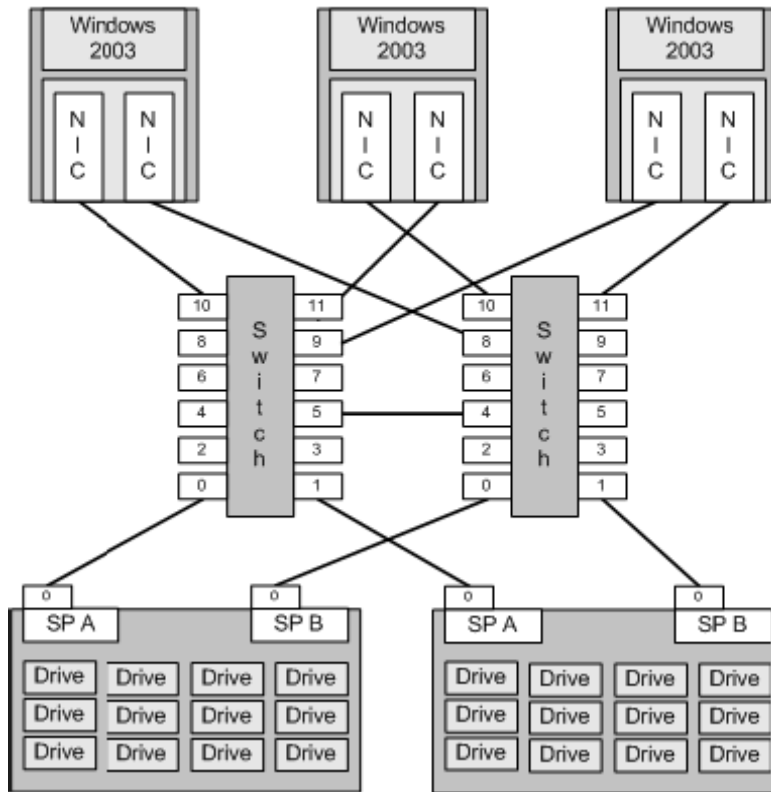


Figure 24: Single or multiple NICs can be supported. Multiple NICs from one server can log into all ports, but only 1 NIC per server can be logged into a port at any given time. Router must be capable of 1 Gb connection.