

# Power Supply Kit Install Guide: Intel® Entry Storage System SS4200-E

---

**A Guide for Technically Qualified Assemblers of Intel® Identified Subassemblies/  
Products**

Intel Order Number: E20703-003



## **Disclaimer**

Information in this document is provided in connection with Intel® products. No license, express or implied, by estoppel or otherwise, to any intellectual property rights is granted by this document. Except as provided in Intel's Terms and Conditions of Sale for such products, Intel assumes no liability whatsoever, and Intel disclaims any express or implied warranty, relating to sale and/or use of Intel® products including liability or warranties relating to fitness for a particular purpose, merchantability, or infringement of any patent, copyright or other intellectual property right. Intel products are not designed, intended or authorized for use in any medical, life saving, or life sustaining applications or for any other application in which the failure of the Intel product could create a situation where personal injury or death may occur. Intel may make changes to specifications and product descriptions at any time, without notice.

Intel® server boards contain a number of high-density VLSI and power delivery components that need adequate airflow for cooling. Intel's own chassis are designed and tested to meet the intended thermal requirements of these components when the fully integrated system is used together. It is the responsibility of the system integrator that chooses not to use Intel developed server building blocks to consult vendor datasheets and operating parameters to determine the amount of airflow required for their specific application and environmental conditions. Intel Corporation can not be held responsible if components fail or the server board does not operate correctly when used outside any of their published operating or non-operating limits.

Intel, Intel Pentium, and Intel Xeon are trademarks or registered trademarks of Intel Corporation or its subsidiaries in the United States and other countries.

\* Other names and brands may be claimed as the property of others.

Copyright © 2007-2008, Intel Corporation. All Rights Reserved

# Safety Information

---

## Important Safety Instructions

Read all caution and safety statements in this document before performing any of the instructions. See also Intel Server Boards and Server Chassis Safety Information on the *Intel® Server Deployment Toolkit CD* and/or at <http://support.intel.com/support/motherboards/server/sb/cs-010770.htm>.

## Wichtige Sicherheitshinweise

Lesen Sie zunächst sämtliche Warnung und Sicherheitshinweise in diesem Dokument, bevor Sie eine der Anweisungen ausführen. Beachten Sie hierzu auch die Sicherheitshinweise zu Intel-Serverplatinen und Servergehäusen auf der *Intel® Server Deployment Toolkit CD* oder unter <http://support.intel.com/support/motherboards/server/sb/cs-010770.htm>.

## Consignes de sécurité

Lisez attention toutes les consignes de sécurité et les mises en garde indiquées dans ce document avant de suivre toute instruction. Consultez Intel Server Boards and Server Chassis Safety Information sur le *Intel® Server Deployment Toolkit CD* ou bien rendez-vous sur le site <http://support.intel.com/support/motherboards/server/sb/cs-010770.htm>.

## Instrucciones de seguridad importantes

Lea todas las declaraciones de seguridad y precaución de este documento antes de realizar cualquiera de las instrucciones. Vea Intel Server Boards and Server Chassis Safety Information en el *Intel® Server Deployment Toolkit CD* y/o en <http://support.intel.com/support/motherboards/server/sb/cs-010770.htm>.

## 重要安全指导

在执行任何指令之前，请阅读本文件中的所有注意事项及安全声明。并参阅 <http://support.intel.com/support/motherboards/server/sb/CS-010770.htm> 上的 *Intel Server Boards and Server Chassis Safety Information*（《Intel 服务器主板与服务器机箱安全信息》）。

## Warnings

**Heed safety instructions:** Before working with your storage product, whether you are using this guide or any other resource as a reference, pay close attention to the safety instructions. You must adhere to the assembly instructions in this guide to ensure and maintain compliance with existing product certifications and approvals. Use only the described, regulated components specified in this guide. Use of other products / components will void the UL listing and other regulatory approvals of the product and will most likely result in noncompliance with product regulations in the region(s) in which the product is sold.

**System power on/off:** The power button DOES NOT turn off the system AC power. To remove power from system, you must unplug the AC power cord from the wall outlet. Make sure the AC power cord is unplugged before you open the chassis, add, or remove any components.

**Hazardous conditions, devices and cables:** Hazardous electrical conditions may be present on power, telephone, and communication cables. Turn off the server and disconnect the power cord, telecommunications systems, networks, and modems attached to the server before opening it. Otherwise, personal injury or equipment damage can result.

**Electrostatic discharge (ESD) and ESD protection:** ESD can damage disk drives, boards, and other parts. We recommend that you perform all procedures in this chapter only at an ESD workstation. If one is not available, provide some ESD protection by wearing an anti-static wrist strap attached to chassis ground (any unpainted metal surface) on your server when handling parts.

**ESD and handling boards:** Always handle boards carefully. They can be extremely sensitive to ESD. Hold boards only by their edges. After removing a board from its protective wrapper or from the server, place the board component side up on a grounded, static free surface. Use a conductive foam pad if available but not the board wrapper. Do not slide board over any surface.

**Installing or removing jumpers:** A jumper is a small plastic encased conductor that slips over two jumper pins. Some jumpers have a small tab on top that you can grip with your fingertips or with a pair of fine needle nosed pliers. If your jumpers do not have such a tab, take care when using needle nosed pliers to remove or install a jumper; grip the narrow sides of the jumper with the pliers, never the wide sides. Gripping the wide sides can damage the contacts inside the jumper, causing intermittent problems with the function controlled by that jumper. Take care to grip with, but not squeeze, the pliers or other tool you use to remove a jumper, or you may bend or break the pins on the board.

# Contents

---

<b>Safety Information</b> .....	<b>iii</b>
Important Safety Instructions .....	iii
Wichtige Sicherheitshinweise .....	iii
Consignes de sécurité .....	iii
Instrucciones de seguridad importantes .....	iii
Warnings.....	iv
<b>Power Supply Kit Install Guide</b> .....	<b>1</b>
Tools Needed .....	1
Kit Contents .....	1
Power Supply Kit Installation Instructions .....	1
Prepare System .....	2
Remove Faulty Power Supply .....	5
Install Replacement Power Supply .....	6
Complete Setup .....	9



# Power Supply Kit Install Guide

---

This install guide provides the specific steps required to replace a failed power supply in the Intel® Entry Storage System SS4200-E. The power supply should only be replaced if it has been properly diagnosed by trained service personnel as functioning improperly or not working at all.

## Tools Needed

- #1 or #2 Phillips\* screwdriver

## Kit Contents

### Power Supply Kit Installation Instructions

#### Power Supply Kit (FXSS4200EPSU)

Item	Quantity
Power Supply	1
Install Guide	1

**Caution:** Before performing any maintenance on the system, back up the data. Follow the instructions in the operating system manual or third-party software documentation for shutting down the system.

**Warning:** The enclosure cover should only be removed by qualified service personnel as it provides access to a service area. Potential hazards include:

- Energy hazard
- Rotating fans
- Hot surfaces
- Access to power supply unit openings

**Warning:** Do not remove covers from power supply. Danger of electric shock exists inside. Return the power supply to your supplier for repair.

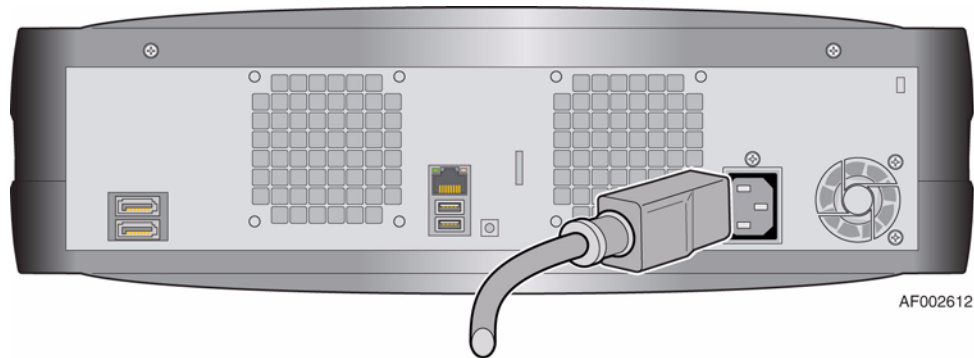
**Warning:** Upon completion of power supply replacement, the enclosure cover **MUST** be properly re-installed to ensure adequate cooling of the system.

## Prepare System

1. Read all caution and safety statements and observe all ESD precautions listed in this document before performing any of the steps. See the *Intel® Server Boards and Server Chassis Safety Information* document at <http://support.intel.com/support/motherboards/server/sb/cs-010770.htm> for a complete listing of all caution and safety statements.

**Caution:** Before performing any maintenance on the system, back up the data.

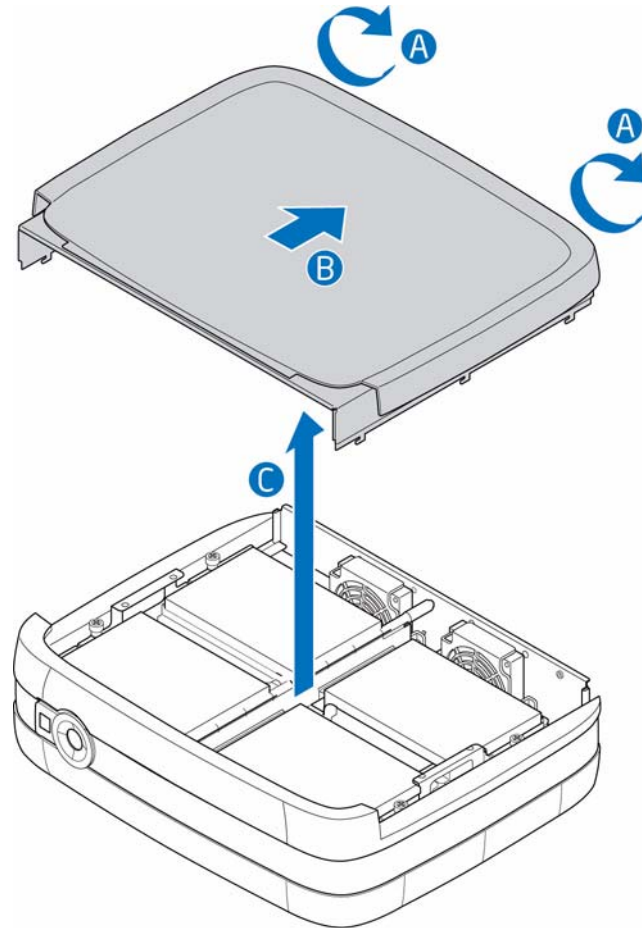
2. Check new power supply for damage. If any damage exists, return the power supply to your vendor for replacement.
3. Turn off all peripheral devices connected to the storage system. Power down the system.
4. Disconnect the AC power cord.



**Figure 1. Disconnecting Power Cord**



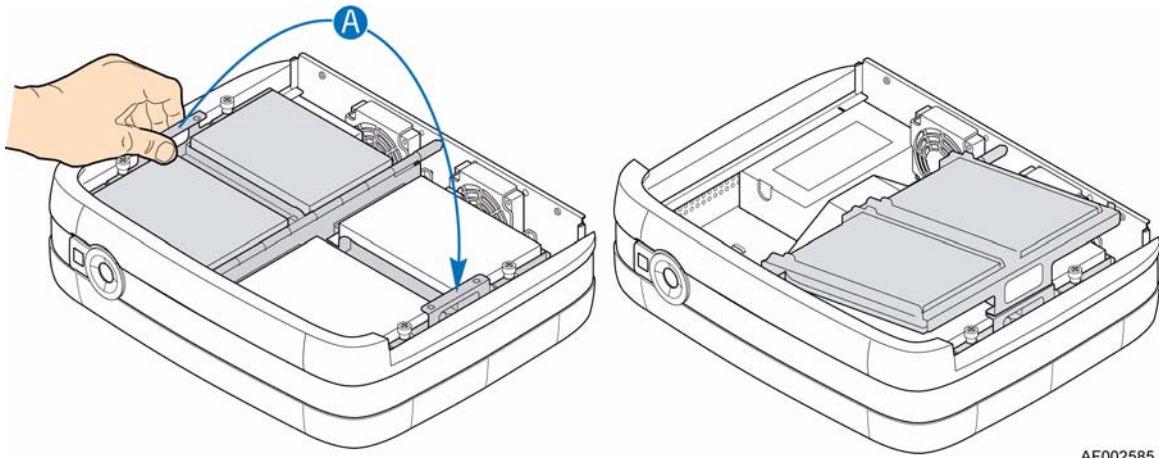
5. Release the enclosure cover by loosening the two captive screws at the rear of the system (see letter “A” in the following figure). Slide the enclosure cover to the rear (see letter “B”) and then lift to remove from the system (see letter “C”).



AF002583

**Figure 2. Removing Enclosure Cover**

6. Lift the left side of the drive tray assembly (see letter “A” in the following figure).



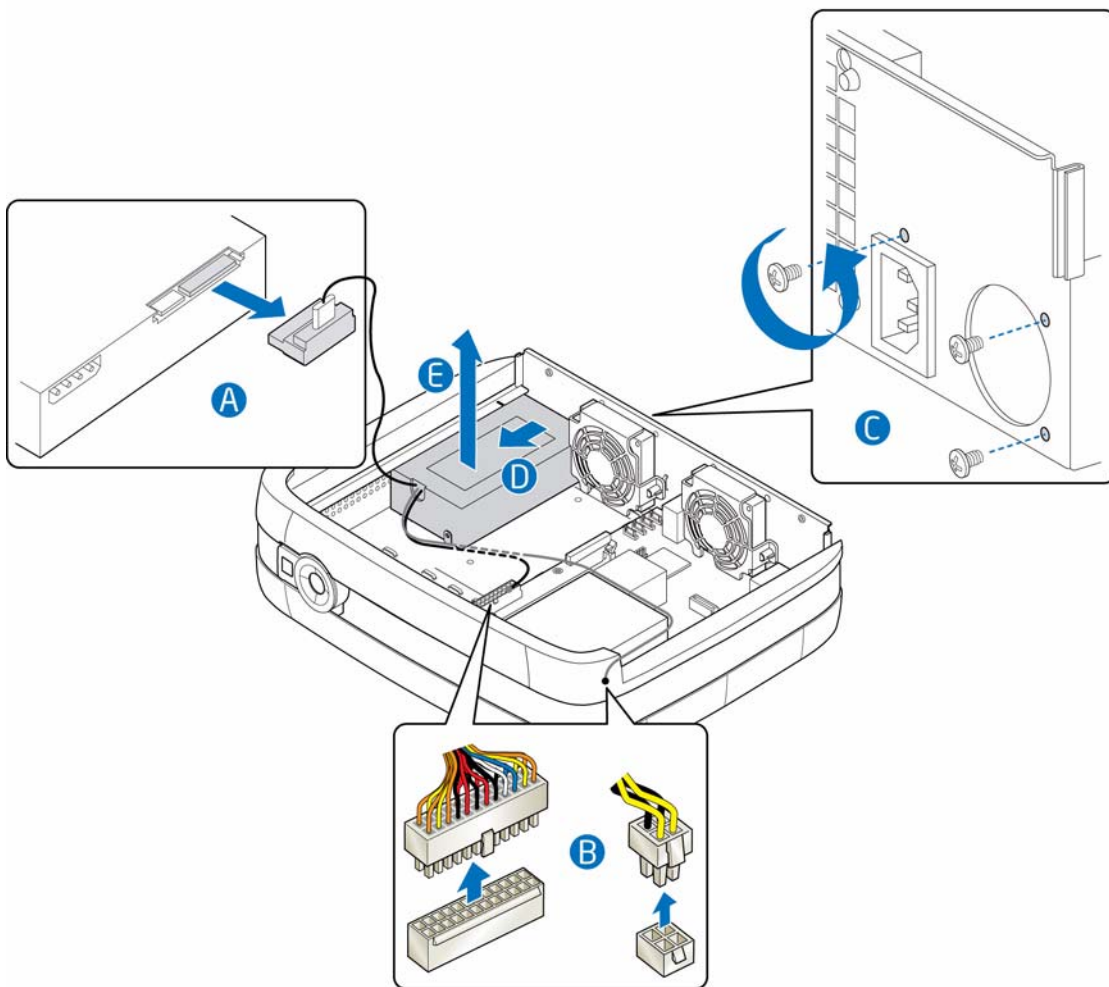
AF002585

**Figure 3. Lifting Left Side of Drive Tray Assembly**

## Remove Faulty Power Supply

7. Disconnect the power cables to all installed hard drives (see letter “A” in the following figure). Disconnect the power cables to the main power and CPU power connectors (see letter “B”). Remove the three screws at the rear of the chassis securing the power supply to the system (see letter “C”). Slide the power supply forward (see letter “D”) and then lift upward to remove from system (see letter “E”).

**Note:** You may need to remove cable ties securing power cables to the middle of the drive tray assembly.



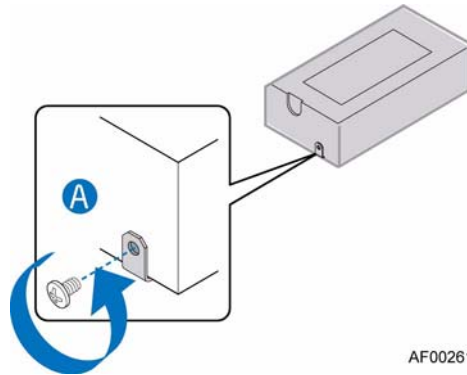
AF002588

**Note:** Drive tray assembly has been removed for illustrative purposes.

**Figure 4. Removing Faulty Power Supply**

## Install Replacement Power Supply

8. Remove retention tab from faulty power supply (see letter “A” in the following figure).

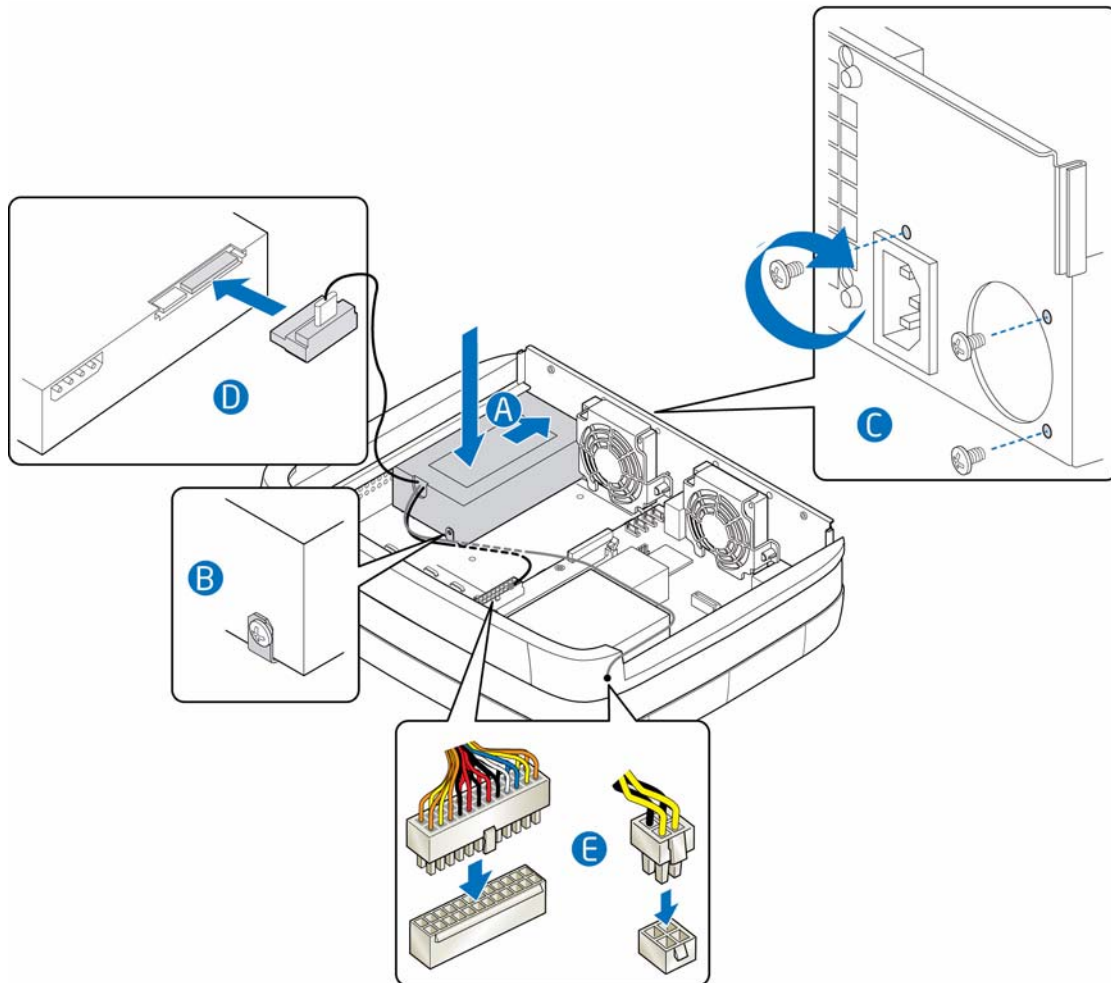


**Figure 5. Removing Retention Tab from Faulty Power Supply**

9. Install retention tab on new power supply.

10. Position new power supply in system (see letter “A” in the following figure). Ensure that retention tab slides into slot in chassis (see letter “B”). Secure the new power supply to the system with the three screws previously removed (see letter “C”). Connect power cables to each of the installed hard drives (see letter “D”). Connect power cables to the main power and CPU power connectors on system board (see letter “E”).

**Note:** Holes are located in the lower portion of the drive tray assembly for securing cable ties.

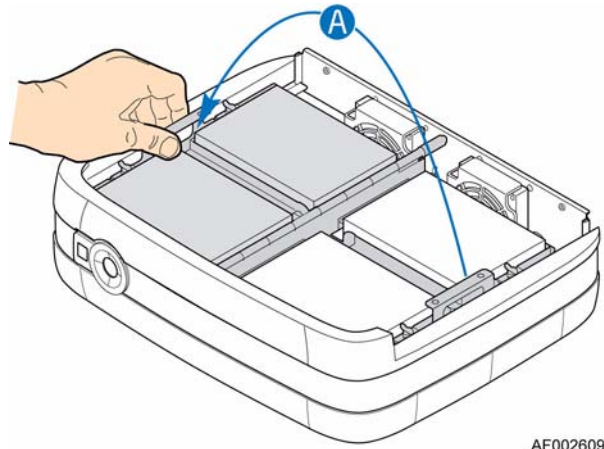


AF002614

**Note:** Drive tray assembly removed for illustrative purposes.

**Figure 6. Installing New Power Supply**

11. Return the left side of the drive tray assembly to its operational position (see letter “A” in the following figure).

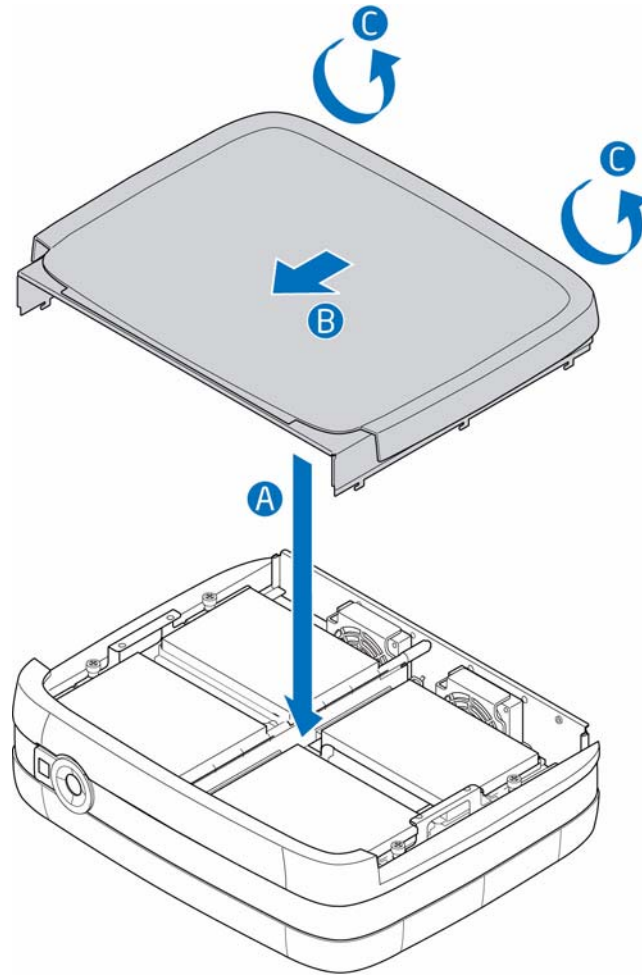


AF002609

**Figure 7. Lowering Left Side of Drive Tray Assembly**

## Complete Setup

12. Re-install the enclosure cover. Align the enclosure cover over the sides of the system (see letter “A” in the following figure). Slide the enclosure cover toward the front of the system (see letter “B”). Secure the enclosure cover to the system by tightening the captive screws at the rear of the system (see letter “C”).



AF002584

**Figure 8. Re-installing Enclosure Cover**

13. Re-connect all peripheral devices and the AC power cord.
14. Power up the storage system.

