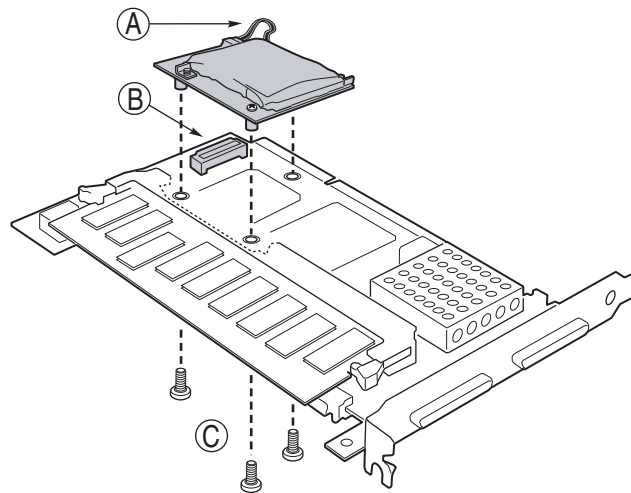


Battery Backup Unit Installation Instructions

1. If your RAID adapter is installed in a system, remove it and place it on a non-conductive, antistatic surface.
2. Remove the Battery Backup Unit (BBU) from its packaging.
3. Connect the wire from the battery to the circuit board (A).
4. Position the BBU over the RAID adapter so the connectors line up (B). Press the BBU onto the adapter.
5. Turn the adapter over.
6. Using three screws (C), secure the BBU to the RAID adapter.
7. Install the RAID adapter into your system.



TP00454

Information in this document is provided in connection with Intel® products. No license, express or implied, by estoppel or otherwise, to any intellectual property rights is granted by this document. Except as provided in Intel's Terms and Conditions of Sale for such products, Intel assumes no liability whatsoever, and Intel disclaims any express or implied warranty, relating to sale and/or use of Intel products including liability or warranties relating to fitness for a particular purpose, merchantability, or infringement of any patent, copyright or other intellectual property right. Intel products are not intended for use in medical, life saving, or life sustaining applications.

Intel may make changes to specifications and product descriptions at any time, without notice.

Intel is a registered trademark of Intel Corporation or its subsidiaries in the United States and other countries.

