



Intel® Server Platforms SR4850HW4 and SR4850HW4/M Power Cord Enabling Specification

Revision 1.2

August 2006

Enterprise Platforms and Services Division - Marketing

Revision History

Date	Revision Number	Modifications
April 2005	1.0	Initial release.
January 2006	1.1	Updated document format, minor corrections to the text.
August 2006	1.2	Add the SR4850HW4/M server.

Disclaimers

Information in this document is provided in connection with Intel® products. No license, express or implied, by estoppel or otherwise, to any intellectual property rights is granted by this document. Except as provided in Intel's Terms and Conditions of Sale for such products, Intel assumes no liability whatsoever, and Intel disclaims any express or implied warranty, relating to sale and/or use of Intel products including liability or warranties relating to fitness for a particular purpose, merchantability, or infringement of any patent, copyright or other intellectual property right. Intel products are not intended for use in medical, life saving, or life sustaining applications. Intel may make changes to specifications and product descriptions at any time, without notice.

Designers must not rely on the absence or characteristics of any features or instructions marked "reserved" or "undefined." Intel reserves these for future definition and shall have no responsibility whatsoever for conflicts or incompatibilities arising from future changes to them.

The Intel® Server Platforms SR4850HW4 and SR4850HW4/M Power Cord Enabling Specification may contain design defects or errors known as errata which may cause the product to deviate from published specifications. Current characterized errata are available on request.

Intel and Xeon are trademarks or registered trademarks of Intel Corporation or its subsidiaries in the United States and other countries.

Copyright © Intel Corporation 2006.

*Other names and brands may be claimed as the property of others.

Table of Contents

1. Overview	1
2. Power Cord Specifications	1
3. 1470 Watt Power Supply Cordsets	1
3.1 How to Purchase	1
3.2 1470 Watt Power Supply Specifications	1
3.3 Cord and Service	2
3.3.1 North American Power Supply Cordsets	2
3.3.2 European Power Supply Cordsets	3
3.3.3 Chinese Power Supply Cordsets	4
3.3.4 United Kingdom Power Supply Cordsets	5

List of Tables

Table 1. Interpower* Corporation North American Cordset	2
Table 2. Quail Electronics* North American Cordset	3
Table 3. Interpower Corporation Continental Europe Cordset	3
Table 4. Quail Electronics Continental Europe Cordset	4
Table 5. Interpower Corporation Chinese Cordset	4
Table 6. Quail Electronics Chinese Cordset	5
Table 7. Interpower Corporation United Kingdom Cordset	5
Table 8. Quail Electronics United Kingdom Cordset	6

< This page intentionally left blank. >

1. Overview

This document is provided to assist Intel's customers with the procurement of power cords for the Intel® Server Platforms SR4850HW4 and SR4850HW4/M.

The following information is available for each power cord by geographical region: a general description of the component and its function, current part numbers and revision levels, and vendor contact information.

2. Power Cord Specifications

The Intel® Server Platforms SR4850HW4 and SR4850HW4/M do not include power cordsets for the two 1470 Watt power supplies. This is due to the unique requirements and the differing AC services in the various regions where the system may be shipped.

The maximum input/output power expectations of the Intel® Server Platforms SR4850HW4 and SR4850HW4/M are:

System power input	78% efficiency at 170 VAC
System power output	2940 W

Cordsets are not interchangeable between the Intel® Server Platforms SR4850HW4 / SR4850HW4/M and Intel® Server Platforms SR6850HW4 / SR6850HW4/M. This is due to the differences in the power supply AC inlet connectors between the platforms. The 1470 Watt power supply has an IEC320 C14 AC input connector (mates with C13 cord plug).

3. 1470 Watt Power Supply Cordsets

3.1 How to Purchase

Please refer to the vendor information below to aid in sourcing a suitable power cordset from suppliers. These selections are assembled cordsets, not raw parts. Check power source outlets in order to determine if the selection is suitable. All selections should be further verified for the safety requirements of each application by a certified safety and regulatory professional.

3.2 1470 Watt Power Supply Specifications

The maximum input/output power expectations of the 1470 Watt power supply are:

Nominal Input Voltage	220-240 VAC
Minimal Input Voltage	170 VAC
Maximum Input Voltage	264 VAC
Maximum Input Current	10A at 180 VAC
AC Inlet connector	IEC320 C14 (rated for 15A,

250VAC)

3.3 Cord and Service

The following criteria should be used for the wire cord and AC service selection for installation of the Intel® Server Platforms SR4850HW4 and SR4850HW4/M. The selections should be further verified for the safety requirements of each application, by a certified safety and regulatory professional.

- In North America, the cord must be UL Listed/CSA Certified, 16/3, type SJT/SO, with NEMA 6-15P or equivalent attachment plug and IEC 320 C13 plug outlet.
- Outside of North America, the cord must be flexible VDE certified or HAR rated 250V, 3 x 1mm minimum conductor size with IEC 320 C13 outlet, and rated for no less than the product ratings. The AC wall attachment plug shall be a three conductor grounding type, rated at 125% of the total input current rating and must be for the configuration of the specific region or country. The AC wall attachment plug must bear at least an accepted safety agency certification mark for the specific region or country.
- The cord must be no longer than 4.5 meters (14.76 feet).
- Do not attempt to modify or use an AC power cord that is not the exact type required.

3.3.1 North American Power Supply Cordsets

Table 1. Interpower* Corporation North American Cordset




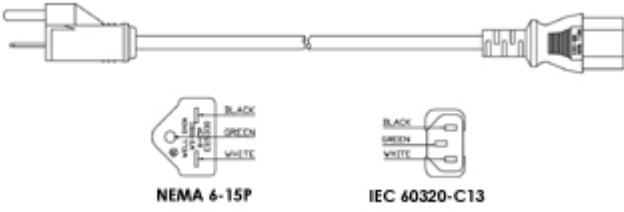
Part Number	86610100
Contact Telephone Number	1-800-662-2290
Vendor Website	http://www.interpower.com/
Equipment End	IEC 60320 C13
Supply End	NEMA6-15P
Current Rating	10A
Voltage Rating	250VAC
Length	2.4 meters
	
	

Table 2. Quail Electronics* North American Cordset

Part Number	1691.072, 1591.096, 1691.120
Contact Telephone Number	1-925-373-6700
Vendor Website	http://www.quail.com/
Equipment End	IEC 60320 C13
Supply End	NEMA6-15P
Current Rating	15A
Voltage Rating	250VAC
Length	6, 8, and 10' respectively

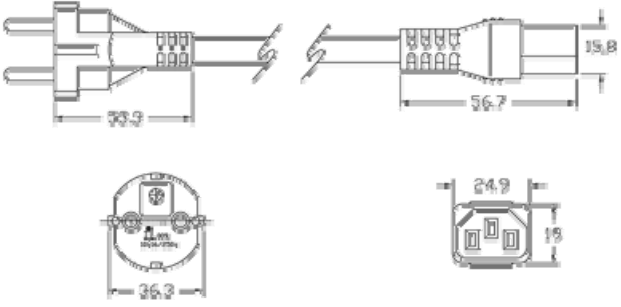


NEMA 6-15P
IEC 60320-C13

3.3.2 European Power Supply Cordsets

Table 3. Interpower Corporation Continental Europe Cordset

Part Number	86231530
Contact Telephone Number	44 (0) 1908 327700
Vendor Website	http://www.interpower.com/
Equipment End	IEC 60320 C13
Supply End	CEE 7/7
Current Rating	10A
Voltage Rating	250VAC
Length	3.5 meters



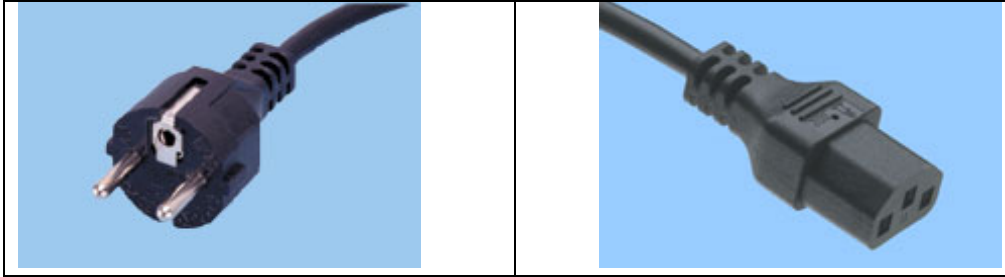


Table 4. Quail Electronics Continental Europe Cordset

Part Number	8500.098
Contact Telephone Number	011-1-800-669-8090
Vendor Website	http://www.quail.com/
Equipment End	IEC 60320 C13
Supply End	CEE 7/7 (Schuko)
Current Rating	10A
Voltage Rating	250VAC
Length	2.5 meters

CEE 7/7 European Plug "Schuko" IEC 60320-C13

3.3.3 Chinese Power Supply Cordsets

Table 5. Interpower Corporation Chinese Cordset

Part Number	86517040
Contact Telephone Number	44 (0) 1908 327700
Vendor Website	http://www.interpower.com/
Equipment End	IEC 60320 C13
Supply End	GB 2099-1-1996
Current Rating	10A
Voltage Rating	250VAC
Length	2.5 meters

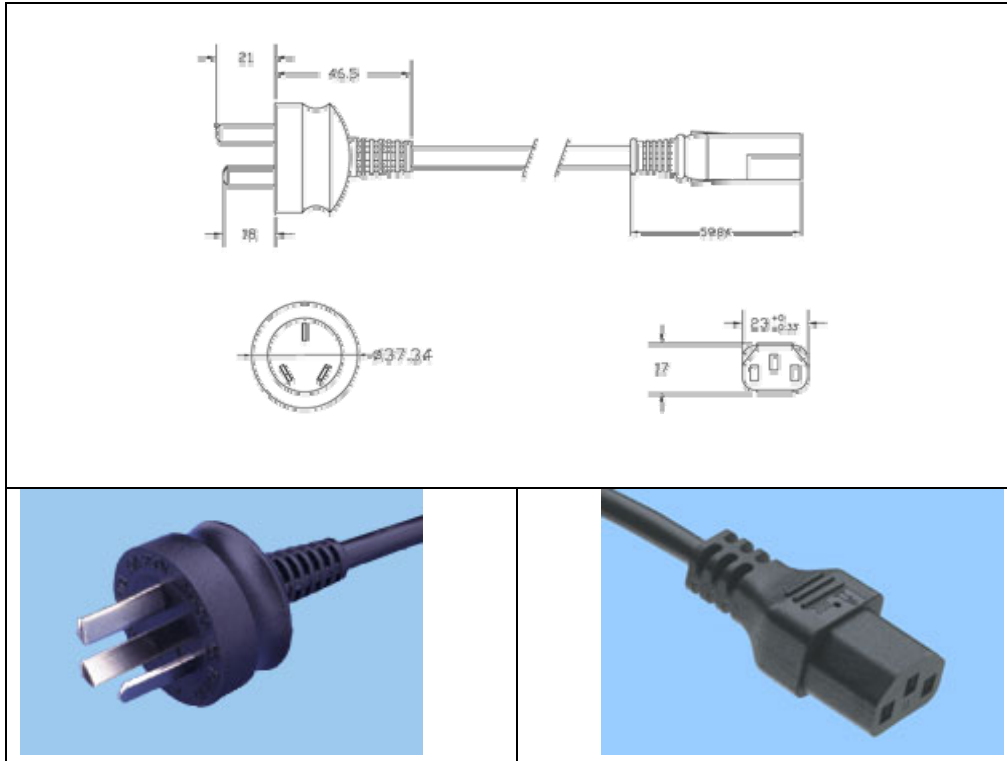
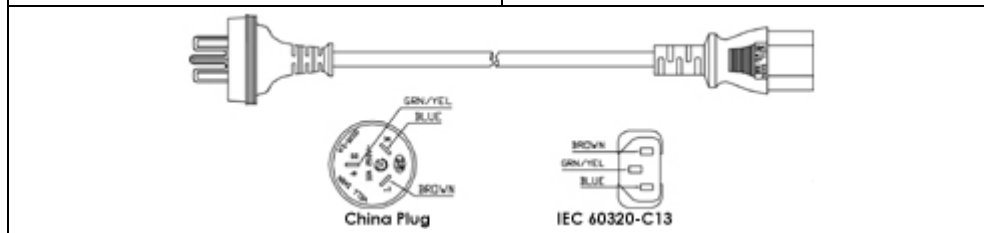


Table 6. Quail Electronics Chinese Cordset

Part Number	8590.098
Contact Telephone Number	011-1-800-669-8090
Vendor Website	http://www.quail.com/
Equipment End	IEC 60320 C13
Supply End	GB 2099-1-1996
Current Rating	10A
Voltage Rating	250VAC
Length	2.5 meters



3.3.4 United Kingdom Power Supply Cordsets

Table 7. Interpower Corporation United Kingdom Cordset

Part Number	86240080
Contact Telephone Number	44 (0) 1908 327700
Vendor Website	http://www.interpower.com/
Equipment End	IEC 60320 C13

Supply End	U.K. Plug BS 1363
Current Rating	10A
Voltage Rating	250VAC
Length	3.5 meters

Table 8. Quail Electronics United Kingdom Cordset

Part Number	9650.098
Contact Telephone Number	011-1-800-669-8090
Vendor Website	http://www.quail.com/
Equipment End	IEC 60320 C13
Supply End	U.K. Plug BS 1363
Current Rating	10A
Voltage Rating	250VAC
Length	2.5 meters