

# intel® Technical Advisory

TA-0778-1

5200 NE Elam Young Parkway  
Hillsboro, OR 97124

May 26, 2005

## Improving ambient noise levels when integrating the Intel® Server Board SE7320EP2 with the Intel® Server Chassis SC5275-E

Information in this document is provided in connection with Intel products. No license, express or implied, by estoppel or otherwise, to any intellectual property rights is granted by this document. Except as provided in Intel's Terms and Conditions of Sale for such products, Intel assumes no liability whatsoever, and Intel disclaims any express or implied warranty, relating to sale and/or use of Intel products including liability or warranties relating to fitness for a particular purpose, merchantability, or infringement of any patent, copyright or other intellectual property right. Intel products are not intended for use in medical, life saving, or life sustaining applications. Intel may make changes to specifications and product descriptions at any time, without notice. The **Intel® Server Board SE7320EP2** may contain design defects or errors known as errata which may cause the product to deviate from published specifications. Current characterized errata are available on request.

### Products Affected

Product Code	MM#	Description
BEP2SCSIBBSPP	870731	OEM 10-pack Dual NIC with SCSI MBD
BEP2BBSP	870425	OEM 10-pack Single NIC/NO SCSI MBD
SE7320EPDGSP	870833	Boxed Board Dual NIC/NO SCSI MBD
SE7525RP2SPP	870830	Boxed Board x16 PCI-E/Single NIC
SC5275-E	857142	5.2U Pedestal Chassis

### Description

When integrating the Intel® Server Board SE7320EP2 or the Intel® Server Board SE7525RP2 with the Intel® Server Chassis SC5275-E, the acoustic noise levels of the fans can be improved by upgrading the front panel of the chassis. By default, these board and chassis combinations use the server board temperature sensor. The server board temperature sensor can only report the temperature inside the case. Upgrading the front panel allows the system to read ambient air temperature at the front of the chassis for a more accurate temperature reading.

### Root Cause

The Intel® Server Board SE7320EP2 does not have a baseboard management controller that will allow it to communicate with the Intel® Server Chassis SC5275-E front panel temperature sensor.

### Corrective Action / Resolution

Future chassis supported by the Intel® Server Board SE7320EP2 will contain front panels that support reading ambient air temperature using the front panel.

For existing integrations, the front panel can be upgraded to FXXPP3FPBRD – MM# 871863, and the server board temperature sensor jumper must be set. This new front panel must be ordered separately.

### Replacing the Front Panel Board

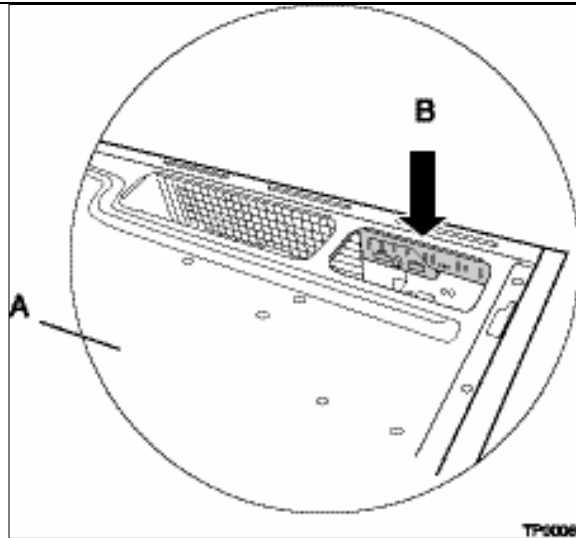
1. Remove the left access cover.
2. Remove the bezel.
3. Remove the two screws at the rear of the chassis that hold the right access cover in place.
4. Remove the right access cover. A rectangular opening at the right side of the chassis provides access to the front panel board.

# intel® Technical Advisory

TA-0778-1

5200 NE Elam Young Parkway  
Hillsboro, OR 97124

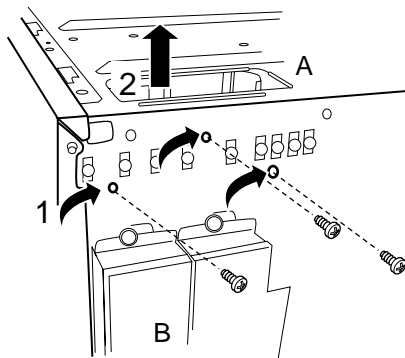
May 26, 2005



- A. Right side of chassis, access cover removed
- B. Access to Front Panel Board

**Figure 1. Front Panel Board Access**

5. Disconnect the front panel cable from the front panel board.
6. Remove and save the three screws holding the front panel board to the chassis. See number 1 in the figure below
7. Remove the front panel board through the access hole. See number 2 in the figure below



- A. Right side of chassis
- B. Front of chassis

**Figure 2. Removing the Front Panel Board**

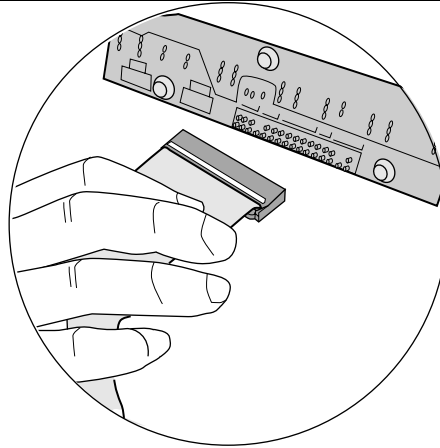
8. Slide the end of front panel board cable through the front panel opening and attach it to the new front panel board. Attach the cable before installing the new front panel board into the chassis to ensure the cable pins line up correctly.

# intel® Technical Advisory

TA-0778-1

5200 NE Elam Young Parkway  
Hillsboro, OR 97124

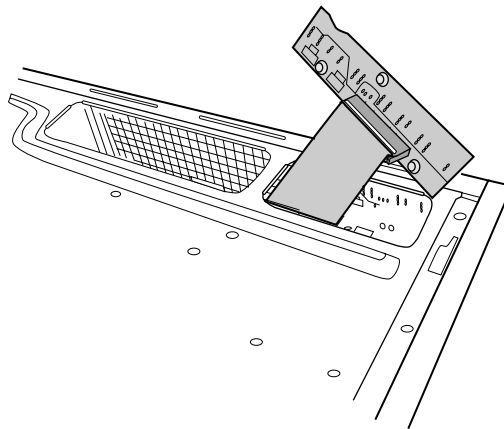
May 26, 2005



TP00082

**Figure 3. Attaching the Front Panel Cable**

9. Place the new front panel board in the chassis.
10. Insert and tighten the three screws removed earlier.



TP00083

**Figure 4. Inserting the Front Panel Board**

11. Replace the right access cover.
12. Replace the bezel.
13. Replace the left access cover.

## Setting the server board temperature sensor jumper

The server board temperature sensor jumper must be set as shown by the yellow circle in Figure 5 below.

# intel® Technical Advisory

TA-0778-1

5200 NE Elam Young Parkway  
Hillsboro, OR 97124

May 26, 2005



**Figure 5. Temperature sensor jumper location**

Please contact your Intel Sales Representative if you require more specific information about this issue.

Enterprise Platforms & Services Division  
Intel Corporation