

19" & 23" Universal Rack Mount Kit Installation Instructions

Rack Types Supported

- 19" (TMLPMOUNT41)
- 23" (TMLPMOUNT42)

Platforms Supported

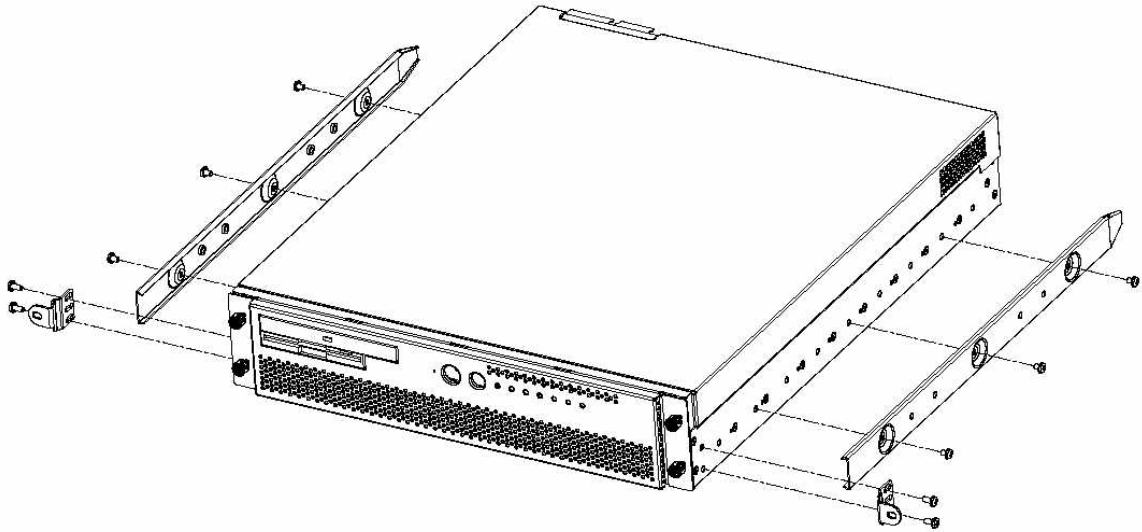
- 2U (e.g., TSRLT2)
- 1U (e.g., TSRMT2 and TIGPT1U)

Four-Post Installation Instructions

NOTE

Although a 2U (e.g., TSRLT2) chassis is shown in the illustrations below, these instructions also apply to a 1U (e.g., TSRMT2 and TIGPT1U) chassis.

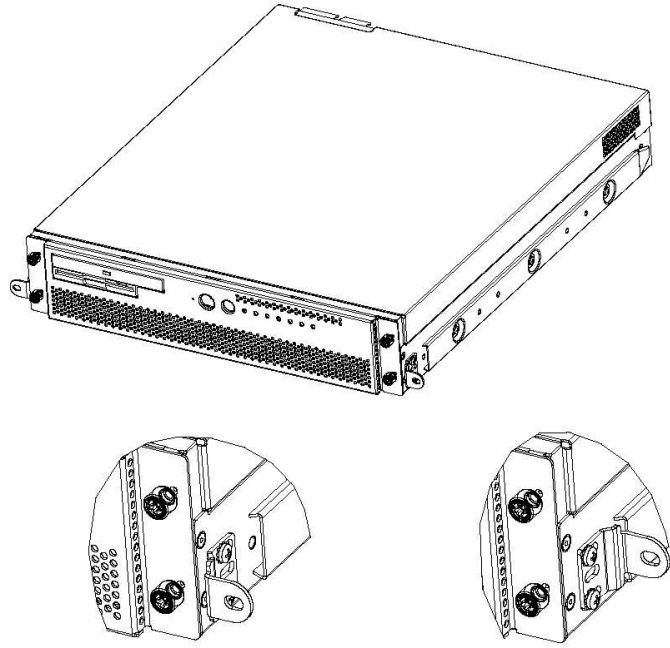
1. Attach the inner rail to chassis with three 8-32x1/4" SEMS screws (both sides).



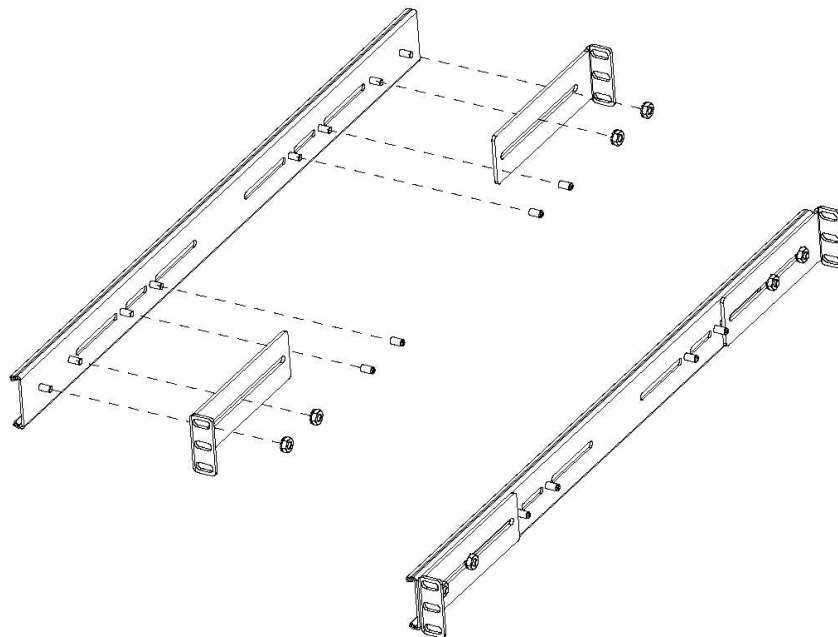
2. Attach the front-tab mounting bracket to the chassis with two 8-32x1/4" SEMS screws (both sides).

 **NOTE**

The bracket can be flipped in order to push the system forward in the rack (see inset).



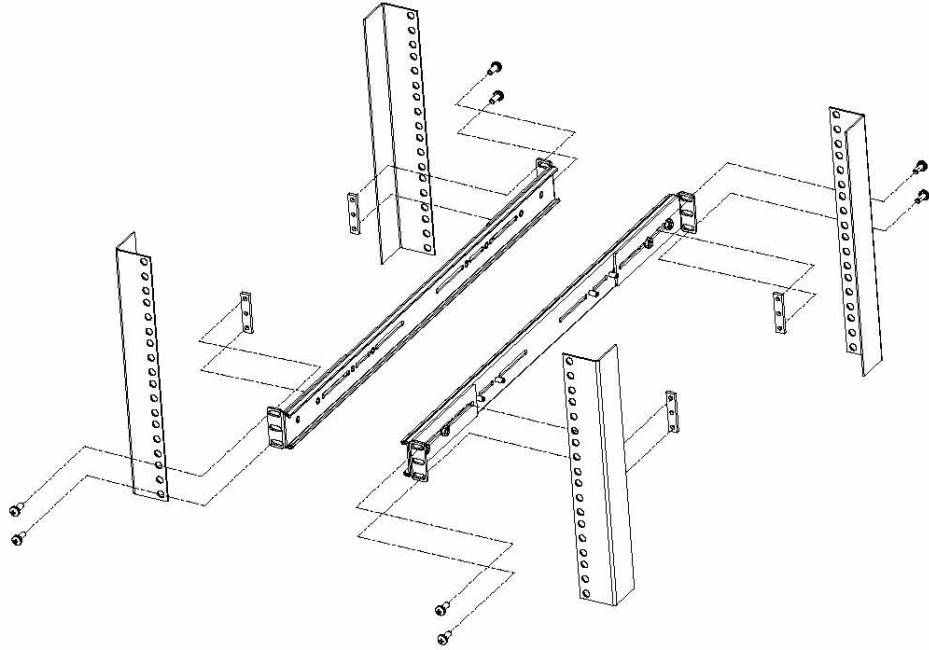
3. Using the 4 outer studs, assemble the mounting brackets to the outer rail with four 8-32 KEPS nuts. Insert 4 thread covers over the 4 inner studs.



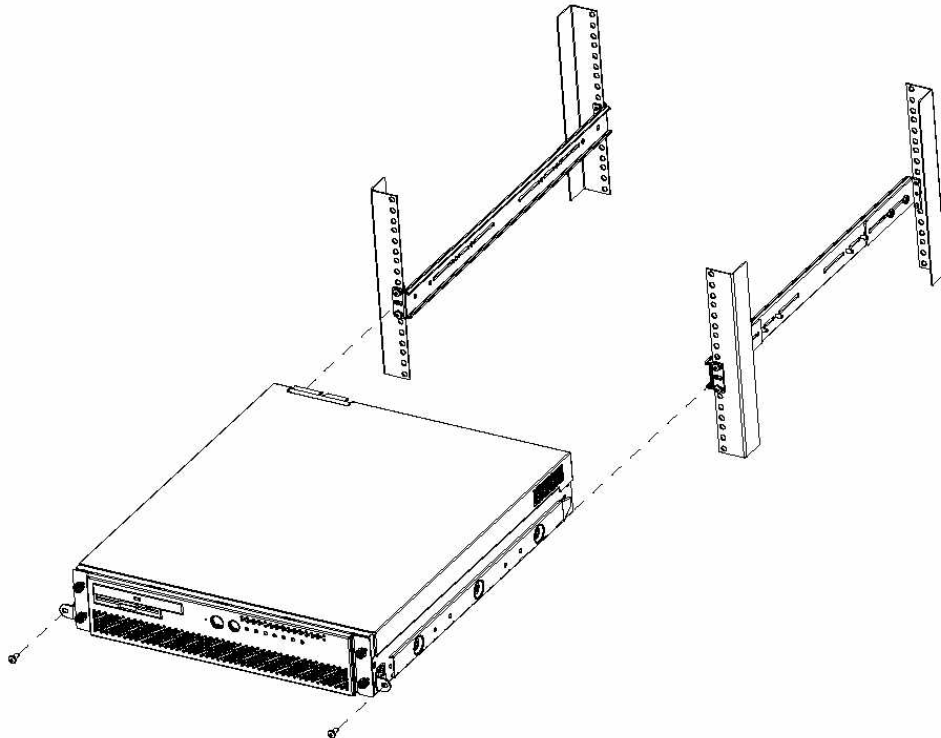
4. Install the two outer rail subassemblies in the rack using eight 10-32x1/2" SEMS screws (use four bar-nuts if necessary).

 **NOTE**

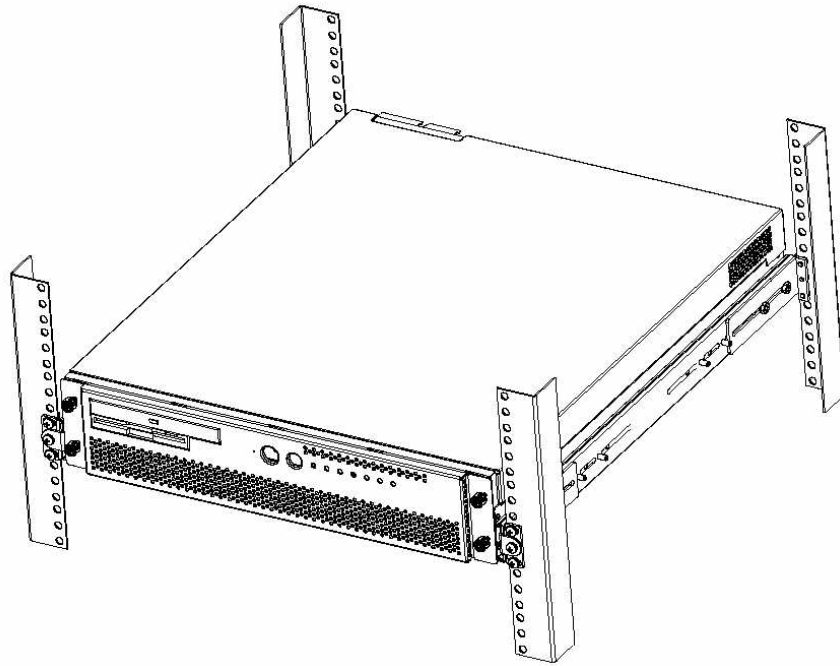
Mounting brackets should be adjusted based on rack depth.



5. Slide the system into the rack making sure the inner rail is 'dovetailed' with outer rail.



6. Install two 10-32X1/2" SEMS screws to hold the front-tab mounting bracket to the rail.

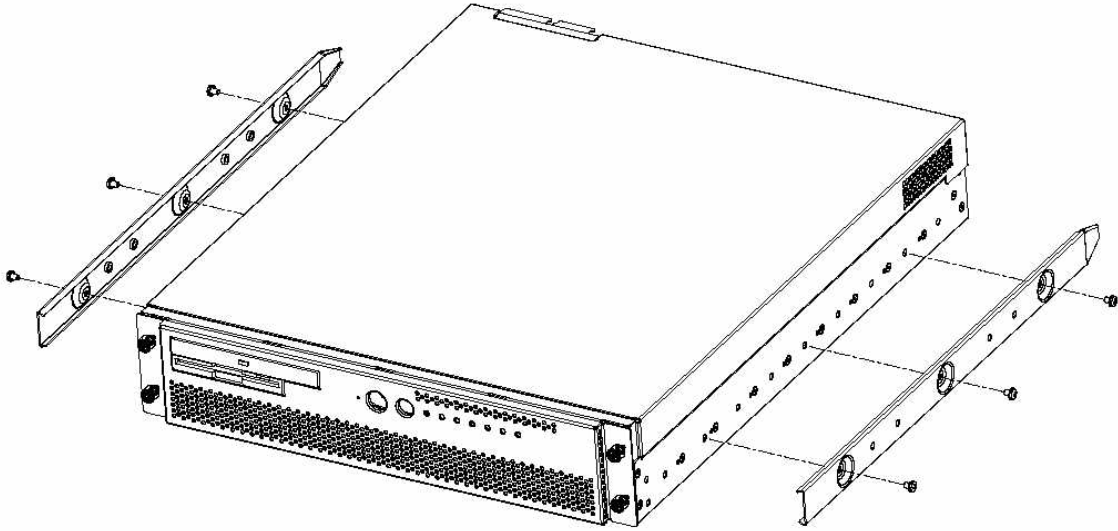


Two-Post Installation Instructions

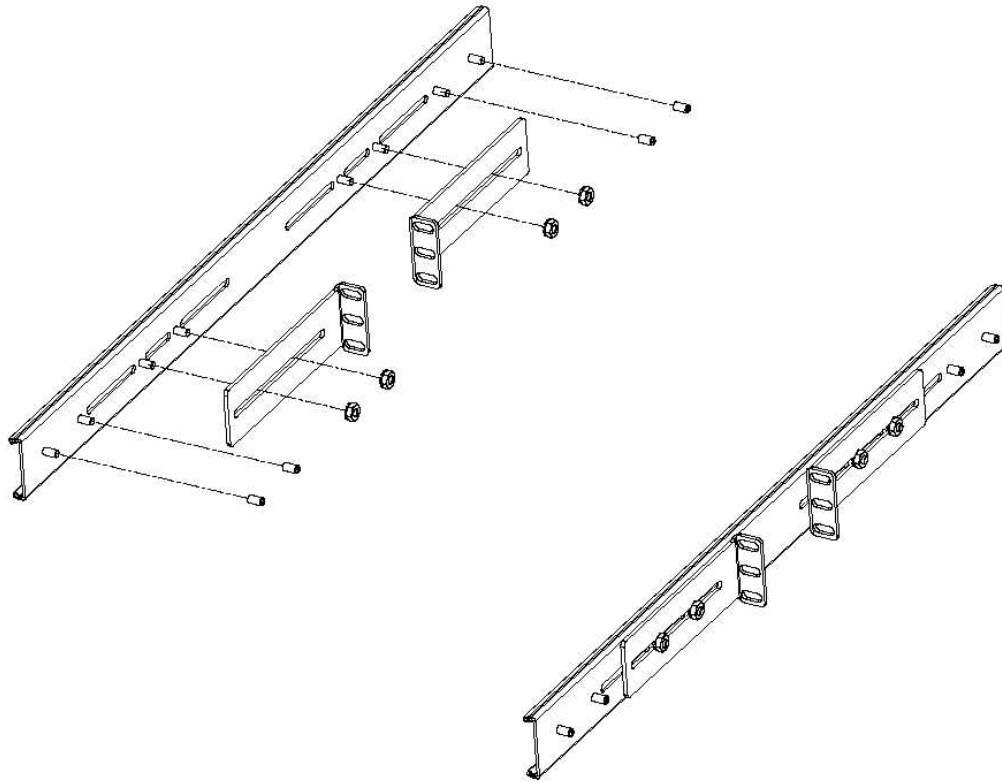
 **NOTE**

Although a 2U (e.g., TSRLT2) chassis is shown in the illustrations below, these instructions also apply to a 1U (e.g., TSRMT2 and TIGPT1U) chassis.

1. Attach the inner rail to the chassis with three 8-32x1/4" SEMS screws (both sides).



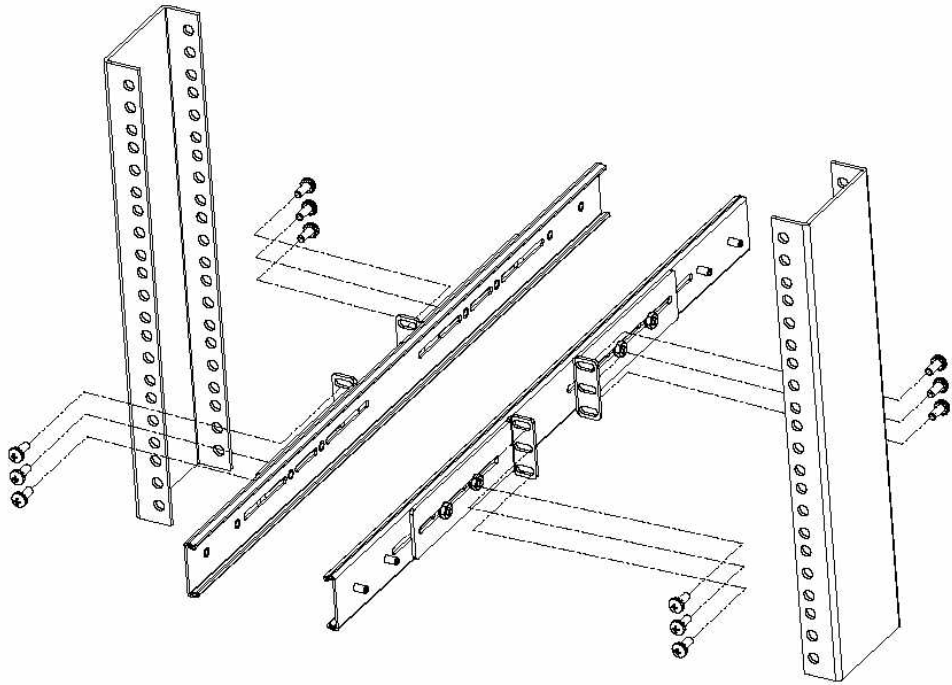
2. Using the four inner studs, assemble the mounting brackets to the outer rail with four 8-32 KEPS nuts. Insert four thread covers over the four outer studs (two times).



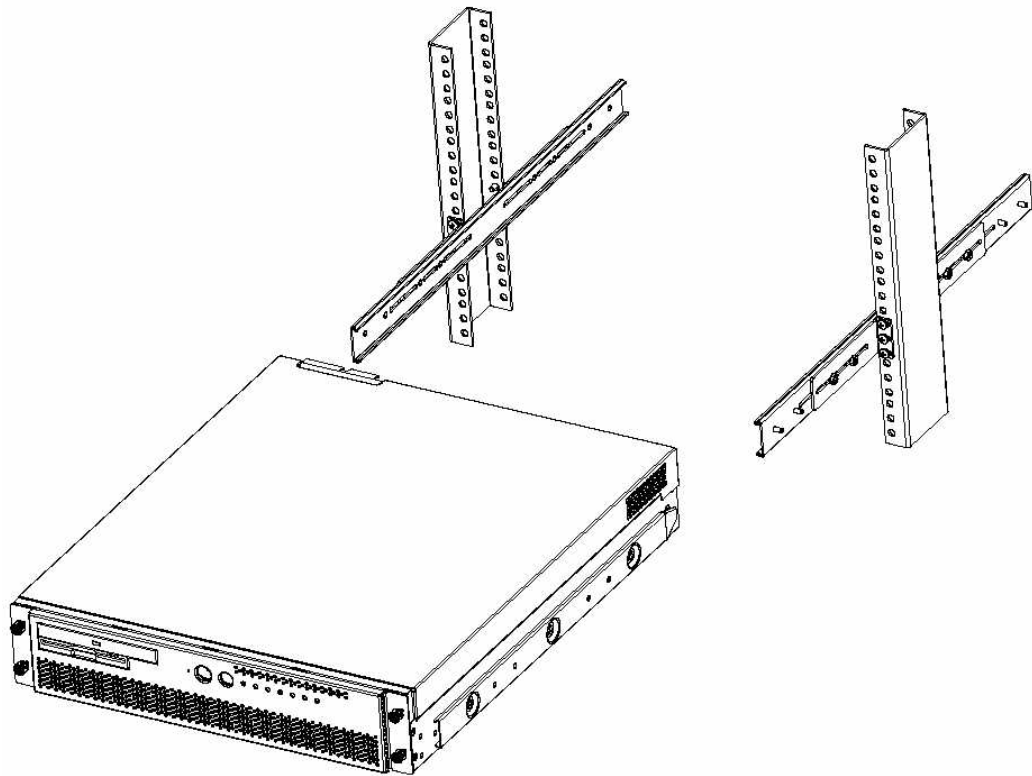
3. Install the two outer rail subassemblies in the rack using twelve 10-32x1/2" SEMS screws or whatever rack hardware is necessary.

 **NOTE**

Mounting brackets should be adjusted based on rack channel depth.



4. Slide the system into the rack making sure the inner rail is 'dovetailed' with outer rail.



5. Install four 8-32x7/16" SEMS screws through the clearance slots in the side of the outer rail assembly into the inner rail (two sides).

