

Rack Mount Kit Install Guide: Intel® Entry Server Chassis SC5295-E UP/DP/WS/BRP Intel® Entry Server Chassis SC5299-E DP/WS/BRP

A Guide for Technically Qualified Assemblers of Intel® Identified Subassemblies/Products

Intel Order Number: D13321-002



Disclaimer

Information in this document is provided in connection with Intel® products. No license, express or implied, by estoppel or otherwise, to any intellectual property rights is granted by this document. Except as provided in Intel's Terms and Conditions of Sale for such products, Intel assumes no liability whatsoever, and Intel disclaims any express or implied warranty, relating to sale and/or use of Intel® products including liability or warranties relating to fitness for a particular purpose, merchantability, or infringement of any patent, copyright or other intellectual property right. Intel products are not designed, intended or authorized for use in any medical, life saving, or life sustaining applications or for any other application in which the failure of the Intel product could create a situation where personal injury or death may occur. Intel may make changes to specifications and product descriptions at any time, without notice.

Intel® server boards contain a number of high-density VLSI and power delivery components that need adequate airflow for cooling. Intel's own chassis are designed and tested to meet the intended thermal requirements of these components when the fully integrated system is used together. It is the responsibility of the system integrator that chooses not to use Intel developed server building blocks to consult vendor datasheets and operating parameters to determine the amount of airflow required for their specific application and environmental conditions. Intel Corporation can not be held responsible if components fail or the server board does not operate correctly when used outside any of their published operating or non-operating limits.

Intel, Intel Pentium, and Intel Xeon are trademarks or registered trademarks of Intel Corporation or its subsidiaries in the United States and other countries.

* Other names and brands may be claimed as the property of others.

Copyright © 2005-2006, Intel Corporation. All Rights Reserved

Safety Information

Important Safety Instructions

Read all caution and safety statements in this document before performing any of the instructions. See also Intel Server Boards and Server Chassis Safety Information on the *Intel® Server Deployment Toolkit CD* and/or at <http://support.intel.com/support/motherboards/server/sb/cs-010770.htm>.

Wichtige Sicherheitshinweise

Lesen Sie zunächst sämtliche Warnung und Sicherheitshinweise in diesem Dokument, bevor Sie eine der Anweisungen ausführen. Beachten Sie hierzu auch die Sicherheitshinweise zu Intel-Serverplatinen und Servergehäusen auf der *Intel® Server Deployment Toolkit CD* oder unter <http://support.intel.com/support/motherboards/server/sb/cs-010770.htm>.

Consignes de sécurité

Lisez attention toutes les consignes de sécurité et les mises en garde indiquées dans ce document avant de suivre toute instruction. Consultez Intel Server Boards and Server Chassis Safety Information sur le *Intel® Server Deployment Toolkit CD* ou bien rendez-vous sur le site <http://support.intel.com/support/motherboards/server/sb/cs-010770.htm>.

Instrucciones de seguridad importantes

Lea todas las declaraciones de seguridad y precaución de este documento antes de realizar cualquiera de las instrucciones. Vea Intel Server Boards and Server Chassis Safety Information en el *Intel® Server Deployment Toolkit CD* y/o en <http://support.intel.com/support/motherboards/server/sb/cs-010770.htm>.

重要安全指导

在执行任何指令之前，请阅读本文档中的所有注意事项及安全声明。和/或 <http://support.intel.com/support/motherboards/server/safecert.htm> 上的 *Intel Server Boards and Server Chassis Safety Information* (《Intel 服务器主板与服务器机箱安全信息》)。

Warnings

Heed safety instructions: Before working with your server product, whether you are using this guide or any other resource as a reference, pay close attention to the safety instructions. You must adhere to the assembly instructions in this guide to ensure and maintain compliance with existing product certifications and approvals. Use only the described, regulated components specified in this guide. Use of other products / components will void the UL listing and other regulatory approvals of the product and will most likely result in noncompliance with product regulations in the region(s) in which the product is sold.

System power on/off: The power button DOES NOT turn off the system AC power. To remove power from system, you must unplug the AC power cord from the wall outlet. Make sure the AC power cord is unplugged before you open the chassis, add, or remove any components.

Hazardous conditions, devices and cables: Hazardous electrical conditions may be present on power, telephone, and communication cables. Turn off the server and disconnect the power cord, telecommunications systems, networks, and modems attached to the server before opening it. Otherwise, personal injury or equipment damage can result.

Electrostatic discharge (ESD) and ESD protection: ESD can damage disk drives, boards, and other parts. We recommend that you perform all procedures in this chapter only at an ESD workstation. If one is not available, provide some ESD protection by wearing an antistatic wrist strap attached to chassis ground any unpainted metal surface on your server when handling parts.

ESD and handling boards: Always handle boards carefully. They can be extremely sensitive to ESD. Hold boards only by their edges. After removing a board from its protective wrapper or from the server, place the board component side up on a grounded, static free surface. Use a conductive foam pad if available but not the board wrapper. Do not slide board over any surface.

Installing or removing jumpers: A jumper is a small plastic encased conductor that slips over two jumper pins. Some jumpers have a small tab on top that you can grip with your fingertips or with a pair of fine needle nosed pliers. If your jumpers do not have such a tab, take care when using needle nosed pliers to remove or install a jumper; grip the narrow sides of the jumper with the pliers, never the wide sides. Gripping the wide sides can damage the contacts inside the jumper, causing intermittent problems with the function controlled by that jumper. Take care to grip with, but not squeeze, the pliers or other tool you use to remove a jumper, or you may bend or break the pins on the board.

Contents

Safety Information	iii
Important Safety Instructions	iii
Wichtige Sicherheitshinweise	iii
Consignes de sécurité	iii
Instrucciones de seguridad importantes	iii
Rack Mount Kit Installation Instructions	1
Before You Begin	1
Kit Content List	1
Tools and Supplies Needed	1
System References	2
Installation Instructions	2
Prepare Chassis	2
Install Rack Handle	5
Prepare Rack Rail Assembly	8
Complete Setup	11

Contents

List of Figures

Figure 1. Removing Chassis Feet	2
Figure 2. Removing Top Side Cover from Chassis	3
Figure 3. Removing PCI Card Guide.....	3
Figure 4. Removing Plastic Filler Panel from Chassis	4
Figure 5. Removing Plastic Plugs	4
Figure 6. Removing Rear Screws	5
Figure 7. Removing Plastic Plugs from Top Side Cover	5
Figure 8. Installing Rack Handle on Left Side Cover.....	6
Figure 9. Affixing Label to Front Panel	6
Figure 10. Installing Top Side Cover on Chassis	7
Figure 11. Detaching Inner Rack Rail from Rack Rail Assembly	8
Figure 12. Attaching Inner Rack Rails to Chassis	9
Figure 13. Attaching Outer Rack Rails to Rack Uprights	10
Figure 14. Installing Chassis into Rack	11

List of Figures

1 Rack Mount Kit Installation Instructions

Use the instructions in this installation guide to convert the Intel® Entry Server Chassis SC5295-E or Intel® Entry Server Chassis SC5299-E from a pedestal/tower configuration to a rack mount configuration.

Before You Begin

Before converting your system to a rack mount configuration, observe these safety guidelines:

1. Turn off all peripheral devices connected to the server.
2. Turn off the server by pressing the power button on the front of the chassis. Then unplug the AC power cord from the chassis or wall outlet.
3. Label and disconnect all peripheral cables and all telecommunications lines connected to I/O connectors or ports on the back of the chassis.
4. Provide electrostatic discharge (ESD) protection by wearing an anti-static wrist strap attached to a chassis ground - any unpainted metal surface - when handling components.

Kit Content List

Each Rack Mount Kit contains the following:

- Rails (2)
- Rack Handle
- Front Panel Label
- Screws for Rack Handle (4)
- Screws for Rack (8)
- Screws for Guides (6)
- Screws for Rack security (2)

Tools and Supplies Needed

- Phillips* (cross head) screwdriver (#1 bit and #2 bit)
- Anti-static wrist strap and conductive foam pad (recommended)

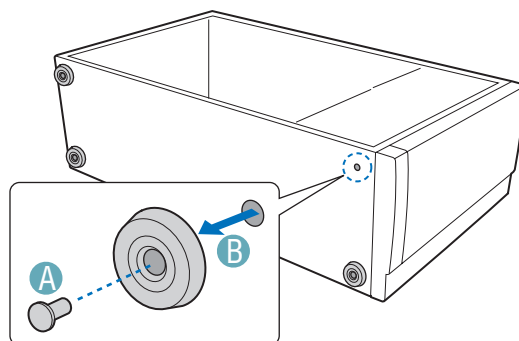
System References

All references to left, right, front, top, and bottom assume the reader is facing the front of the chassis as it would be positioned for rack-mount operation.

Installation Instructions

Prepare Chassis

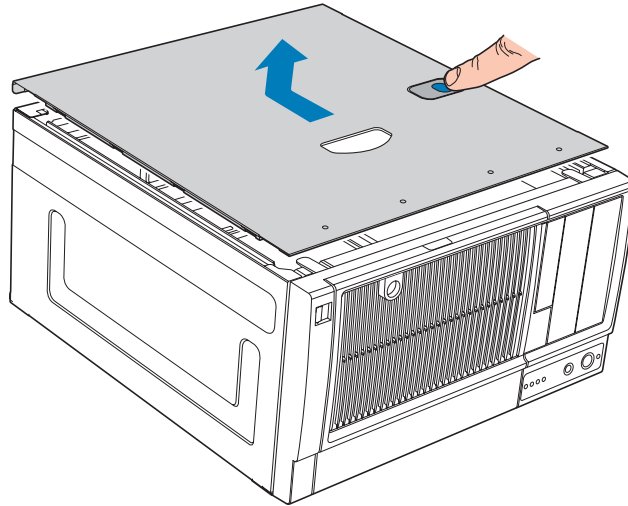
1. Read all caution and safety statements listed in this document before performing any of the steps. See the *Intel® Server Boards and Server Chassis Safety Information* document at <http://support.intel.com/support/motherboards/server/sb/cs-010770.htm> for a complete listing of all caution and safety statements.
2. Power down the server and unplug all peripheral devices and the AC power cable.
3. Lay the chassis down on its right side, as shown in Figure 1.
4. If installed, remove the chassis feet. Remove pin from rubber foot (see letter “A” in the following figure). Remove rubber foot from chassis hole (see letter “B”). Repeat process for remaining feet.



TP01710

Figure 1. Removing Chassis Feet

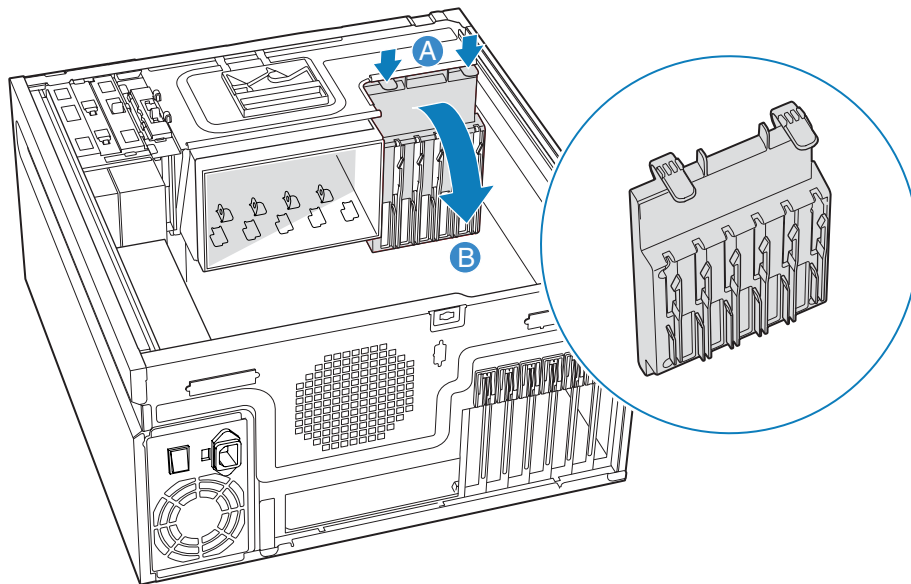
5. If present, remove the two screws securing the top side cover to the rear of the chassis. Remove top side cover by pressing the latch and pushing back on the cover.



TP00958

Figure 2. Removing Top Side Cover from Chassis

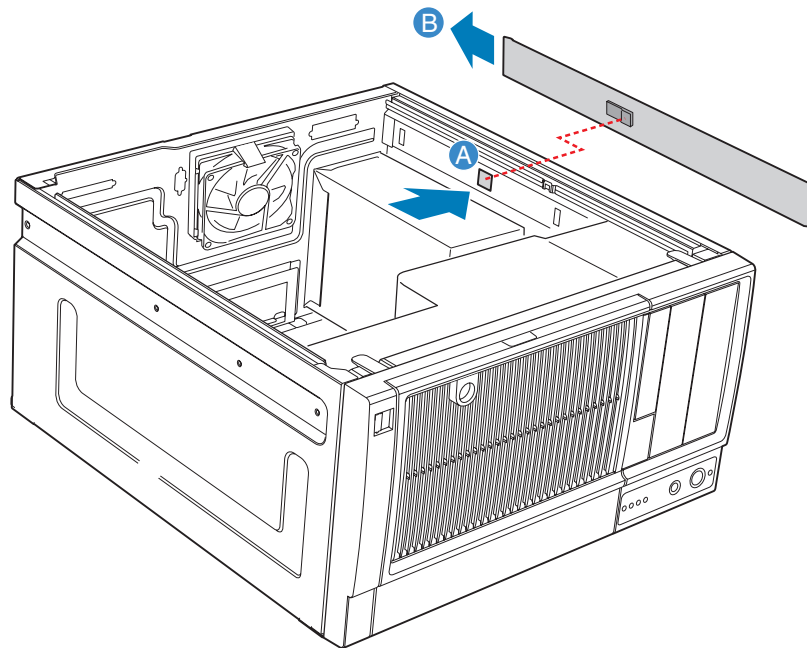
6. Remove any installed PCI Add-in Boards. Remove the PCI card guide by pressing in on the blue tabs (see letter “A” in the following figure) and pulling the PCI card guide outward (see letter “B”).



TP02001

Figure 3. Removing PCI Card Guide

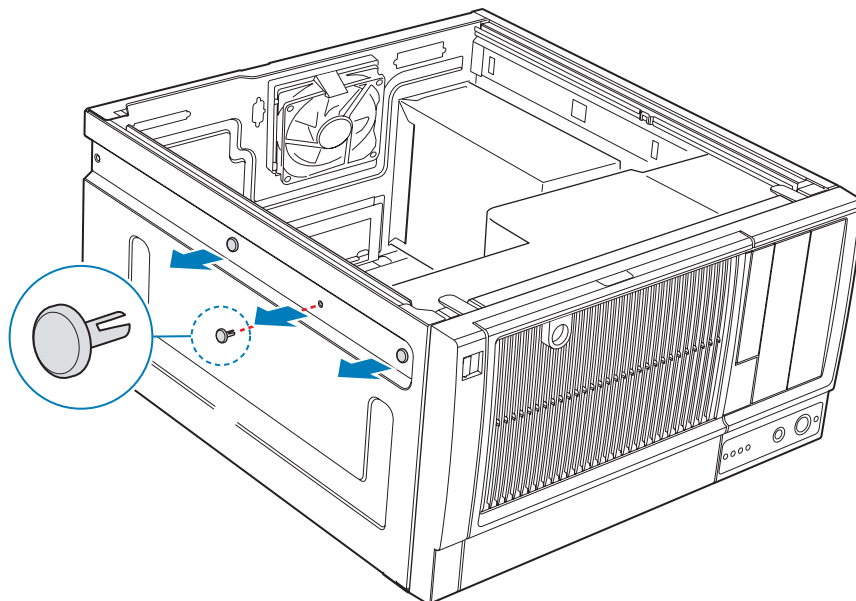
7. Remove plastic filler panel from chassis by pushing on interior tab (see letter “A” in the following figure) and sliding filler panel towards rear of chassis (see letter “B”).



TP00959

Figure 4. Removing Plastic Filler Panel from Chassis

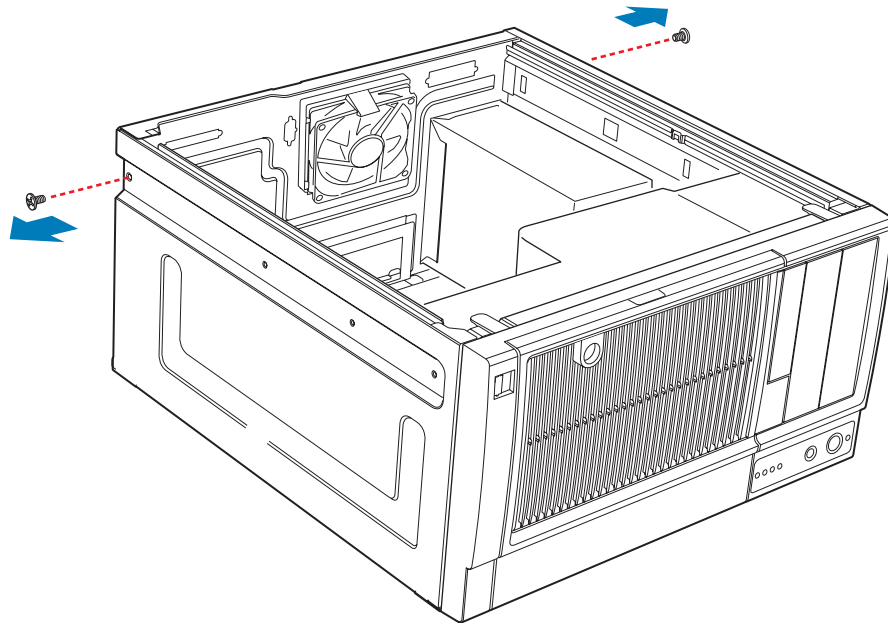
8. Remove the three plastic plugs from left side of chassis.



TP02002

Figure 5. Removing Plastic Plugs

9. Remove two screws from left and right sides of chassis.

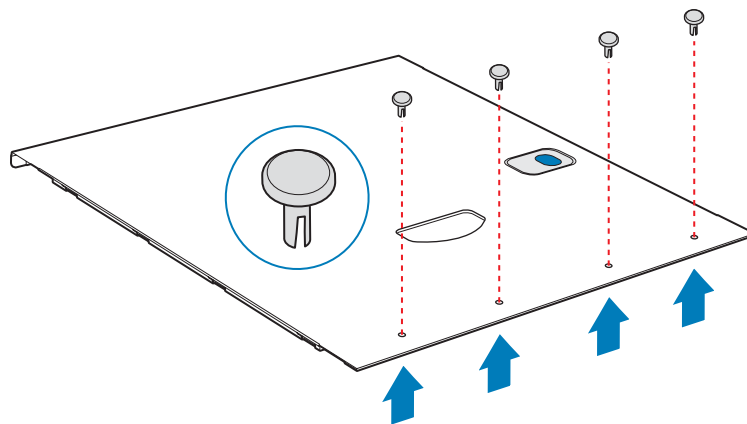


TP02003

Figure 6. Removing Rear Screws

Install Rack Handle

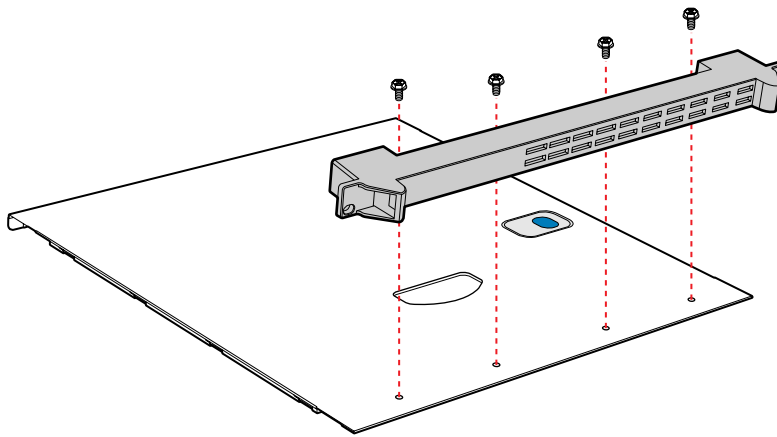
10. Remove four plastic plugs from top side cover.



TP02004

Figure 7. Removing Plastic Plugs from Top Side Cover

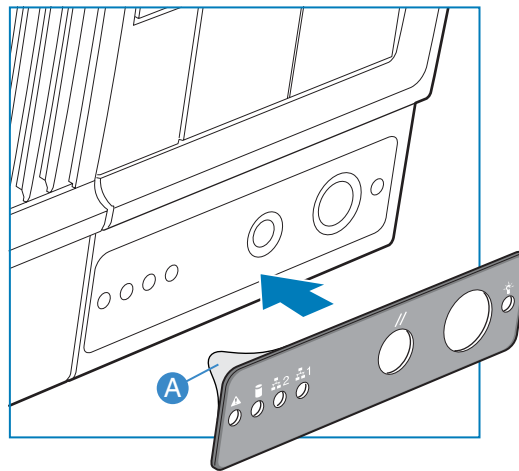
11. Install rack handle on left side cover using four 6-32 screws.



TP01053

Figure 8. Installing Rack Handle on Left Side Cover

12. If removed, install front bezel assembly. Affix front panel label (see letter “A” in the following figure) to the front panel.

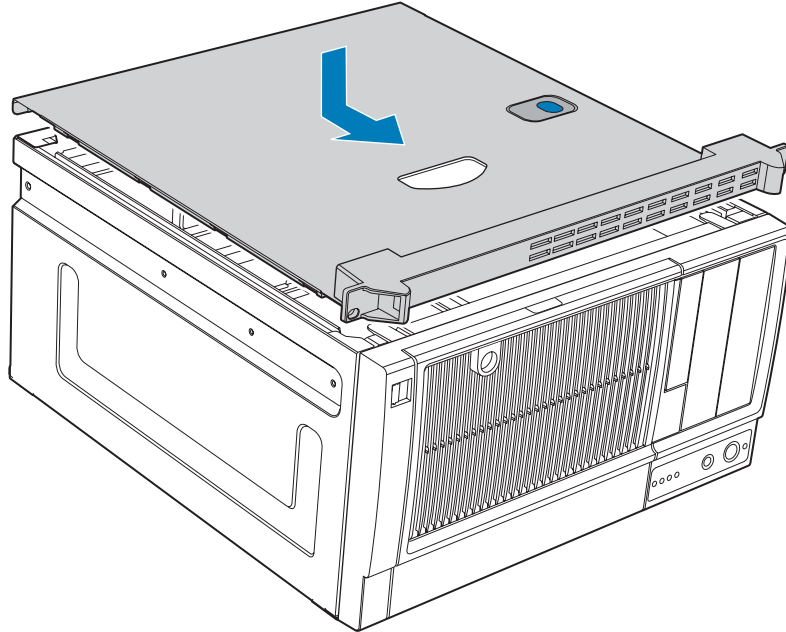


TP02005

Figure 9. Affixing Label to Front Panel

13. Install top side cover on chassis.

Warning: This chassis must be operated with the left side cover installed to ensure proper cooling.

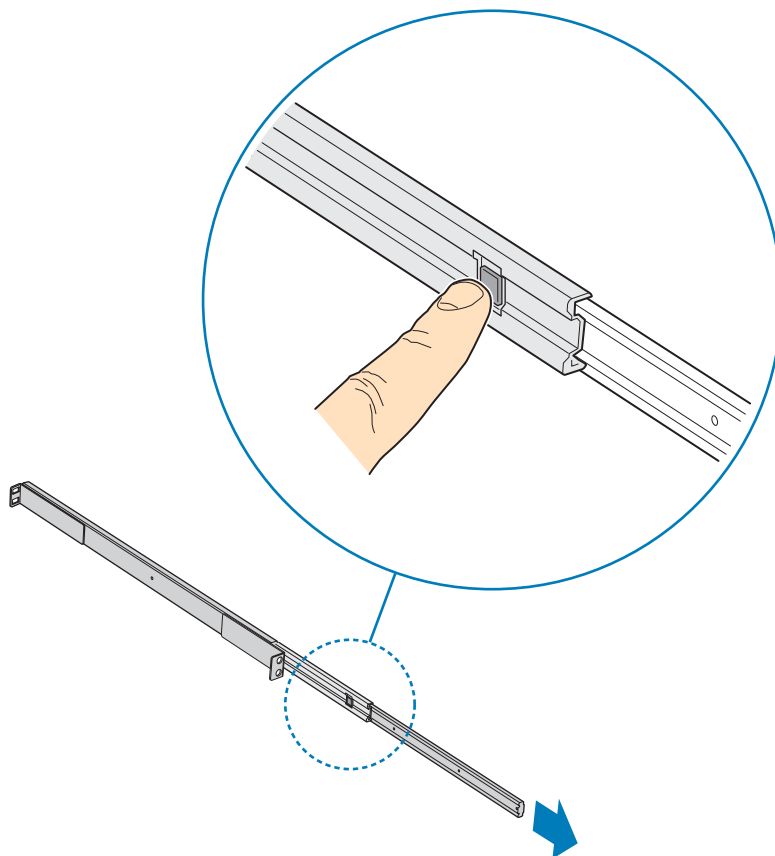


TP01057

Figure 10. Installing Top Side Cover on Chassis

Prepare Rack Rail Assembly

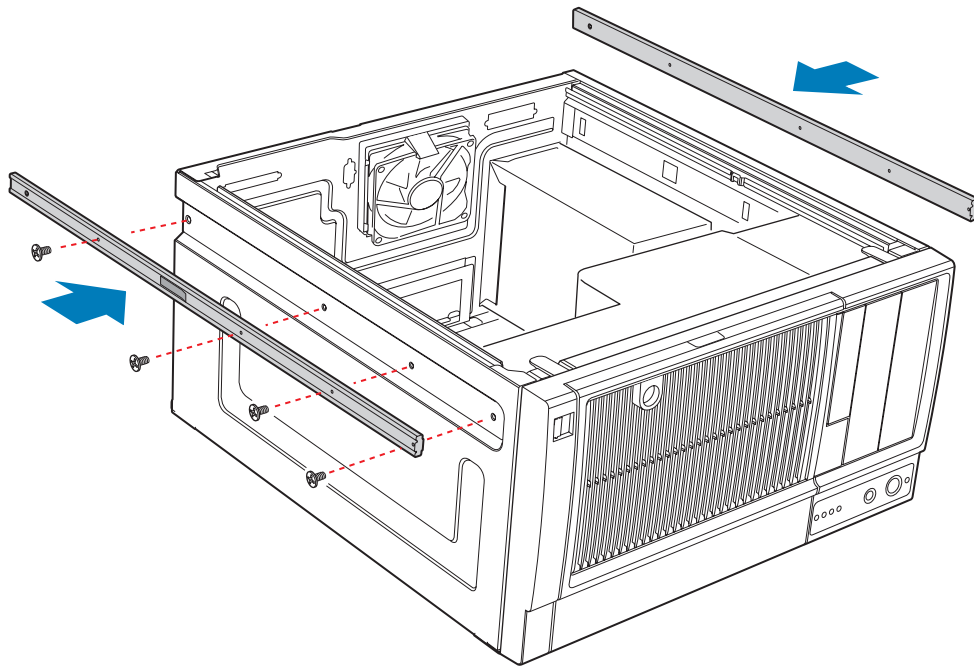
14. Detach inner rack rail from rack rail assembly. Press tab on inside of rack rail to release rack rail from rack rail assembly.



TP02006

Figure 11. Detaching Inner Rack Rail from Rack Rail Assembly

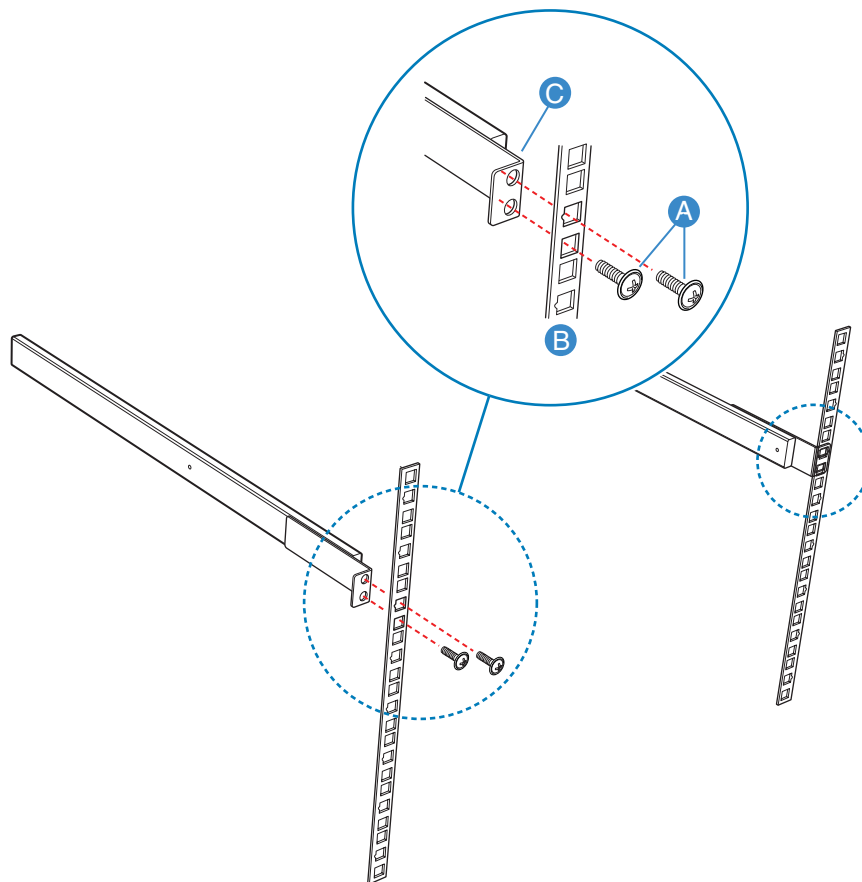
15. Attach inner rack rails (one per side) to chassis with four 6-32 screws.



TP01052

Figure 12. Attaching Inner Rack Rails to Chassis

16. Attach outer rack rails to rack uprights. Ensure that the screws (two per outer rack rail; see letter "A" in the following figure) pass through the rack upright (see letter "B"), and the outer rack rail (see letter "C").



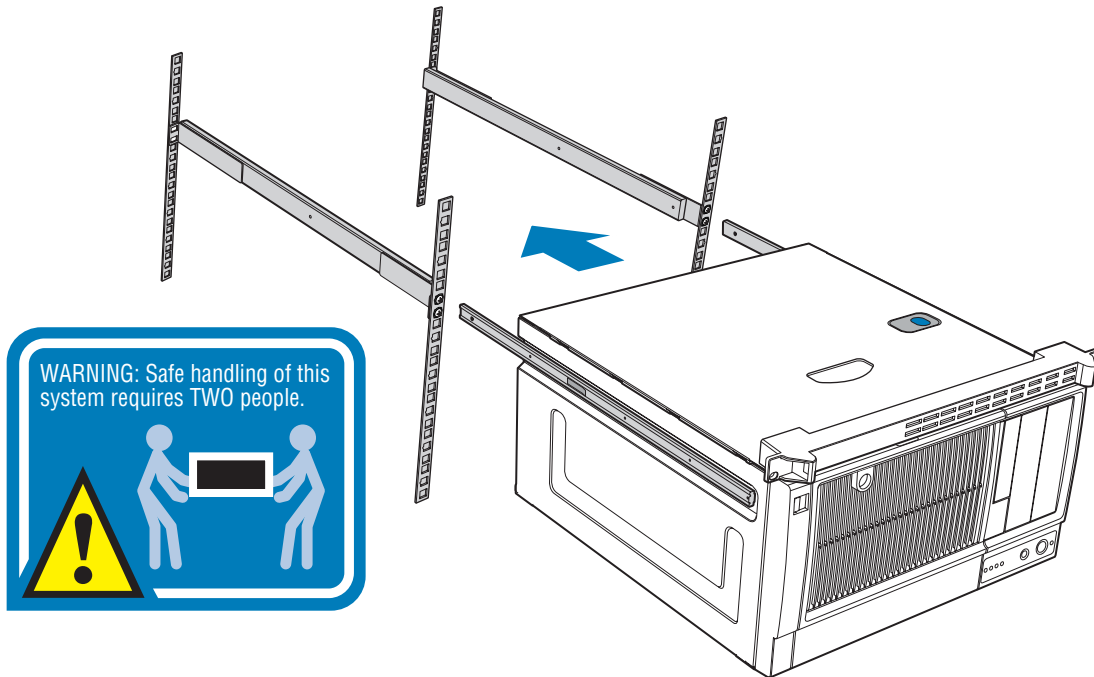
TP01056

Figure 13. Attaching Outer Rack Rails to Rack Uprights

Complete Setup

17. Install chassis into rack.

Warning: Safe handling and lifting of this system requires TWO people.



TP01058

Figure 14. Installing Chassis into Rack

18. Reconnect all peripheral devices and the AC power cable to the server. Power up the server.

