



Monthly Specification Update

Intel® Server Board S5000PAL

Intel® Server Board S5000XAL

Intel® Server System SR1500AL

Intel® Server System SR1550AL

Intel® Server System SR2500AL



Intel Order Number D65289-036

October 2011

Enterprise Platforms and Services Marketing

Revision History

Date	Modifications
June 2006	Initial release.
August 2006	Updated errata #6, 8, 16, 18, 19, 21, 22, 23, 24, 25, 26, and 27. Errata #28 were added.
November 2006	Errata #30, 31, 32, 33, and 34 were added; documentation changes #3, 4 were added.
February 2007	Errata # 35, 36, and 37 were added; updated errata # 25 and 33.
March 2007	Errata # 38, 39, and 40 were added.
April 2007	Errata #41 and 42 were added.
June 2007	Errata # 42, 43, 44, 45, 46, 47, 48, and 49 were added.
July 2007	Updated errata #36 and #42. Errata # 50 were added.
August 2007	Updated erratum #47.
September 2007	Errata #51, 52, and 53 were added.
October 2007	Updated errata # 42; errata # 54 were added.
December 2007	Errata # 55 was added.
February 2008	Errata # 56 was added.
August 2008	Errata # 57 was added.
October 2008	Errata # 58 and # 59 were added.
January 2009	Errata #60 and #61 were added.
April 2009	Errata #62 and #63 were added.
July 2009	Errata #64 was added.
September 2009	Errata #65 was added.
December 2010	Errata #66 was added.
February 2011	Errata #67 and #68 were added.
October 2011	Errata #69 was added

Disclaimers

The Intel Products Specified may contain design defects or errors known as errata that may cause the products to deviate from the published specifications. Current characterized errata are documented in this Specification Update.

Information in this document is provided in connection with Intel products. No license, express or implied, by estoppel or otherwise, to any intellectual property rights is granted by this document. Except as provided in Intel's Terms and Conditions of Sale for such products, Intel assumes no liability whatsoever, and Intel disclaims any express or implied warranty, relating to sale and/or use of Intel products including liability or warranties relating to fitness for a particular purpose, merchantability, or infringement of any patent, copyright or other intellectual property right. Intel products are not intended for use in medical, life saving, or life sustaining applications. Intel may make changes to specifications and product descriptions at any time, without notice.

Contact your local Intel sales office or your distributor to obtain the latest specifications and before placing your product order.

Intel, Itanium, Pentium, and Xeon are trademarks or registered trademarks of Intel Corporation.

*Other brands and names may be claimed as the property of others.

Copyright © Intel Corporation 2006-2011.

Contents

Preface	1
Summary Tables of Changes.....	2
Errata.....	5
1. IPMI over serial direct connect not supported.....	5
2. Serial over LAN and IPMI over LAN connections may terminate unexpectedly under certain conditions.....	5
3. Intermittent beep code 1-5-2-1 when booting with two processors	5
4. Power supply population errors may not display in the SEL	5
5. Fan 5 may report a reading of 0 RPM after the BMC is updated	6
6. The BMC may not respond to the IPMI command, Send Message sent via LAN....	6
7. Fans may take a long time to slow down after fan boosting.....	7
8. System requires ~35 seconds after AC power is applied before the power button responds	7
9. SEL events for Hot-swap Controller (HSC) may appear after a DC cycle	7
10. Fans may run faster than expected after exiting BIOS setup	7
11. System fault LED may report incorrect status for some events.....	8
12. Fan removal does not generate a SEL event	8
13. Power supply redundancy state is misleading when only one power supply is installed	9
14. Hot-swap Controller (HSC) and Local Control Panel (LCP) updates may take a long time	9
15. Console Redirection Baud Rate Setting auto changing to 19.2K with Serial Over LAN (SOL) active.....	9
16. Serial Over LAN (SOL) unable to redirect DOS output	10
17. Password on boot not supported.....	10
18. Intel® Embedded Server RAID Technology II option is not enabled in initial BIOS release	10
19. HSC and BMC versions intermittently not seen in BIOS setup	10
20. Intel® Server Boards S5000PAL/S5000XAL and Intel® Server System SR1500AL show a “Changes in Hardware or Drivers Detected” error message during WHQL ACPI stress testing	11
21. POST LEDs do not turn off after operating system loads	11
22. Checkup7.exe (microcode update utility) is not storing microcode in BIOS	12
23. Intel® RAID Controller SRCAS144E causes systems to reset multiple times before completing POST.....	12
24. Change Logo Utility does not save modified BIOS capsule files with correct extension	13
25. PS/2 keyboards and mice may stop functioning after Red Hat* Enterprise Linux is installed	13

26. Failures seen installing to a SATA drive when SATA is set to “Legacy” in the BIOS setup 14

27. System hangs after disabling on-board video in the BIOS setup 14

28. The SMBIOS entry point may not be visible under certain hardware configurations 14

29. Intel® Embedded Server RAID Technology II and I/O module IRQ routing conflict 15

30. SuSE* Linux Enterprise Server may not install successfully with Intel® Embedded Server RAID Technology II enabled..... 15

31. Red Hat* Enterprise Linux 4 and BIOS setup display a different L2 cache size for the Quad-Core Intel® Xeon® processor 5300 Series..... 16

32. Change Logo Utility causes BIOS corruption..... 16

33. Microsoft Windows System Event Viewer* may record Error Event with ID 11 16

34. After the system reboots, the POST screen may generate "NMI has been received - System Halted" message..... 17

35. Intel® RAID Web Console 2 utility displays “Unexpected Sensor” warning message in Microsoft Windows* operating system 17

36. Random drives may go offline when a sixth drive is installed and Intel® Embedded Server RAID Technology II is enabled in the Intel® Server System SR2500ALBRP 18

37. Intel recommends enterprise-class hard drives for use with Intel® Server Systems 18

38. Dual Gigabit Expansion Module may not properly reset 18

39. SAS drive in a ROMB RAID 5 may drop offline during a reboot in the Intel® Server System SR2500PALLX..... 19

40. Intel® Server System SR2500ALLX sixth hard drive filler panel is difficult to remove 19

41. SuSE* Linux Enterprise Server unable to boot after basic installation 20

42. Drives may not be detected or may go offline in the Intel® Server System SR2500ALBRP when operating at SATA 3GB/s data rate 20

43. New versions of BMC firmware with previous versions of BIOS cause system POST failure 21

44. Intel® Server System SR2500ALLX may operate louder than expected 21

45. Red Hat* Enterprise Linux may report the wrong processor speed..... 21

46. The SuSE* Linux Enterprise Server 10 driver for SAS HW RAID causes unwanted error logs during installation 21

47. IERR or thermal trip event reported in System Event Log (SEL) after system power on 22

48. USB device generates “The following boot-start or system-start driver(s) failed to load: i8042prt” error message in Microsoft Windows* operating systems..... 23

49. Microsoft Windows* and Intel® RAID Web Console II report an error when the ASR2500SATAPE kit is used..... 23

50. System may log IERRs when running certain Red Hat* Enterprise Linux versions on the Intel® Server Board S5000PAL with video driver ati_drv.o 6.5.6..... 23

51. Microsoft Windows* operating systems installed without a service pack will display blue screen with BIOS 79 and 81 24

52. Sluggish system performance may be experienced with BMC 60..... 25

53.	Downgrading the firmware of the Integrated RAID (ROMB), Intel® Embedded Server RAID Technology II, or SAS may cause system damage	25
54.	In the Intel® Server Systems SR2500ALLX and SR1550ALSAS, flashing of SAS firmware 1.22 and SAS BIOS 06.16.00 makes hard drive #1 (upper left drive tray) undetected during SAS controller scanning.....	25
55.	Microsoft Windows 2003 R2 SP2* may display blue screen during an operating system boot or shutdown with a specific version of Intel® I/OAT driver	26
56.	Server System Event Log (SEL) time may be one day later than BIOS time after entering year 2008.....	27
57.	Performance Power Management Error in Microsoft Windows Server 2008*	27
58.	Midplane2 hardware RAID produces unexpected beep sounds during system POST	28
59.	Platform Confidence Test (PCT) fails with BIOS 89/91 on Intel® Server Board S5000PAL/S5000XAL.....	28
60.	USB mouse may hang in BIOS 94 RAID Console	28
61.	PCI IBIST Error with BIOS 84.....	29
62.	System May Hang during Login or Shutdown.....	29
63.	Hard Disks Are Difficult to Install in Intel® Server System SR2500AL and Intel® Server Chassis SR2500.....	29
64.	System May not Boot After Multiple DC power Cycles with BIOS Revision R009830	
65.	System will not skip CD/DVD drive with BIOS Revision R0098 when RMM2 installed	30
66.	Please use AXXMINIDIMM512 as the replacement solution for AXXMINIDIMM which is EOLed.....	31
67.	Minus “year” number to go past “2000” at BIOS “system date” set up interface will cause the server system to hang	31
68.	Please do not downgrade BIOS from factory shipped BIOS 101 to any previous version	31
69.	The Serial Port Console Redirection displays the Adaptec® 5805 RAID Configuration Utility incorrectly	
Documentation Changes		33
1.	The SMBUS block diagram (Figure #16) provided in Rev. 1.1 of the Intel® Server Board S5000PAL/S5000XAL TPS requires changes to accurately reflect production hardware design	33
2.	The power block diagram (Figure #25) as provided in Rev. 1.1 of the Intel® Server Board S5000PAL/S5000XAL TPS does not reflect the final, production-level baseboard design	34
3.	SAS/SAS RAID midplane board (Figure #22) as provided in Rev.1.0 of the Intel® Server System SR2500AL TPS should swap the descriptions of items A and K	35
4.	Front panel pin-out in the Intel® Server Board S5000PAL Quick Reference Label is incorrect	36

Preface

This document communicates product Errata and Documentation Changes and Corrections for the following Intel Server Products:

- Intel® Server Board S5000PAL
- Intel® Server Board S5000XAL
- Intel® Server Chassis SR1500
- Intel® Server Chassis SR1550
- Intel® Server Chassis SR2500
- Intel® Server System SR1500AL
- Intel® Server System SR1550AL
- Intel® Server System SR2500AL

Refer to the *Dual-Core Intel® Xeon® Processor 5000 Sequence Specification Update* (Order Number: 313065) for specification updates concerning the Dual-Core Intel® Xeon® Processor 5000 Series processors. Items contained in the *Dual-Core Intel® Xeon® Processor 5000 Sequence Specification Update* that do not apply to the products in this document or were worked around are noted in this document. Otherwise, it should be assumed that any processor errata for a given stepping are applicable to the Printed Board Assembly (PBA) revisions(s) associated with that stepping.

This document communicates the following types of changes:

- **Specification Changes** are modifications to the current published specifications for a given product. These include typos, errors, or omissions. The next release of the document will incorporate the specified changes.
- **Specification Clarifications** describe a supported feature or function in greater detail or further highlight their impact to a complex design requirement. The next release of the document will incorporate these clarifications.
- **Errata** are design defects or deviations from current published specifications for a given product. Published errata may or may not be corrected. Hardware and software designed to be used with any given processor stepping must assume that all errata documented for that processor stepping is present on all devices.

Summary Tables of Changes

The following tables provide an overview of known errata and known document changes that apply to the specified Intel Server Products. The tables use the following notations:

Doc Intel intends to update the appropriate documentation in a future revision.

Fix Intel intends to correct this erratum.

Fixed This erratum was corrected.

No Fix There are no plans to correct this erratum.

Shaded This item is new or was modified from the previous specification update.

Table 1. Errata Summary

No.	Plans	Description of Errata
1.	Doc	IPMI over serial direct connect not supported.
2.	Fix	Serial over LAN and IPMI over LAN connections may terminate unexpectedly under certain conditions.
3.	Fix	Intermittent beep code 1-5-2-1 when booting with two processors.
4.	Doc	Power supply population errors may not appear in the SEL.
5.	Fix	Fan 5 may report a reading of 0 RPM after the BMC is updated.
6.	Fixed	The BMC may not respond to the IPMI command, <i>Send Message</i> sent via LAN.
7.	Fixed	Fans may take a long time to slow down after fan boosting.
8.	Fixed	System requires ~35 seconds after AC is power applied before the power button responds.
9.	Fix	SEL events for Hot-swap Controller (HSC) may appear after a DC cycle
10.	Fixed	Fans may run faster than expected after exiting BIOS setup.
11.	Fixed	System fault LED may report incorrect status for some events.
12.	Fixed	Fan removal does not generate a SEL event.
13.	Fix	Power supply redundancy state is misleading when only one power supply is installed.
14.	Fix	Hot-swap Controller (HSC) and Local Control Panel (LCP) updates may take a long time
15.	Fixed	Console Redirection Baud Rate Setting auto changing to 19.2K with Serial Over LAN (SOL) active.
16.	Fixed	Serial Over LAN (SOL) unable to redirect DOS output.
17.	No Fix	Password on boot not supported.
18.	Fixed	Intel® Embedded Server RAID Technology II option is not enabled in the initial BIOS release.
19.	Fixed	HSC and BMC versions intermittently not seen in BIOS setup
20.	Fixed	Intel® Server Boards S5000PAL/S5000XAL and Intel® Server System SR1500AL show a "Changes in Hardware or Drivers Detected" error message during WHQL ACPI stress testing.
21.	Fixed	POST LEDs do not turn off after operating system loads.
22.	Fixed	Checkup7.exe (microcode update utility) is not storing microcode in BIOS.
23.	Fixed	Intel® RAID Controller SRCAS144E causes systems to reset multiple times before completing POST.
24.	Fixed	Change Logo Utility does not save modified BIOS capsule files with correct extension.
25.	Fixed	PS/2 keyboards and mice may stop functioning after Red Hat* Enterprise Linux is installed.
26.	Fixed	Failures seen installing to a SATA drive when SATA is set to "Legacy" in BIOS setup.

27.	Fixed	System hangs after disabling onboard video in BIOS setup.
28.	Fixed	The SMBIOS entry point may not be visible under certain hardware configurations.
29.	Fixed	Intel® Embedded Server RAID Technology II and IO module IRQ routing conflict.
30.	No Fix	SuSE* Linux Enterprise Server may not install successfully with Intel® Embedded Server RAID Technology II enabled.
31.	No Fix	Red Hat* Enterprise Linux 4 and BIOS setup display a different L2 cache size for the Quad-Core Intel® Xeon® processor 5300 Series.
32.	Fixed	Change Logo Utility causes BIOS corruption.
33.	Fixed	Microsoft Windows System Event Viewer* may record Error Event with ID 11
34.	Fixed	POST screen may generate "NMI has been received - System Halted" message after the system reboots.
35.	Fixed	Intel® RAID Web Console 2 utility displays "Unexpected Sensor" warning message in Microsoft Windows* operating system.
36.	Fixed	Random drives may go offline when a sixth drive is installed and Intel® Embedded Server RAID Technology II is enabled in the Intel® Server System SR2500ALBRP.
37.	No Fix	Intel recommends enterprise class hard drives for use with Intel® Server Systems.
38.	Fix	Dual Gigabit Expansion Module may not properly reset.
39.	Fixed	SAS drive in a ROMB RAID 5 may drop offline during a reboot in the Intel® Server System SR2500PALLX.
40.	No fix	Intel® Server System SR2500ALLX sixth hard drive filler panel is difficult to remove.
41.	No fix	SUSE* Linux Enterprise Server unable to boot after basic installation.
42.	Fixed	Drives may not be detected or may go offline in the Intel® Server System SR2500ALBRP when operating at SATA 300 MB/s data rate.
43.	No Fix	New versions of BMC firmware with previous versions of BIOS cause system POST failure.
44.	Fixed	Intel® Server System SR2500ALLX may operate louder than expected.
45.	No Fix	Red Hat* Enterprise Linux may report the wrong processor speed.
46.	Fixed	The SuSE* Linux Enterprise Server 10 driver for SAS HW RAID causes unwanted error logs during installation.
47.	Fixed	IERR or thermal trip event reported in System Event Log (SEL) after system power on.
48.	No Fix	USB device generates "The following boot-start or system-start driver(s) failed to load: i8042prt" error message in Windows* operating systems.
49.	No Fix	Microsoft Windows* and Intel® RAID Web Console II report an error when the ASR2500SATAPE kit is used.
50.	No Fix	System may log IERRs when running Red Hat* Enterprise Linux 4, Update 4 on the Intel® Server Board S5000PAL with video driver ati_drv.o 6.5.6.
51.	Fixed	Microsoft Windows* operating system installed without a service pack will display blue screen with BIOS 79 and 81.
52.	Fixed	Sluggish system performance may be experienced with BMC60.
53.	No Fix	Downgrading the firmware of the Integrated RAID (ROMB), Intel® Embedded Server RAID Technology II or SAS may cause system damage.
54.	Fixed	In the Intel® Server Systems SR2500ALLX and SR1550ALSAS, flashing of SAS firmware 1.22 and SAS BIOS 06.16.00 makes hard drive #1 (upper left drive tray) undetected during SAS controller scanning.
55.	Fixed	Microsoft Windows 2003 R2 SP2* may display blue screen during an operating system boot or shutdown with a specific version of Intel® I/OAT driver.
56.	Fix	Server System Event Log (SEL) time may be one day later than BIOS time after entering year 2008.
57.	Fix	Performance Power Management Error in Microsoft Windows Server 2008*.
58.	Fixed	Midplane2 hardware RAID produces unexpected beep sounds during system POST.
59.	Fixed	Platform Confidence Test (PCT) fails with BIOS 88 and later version.
60.	Fix	USB mouse may hang in BIOS 94 RAID Console.

61.	No Fix	PCI IBIST Error with BIOS84.
62.	Fix	System may hang during login or Shutdown.
63.	Fixed	Hard Disks are Difficult to Install in Intel® Server System SR2500AL and Intel® Server Chassis SR2500.
64.	Fix	System May not Boot After Multiple DC power Cycles with BIOS Revision R0098.
65.	Fix	System will not skip CD/DVD drive with BIOS Revision R0098 when RMM2 installed.
66.	Fixed	Please use AXXMINIDIMM512 as the replacement solution for AXXMINIDIMM which is EOLed.
67.	No Fix	Minus “year” number to go past “2000” at BIOS “system date” set up interface will cause the server system to hang.
68.	No Fix	Please use AXXMINIDIMM512 as the replacement solution for AXXMINIDIMM which is EOLed.
69.	TBD	The Serial Port Console Redirection displays the Adaptec® 5805 RAID Configuration Utility incorrectly

Table 2. Documentation Changes

No.	Plans	Document Name	Description of Documentation Change
1.	Fixed	<i>Intel® Server Board S5000PAL/S5000XAL Technical Product Specification Rev. 1.1</i>	The SMBUS block diagram (Figure #16) as provided in Rev 1.1 of the <i>Intel® Server Board S5000PAL/S5000XAL TPS</i> requires changes to accurately reflect production hardware design.
2.	Fixed	<i>Intel® Server Board S5000PAL/S5000XAL Technical Product Specification Rev. 1.1</i>	The power block diagram (Figure #25) as provided in Rev 1.1 of the <i>Intel® Server Board S5000PAL/S5000XAL TPS</i> does not reflect final production level baseboard design.
3.	Fix	<i>Intel® Server System SR2500AL Technical Product Specification Rev. 1.0</i>	SAS/SAS RAID mid-plane board (Figure #22) as provided in Rev.1.0 of the <i>Intel® Server System SR2500AL TPS</i> should swap the descriptions of items A and K.
4.	Fix	<i>Intel® Server Board S5000PAL Quick Reference Label</i>	The front panel pin-out on the <i>Intel® Server Board S5000PAL Quick Reference Label</i> is incorrect.

The following sections provide in-depth descriptions of each erratum/documentation change indicated in Tables 1 and 2. The errata and documentation change numbers referenced in the following sections correspond to the numbers in Tables 1 and 2.

Errata

1. IPMI over serial direct connect not supported

Problem	Dual-Core Intel® Xeon® processor 5000 sequence-based server boards list support for IPMI access via serial direct connect. Serial access to the BMC is not supported at this time.
Implication	Users should use the IPMI over LAN interface to connect to the BMC. Note: This only affects serial and terminal mode access to the BMC; this does not affect BIOS console redirection and operating system redirection via serial port.
Status	This erratum may be fixed in a future firmware revision and hardware revision.
Workaround	None.

2. Serial over LAN and IPMI over LAN connections may terminate unexpectedly under certain conditions

Problem	During an active serial over LAN connection or an active IPMI over LAN connection to the BMC, the connection may be intermittently lost during a DC cycle or reset.
Implication	The user's connection may be lost and the user must reconnect to the session.
Status	This erratum may be fixed in a future firmware revision.
Workaround	None.

3. Intermittent beep code 1-5-2-1 when booting with two processors

Problem	During POST, if two processors are installed, the system may pause at POST code 0x13 (SMM Initialization). This may result in a 1-5-2-1 beep code and a processor event in the System Event Log (SEL).
Implication	The system may log erroneous errors in the SEL or via beep code, and under some conditions, the system may halt at 0x13 and require an AC cycle.
Status	This erratum is fixed in BMC release 47 and later releases.
Workaround	If an error is encountered, AC cycle the system and the system should run normally.

4. Power supply population errors may not display in the SEL

Problem	The BMC does not give any indication if a single power supply is improperly installed in a redundant chassis.
Implication	Some chassis require power supplies to be installed in specific slots if a single power supply is installed.
Status	This erratum may be fixed in a future firmware revision.
Workaround	None.

5. Fan 5 may report a reading of 0 RPM after the BMC is updated

Problem	After a BMC update, fan 5 may not return an accurate reading until AC power is cycled.
Implication	Intel® System Management Software and other software may display a reading of 0 RPM for this sensor. The BMC may respond as though this fan has failed and fan redundancy is lost. This causes the system fault LED and fan status LED to indicate a failure for this sensor. In addition, the fans will run in a high speed “boost” state.
Status	This erratum may be fixed in a future firmware revision.
Workaround	AC cycle the system again and the system should run normally.

6. The BMC may not respond to the IPMI command, Send Message sent via LAN

Problem	The BMC may not respond correctly to a <i>Send Message</i> command from the LAN channel to the IPMB channel. This issue only affects an IPMI 2.0 based RMCP+ session not an IPMI 1.5 based RMCP session.
Implication	Remote IPMI over LAN software cannot forward commands to the IPMB bus.
Status	This erratum is fixed in BMC release 50 and later releases.
Workaround	Software developers should use IPMI 1.5 based sessions to bridge commands to the IPMB channel.

7. Fans may take a long time to slow down after fan boosting

Problem	System fans that “boost” due to an increased processor temperature may not return to normal speed immediately after the processor temperature returns to normal.
Implication	If the system fans boost due to a high processor temperature, the BMC does not restore the fans to a normal speed until a similar amount of time spent in a boosted state passes. For example, if a high processor temperature caused the fans to boost for five minutes, the fans would not return to normal until five minutes after the processor temperature returned to normal.
Status	This erratum is fixed in BMC release 59 and later releases.
Workaround	The fans will return to normal speed over time.

8. System requires ~35 seconds after AC power is applied before the power button responds

Problem	The BMC requires approximately 35 seconds to fully initialize the system after an AC cycle before the system can be powered on.
Implication	After an AC cycle, a user must wait approximately 35 seconds before the power button responds. The BMC causes the front panel LED to blink in an alternating amber/green pattern while the BMC initialization is in progress. Users should wait until the LED stops blinking in this pattern before pressing the power button.
Status	This erratum is fixed in BMC release 50 and later releases.
Workaround	None.

9. SEL events for Hot-swap Controller (HSC) may appear after a DC cycle

Problem	The HSC may log critical and non-critical temperature events in the SEL after a DC cycle.
Implication	The SEL events are “deassertion” events, which are not an indication of a problem with the system. Users can ignore these events as they are not errors or an indication of a problem in the system.
Status	This erratum will be fixed in a future HSC firmware revision.
Workaround	None.

10. Fans may run faster than expected after exiting BIOS setup

Problem	Some system fans may run faster after exiting the BIOS setup using the “Save and Exit” option.
Implication	The system may generate more fan noise than normal.
Status	This erratum is fixed in BMC release 59 and later releases.
Workaround	The system must be AC cycled or allowed to boot to the operating system and then reset to restore fans to their normal speeds.

11. System fault LED may report incorrect status for some events

Problem	The system fault LED may report incorrect status for some events. The proper LED state is described in the server board TPS, but some events may not reflect the states described in the TPS.
Implication	The user may receive an incorrect indication via the system fault LED. The user should verify the system state by looking at the SEL.
Status	This erratum is fixed in BMC release 59 and later releases.
Workaround	None.

12. Fan removal does not generate a SEL event

Problem	Fan removal does not trigger a fan failure event.
Implication	Simulating a fan failure by fan removal does not work.
Status	This erratum is fixed in BMC release 59 and later releases.
Workaround	None.

13. Power supply redundancy state is misleading when only one power supply is installed

Problem	If a single power supply is installed in a chassis that supports redundant power supplies, the BMC indicates the power supply redundancy state as “redundant”.
Implication	In a single power supply configuration, the redundancy sensor should be ignored. Redundant chassis with fully redundant power supplies accurately reflect the redundancy status.
Status	This erratum may be fixed in a future firmware revision.
Workaround	None.

14. Hot-swap Controller (HSC) and Local Control Panel (LCP) updates may take a long time

Problem	The Hot Swap Controller (HSC) and Intel® Local Control Panel (LCP) updates may take a long time. The time to complete each update could exceed 30 minutes.
Implication	Updating HSC and LCP may take a long time.
Status	This erratum may be fixed in a future firmware revision.
Workaround	None.

15. Console Redirection Baud Rate Setting auto changing to 19.2K with Serial Over LAN (SOL) active

Problem	If configuring a SOL connection, the only baud rate allowed is 19.2K. If any other baud rate is selected, the system will always revert back to 19.2K after the DC cycle.
Implication	Users will not be able to configure a SOL connection with a different baud rate for their application.
Status	This erratum is fixed in BIOS release R0045 and later releases.
Workaround	None.

16. Serial Over LAN (SOL) unable to redirect DOS output

Problem	No SOL output displays when booted to DOS. SOL only redirects F2 Setup and POST output.
Implication	Users who require SOL to redirect DOS output cannot use this feature.
Status	This erratum is fixed in BIOS release R0054 and later releases.
Workaround	None.

17. Password on boot not supported

Problem	If an admin or user password is defined in the BIOS setup, these will be required before the user can enter the BIOS Setup. There is no option to configure a password during POST before the server boots.
Implication	Users will not be able to create a password and will not require a password on boot.
Status	Intel does not intend to fix this erratum.
Workaround	None.

18. Intel® Embedded Server RAID Technology II option is not enabled in initial BIOS release

Problem	The Intel® Embedded Server RAID Technology II feature that was available in pre-production BIOS releases is not available in the initial production BIOS release. The option ROM that allows configuration of the Intel® Embedded Server RAID Technology II was deemed not ready for production by Intel at this time.
Implication	Users who require or were planning to use this feature in their production environments must wait for a post-launch BIOS release, which will have this feature enabled.
Status	This erratum is fixed in BIOS release R0057 and later releases.
Workaround	Several hardware RAID options are readily available and supported by Intel® Server Boards. Consult the product <i>Tested Hardware and Operating System List</i> for a variety of hardware options. No workarounds for the Intel® Embedded Server RAID Technology II are available.

19. HSC and BMC versions intermittently not seen in BIOS setup

Problem	BMC and HSC revision information is intermittently missing from the BIOS setup.
---------	---

Implication	HSC and BMC information is not easily found.
Status	This erratum is fixed in BIOS release R0057 and later releases.
Workaround	Users must use the DOS utility, "fwpiaupd.exe" to probe and get the backplane HSC information. Boot to DOS and using the fwpiaupd.exe utility, that is used to flash the BMC and HSC code onto the server system, enter the following command

```
fwpiaupd -i -address={c0, c2}
```

where c0 is the primary backplane address and c2 is the secondary backplane address. This provides you with the operational code revision for the HSC on each backplane.

To retrieve the BMC version information, use the same "fwpiaupdt.exe" utility with the following command:

```
fwpiaupdt -i -address=20
```

20. Intel® Server Boards S5000PAL/S5000XAL and Intel® Server System SR1500AL show a "Changes in Hardware or Drivers Detected" error message during WHQL ACPI stress testing

Problem	While running Microsoft Windows Hardware Compatibility Test (HCT)* 12.1 ACPI stress device I/O or any HCT test that needs to reboot, the system displays the following error message: "Changes in Hardware or Drivers Detected".
Implication	This message may prevent users from receiving Microsoft WHQL* certification.
Status	This erratum is fixed in BIOS release R0045 and later releases.
Workaround	If the system is shut down and restarted (rather than rebooted) between tests, the error does not appear.

21. POST LEDs do not turn off after operating system loads

Problem	The POST Code LEDs at the rear of the system do not turn off once POST completes and the operating system loads. The POST code LEDs display [Green Red Green Red] at the rear of the system.
Implication	Since the LEDs are lit on the server board, user may believe that that an error occurred.
Status	This erratum is fixed in BIOS release R0057 and later releases.
Workaround	None.

22. Checkup7.exe (microcode update utility) is not storing microcode in BIOS

Problem	The Checkup7.exe utility, which is used to update the processor microcode in the BIOS, is not working properly. The utility says it completes the flash update successfully; however, upon the next reboot, the microcode is not actually present in the BIOS.
Implication	Users cannot update their BIOS with a new processor microcode.
Status	This erratum is fixed in BIOS release R0057 and later releases.
Workaround	Users must update to the latest BIOS revision which includes the latest processor microcode releases. They cannot use this utility to add a microcode patch to the existing BIOS.

23. Intel® RAID Controller SRCAS144E causes systems to reset multiple times before completing POST

Problem	With the Intel® RAID Controller SRCAS144E installed in the system, the system may become caught in a reset loop during POST. The system resets itself four to five times before completing POST. This is seen early in POST within the first few seconds of power on and before video initialization. POST code LEDs show 0x21 "Chipset" Initializing a chipset component.
Implication	POST takes approximately 15-20 seconds longer to complete.
Status	This erratum is fixed in BIOS release R0057 and later releases.
Workaround	Moving the RAID controller into a different slot sometimes resolves this issue. Populating the card in a slower bus (x4 or x8) seems to make this issue appear less frequently.

24. Change Logo Utility does not save modified BIOS capsule files with correct extension

Problem When using the Change Logo Utility to modify a BIOS capsule file and replace the Intel Splash Screen logo with a new one, it fails to save the new capsule file with a .cap extension. The file produced has an .fd extension. The file is the correct capsule file but has the wrong extension.

Implication Users may be confused and believe the utility is not saving the file in the correct format.

Status This erratum is fixed in version 4.16 of the utility.

Workaround When saving the file in the “Save As” dialog box, select Capsule File (*.cap) from the ‘Save as Type’ drop-down box. In the File Name box, type the name of the file with the .cap extension. It is important you include the ‘.cap’ extension in the file name; otherwise, the Change Logo Utility saves the file with the incorrect extension.

If you forget to include the ‘.cap’ in the file name but you selected ‘Capsule File (*.cap)’ in the ‘Save as Type’ drop-down box, you can rename the file from an .fd extension to a .cap extension and this works as well.

25. PS/2 keyboards and mice may stop functioning after Red Hat* Enterprise Linux is installed

Problem After installing Red Hat* Enterprise Linux on a system with BIOS release R0045, the PS/2 keyboard and mouse stop working; however, USB keyboards and mice work.

Implication Users cannot use the Linux operating system if a PS/2 keyboard and mouse are installed.

Status This erratum is fixed in BIOS release R0054 and later releases.

Workaround If the user goes into the BIOS setup and disables port 60/64 emulation, PS/2 keyboards and mice will continue to work. If USB keyboards and mice are used, the user should enable port 60/64 emulation.

26. Failures seen installing to a SATA drive when SATA is set to “Legacy” in the BIOS setup

Problem	If a user has SATA set to “Legacy” in the BIOS setup and tries to install an operating system, the installation may fail.
Implication	Users who require SATA to be configured in legacy mode may not be able to get their operating system to install properly.
Status	This erratum is fixed in BIOS release R0057 and later releases.
Workaround	If possible, leave SATA in enhanced mode. No workaround exists for the legacy mode issue.

27. System hangs after disabling on-board video in the BIOS setup

Problem	After disabling on-board video in the BIOS setup, the system hangs during POST.
Implication	Users cannot disable on-board video via the BIOS setup.
Status	This erratum is fixed in BIOS release R0057 and later releases.
Workaround	Adding in a video controller automatically disables the onboard video. It is not necessary to manually disable the video controller via the BIOS setup. No workaround exists for configurations that do not include video controller support.

28. The SMBIOS entry point may not be visible under certain hardware configurations

Problem	The server BIOS maintains an area in memory to act as an entry point to locate the SMBIOS area. This entry point includes the anchor string “_SM_”, memory pointers and information about the SMBIOS area as required by the SMBIOS specification. This information is dynamically created by the BIOS during POST and is placed in a required memory range between 000F0000h-000FFFFFh. Hardware configurations that require large amounts of memory at POST (option ROM space or I/O configuration space) could fill up this memory range and the SMBIOS entry point cannot be created correctly.
Implication	This problem shows an inability for software to locate the SMBIOS records. This can affect management software and also some Intel provided update utilities, including: BIOS update utilities and FRUSDR update utilities. An error may also appear in the BIOS error manager. Intel update utilities generate an error and abort before performing an update.
Status	This erratum is fixed in BIOS release R0060 and later releases.

Workaround If a specific hardware configuration experiences this issue, remove the add-in PCI and PCI Express* cards to reduce the amount of add-in card resource space used. Perform the system update (BIOS, FRUSDR) and replace the add-in cards when updates are completed.

29. Intel® Embedded Server RAID Technology II and I/O module IRQ routing conflict

Problem If the Intel® Embedded Server RAID Technology II is enabled in the BIOS while an I/O module is installed, the system hangs at the RAID Option ROM on the next reboot due to the RAID device's IRQ not being serviced properly.

Implication The Intel® Embedded Server RAID Technology II option in BIOS cannot be used while an I/O module is installed in the system.

Status This erratum is fixed since BIOS release R0061 and later releases.

Workaround None.

30. SuSE* Linux Enterprise Server may not install successfully with Intel® Embedded Server RAID Technology II enabled

Problem If SuSE* Linux Enterprise Server is being installed with Intel® Embedded Server RAID Technology II enabled, the RAID array may not be detected after the driver is loaded, which results in an installation failure.

Implication The AHCI.o module inside the operating system is loaded prior to the third-party driver and, therefore, may take control of the RAID controller. This results in an installation failure.

Status Users cannot load a third-party RAID driver and the AHCI driver simultaneously in SuSE* Linux Enterprise Server. Doing so may cause installation failures.

Workaround The “brokenmodule-ahci” command can prevent AHCI from loading during installation. At the very first install screen, press F6 to load a driver. In the text tab, type

```
brokenmodules=ahci
```

This allows the installation to complete successfully.

31. Red Hat* Enterprise Linux 4 and BIOS setup display a different L2 cache size for the Quad-Core Intel® Xeon® processor 5300 Series

Problem	In Red Hat* Enterprise Linux 4, the Quad-Core Intel® Xeon® processor 5300 Series L2 cache size is displayed as 4 MB; while in the BIOS setup, the cache size is displayed as 8 MB.
Implication	In the BIOS setup, the system reports the total L2 cache size as 8 MB due to the 4 MB + 4 MB structure of the processor. The Quad-Core Intel® Xeon® processor 5300 Series is similar to a package of two sets, each with a 4 MB L2 cache size. In each set, the two cores share the 4 MB cache. Red Hat* Enterprise Linux 4 views the processor per logical CPU thread. Each logical thread (each set) has access to only 4 MB cache, and Red Hat* Enterprise Linux 4 reports it as such.
Status	The different L2 cache size display is due to the different cache size reporting mechanisms of Red Hat* Enterprise Linux 4 and the BIOS setup, and is not an incorrect display by the operating system.
Workaround	None.

32. Change Logo Utility causes BIOS corruption

Problem	Any board flashed with a version of BIOS release R0064 edited with the Change Logo Utility no longer boots. The board hangs with “Off – Off – Red – Green” shown on the Post Code LEDs at the rear of the board.
Implication	You cannot use the Change Logo utility with BIOS release R0064.
Status	This erratum is fixed in BIOS release R0066 and later releases.
Workaround	None.

33. Microsoft Windows System Event Viewer* may record Error Event with ID 11

Problem	In the Microsoft Windows* operating system, the Event Viewer's System log may record an Error Event. The source for this error event is lsi_sas and the event ID is 11.
Implication	The problem may occur because the controller is sending an unsupported command to the enclosure management device. This error does not affect functionality and you can ignore the error.
Status	This erratum is fixed in Intel® Embedded Server RAID Technology II firmware and/or drivers later than the following revisions: SAS firmware revision – v.01.16.00.00; MPT OpROM revision – v.6.10.00; SAS ESRT2 OpROM revision – v. A.01.10241435I.

Workaround None.

34. After the system reboots, the POST screen may generate "NMI has been received - System Halted" message

Problem After the system reboots, the POST screen may generate "NMI has been received - System Halted" message.

Implication Along with this error, sometimes the "Bus Uncorrectable Error" may also be recorded to the System Event Log (SEL).

Status This erratum is fixed in BIOS release R0066 and later releases.

Workaround Reboot the system again.

35. Intel® RAID Web Console 2 utility displays "Unexpected Sensor" warning message in Microsoft Windows* operating system

Problem The "unexpected sensor" warning message may be displayed in the Intel® RAID Web Console 2 utility; however, there seem to be no functional issues with the system.

Implication This warning message is only seen in Microsoft Windows* operating systems. Previous RAID firmware versions (before v.89) could not support any communication to the Storage Enclosure Processor (SEP) on backplanes. The firmware was modified to support SEP devices, but the backplanes used in the Intel® Server Chassis SR1500, Intel® Server Chassis SR1550, and Intel® Server Chassis SR2500 do not respond as expected to the inquiry command, so the error is generated and captured in the log. This is a harmless message and does not cause any problems with the RAID array or the drives.

Status This warning message is removed from the Intel® RAID Web Console 2's error reporting mechanism since RAID firmware v.4xx and later releases

Workaround None.

36. Random drives may go offline when a sixth drive is installed and Intel® Embedded Server RAID Technology II is enabled in the Intel® Server System SR2500ALBRP

Problem	When a sixth drive is installed and Intel® Embedded Server RAID Technology II is enabled in the Intel® Server System SR2500ALBRP, random drives may go offline. This may result in boot failure of the Intel® Embedded Server RAID Technology II or the operating system.
Implication	This may result in boot failure of the Intel® Embedded Server RAID Technology II or the operating system.
Status	Fixed. This was identified as a documentation issue. The sixth drive backplane insert needs to be cabled directly to the server board. Use the cabling method documented at: http://www.intel.com/support/motherboards/server/sb/CS-025698.htm
Workaround	Not Applicable.

37. Intel recommends enterprise-class hard drives for use with Intel® Server Systems

Problem	Some desktop-class hard disk drives show performance loss and, in some cases, take the drive offline when running in an enterprise environment.
Implication	Desktop drives often lack workload management to lower thermal stresses and have a lower tolerance for the normal rotational vibration found in a server environment. They are not designed to run 24 hours a day, seven days a week and may fail prematurely when installed in a server. To attain best performance and avoid drive failures, Intel recommends using enterprise-class hard drives for server applications.
Status	No fix.
Workaround	None.

38. Dual Gigabit Expansion Module may not properly reset

Problem	In certain conditions, it is possible the Dual Gigabit Expansion Module may not properly reset after a system reset.
Implication	If the expansion module does not properly reset, the module could lose network connectivity and the operating system will not see the Gigabit ports. This was only seen on the Intel® Server System SR1550AL.
Status	This erratum will be fixed in a future revision of the Dual Gigabit Expansion Module.

Workaround If the module is not reset, you can force it to reset by removing and replacing AC power to the system.

39. SAS drive in a ROMB RAID 5 may drop offline during a reboot in the Intel® Server System SR2500PALLX

Problem When five or six drives are inserted and SAS ROMB RAID 5 is configured, drives may drop offline during a system reboot in the Intel® Server System SR2500PALLX.

Implication This only happens with specific drives. Updating the drive's firmware to the latest version should resolve this issue.

Status This erratum is fixed by updating SAS drive firmware.

Workaround None.

40. Intel® Server System SR2500ALLX sixth hard drive filler panel is difficult to remove

Problem It may be difficult to remove the Intel® Server System SR2500ALLX 6th hard drive filler panel.

Implication Certain systems may exhibit this issue. Root cause was found with the manufacturing tooling.

Status No fix.

Workaround Customers who order ASR2500SIXDRV with MM#885929 (TA# D43807-004) will also get a installation guide.

41. SuSE* Linux Enterprise Server unable to boot after basic installation

Problem During SuSE* Linux Enterprise Server installation, if a USB floppy drive is used to load the mass storage driver, SuSE* Linux Enterprise Server might not boot after basic installation.

The following message may display:

```
resume device /dev/sdb1 not found (ignoring)
waiting for device /dev/sdb2 to
appear.....not found -- exiting to
/bin/sh
$
```

Implication During installation, the USB floppy device is recognized as sda, and the mass storage is recognized as sdb. After reboot, the mass storage is now recognized as sda, but SuSE* Linux Enterprise Server still tries to load system files from sdb. To resolve this issue, you must modify the grub menu list file and the fstab file.

Status No Fix.

Workaround <http://www.intel.com/support/motherboards/server/sb/CS-025446.htm> describes this issue and its workaround.

42. Drives may not be detected or may go offline in the Intel® Server System SR2500ALBRP when operating at SATA 3GB/s data rate

Problem In the Intel® Server System SR2500ALBRP with a passive midplane, hard drives may not maintain stable operation at 3GB/s data rate. The problem is known to exist when using the on-board ESB2 controller with any 3GB/s capable drive. The active midplane is not affected.

Implication The drives may not be detected during boot or may go offline during an operating system installation or stress load.

Status The erratum is fixed with the new revision of the passive midplane FALPASMP MM# 901687, TA# D43781-003, PBA# E24192-203 that will improve SATA signal margins.

Workaround Force hard drives to operate at 1.5GB/s data rate. The SATA data rate change does not have a significant impact on hard drive performance as the data rate of 1.5GB/s is still substantially higher than sustained drive media throughput. The active midplane is not affected.

On most drives, the SATA data rate can be forced to 1.5GB/s by installing a jumper on the drive. If jumpering the HDD is not an option, contact your HDD supplier for alternate options.

43. New versions of BMC firmware with previous versions of BIOS cause system POST failure

Problem	In systems updated with newer versions of only the BMC firmware, there is a high failure rate that they can no longer complete POST successfully.
Implication	Any BIOS/BMC/FRU update should adhere to the “SYSTEM FIRMWARE REQUIREMENTS” in the release notes, where the minimum required versions are listed. If the release notes recommendations are not followed, unexpected errors may occur.
Status	If the system is going to be updated by system firmware, always follow SFUP (System Firmware Update Package) to update the BIOS and BMC together. Always update the FRU after the hardware configuration changes (including changing the power supply, processor, and system fans).
Workaround	No.

44. Intel® Server System SR2500ALLX may operate louder than expected

Problem	The Intel® Server System SR2500ALLX may operate louder than expected.
Implication	The abnormal noise is caused by the two unbalanced 60-mm system fans #5 and #6. Using a FRUSDR, which is older than v41, also contributes to the faster fan speed and noise.
Status	FRUSDR v41 and later set the maximum fan speed to 75% of the original maximum value. This change lowers the fan noise and does not break the thermal condition design specification.
Workaround	None.

45. Red Hat* Enterprise Linux may report the wrong processor speed

Problem	In Red Hat* Enterprise Linux, the operating system may report the wrong processor speed. For example, if the processor is 3.0 GHz, the operating system shows it as 3300 MHz.
Implication	This symptom is operating system-related. Although it does not reflect the processor speed correctly, this is only a report; it is harmless to the system and you can ignore it.
Status	Ignore the processor speed in Red Hat* Enterprise Linux.
Workaround	None.

46. The SuSE* Linux Enterprise Server 10 driver for SAS HW RAID causes unwanted error logs during installation

Problem	The SuSE* Linux Enterprise Server 10 driver for SAS HW RAID causes unwanted error logs during installation.
Implication	The error logs are repeatedly displayed on screen if Alt+F4 is pressed during installation. They can also display by typing the <i>dmesg</i> command after the operating system is installed successfully. These are harmless errors you can ignore.
Status	The driver version equal to or later than 00.00.03.09 removes these error logs during installation.
Workaround	None.

47. IERR or thermal trip event reported in System Event Log (SEL) after system power on

Problem	An IERR or thermal trip event may be reported in the System Event Log (SEL) after the system is powered on. The system status LED on the front panel also displays as amber, but the system seems to run normally.
Implication	This is due to an internal communication error induced by the GTL2007 chip on the server board. The GTL2007 chip has an interaction issue with the BMC, and startup times with the processor at power on can cause false CPU IERRs. You can ignore the false error.
Status	A hardware change to the GTL2107 chip will be implemented on future board revisions to fix this issue. See Product Change Notification PCN107725-01 for additional details.
Workaround	A processor retest can make the system status LED go back to a normal state.

48. USB device generates “The following boot-start or system-start driver(s) failed to load: i8042prt” error message in Microsoft Windows* operating systems

Problem If only an USB keyboard and mouse are used, and no PS/2 devices are connected, the following message may be displayed in the pop-up dialog box:

At least one service or driver failed during system startup. Use Event Viewer to examine the event log for details.

Also, the following error message may be recorded in the Microsoft Windows* event log:

The following boot-start or system-start driver(s) failed to load: i8042prt.

Implication This is a harmless warning message, which may occur when only a USB keyboard and mouse are used and no PS/2 devices are connected.

Status This is a harmless error message in Microsoft Windows* operating systems that you can ignore.

Workaround Use a PS/2 keyboard and mouse.

49. Microsoft Windows* and Intel® RAID Web Console II report an error when the ASR2500SATAPE kit is used

Problem In the Intel® Server System SR2500AL with the ASR2500SATAPE SAS/SATA tape drive mounting kit, a pop-up message "Controller ID 0 PHY is bad on enclosure" appears after you log in to Microsoft Windows*. The same message is seen when viewing the RAID log through the Intel® RAID Web Console II. This is a false error with no impact to performance. The error message does not display when booting off the Intel® Deployment Assistant CD and running the Intel® RAID Web Console from the CD.

Implication Users must acknowledge this pop-up window after logging on.

Status No Fix.

Workaround Powering the tape drive via an external source, rather than the ASR2500SATAPE kit, prevents this message from appearing.

50. System may log IERRs when running certain Red Hat* Enterprise Linux versions on the Intel® Server Board S5000PAL with video driver ati_drv.o 6.5.6

Problem	When running certain Red Hat* Enterprise Linux on the Intel® Server Board S5000PAL with video driver ati_drv.o 6.5.6, the System Event Log (SEL) may report an IERR event. Additionally, the keyboard and mouse may not respond until an AC power cycle is applied to reboot the system.
Implication	Stressing the video controller on the Intel® Server Board S5000PAL running RHEL3U8, RHEL4U4, and RHEL4U5 can induce timeout errors caused by the default video driver (ati_drv.o 6.5.6). These errors trigger IERRs, which cause the system to stop responding. You can obtain register dumps if the system is instrumented for NMI.
Status	This erratum is fixed in Red Hat* Enterprise Linux 5 and later releases.
Workaround	Users can load the VESA video driver rather than the ati_drv.o 6.5.6 video driver to prevent IERRs.

51. Microsoft Windows* operating systems installed without a service pack will display blue screen with BIOS 79 and 81

Problem	<p>If a user attempts to install a Microsoft Windows* operating system without an integrated service pack, it will display a blue screen during the installation process if BIOS 79 or BIOS 81 is on the server board. Conversely, if a user upgrades the system BIOS to BIOS 79 or 81 <i>prior</i> to installing the appropriate service pack, the system will display the blue screen. Starting in BIOS 79, support for enhanced sleep states was added. This addition to the BIOS requires that the Microsoft Service Pack* be integrated into the operating system installation process to understand the extended sleep state support.</p> <p>The following is a list of Microsoft* operating systems and required service packs:</p> <ul style="list-style-type: none">• Microsoft Windows 2003*, 32-bit and 64-bit, requires Service Pack 1• Microsoft Windows 2003 SBS* requires Service Pack 1• Microsoft Windows XP*, 32-bit and 64-bit, requires Service Pack 2
Implication	Users cannot install Microsoft Windows* or upgrade the system BIOS to BIOS 79 or BIOS 81 without a service pack integrated into the installation process.
Status	This erratum was fixed in BIOS R0084. Users need to upgrade BIOS to R0084 or a later version, then disable Deep C-state Support in the BIOS setup (Advanced BIOS menu -> Processor sub menu) before installing or booting a Microsoft Windows* operating system without the required service pack.
Workaround	Users need to remain on BIOS 76, use a Microsoft Windows* installation process that includes the service pack integrated into the installation, or install Microsoft Windows* and the required service pack prior to updating to BIOS 79 or 81. Additionally, the R2 release versions of Microsoft Windows* do not exhibit this issue. Use of this version of Microsoft Windows*, if possible, is also another valid workaround.

52. Sluggish system performance may be experienced with BMC 60

Problem	An issue with BMC 60 is causing incorrect interpretation of the user selected Open Loop Thermal Throttling (OLTT) option in the BIOS Setup. The Advanced screen in the BIOS Setup contains OLTT selections for Performance Mode and Acoustic mode. BMC 60 recognizes a Performance Mode selection in the BIOS setup as an Acoustic Mode request. An Acoustic Mode selection in the BIOS setup is being disregarded and fail safe defaults for Fan Profiles are enforced. This misinterpretation can manifest the BIOS/BMC interaction, causing a throttling condition and thus slowing down the system performance significantly.
Implication	Systems set to Performance Mode are incorrectly being configured in Acoustics Mode, which can make the system more susceptible to overheating, especially in 1U chassis or can cause performance degradation due to memory throttling rather than fan boosts being used to cool the memory. Systems being configured to Acoustics Mode in the BIOS are actually being set up in a fail safe state.
Status	This erratum is fixed in BMC 62 and later releases.
Workaround	None.

53. Downgrading the firmware of the Integrated RAID (ROMB), Intel® Embedded Server RAID Technology II, or SAS may cause system damage

Problem	Downgrading the firmware of the Integrated RAID (ROMB), Intel® Embedded Server RAID Technology II, or SAS from the original version to older versions may cause unexpected issues such as break the controller, or make the controller invisible during system POST. The failure could result in permanent damage that cannot be recovered.
Implication	Any downgrade actions of firmware can cause a system breakdown. Intel does not officially support firmware downgrade for any of above situations.
Status	No Fix. Do not downgrade the firmware of the Integrated RAID (ROMB), Intel® Embedded Server RAID Technology II, or SAS.
Workaround	None.

54. In the Intel® Server Systems SR2500ALLX and SR1550ALSAS, flashing of SAS firmware 1.22 and SAS BIOS 06.16.00 makes hard drive #1 (upper left drive tray) undetected during SAS controller scanning

Problem	In the Intel® Server Systems SR2500ALLX and SR1550ALSAS, flashing of SAS firmware 1.22 and SAS BIOS 06.16.00 makes hard drive #1 undetectable during SAS controller scanning.
---------	---

Implication	In either SAS Only Mode or SAS Software RAID, hard drive #1 may be undetected.
Status	This erratum is fixed in updated SAS firmware 1.22, whose package contains version number "2007.12.05".
Workaround	Choose the update package of SAS firmware 1.20 and SAS BIOS 06.14.00. Enter the EFI interface, go to the firmware directory, and run <i>almp_upd.nsh</i> to flash it.

55. Microsoft Windows 2003 R2 SP2* may display blue screen during an operating system boot or shutdown with a specific version of Intel® I/OAT driver

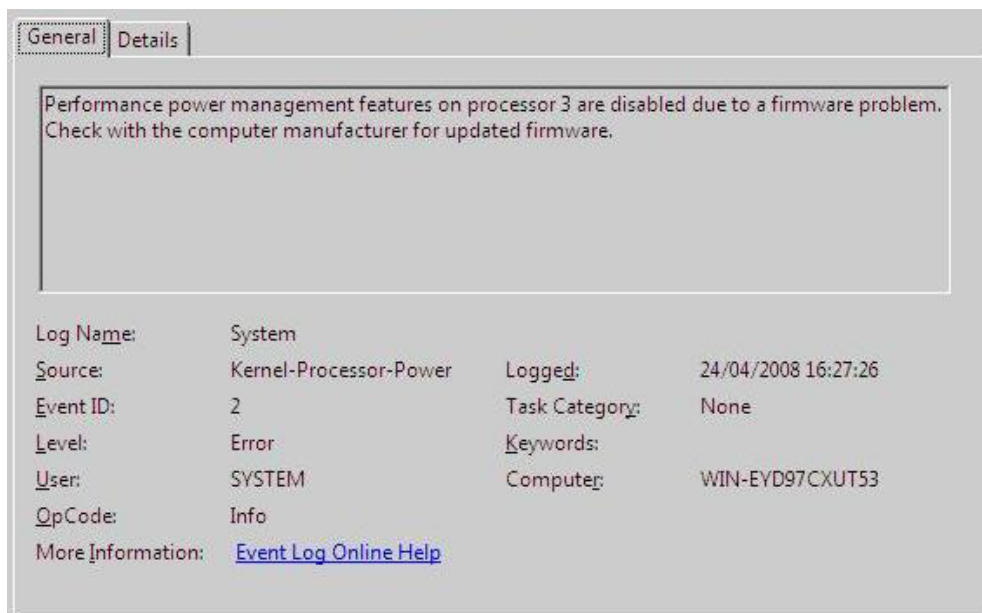
Problem	Microsoft Windows 2003 R2 SP2* may display blue screen during an operating system boot or shutdown. The issue occurs only with ver. 1.2.78.6 of the Intel® I/OAT driver, and only if Intel® I/OAT is enabled in the BIOS Setup. This symptom was seen with the I/OAT driver in NIC driver package ver 12.3.
Implication	In the recent Intel® I/OAT driver, Microsoft* has changed a structure in their NetDMA API. It is not backward-compatible with the previous version of the API.
Status	Fixed in ESB2 LAN Driver package ver 12.4.
Workaround	I/OAT driver version 1.2.66.0, included in NIC driver package ver 12.0, has the previous structure definition for NetDMA 1.0 usage and does not show this symptom.

56. Server System Event Log (SEL) time may be one day later than BIOS time after entering year 2008.

Problem	Server System Event Log (SEL) time may be one day later than the BIOS time after entering year 2008.
Implication	BIOS version 85 or even an earlier version may produce this erratum.
Status	Will be fixed in a future BIOS release.
Workaround	None.

57. Performance Power Management Error in Microsoft Windows Server 2008*

Problem	If you are use any Intel® Xeon® Processor of the 5300 or the 5400 series in the Intel® S5000PAL Server Board and install Microsoft Windows Server 2008* on the system, you may encounter the following error in the Windows* event log:
---------	---



The Event Error is related to a change in Microsoft's validation and logging of supported P-States for a processor. The wording of the error that is displayed is misleading. There is no performance impact. Microsoft logs the error because the BIOS has a default PSS object (P-State info) in the ACPI space for these processors. Basically, this default PSS object indicates no P-State is supported. However, Microsoft Windows Vista* and Microsoft Windows Server 2008* have changed their interpretation of this table.

Implication	BIOS version 88 or even an earlier version may produce this erratum.
-------------	--

Status This erratum will be fixed in a future BIOS release.

Workaround None.

58. Midplane2 hardware RAID produces unexpected beep sounds during system POST

Problem In the hardware RAID mode, midplane 2 produces unexpected beep sounds during system POST. These beeps do not match any designed POST error beep codes of any Intel® Server Board S5000PAL-based server systems. These beeps do not impact customer usage.

Implication The impacted Midplane2 PBA is E14273-202 with firmware version 1.20.22-0495 or an earlier version.

Status This erratum is fixed in BIOS 94.

Workaround None.

59. Platform Confidence Test (PCT) fails with BIOS 89/91 on Intel® Server Board S5000PAL/S5000XAL

Problem Customer may experience problems when they run PCT on Intel® Server Board S5000PSL, Intel® Server Board S5000PAL, Intel® Server Board S5000VSA, Intel® Server Board S5000VCL, and Intel® Workstation Board S5000XVN. There are two types of test options when a customer runs a PCT test: Quick Test, and Comprehensive Test. The customer may see the following behavior during a PCT test.

Quick Test	***ERROR T.EXE Unknown error:MSDRAM64.EXE Standard Error Code = 01300005
Comprehensive Test	System hung at Probing ICH

This issue occurs when these boards are loaded with BIOS 89 or 91/91.6.

Status This erratum is fixed in BIOS 94

Workaround This issue is caused by the incompatibility between the BIOS and PCT; it does not impact system stability or performance. Customer can ignore this issue or customer can roll back to BIOS 85 to run the PCT.

60. USB mouse may hang in BIOS 94 RAID Console

Problem USB mouse may hang when user press Ctrl+G during system booting period to enter the BIOS RAID Console. This may be observed with BIOS 94.

Implication BIOS 94 may produce this erratum.

Status	This erratum will be fixed in a future BIOS release.
Workaround	Customer can still use PS/2 mouse. Alternatively, the customer can boot into BIOS, select the “Advanced” tab, select “USB Configuraiton”, and then enable “Port 60/64 Emulation” to make the USB mouse work.

61. PCI IBIST Error with BIOS 84

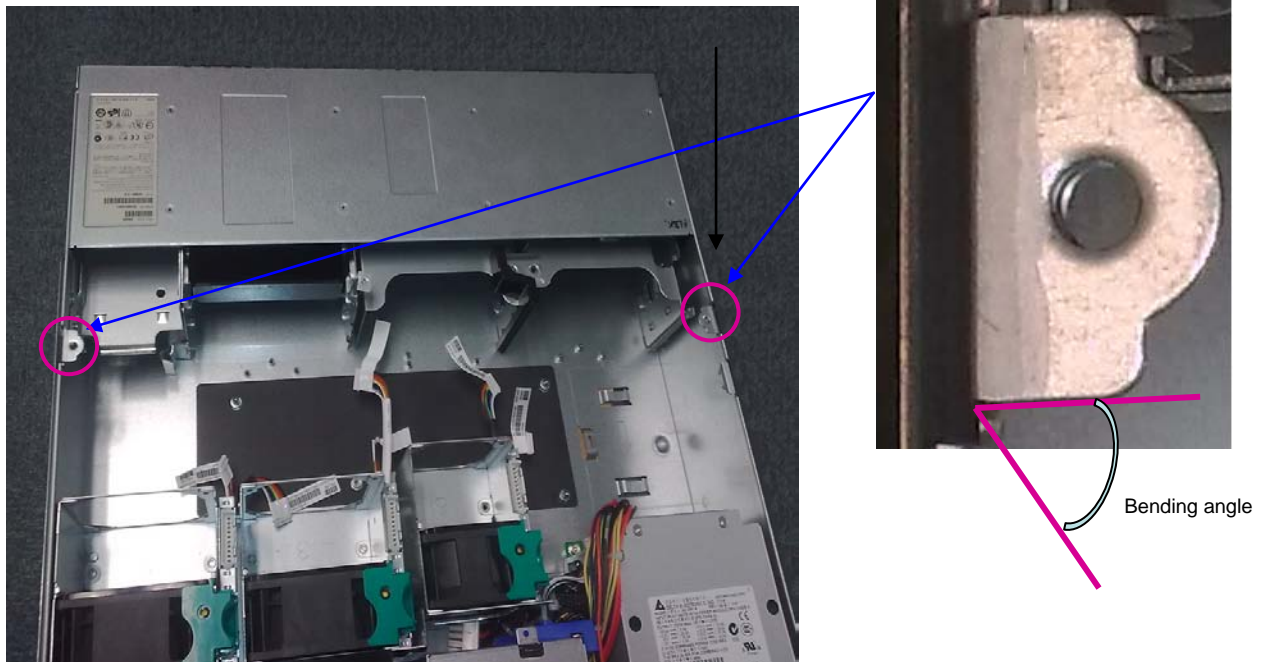
Problem	If customers use add-in RAID cards, such as Adaptec 3805 and LSI Megaraid 8708ELP, they may get PCI Express* IBIST errors, and BMC may show “Critical Interrupt /PCIe Link7 (#0xA Bus Uncorrectable Error. Asserted Event.)” in System Event Log.
Implication	BIOS 84 or later may produce this erratum.
Status	This erratum will not be fixed.
Workaround	If customers see this erratum, customers can do a CMOS clear as an effective workaround.

62. System May Hang during Login or Shutdown

Problem	Installing the Intel® PRO/1000 PT Quad Port Low Profile Server Adapter (Model # EXPI9404PTL) may hang the system at the login screen or when shutting down. This has been reported with Microsoft Windows Server 2008*.
Status	This erratum will be fixed in a future BIOS release.
Workaround	None.

63. Hard Disks Are Difficult to Install in Intel® Server System SR2500AL and Intel® Server Chassis SR2500

Problem	Customers may find it difficult to properly and fully install the hard drives into the hard drive slots. This is because the backplane is about 0.5-1.5 mm vertically higher than the specification.
Status	This erratum has been fixed.
Workaround	Check to ensure the bottom of the backplane touches the chassis base. If there is an obvious gap, check the two bending features (shown below) and make sure the bending angle is no more than 90 degrees. If necessary, use flat-nose pliers to bend these two features down to lower the backplane. Contact your local Intel Customer Service for more information.



64. System May not Boot After Multiple DC power Cycles with BIOS Revision R0098

Problem	If console redirection and Legacy OS redirection are both enabled in BIOS setup, the system may hang early in POST after multiple DC power cycles.
Implication	Users may occasionally experience system hangs during POST after multiple power cycles if console redirection and legacy OS redirection have been configured as enabled in BIOS setup.
Status	This issue may be fixed in a future BIOS revision.
Workaround	A soft system reboot (<CTL> <ALT>) will result in a subsequent successful completion of POST.

65. System will not skip CD/DVD drive with BIOS Revision R0098 when RMM2 installed

Problem	If RMM2 is installed and CD/DVD drive is the first BIOS boot option, the system will not skip CD/DVD drive as expected when there is no bootable media in the drive.
Implication	Users would experience system boot failure when RMM2 is installed and no bootable media in CD/DVD drive.
Status	This issue will be fixed in a future BIOS revision.

Workaround None.

66. Please use AXXMINIDIMM512 as the replacement solution for AXXMINIDIMM which is EOLed

Problem AXXMINIDIMM (MM 881258) was EOLed. Please use AXXMINIDIMM512 (MM#881258) as replacement.

Implication AXXMINIDIMM512 (MM#881258) is on shelf.

Status This problem was fixed.

Workaround None.

67. Minus “year” number to go past “2000” at BIOS “system date” set up interface will cause the server system to hang

Problem Minus “year” number to go past “2000” at BIOS “system date” set up interface will cause the server system to hang. No keyboard, or mouse input is effective. Cold reboot by pushing the power button can bring the server back to work.

Implication All server system SR2500AL, SR1500AL, SR1550AL families and server base board S5000PAL, BB5000XAL families have this problem.

Status Not fixed.

Workaround None.

68. Please do not downgrade BIOS from factory shipped BIOS 101 to any previous version

Problem To support new on-board video OPROM chip, factory ships BIOS 101 for all post change base boards and server systems. All previous BIOS cannot work with post change boards and server systems. BIOS 101 can support all post change and pre change boards and server systems.

Implication Products Affected/Intel Ordering Codes:

Pre Change Product Code	Pre Change MM#	Pre Change TA	Pre Change PBA	Post Change TA	Post Change PBA
BB5000PALR	900375	E51575-103	E50232-102	E51575-104	E50232-103
BB5000XALR	900396	E51577-103	E50387-102	E51577-104	E50387-103
S5000PALR	902749	E11675-010	E50232-102	E11675-011	E50232-103

Pre Change Product Code	Pre Change MM#	Pre Change TA	Post Change TA
SR1500ALR	900350	D99976-020	D99976-021
SR1500ALSASR	900351	E10101-016	E10101-017

Pre Change Product Code	Pre Change MM#	Pre Change TA	Post Change TA
SR1500ALSASRNA	900352	E10101-016	E10101-017
SR1500ALRNA	900353	D99976-020	D99976-021
SR2500ALBRPR	900358	E10104-016	E10104-017
SR1550ALR	900369	E10102-017	E10102-018
SR1550ALSASR	900370	E10103-017	E10103-018
SR2500ALLXRNA	900371	E10105-016	E10105-017
SR2500ALBRPRNA	900372	E10104-016	E10104-017
SR1550ALSASRNA	900381	E10103-017	E10103-018
SR1550ALRNA	900397	E10102-017	E10102-018
SR2500ALLXR	900362	E10105-016	E10105-017

Status Not fixed.

Workaround None.

69. The Serial Port Console Redirection displays the Adaptec® 5805 RAID Configuration Utility incorrectly

Problem With Console redirection enabled in S5000PAL/S5000XAL BIOS, the connected remote serial console client gets incorrect console display output when configure the Adaptec® 5805 RAID adapter.

Implication All S5000PAL base boards with BIOS 101 or BIOS 98 are impacted

Status This problem is under investigation

Workaround Configure this RAID adapter through the server . Do not use remote serial console client to configure this RAID adapter.

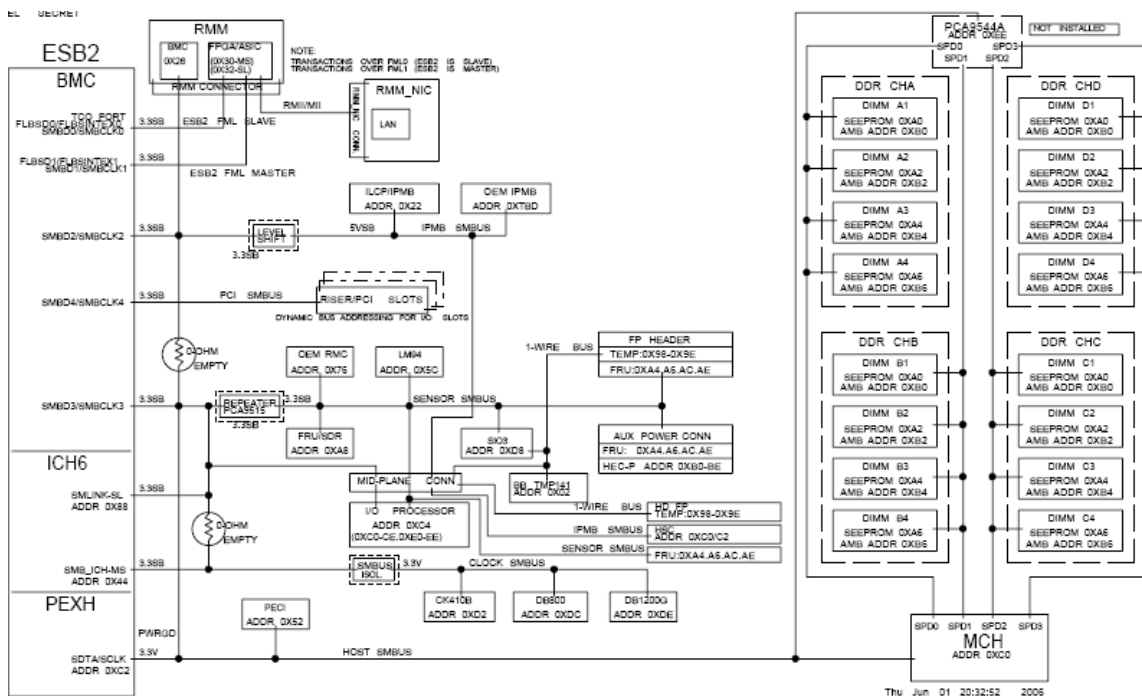
Documentation Changes

1. The SMBUS block diagram (Figure #16) provided in Rev. 1.1 of the Intel® Server Board S5000PAL/S5000XAL TPS requires changes to accurately reflect production hardware design

Problem: The current diagram does not reflect the following board design changes made to the final production-level server board.

- Add PECI controller
- Remove separate HSC connector
- Correct Midplane -> FP SMBus connections and 1-wire temp sensor
- Correct SMBus and 1-wire temp sensor connections to FP connector
- Correct FBDIMM labeling

The corrected diagram is shown:



Implication: Inaccurate understanding of actual server board design with respect to the specified diagram.

Workaround: None.

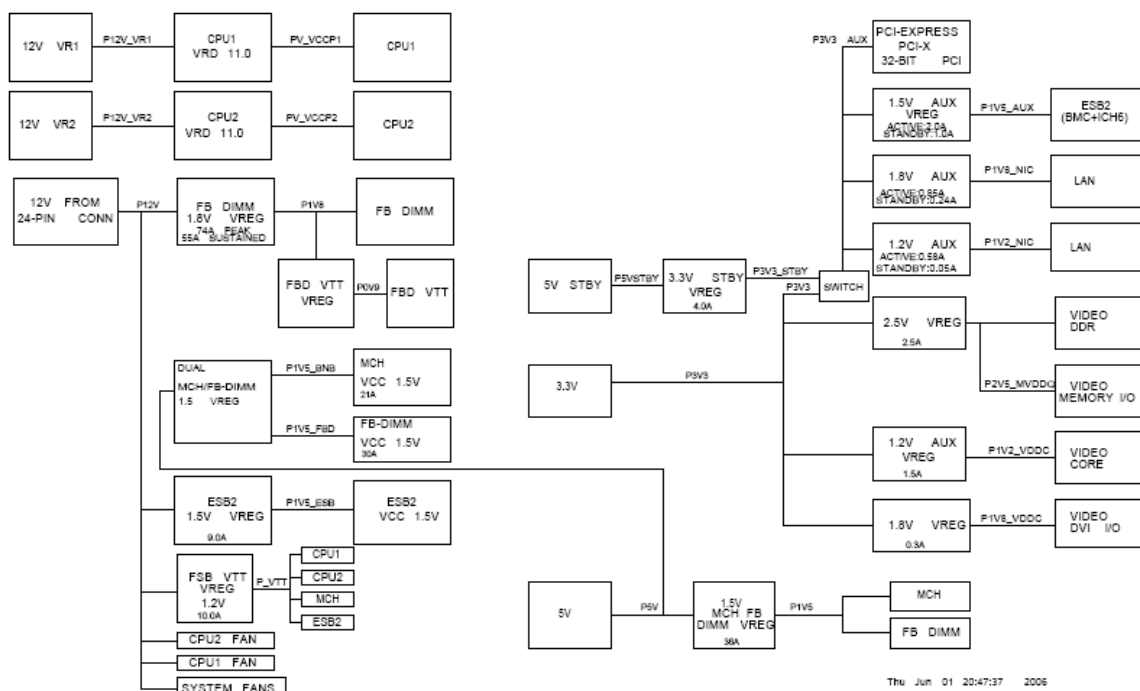
Status: Corrections incorporated into version 1.2 of the *Intel® Server Board S5000PAL Technical Product Specification*.

2. The power block diagram (Figure #25) as provided in Rev. 1.1 of the Intel® Server Board S5000PAL/S5000XAL TPS does not reflect the final, production-level baseboard design

Problem: Current diagram does not reflect changes incorporated into the final production-level server board:

- MCH/FBDIMM 1.5 Vreg moved from 12 V rail to 5 V rail.
- Video Memory Vreg corrected to only one 2.5 V reg. instead of two.
- “ATI” label for Video components changed to generic “Video”.

The corrected diagram is shown:



Implication: Inaccurate understanding of actual server board design with respect to specified diagram.

Workaround: None.

Status: Corrections incorporated into version 1.2 of the *Intel® Server Board S5000PAL Technical Product Specification*.

3. SAS/SAS RAID midplane board (Figure #22) as provided in Rev.1.0 of the Intel® Server System SR2500AL TPS should swap the descriptions of items A and K

Problem: The current diagram swaps the descriptions of items A and K:

- Item A should be the battery connector; it is incorrectly described as the RAID activation key connector.
- Item K should be the RAID activation key connector; it is incorrectly described as the battery connector.

The corrected diagram is shown:

System Board Interconnects

Intel® Server System SR2500AL

The chassis also supports an active SAS / SAS RAID mid-plane. This system board incorporates an LSI* LSI SAS1068 SAS controller onto the board. See Chapter 5 for details describing SAS / SAS RAID support. The following diagram shows the location for each connector found on this board.

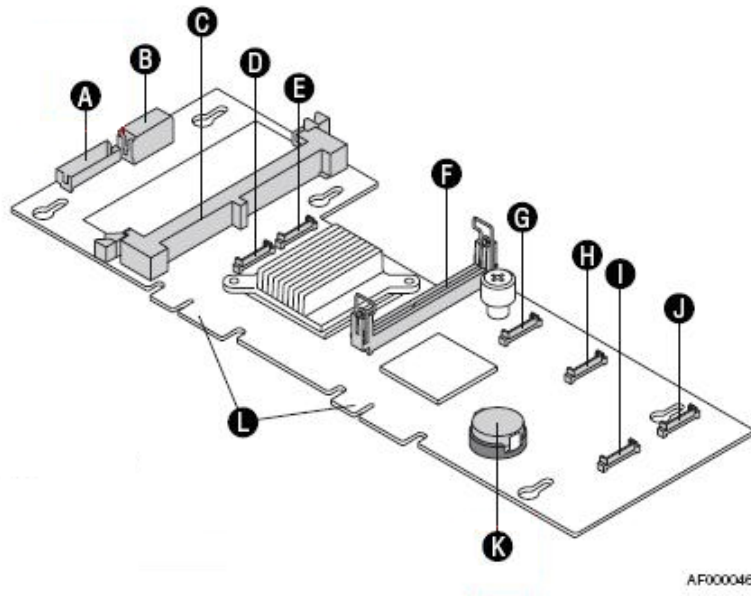


Figure 22. SAS/SAS RAID Mid-plane Board

A	Battery	G	Fan 4 Connector
B	Power Connector	H	Fan 3 Connector
C	Mini-DIMM Connector	I	Fan 1 Connector
D	Fan 6 Connector	J	Fan 2 Connector
E	Fan 5 Connector	K	RAID Activation Key
F	Bridge Board Connector	L	Backplane Connector

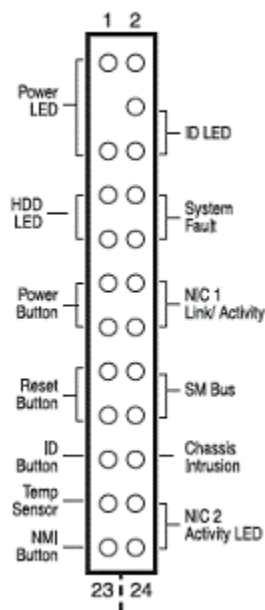
Implication: This is a typo.

Workaround: None.

Status: Corrections will be incorporated into the next version of the *Intel® Server System SR2500AL Technical Product Specification*.

4. Front panel pin-out in the Intel® Server Board S5000PAL Quick Reference Label is incorrect

Problem: The current diagram incorrectly lists a cooling status pin, does not have the temperature sensor listed, and shows incorrect locations for the ID LED. The corrected diagram is shown:



Implication: This is a typo.

Workaround: None.

Status: Corrections will be incorporated into the next version of the label.