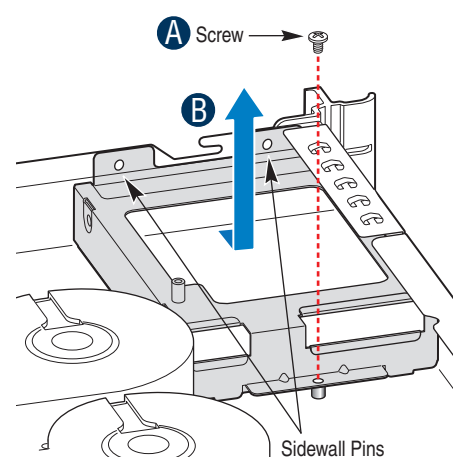
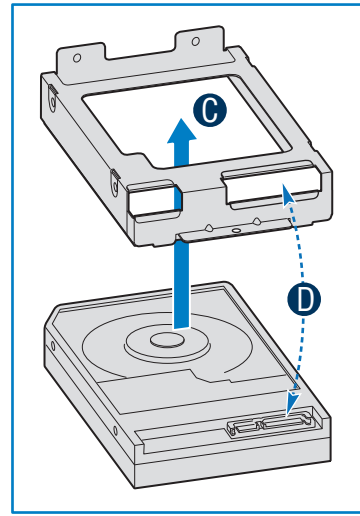


8 Install Hard Drives/Carriers

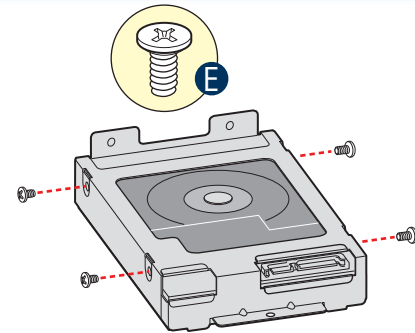
- A Remove the screw securing the drive carrier to the chassis.
- B Slide the carrier away from the two chassis sidewall pins and remove.



Note: Hard drive 1 location is shown above.



- C Insert hard drive into the carrier with the bottom-side of the drive facing up.
- D Make sure connector-end of drive goes into the carrier as shown.

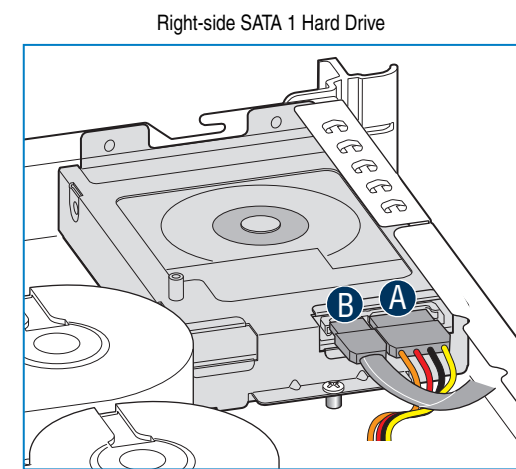
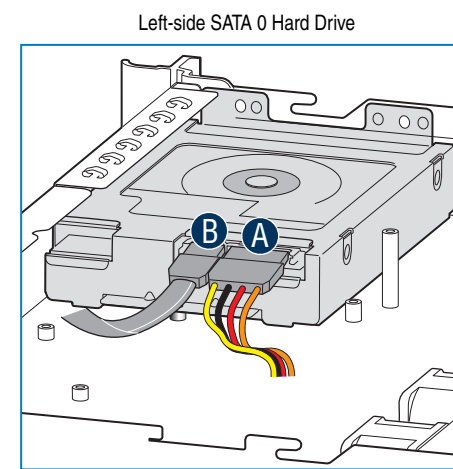
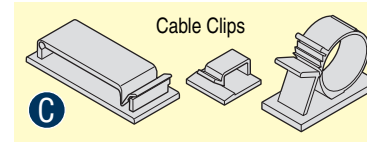


- E Attach the hard drive to the carrier with four screws as shown.
- F Re-install the hard drive/carrier assembly into the chassis.

IMPORTANT NOTE!
For the hard drive 0 location, go to the accessory box for the HDD 0 drive carrier and install using the same procedures outlined above. *Make sure you have completed Step #6 on the front side of this document.*

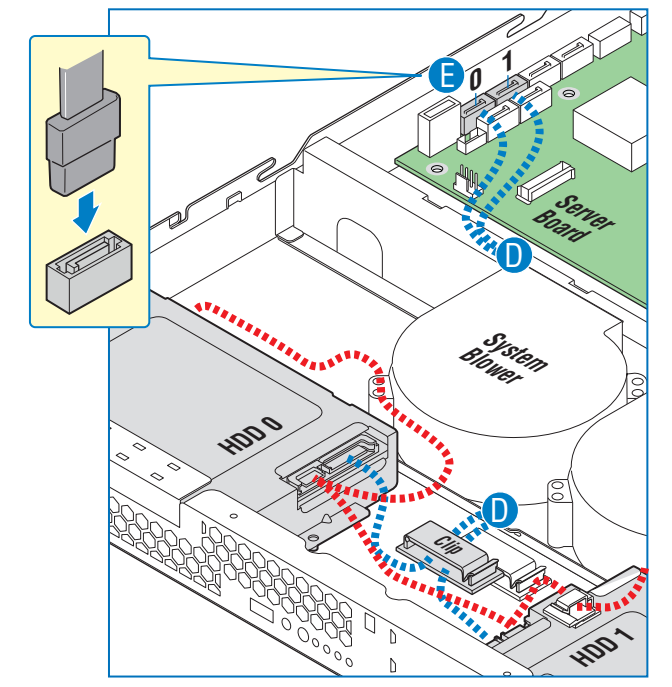
9 Cabling Hard Drives

- A Attach a SATA power cable to each hard drive as shown.
- B Attach a SATA data cable to each hard drive as shown.
- C Use the cable clips provided with your chassis to maintain proper air flow.



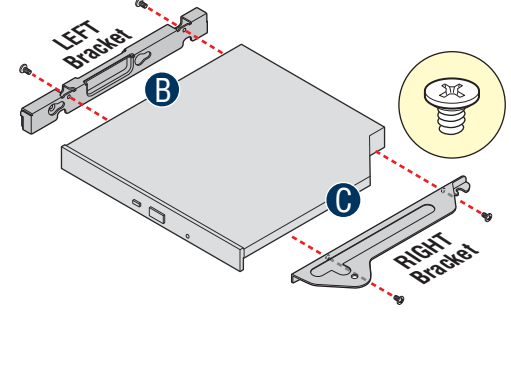
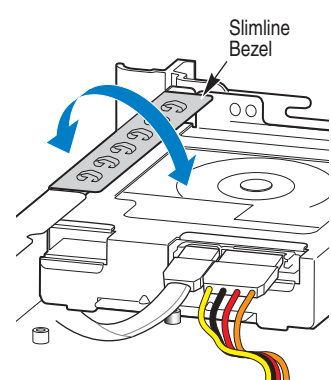
- D Note that SATA cables are factory-routed underneath the system blowers.
- E Attach each SATA data cable to its matching server board SATA connector as shown.

CAUTION! It is critical that you connect the SATA data cables correctly from the hard drives to your server board.
Example: HDD0 to server board SATA0.
Failure to do so may result in data loss.

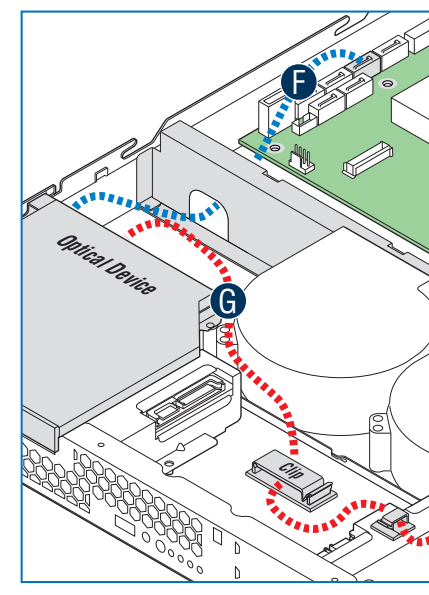
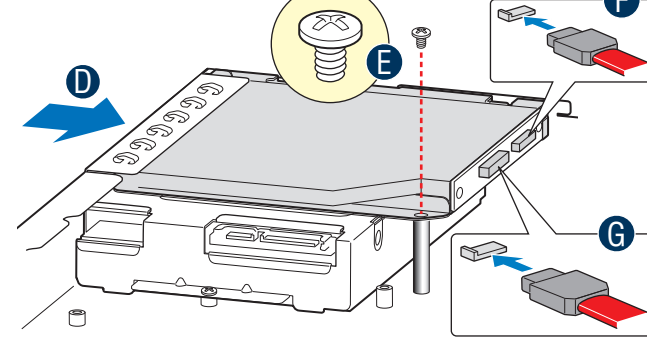


10 Install and Cable Optical Device (optional)

- A Before installing the optical device, you must remove the slimline bezel. Remove by rocking back and forth to break the attach points. *Once removed, this bezel cannot be used again.*
- B Attach the LEFT bracket to the optical device as shown.
- C Attach the RIGHT bracket to the optical device.

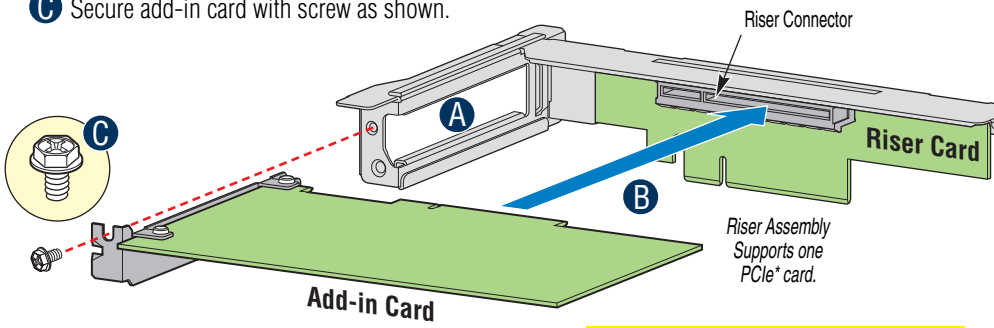


- D Insert optical device assembly into front panel opening.
- E Attach optical device tray to chassis standoff and hard disk drive cage as shown.
- F Connect SATA data cable to optical device and server board SATA connector as shown.
- G Connect SATA power cable.



11 Install PCIe Add-in Card

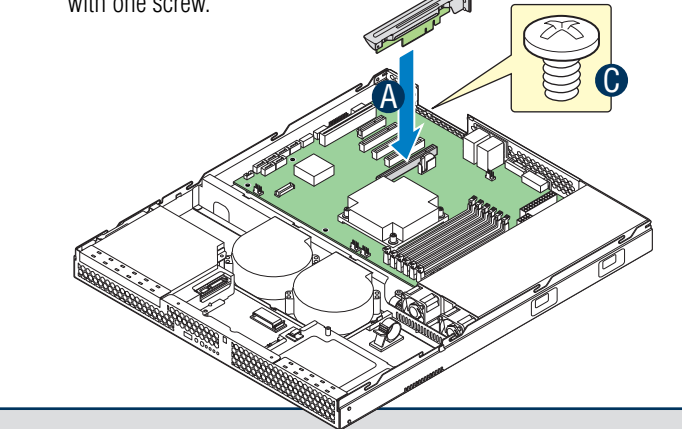
- A Remove filler panel from the add-in card slot.
- B Insert add-in card until it seats in the riser connector.
- C Secure add-in card with screw as shown.



CAUTION! Observe normal ESD precautions when installing add-in cards.

12 Install PCI Add-in Card Riser Assembly

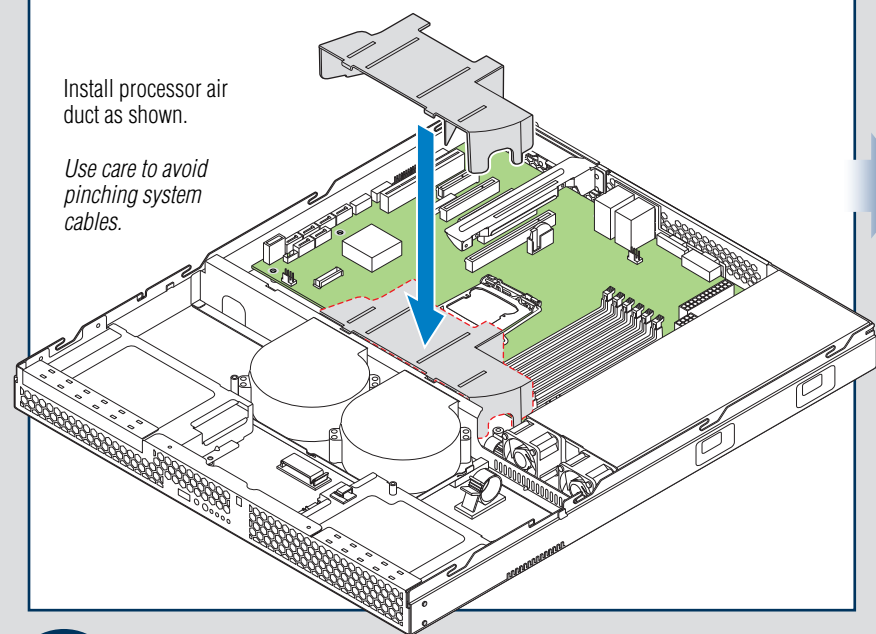
- A Align the riser card with the server board riser socket.
- B Before pressing into place, make sure the tab engages the back panel top edge.
- C Secure the riser assembly with one screw.



13 Install Processor Air Duct

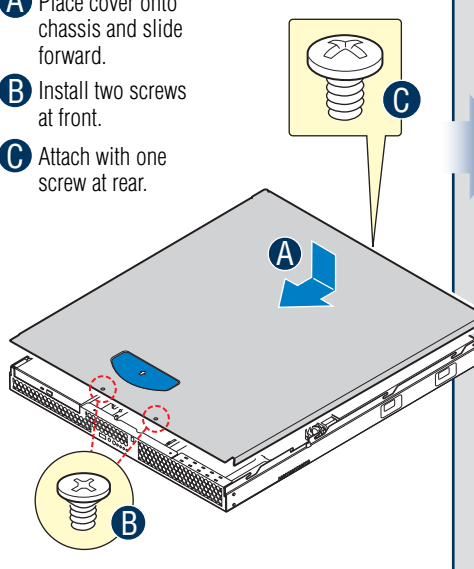
Install processor air duct as shown.

Use care to avoid pinching system cables.

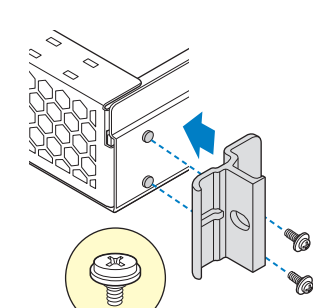


14 Install the Top Cover

- A Place cover onto chassis and slide forward.
- B Install two screws at front.
- C Attach with one screw at rear.



15 Install Rack Handles



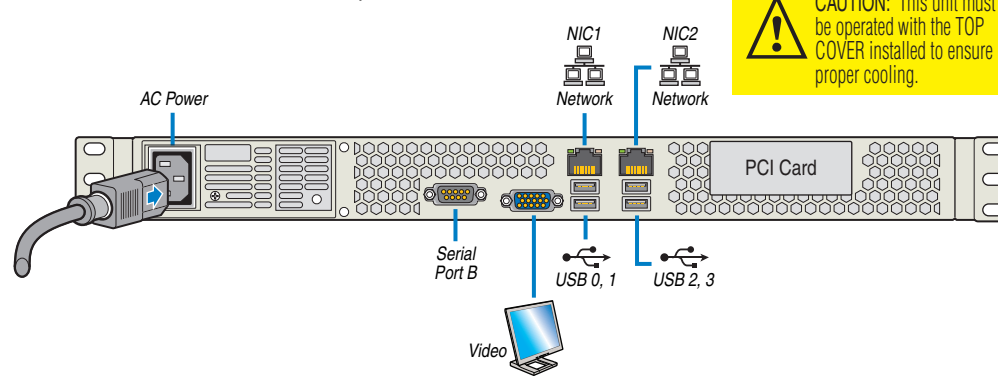
Install Rail Kit (optional)

See the documentation that came with your selected rail kit for installation instructions.

16 Finishing Up

Before installing your operating system, you must finish your system installation and connect back panel I/O connectors and AC power.

- Make sure you have replaced the system cover.
- Connect your keyboard, mouse, video and other I/O cables/devices as shown. *Then connect the AC power cord.*



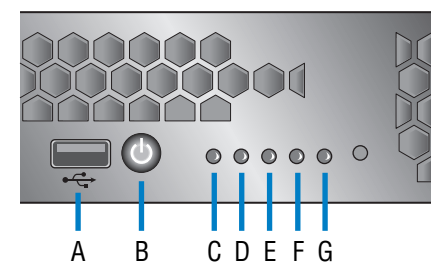
CAUTION! This unit must be operated with the TOP COVER installed to ensure proper cooling.

17 Install Software • BIOS, Drivers, and Operating System Install

- A. **Confirm BIOS Version:** Look on the Server/System Management screen in the BIOS Setup Utility to determine the installed BIOS version. Compare this to the versions at: <http://support.intel.com/support/motherboards/server/s3420g>. If new versions are available, update the BIOS on your server. See the User Guide on the Intel® Server Deployment Toolkit CD for update instructions.
- B. **Configure your RAID Controller:** Use the instructions provided with the RAID controller.
- C. **Install your Operating System:** Use the instructions provided with the RAID controller and with the operating system.
- D. **Install Operating System Drivers:** With the operating system running, insert the Intel® Server Deployment Toolkit CD. If using a Microsoft® Windows® operating system, the Express Installer will autorun and allow you to select the appropriate drivers to install. On other operating systems, browse the CD folders to locate and install the driver files.
- E. **Install Intel® SMaRT Tool (optional):** With the operating system running, insert the Intel® Server Deployment Toolkit CD. The Express Installer will autorun. Click Intel® SMaRT Tool at the left side of the screen. Follow the on-screen instructions. For information about Intel® SMaRT Tool, see <http://developer.intel.com/design/servers/smarttool/index.htm>.

Reference

Front Panel Controls and Indicators (shown with bezel removed)



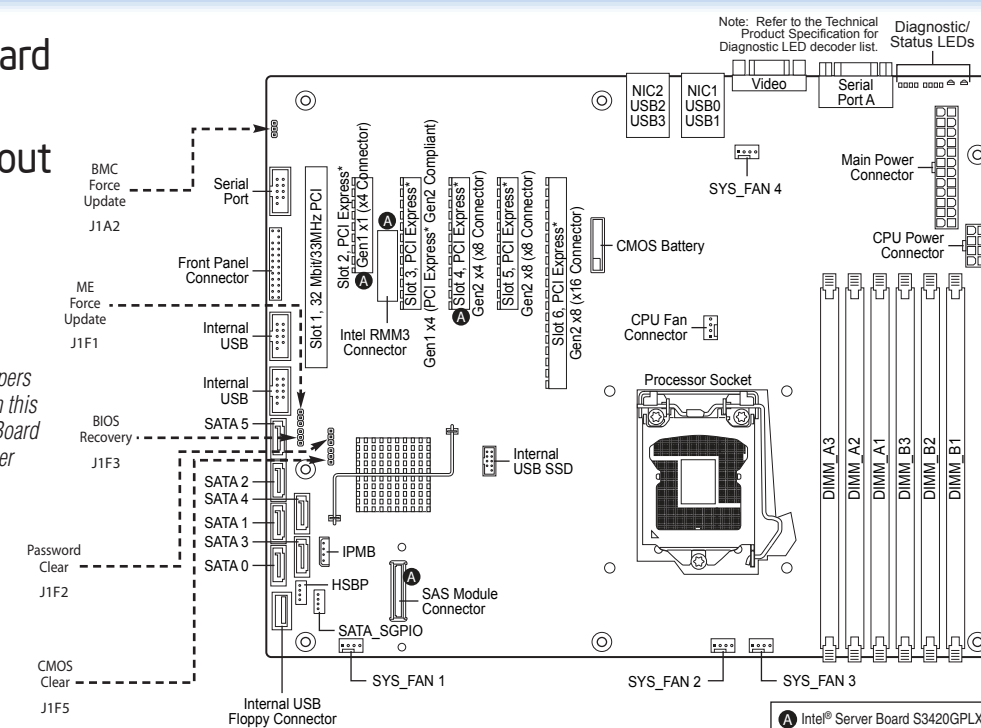
- A USB 2.0 Port
- B Power Button
- C Status LED
- D Power
- E HDD Activity
- F NIC1
- G NIC2

Optional Accessories/Spares and Order Codes	
Bezel (Black)	AHJBEZBLACK
Mount Bracket Kit	AXXBRACKETS
Tool-less, full extension sliding rail kit	AXXHERRAIL
SATA Slim-line DVD	AXXSATADVDR0M
SATA Slim-line DVD rewritable	AXXSATADVDRW0M
Low Profile half-length PCIe2 x8 riser	AHJTPCIERISER
Spare 350-W power supply	FHJT350WPS
Blower Spare Kit	FHJTBLOWER

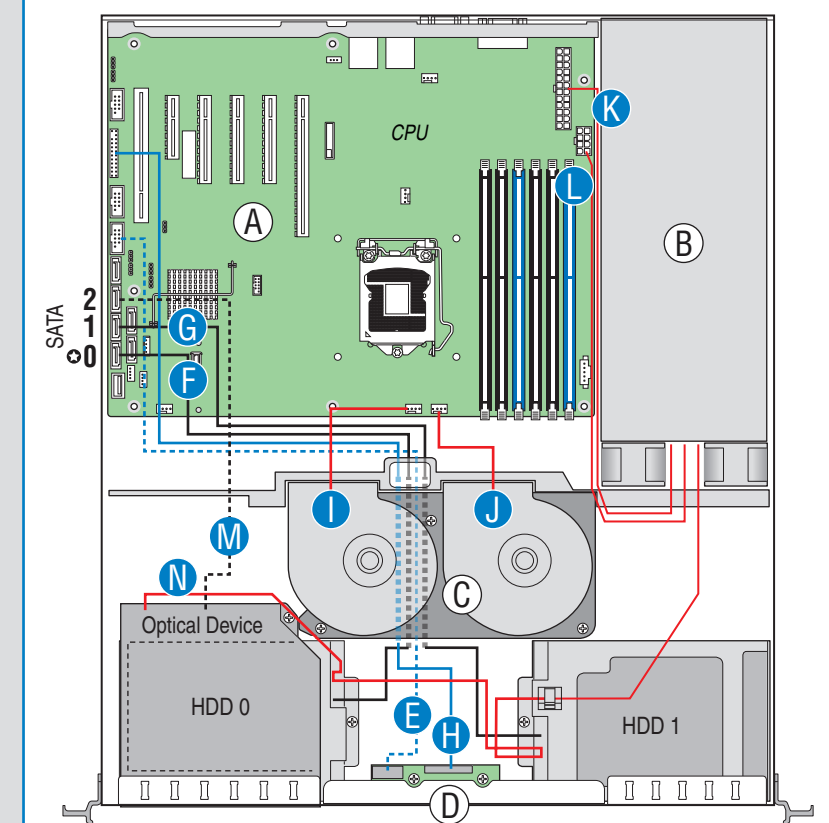
A complete list of accessories and spares can be found at: <http://www.intel.com/go/serverbuilder>

Intel® Server Board S3420GP Component Layout

Note: Not all components, jumpers and connectors are described in this diagram. Refer to your Server Board User's Guide on the Intel® Server Deployment Toolkit CD for additional information.



Platform Cabling Diagram



- A Server Board
- B Power Supply
- C System Blower Fans
- D Front Panel Board
- E Front Panel USB
- F HDD 0 to Server Board SATA 0
- G HDD 1 to Server Board SATA 1
- H Front Panel
- I System Fan Blower Power ... left fan
- J System Fan Blower Power ... right fan
- K Power to Server Board (Main)
- L Power to Server Board (CPU)
- M Optical Device SATA Data Cable
- N Optical Device SATA Power

