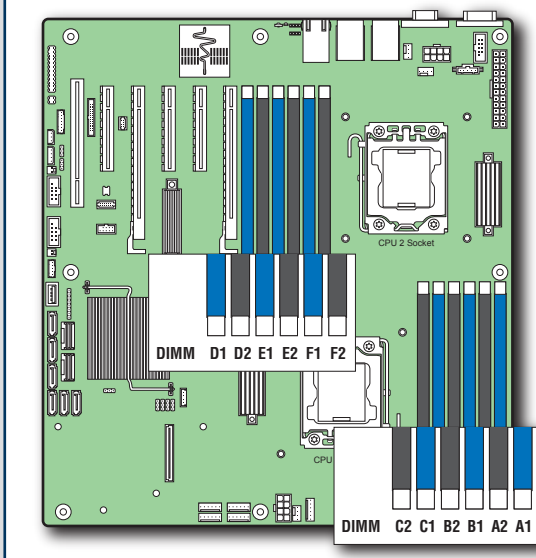


Install DIMM Memory Modules ... continued

Memory Configurations and Population Order:



Memory Type:
Minimum of one 1GB, DDR3
800/1066/1333/1600 MHz ECC
UDIMM/RDIMM/LRDIMM.

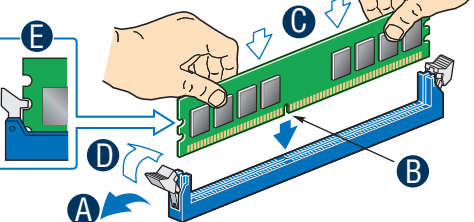
Note: For additional memory configurations, see the Technical Product Specification for Intel® Server Board S2400GP at: <http://www.intel.com/support/motherboards/server>

Memory sizing and configuration is supported only for qualified DIMMs approved by Intel®. For a list of supported memory, see the tested memory list at: <http://serverconfigurator.intel.com/default.aspx>

To Install DIMMs:

CAUTION: Avoid touching contacts when handling or installing DIMMs.

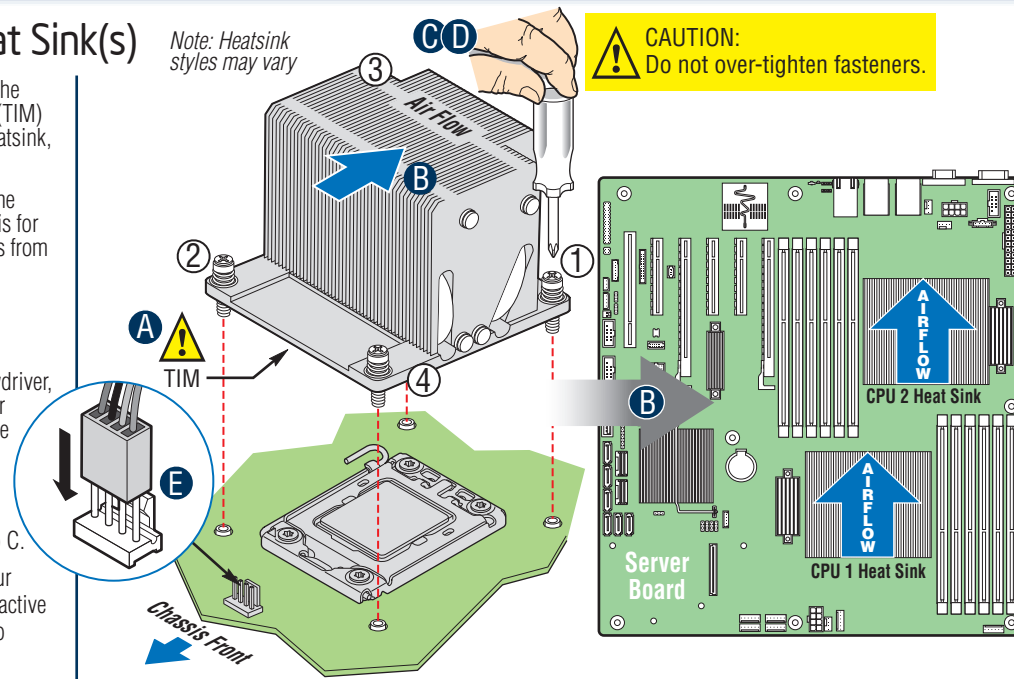
- Open both DIMM socket levers.
- Note location of alignment notch.
- Insert DIMM making sure the connector edge of the DIMM aligns correctly with the slot.
- Push down firmly on the DIMM until it snaps into place and both levers close.
- IMPORTANT!** Visually check that each latch is fully closed and correctly engaged with each DIMM edge slot.



8 Install Heat Sink(s)

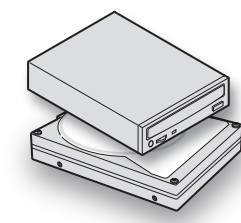
Note: Heatsink styles may vary

- If a protective film covers the thermal interface material (TIM) on the underside of the heatsink, remove the protective film.
- Align the heat sink fins to the front and back of the chassis for correct airflow. Airflow goes from front-to-back of chassis.
- Using a #2 Phillips* screwdriver, finger-tighten each fastener diagonally, according to the white-circled numbers.
- Securely re-tighten each fastener again in the same order as performed in Step C.
- (Optional) Please check your chassis user guide) Attach active heatsink fan power cable to server board as shown.



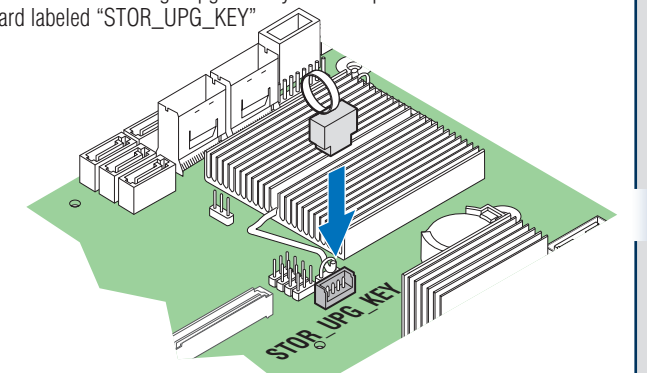
9 Install Optical Drive and HardDrive(s)

See the documentation that came with your server chassis for drive installation.



10 (Optional) Install Intel® Storage Upgrade Key

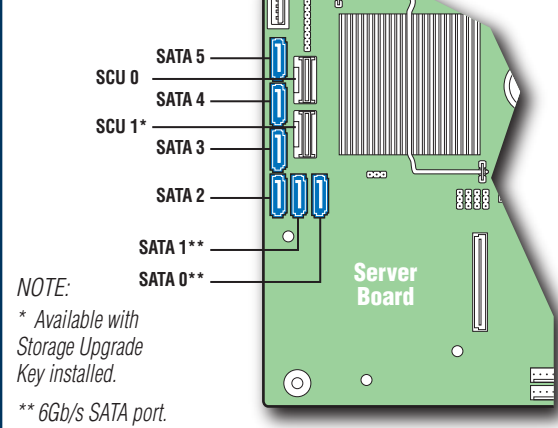
Install the Intel® Storage Upgrade Key onto a 4-pin connector on the server board labeled "STOR_UPG_KEY"



NOTE: The server board is capable of supporting additional chipset embedded SAS and RAID options from the SCU controller when configured with one of several available Intel® RAID C600 Upgrade Keys. See Product Specification for the various of options that different keys support.

11 Connect Hard Drives/Optical Drive to Server Board

Connect SAS/SATA Data Cables to server board here.

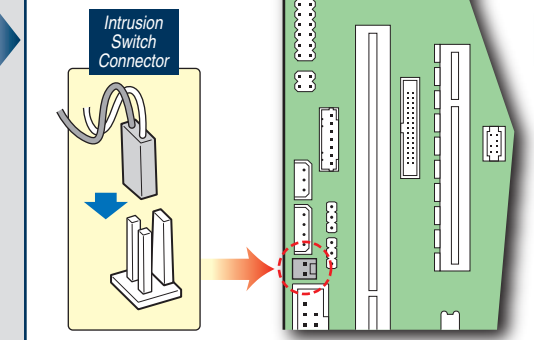


NOTE:

* Available with Storage Upgrade Key installed.
** 6Gb/s SATA port.

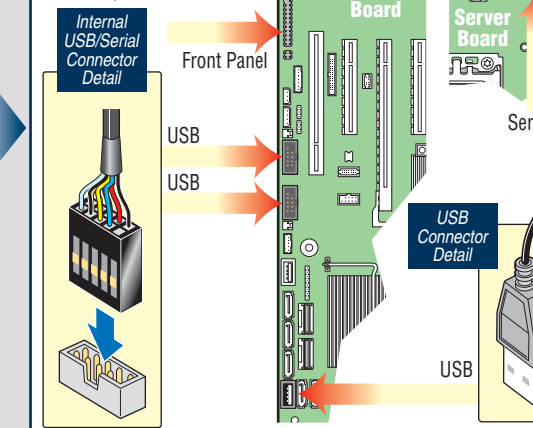
12 Attach Intrusion Switch Cable Accompanying Your Chassis (for Non-Intel Chassis)

Note: For a non-Intel chassis, see your chassis documentation for intrusion switch requirements.



13 Attach Front Panel, Serial, and USB Connections

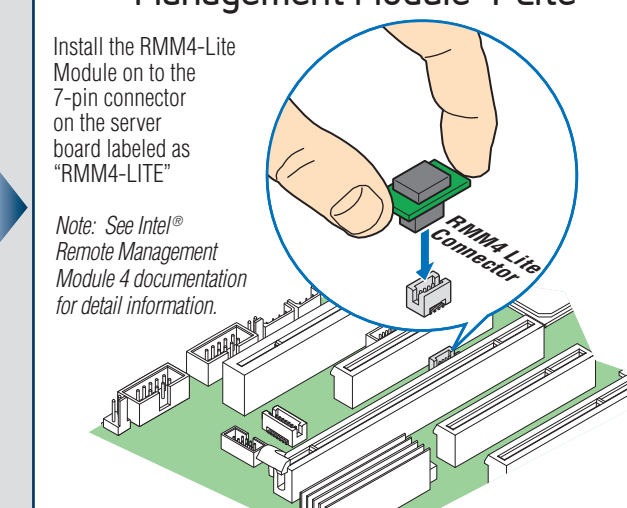
Note: For a non-Intel chassis, see your chassis documentation for intrusion switch requirements.



14a (Optional) Install Intel® Remote Management Module 4-Lite

Install the RMM4-Lite Module onto the 7-pin connector on the server board labeled as "RMM4-LITE"

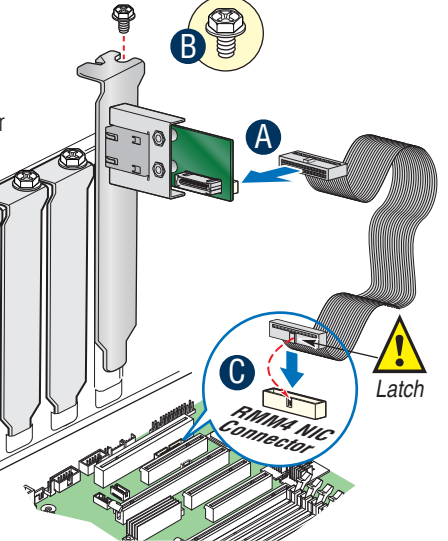
Note: See Intel® Remote Management Module 4 documentation for detail information.



14b (Optional) Install Intel® RMM4 with Dedicated Server Management NIC

- Attach the RMM4 Dedicated Server Management NIC module to the add-in card bracket as shown.
- Install the RMM4 Dedicated Server Management NIC in an add-in card slot near the server board RMM4 header.
- Attach the RMM4 ribbon cable. Make sure each connector end is securely seated.

Note: See your chassis documentation for detail information.



18 Software

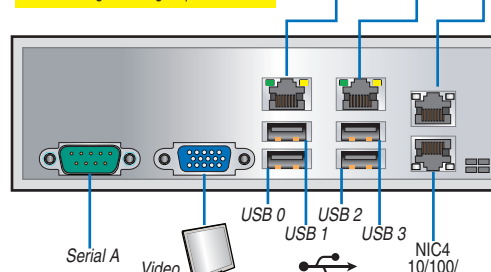
• BIOS, Drivers, and Operating System Installation

- Confirm BIOS Version:** Look on the Server/System Management screen in the BIOS Setup Utility to determine the installed BIOS version. Compare this to the versions at: <http://www.intel.com/support/motherboards/server>. If new versions are available, update the BIOS on your server. See the Technical Product Specification on the Intel® Server Deployment Toolkit CD for update instructions.
- Configure your RAID Controller:** Use the instructions provided with the RAID controller.
- Install your Operating System:** Use the instructions provided with the RAID controller and with the operating system.
- Install Operating System Drivers:** With the operating system running, insert the Intel® Server Deployment Toolkit CD. If using a Microsoft Windows® operating system, the Intel® Deployment Assistant will autoun and allow you to select the appropriate drivers to install. On other operating systems, browse the CD folders to locate and install the driver files.

17 Finishing Up

Before installing your operating system, you must finish your chassis installation, make I/O connections and plug in AC power.

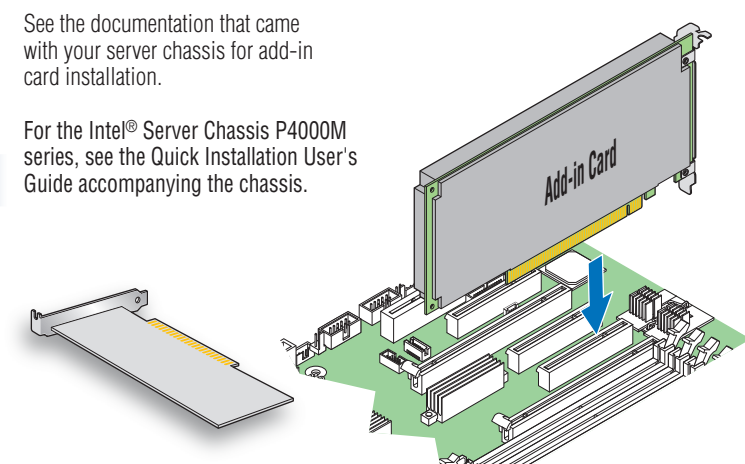
CAUTION: See your chassis documentation for AC power and grounding requirements.



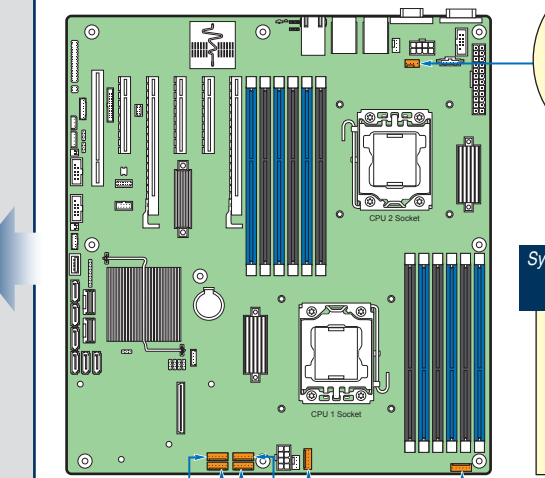
16 Install Add-in Card[s]

See the documentation that came with your server chassis for add-in card installation.

For the Intel® Server Chassis P4000M series, see the Quick Installation User's Guide accompanying the chassis.



15 Chassis Fan Connections



For a non-Intel server chassis, see the documentation accompanying your chassis for specific chassis fan connection requirements. Refer to the 'Making Connections to the Server Board - Quick Reference' section below.

IMPORTANT NOTE: Return to your Intel® Server Chassis Quick Start User's Guide, or your non-Intel chassis documentation to finish installation and configuration of your Intel® Server Board S2400GP.

Return to this document to finish up, including software, BIOS, drivers and operating system installation.

Accessories and Order Codes	
ATX I/O Shield	A0X0T0
Intel® Remote Management Module 4	A0XRMM4
Intel® Remote Management Module 4 Lite	A0XRMM4Lite
Intel® Storage Upgrade Key	RKASAT4R5, RKASAT4B, RKASAT4S, RKASAS4, RKASAS4R5, RKASASR5
Intel® Trusted Platform Module	A0XTPM5

Additional Reference documents available at: <http://www.intel.com/support/motherboards/server>

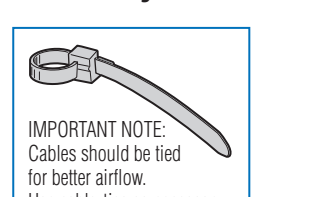
A complete list of accessories and spares can be found at: <http://www.intel.com/support/motherboards/server> (search for the document titled "Spares and Configuration Guide")

Available Documents	
Document/Tool	Content
Technical Product Specification	In-depth technical information
Monthly Specification Update	Technical information and issues update
Spares, Parts List, and Configuration Guide	Supported accessories and spares list
Server Configurator Tool	Tested peripherals and operating systems list Tested memory list Supported processors list
Software and Drivers	Up-to-date firmware, driver and utility information

Additional Reference documents available at: <http://www.intel.com/support/motherboards/server>

- ### Common Problems and Solutions
- For a list of hardware components that have been tested with this system, see: http://www.intel.com/p/en_US/support/server/
- The system does not boot or show video at power-on:
- Check that all processor power connectors are plugged-in. Without these connections, the server cannot boot.
 - Beep code 3 means you have bad memory; replace the faulty DDR3 DIMM(s).
 - Remember, all DIMMs must be:
 - DDR3 800/1066/1333/1600-compliant, 240-pin DIMMs.
 - No mixing of DDR3 RDIMMs and UDIMMs.
 - Installed from first slot of each channel.
 - Install Quad-Rank DIMM from first slot of each channel.
- The system sometimes works, but is exhibiting erratic behavior.
- This is probably the result of using an underrated power supply.

Making Connections to the Server Board Quick Reference



IMPORTANT NOTE: Cables should be tied for better airflow. Use cable-ties as necessary.

Notes:
1. Not all optional connections are shown in this diagram. Refer to the Reference section of this Quick Start User's Guide, your Intel® Server Board Service Guide, and your server chassis documentation for additional connection information.
2. For a non-Intel chassis, see your chassis documentation for server board connection information.

Required Connections		Intel® Server Chassis P4000M
A. CPU 1-2 Power Connector		■
B. Main Power Connector		■
C. Front Panel Header		■

CPU/System Fan Connections		Intel® Server Chassis P4000M
D. System Fan 1 Header	■ With fixed or hot swap fan	■
E. System Fan 2 Header	■ With fixed or hot swap fan	■
F. System Fan 3 Header	■ With hot swap fan	■
G. System Fan 4 Header	■ With hot swap fan	■
H. System Fan 5 Header	■ With hot swap fan	■
I. System Fan 6 Header	■ With hot swap fan	■
J. System Fan 7 Header	■ With hot swap fan	■
K. CPU Fan 1 Header		■
L. CPU Fan 2 Header		■

Optional Connections		Intel® Server Chassis P4000M
M. Serial B		■
N. Storage Upgrade Key (Optional)		■
O. USB 4/5		■
P. IPMB	■ With hot swap backplane only	■
Q. SAS/SATA		■
R. SATA		■
S. RMM4 Lite		■
T. Chassis Intrusion		■
U. RMM4 NIC		■
V. HSBP 1°C	■ With hot swap backplane only	■
W. SATA SGPIO	■ With hot swap backplane only	■
X. eUSB_SSD		■
Y. TPM		■
Z. USB 6/7 (to front panel)		■
AA. LCP		■
AB. PMBus	■ With redundant power supply only	■
AC. SAS Module Connector		■

