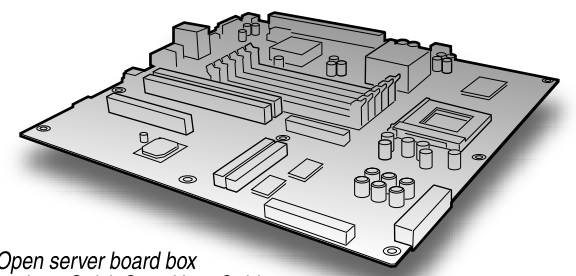


**10** Install the Server Board

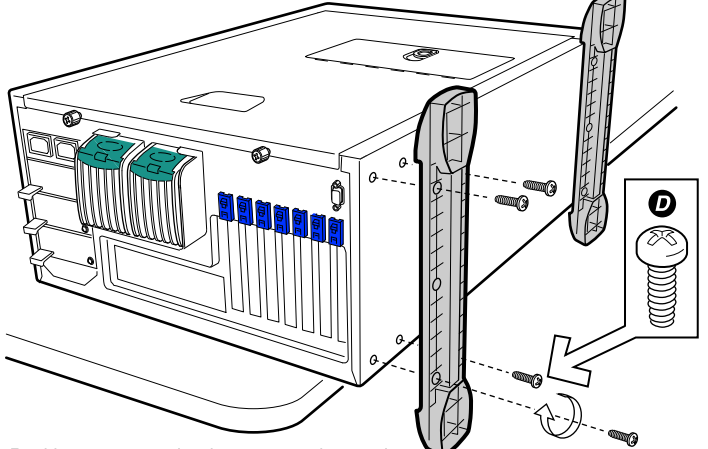


1. Open server board box and get Quick Start User Guide.
2. Install server board.  
**Note:** When installing processor[s], do not install a fan on the heat sink.

**Closing the Chassis**

1. Place the duct that covers the processor[s] into the chassis.
2. Place the duct that covers the PCI slots into the chassis.
3. Replace the access cover.

**11** Installing Chassis Feet - pedestal only

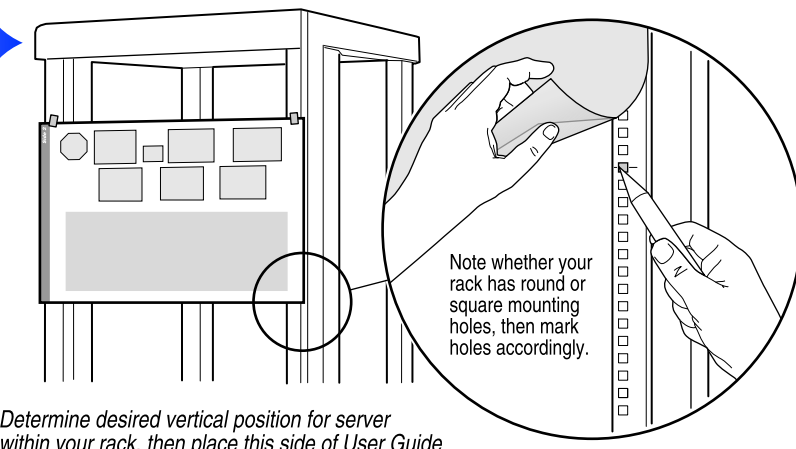


Position server so that bottom panel extends over a raised flat surface to install feet.

**Rack Configuration continues here**

**⚠** See the Product Guide for complete Safety Information. Do not attempt to lift or move the server by the handles on the power supplies or the rear fan assembly. Use only a hand-truck or other mechanical assist unit to move the server from one location to another.

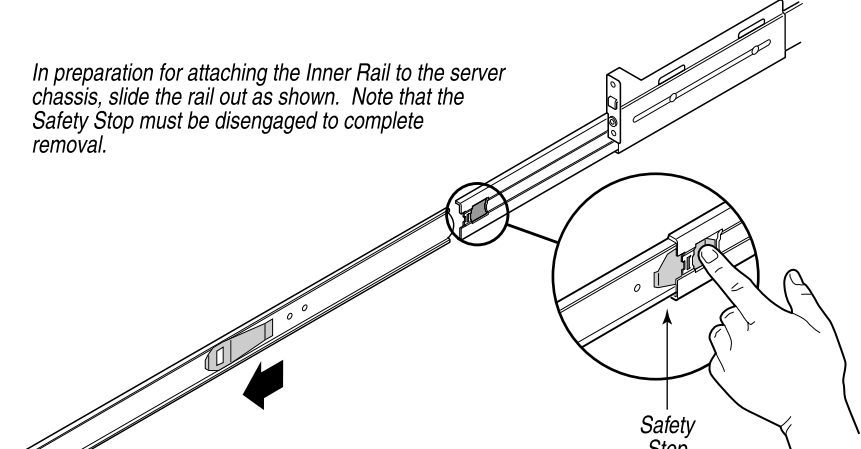
**12** Marking Rack Mounting Holes



Note whether your rack has round or square mounting holes, then mark holes accordingly.

Determine desired vertical position for server within your rack, then place this side of User Guide on face of rack as shown.

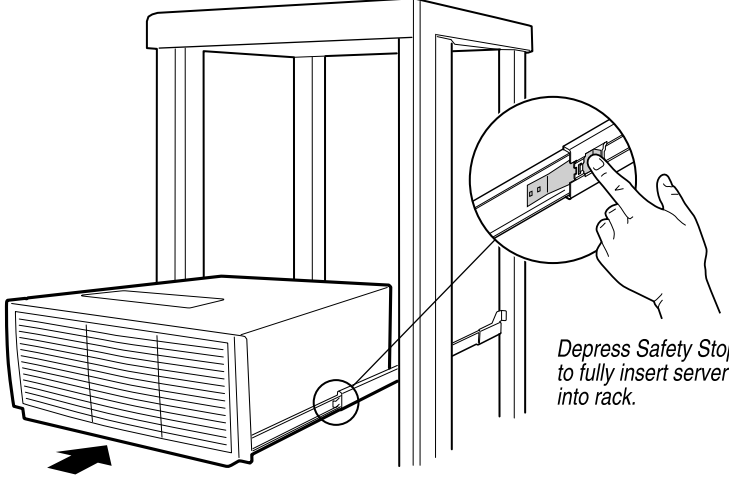
**13** Slide Inner Rail out of Rail Assembly



In preparation for attaching the Inner Rail to the server chassis, slide the rail out as shown. Note that the Safety Stop must be disengaged to complete removal.

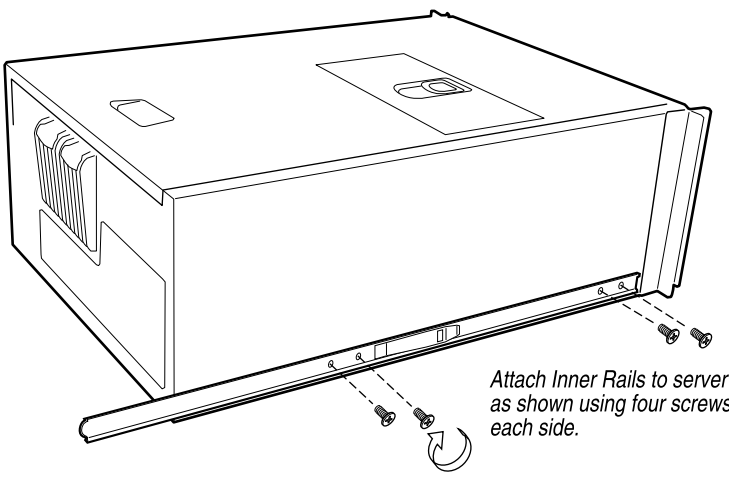
**16** Installing Server into Rack

**Caution:** Installing the system into misaligned rail assemblies can damage the rail assemblies. Before installing the system, ensure that the rail assemblies are installed at the same height and parallel to each other.



Depress Safety Stop to fully insert server into rack.

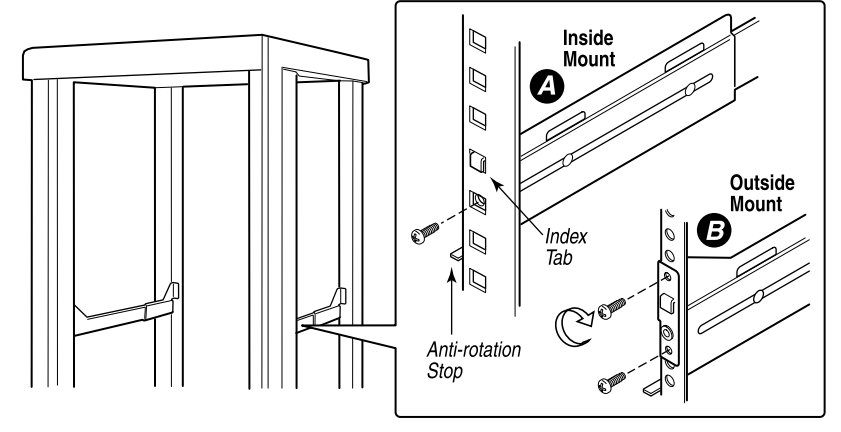
**15** Attach Inner Rails to Server



Attach Inner Rails to server as shown using four screws each side.

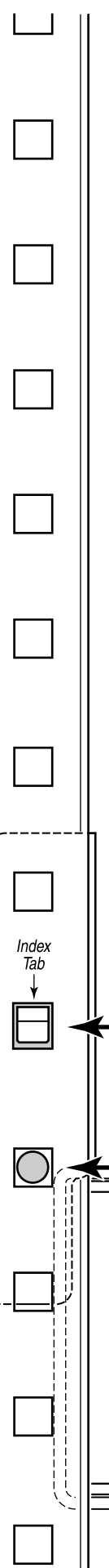
**14** Attach Rail Assemblies to Rack

Rail Assembly attachment to the rack is determined by type of mounting holes. Rail flange attaches INSIDE for square holes and OUTSIDE for round holes. For Inside Mount racks, use type D screws included with your chassis. For Outside Mount racks, refer to your rack documentation for information on the proper mounting screws to use.

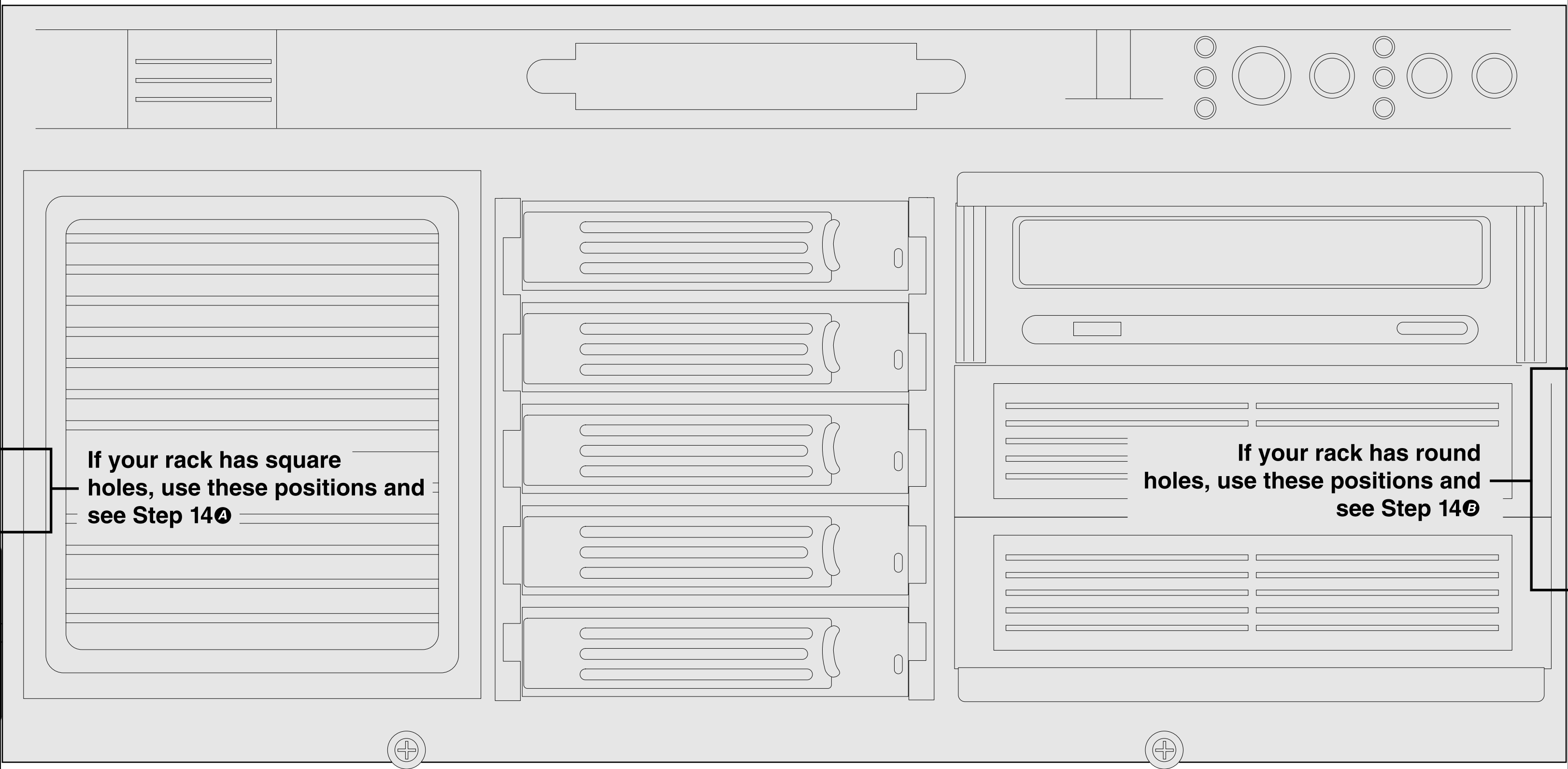


**A** Inside Mount  
**B** Outside Mount  
Index Tab  
Anti-rotation Stop

Rail flange on BACK side of rack post



If your rack has square holes, use these positions and see Step 14Ⓐ



If your rack has round holes, use these positions and see Step 14Ⓑ

Rail flange on FRONT side of rack post

