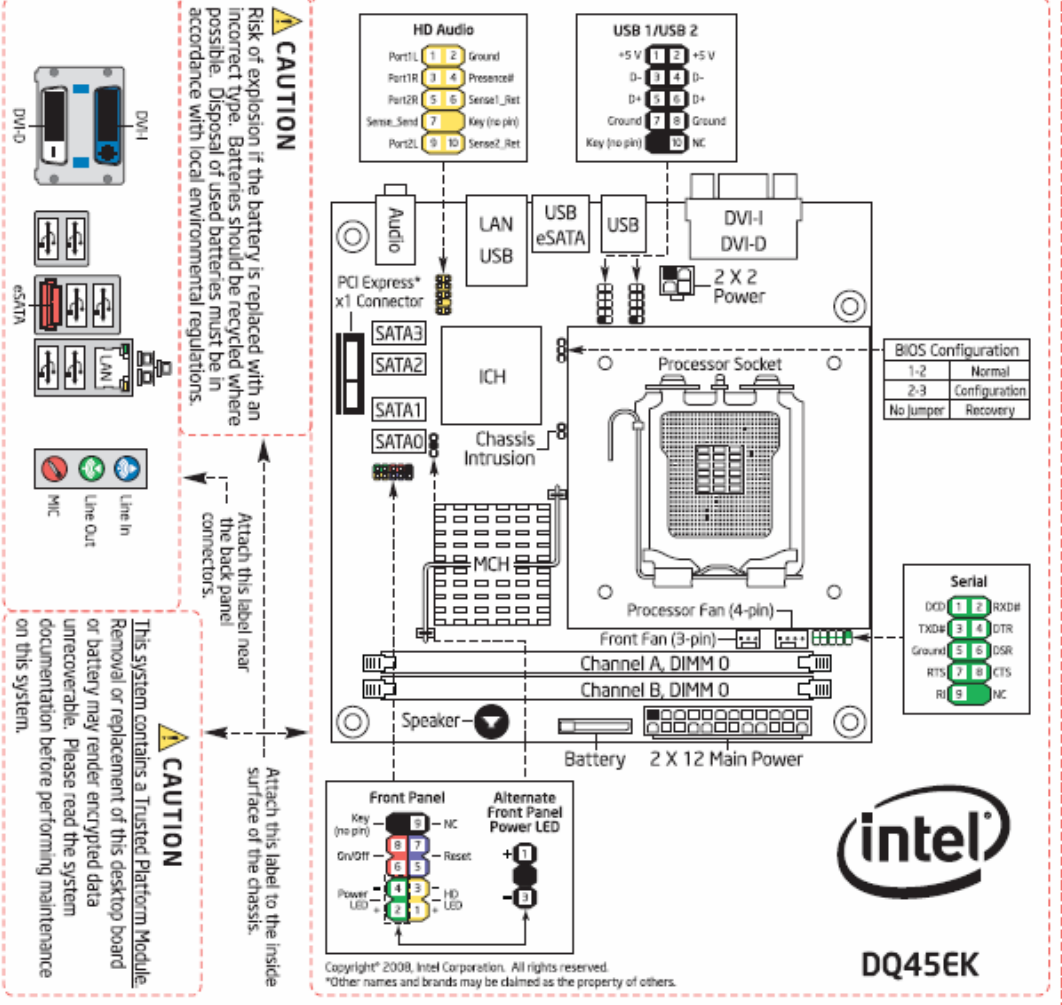
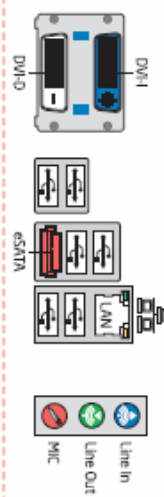


E37726-001



CAUTION

Risk of explosion if the battery is replaced with an incorrect type. Batteries should be recycled where possible. Dispose of used batteries must be in accordance with local environmental regulations.

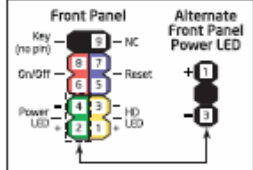


Attach this label near the back panel connectors.

CAUTION

This system contains a Trusted Platform Module. Removal or replacement of this desktop board or battery may render encrypted data unrecoverable. Please read the system documentation before performing maintenance on this system.

Attach this label to the inside surface of the chassis.



Copyright © 2008, Intel Corporation. All rights reserved.
 *Other names and brands may be claimed as the property of others.

