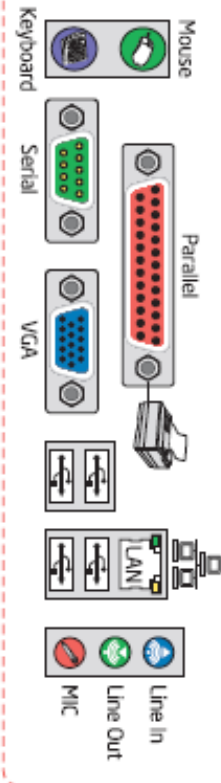


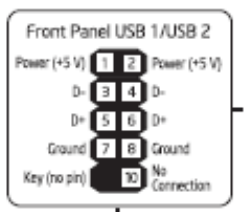
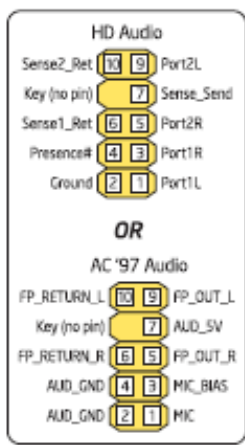
EG95574-001



Attach this label near the back panel connectors.

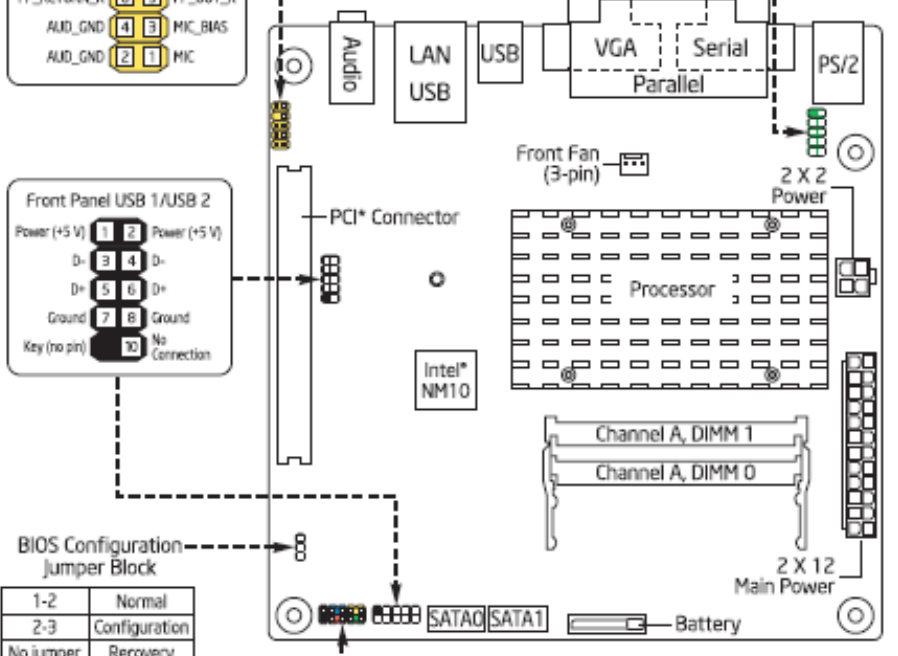
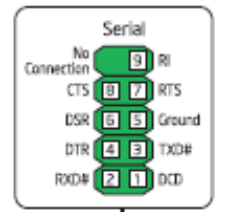
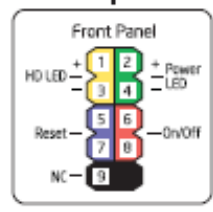
Attach this label to the inside surface of the chassis.

**CAUTION**  
 Risk of explosion if the battery is replaced with an incorrect type. Batteries should be recycled where possible. Disposal of used batteries must be in accordance with local environmental regulations.



**BIOS Configuration Jumper Block**

1-2	Normal
2-3	Configuration
No jumper	Recovery



D425KT



Copyright © 2010, Intel Corporation. All rights reserved.  
 \*Other names and brands may be claimed as the property of others.