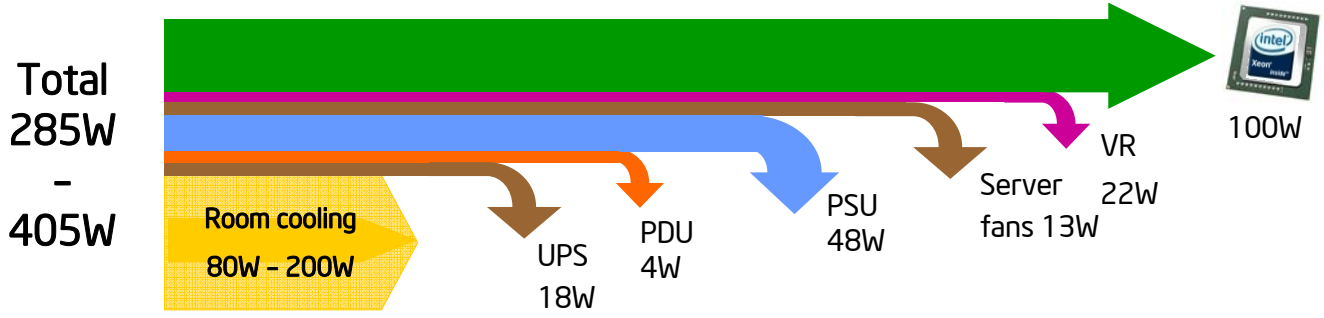
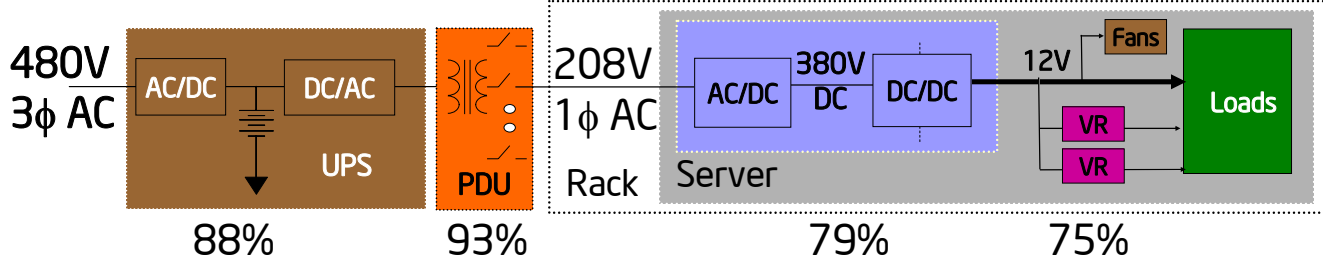
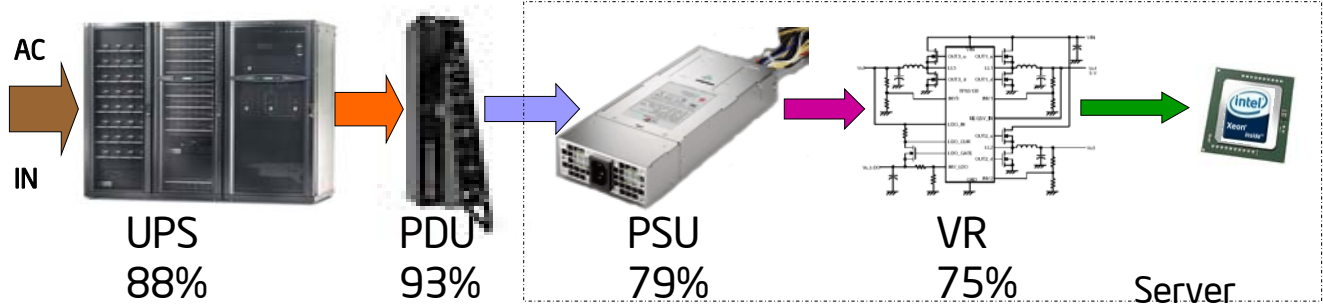


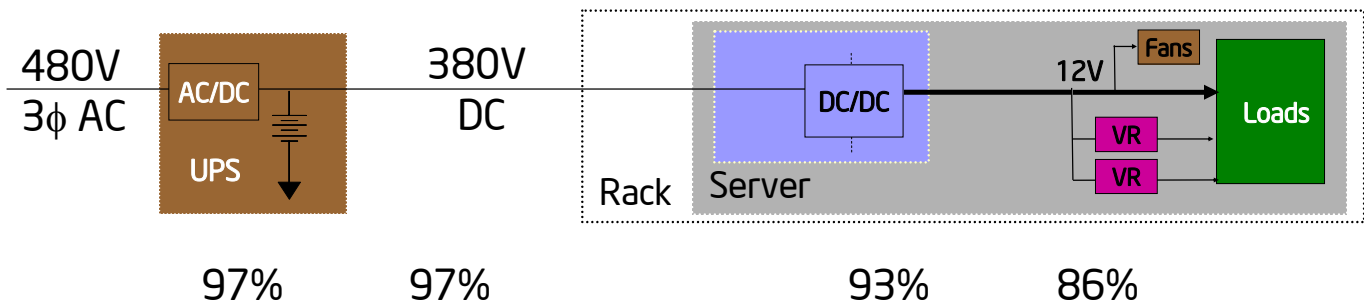
DC Distribution for Efficient Data Centers



Impacts:

- Low server density
- High energy costs (TCO)
- Cooling / Thermal constraints
- Difficult to meet energy standards

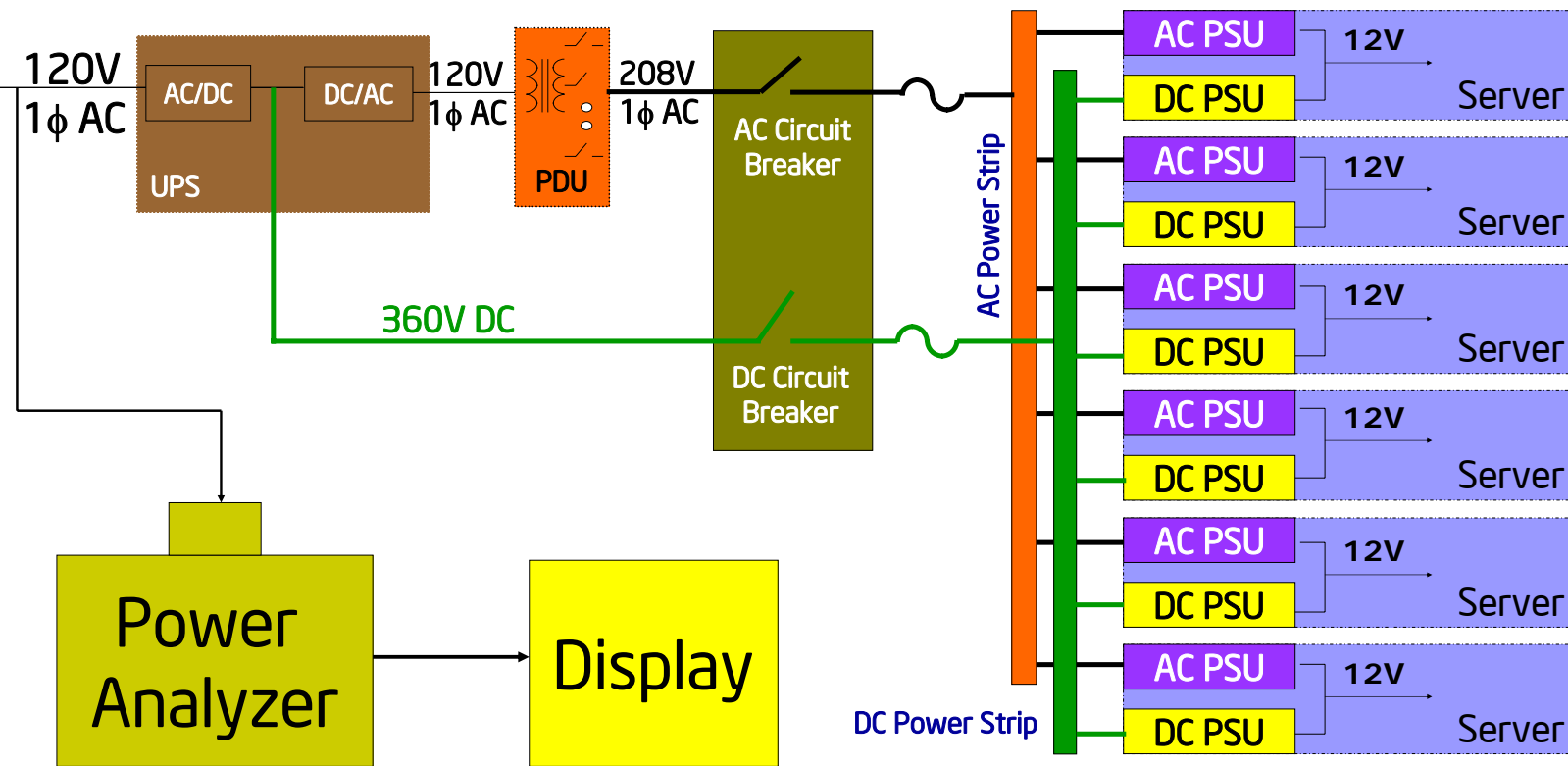
Power delivery efficiency in data centers ~ 50%



- Eliminate multiple conversion stages
1 DC / AC conversion stage in the UPS; 1 AC / DC conversion stage in PSU; Eliminate the PDU
- 380V DC from Uninterruptible Power Supplies (UPS)

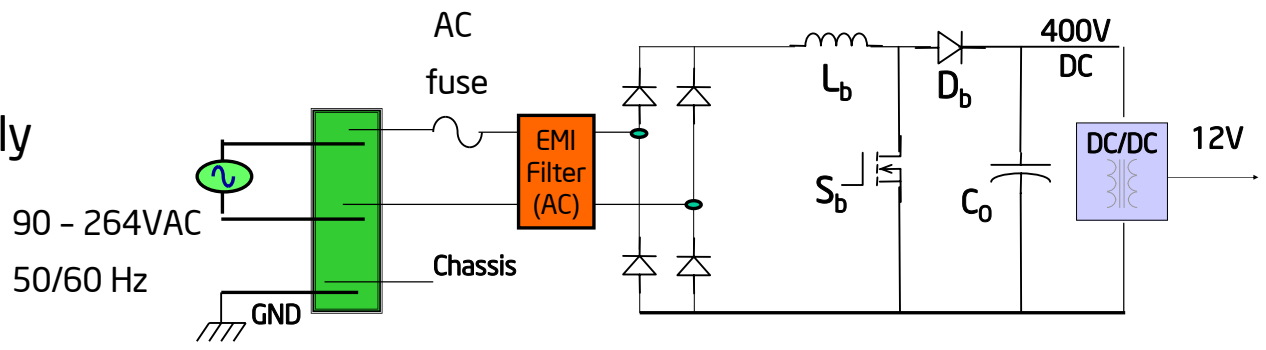


DC Distribution for Efficient Data Centers



Demonstration Set Up

AC Input Power Supply



DC Input Power Supply

